



US00D675435S

(12) **United States Design Patent**  
**Ou**

(10) **Patent No.:** **US D675,435 S**

(45) **Date of Patent:** **\*\* Feb. 5, 2013**

(54) **TOOL BOX**

(76) Inventor: **Yu-Hua Ou**, Taichung (TW)

(\*\*) Term: **14 Years**

(21) Appl. No.: **29/416,497**

(22) Filed: **Mar. 22, 2012**

(51) **LOC (9) Cl.** ..... **03-01**

(52) **U.S. Cl.** ..... **D3/294**

(58) **Field of Classification Search** ..... D3/293-295,  
D3/273, 302, 905, 276, 283, 201; 206/349,  
206/372; D7/629; D30/133; D9/420; 220/523,  
220/4.21, 4.22

See application file for complete search history.

(56) **References Cited**

**U.S. PATENT DOCUMENTS**

D514,315 S \* 2/2006 Lai ..... D3/276  
D600,015 S \* 9/2009 Wenchel et al. .... D3/294  
D601,797 S \* 10/2009 Wenchel et al. .... D3/294

D608,094 S \* 1/2010 Concari et al. .... D3/282  
D634,930 S \* 3/2011 Lalo ..... D3/276  
D659,396 S \* 5/2012 Hsu ..... D3/294

\* cited by examiner

*Primary Examiner* — Sheryl Lane

(74) *Attorney, Agent, or Firm* — Muncy, Geissler, Olds & Lowe, PLLC

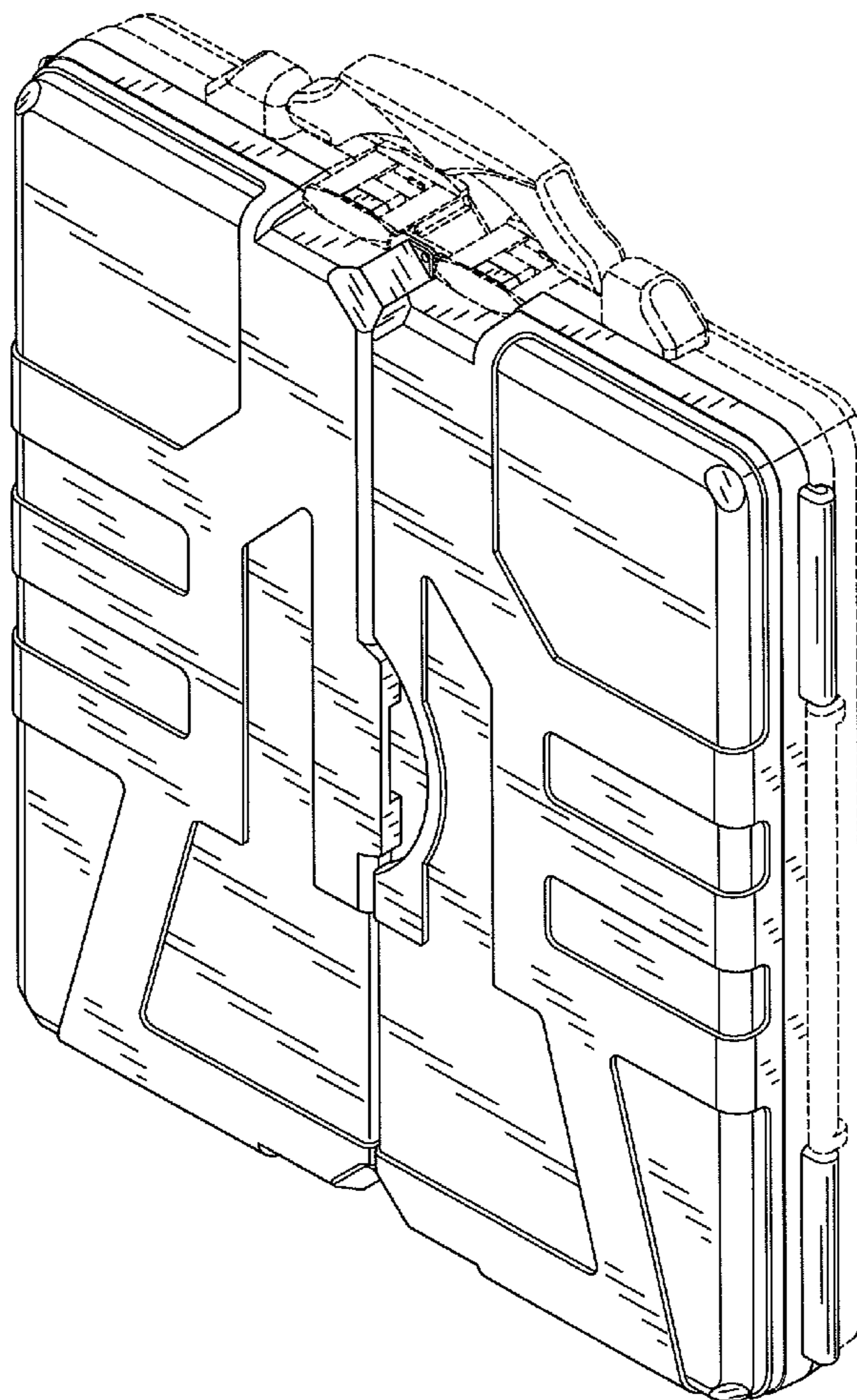
(57) **CLAIM**

I claim the ornamental design for a tool box, as shown and described.

**DESCRIPTION**

FIG. 1 is a perspective view of a tool box showing my new design;  
FIG. 2 is a front view thereof;  
FIG. 3 is a rear view thereof;  
FIG. 4 is a left view thereof;  
FIG. 5 is a right view thereof;  
FIG. 6 is a top plan view thereof; and,  
FIG. 7 is a bottom plan view thereof.  
The broken lines of the tool box form no part of the claimed design.

**1 Claim, 5 Drawing Sheets**



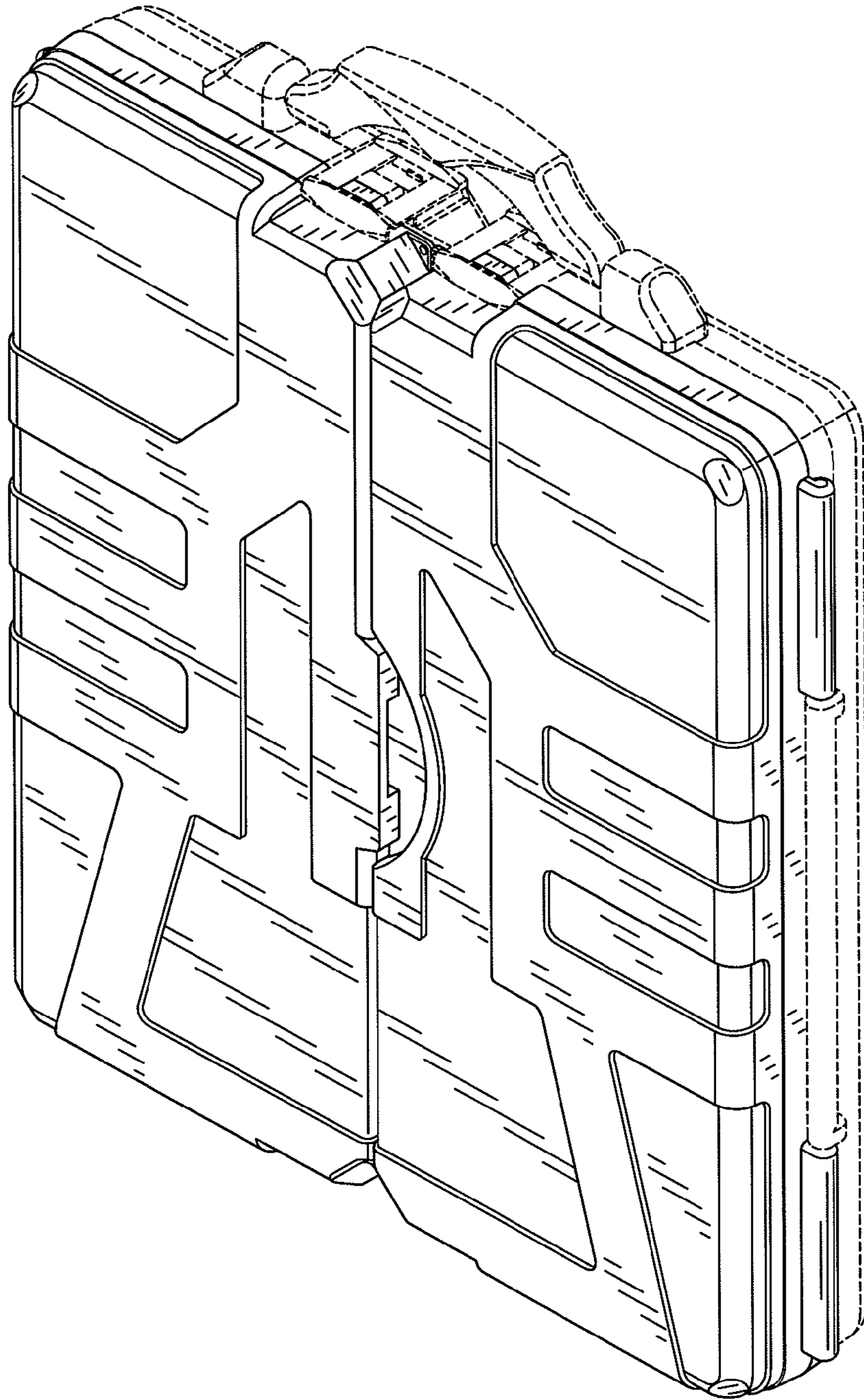


FIG. 1

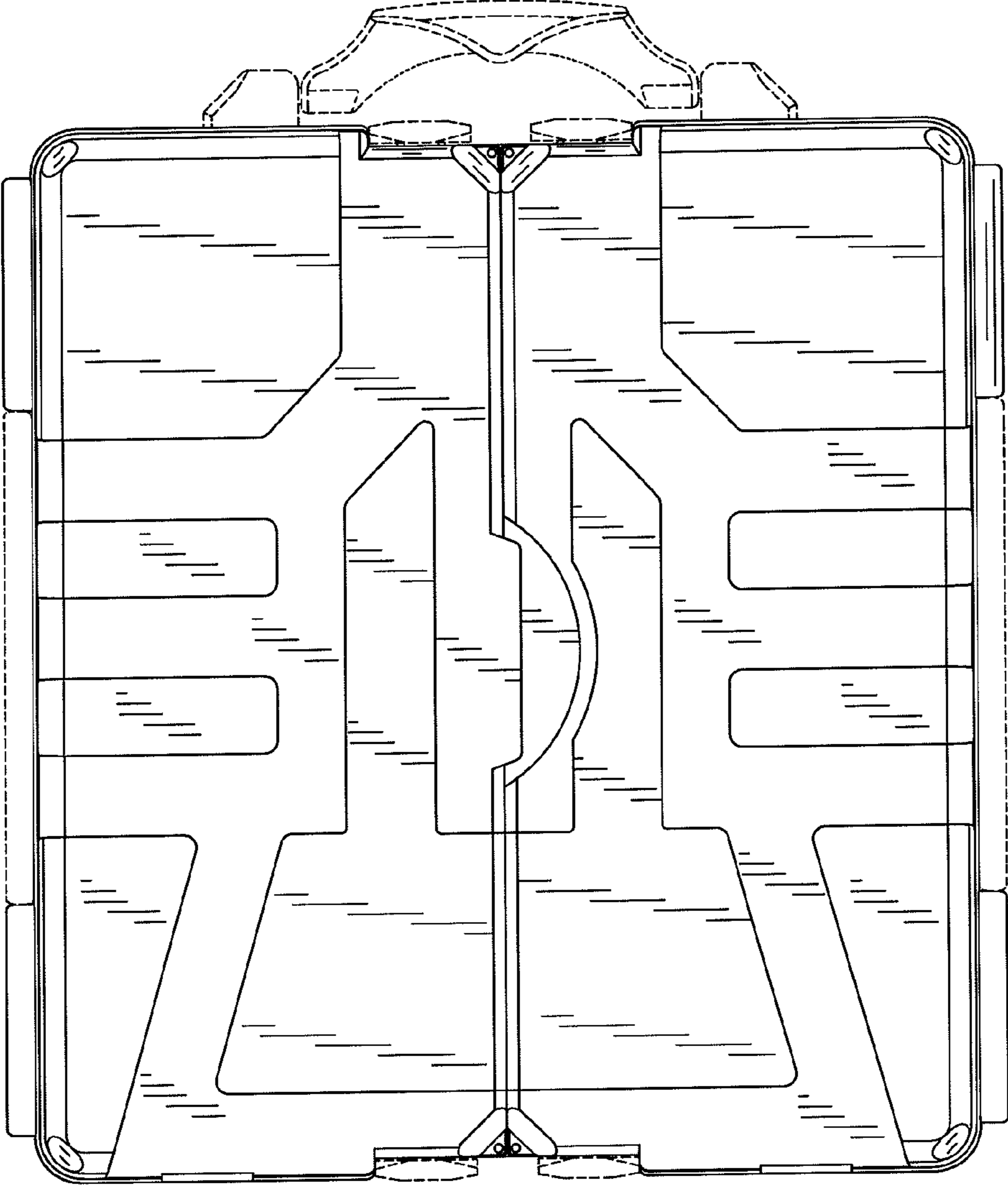


FIG. 2

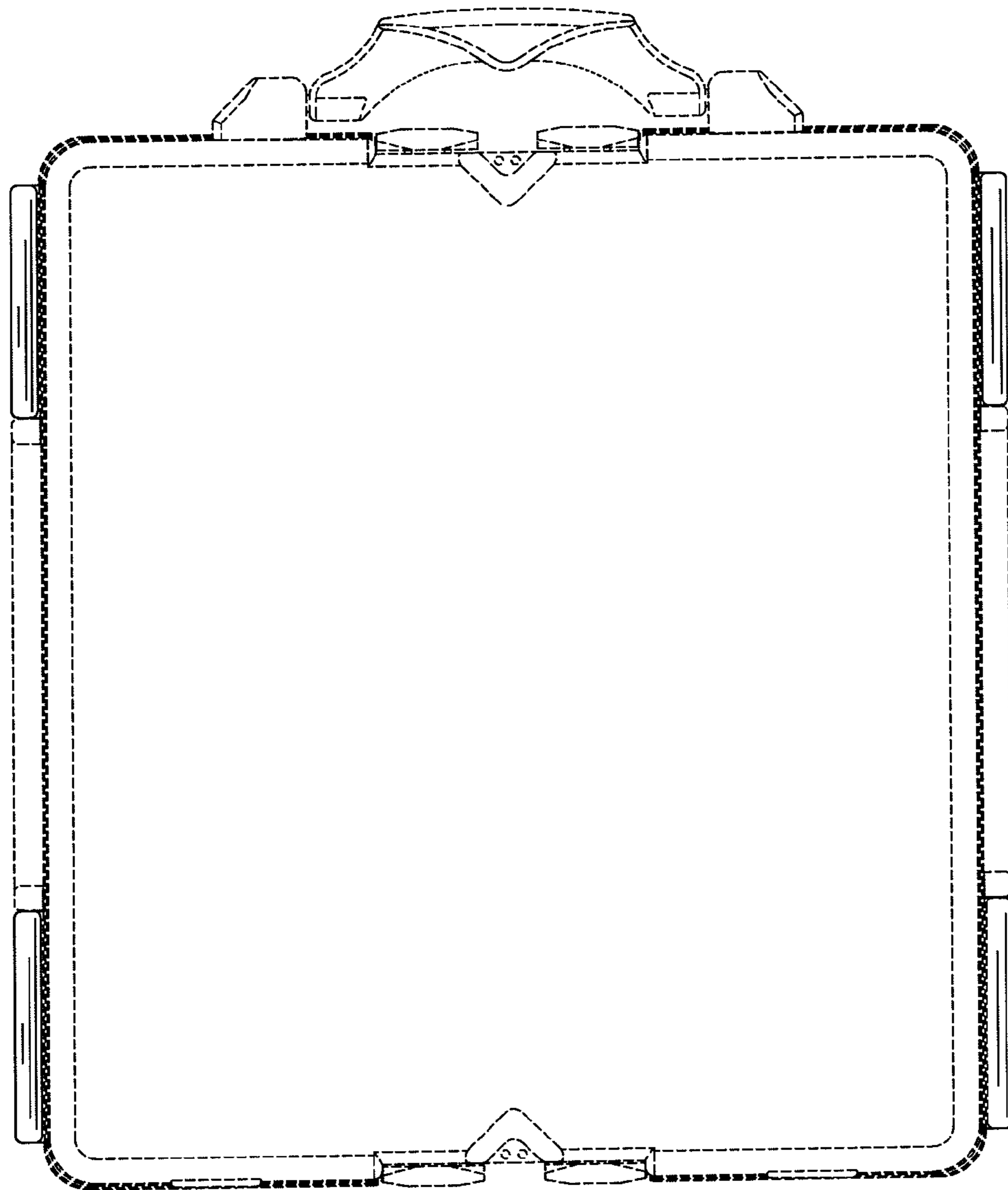


FIG. 3

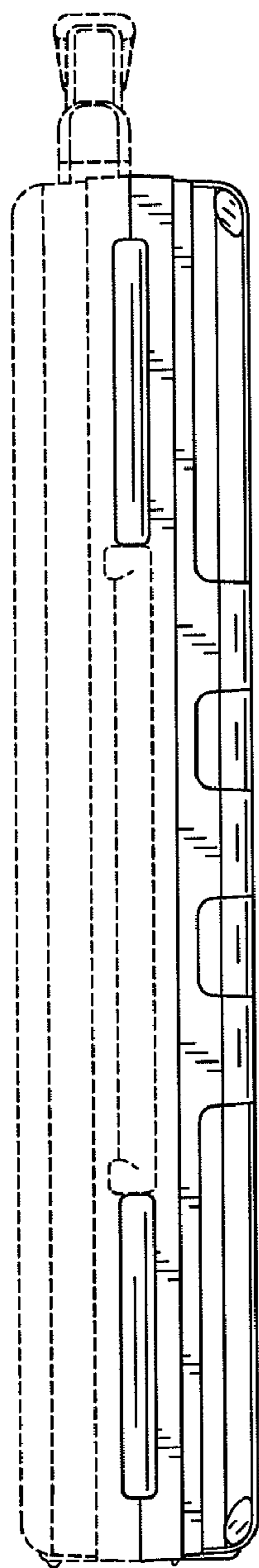


FIG. 4

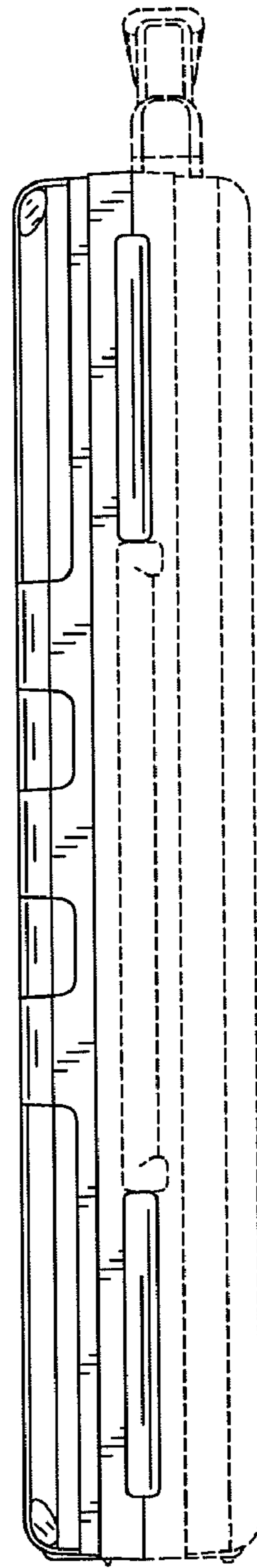


FIG. 5

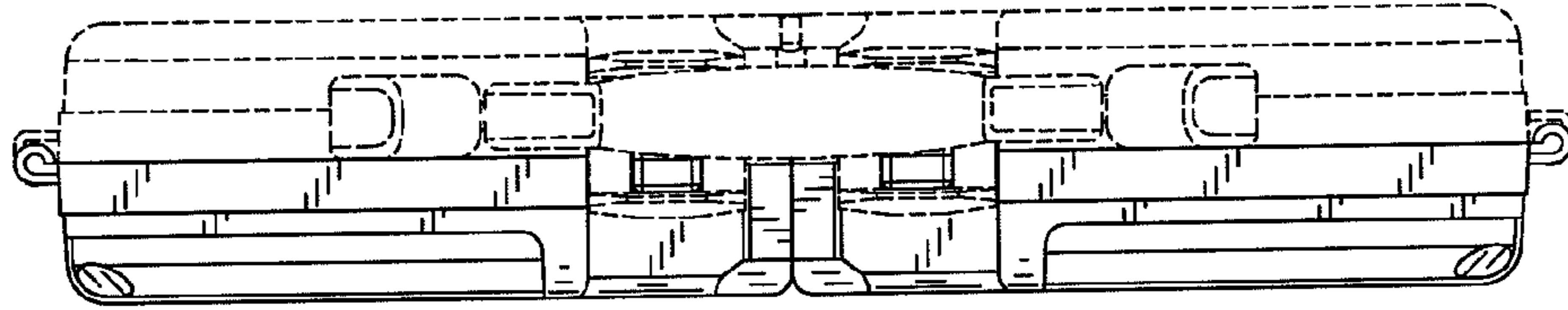


FIG. 6

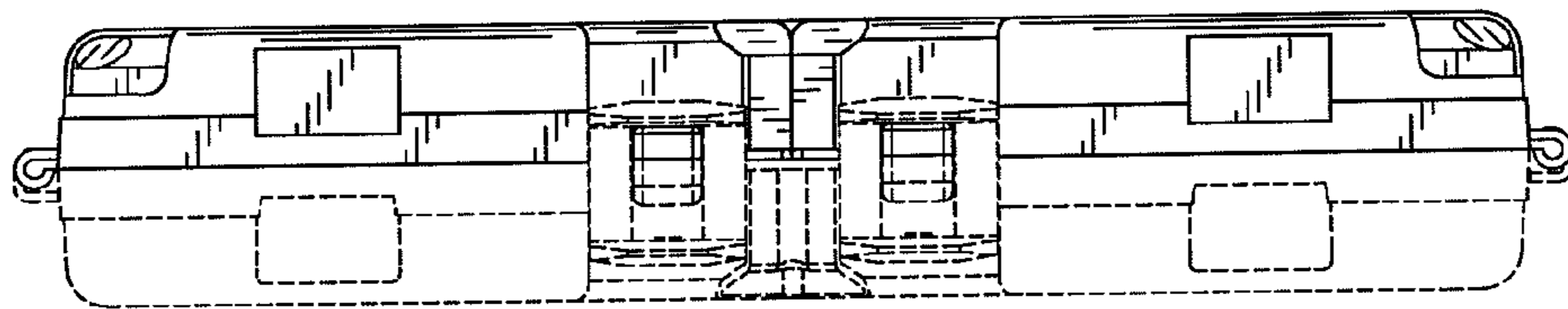


FIG. 7