



US00D675432S

(12) **United States Design Patent**
Scaffidi

(10) **Patent No.:** **US D675,432 S**

(45) **Date of Patent:** **** Feb. 5, 2013**

(54) **GOLF BAG**

(75) Inventor: **Antonio Scaffidi**, Copenhagen N (DK)

(73) Assignee: **ECCO Sko A/S**, Bredebro (DK)

(**) Term: **14 Years**

(21) Appl. No.: **29/402,443**

(22) Filed: **Sep. 23, 2011**

(30) **Foreign Application Priority Data**

Apr. 29, 2011 (EM) 001857285-0002

(51) **LOC (9) Cl.** **03-01**

(52) **U.S. Cl.** **D3/255**

(58) **Field of Classification Search** D3/255;
206/315, 2-315.8

See application file for complete search history.

(56) **References Cited**

U.S. PATENT DOCUMENTS

| | | | | | |
|-----------|-----|--------|------------------|-------|-----------|
| 3,674,072 | A * | 7/1972 | Shuto | | 206/315.6 |
| D413,018 | S * | 8/1999 | Boldig et al. | | D3/255 |
| D471,355 | S * | 3/2003 | Sanderson et al. | | D3/255 |
| D494,363 | S * | 8/2004 | Chuan | | D3/255 |
| D501,604 | S * | 2/2005 | Kadoya | | D3/320 |

* cited by examiner

Primary Examiner — Holly Baynham

(74) *Attorney, Agent, or Firm* — McCormick, Paulding & Huber LLP

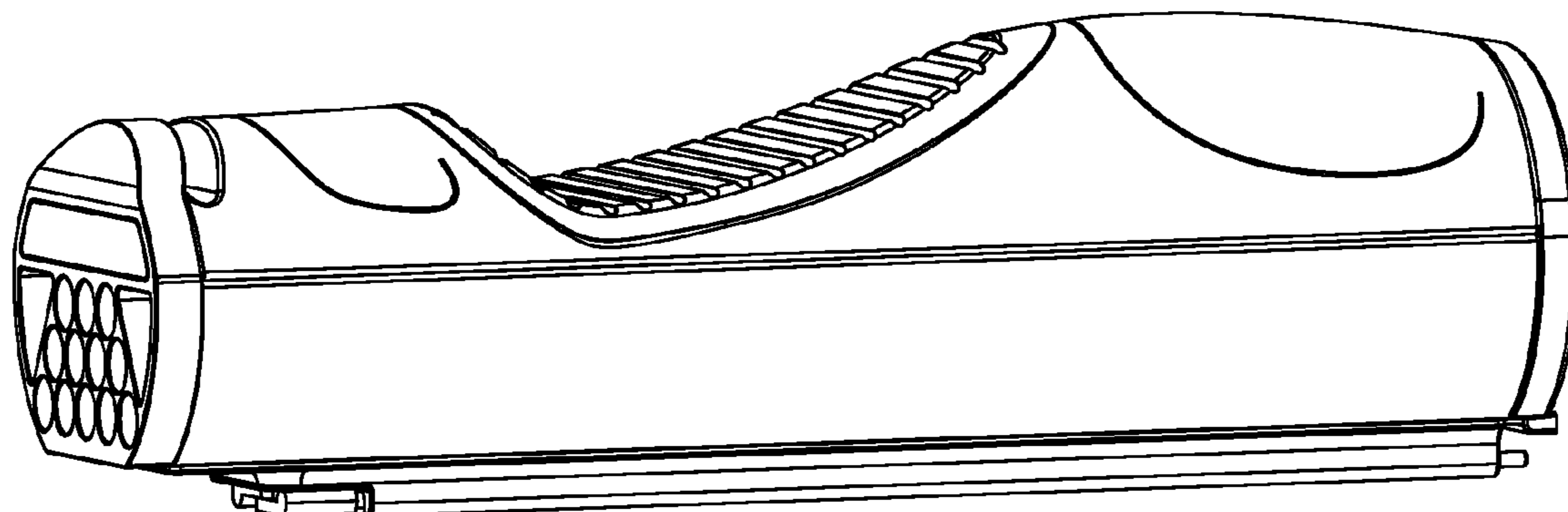
(57) **CLAIM**

The ornamental design for a golf bag, as shown and described.

DESCRIPTION

FIG. 1 is a front, top, left-hand side perspective view of a golf bag comprising a new, original and ornamental design;
 FIG. 2 is a front, top, left-hand side perspective view of a golf bag comprising the new, original and ornamental design;
 FIG. 3 is a top, right-hand side perspective view of a golf bag comprising the new, original and ornamental design;
 FIG. 4 is a front, top, right-hand side perspective view of a golf bag comprising the new, original and ornamental design;
 FIG. 5 is a front, top, right-hand side perspective view of a golf bag comprising the new, original and ornamental design;
 FIG. 6 is a front, bottom, left-hand side perspective view of a golf bag comprising the new, original and ornamental design;
 FIG. 7 is a bottom, left-hand side perspective view of a golf bag comprising the new, original and ornamental design;
 FIG. 8 is a front view of a golf bag comprising the new, original and ornamental design;
 FIG. 9 is a left-hand side view of a golf bag comprising the new, original and ornamental design;
 FIG. 10 is a right-hand side view of a golf bag comprising the new, original and ornamental design;
 FIG. 11 is a top view of a golf bag comprising the new, original and ornamental design; and,
 FIG. 12 is a bottom view of a golf bag comprising the new, original and ornamental design.

1 Claim, 5 Drawing Sheets



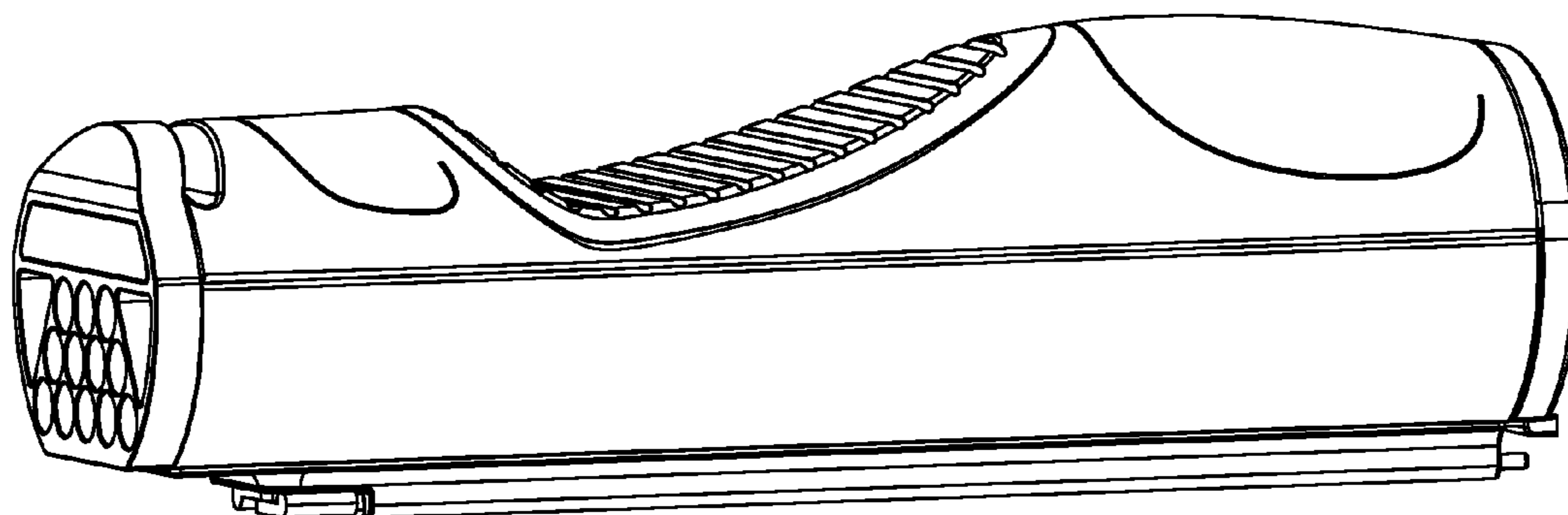


FIG. 1

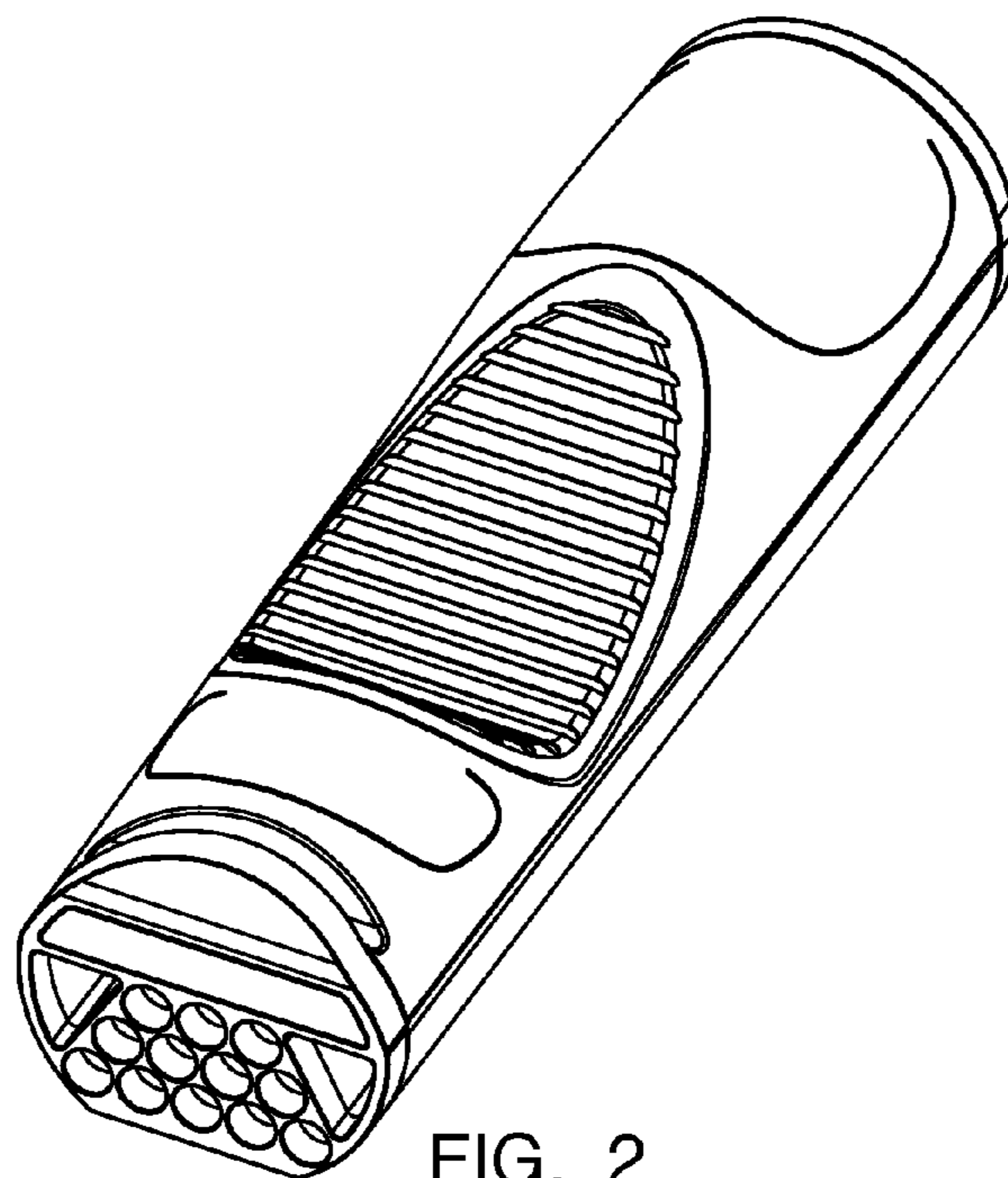


FIG. 2

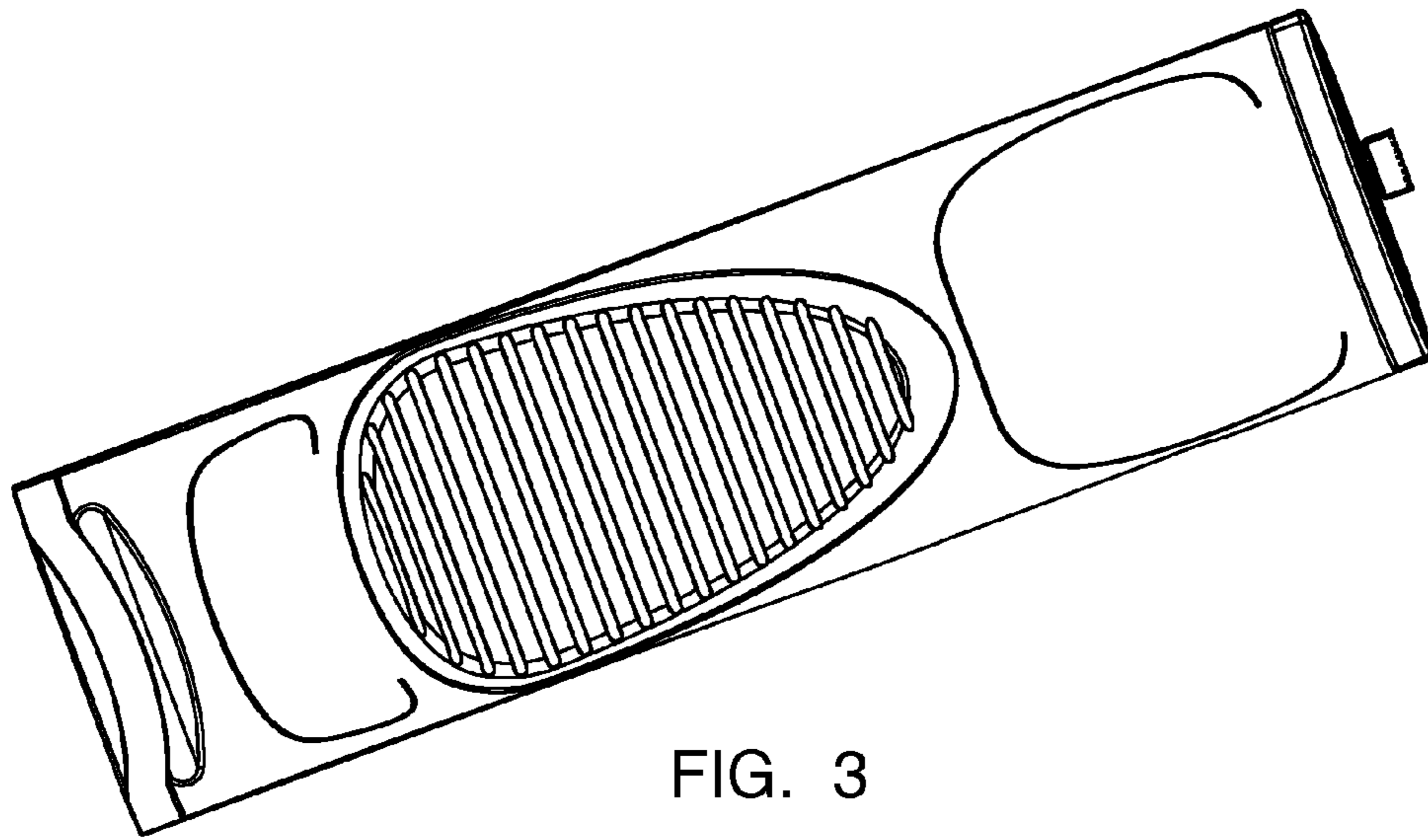


FIG. 3

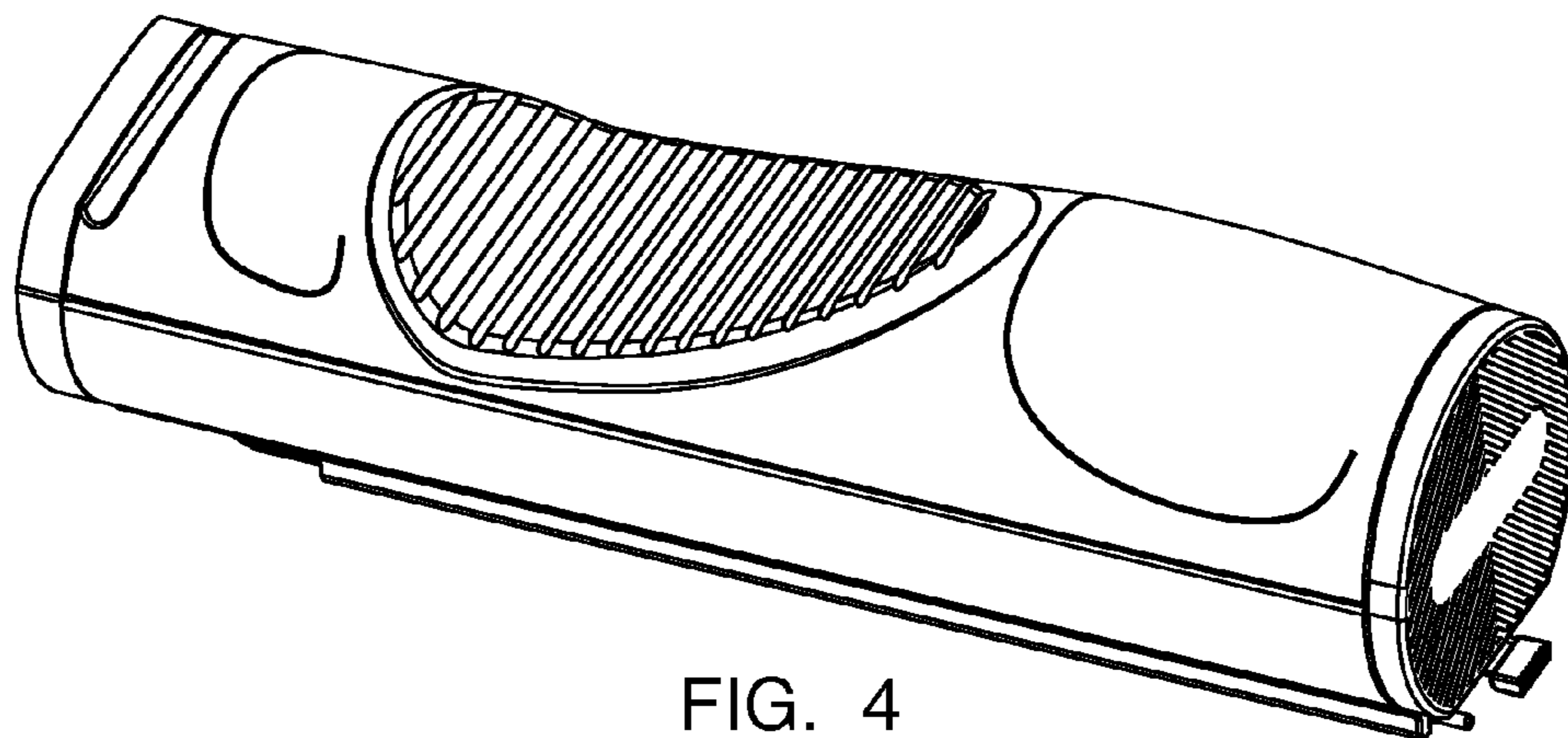


FIG. 4

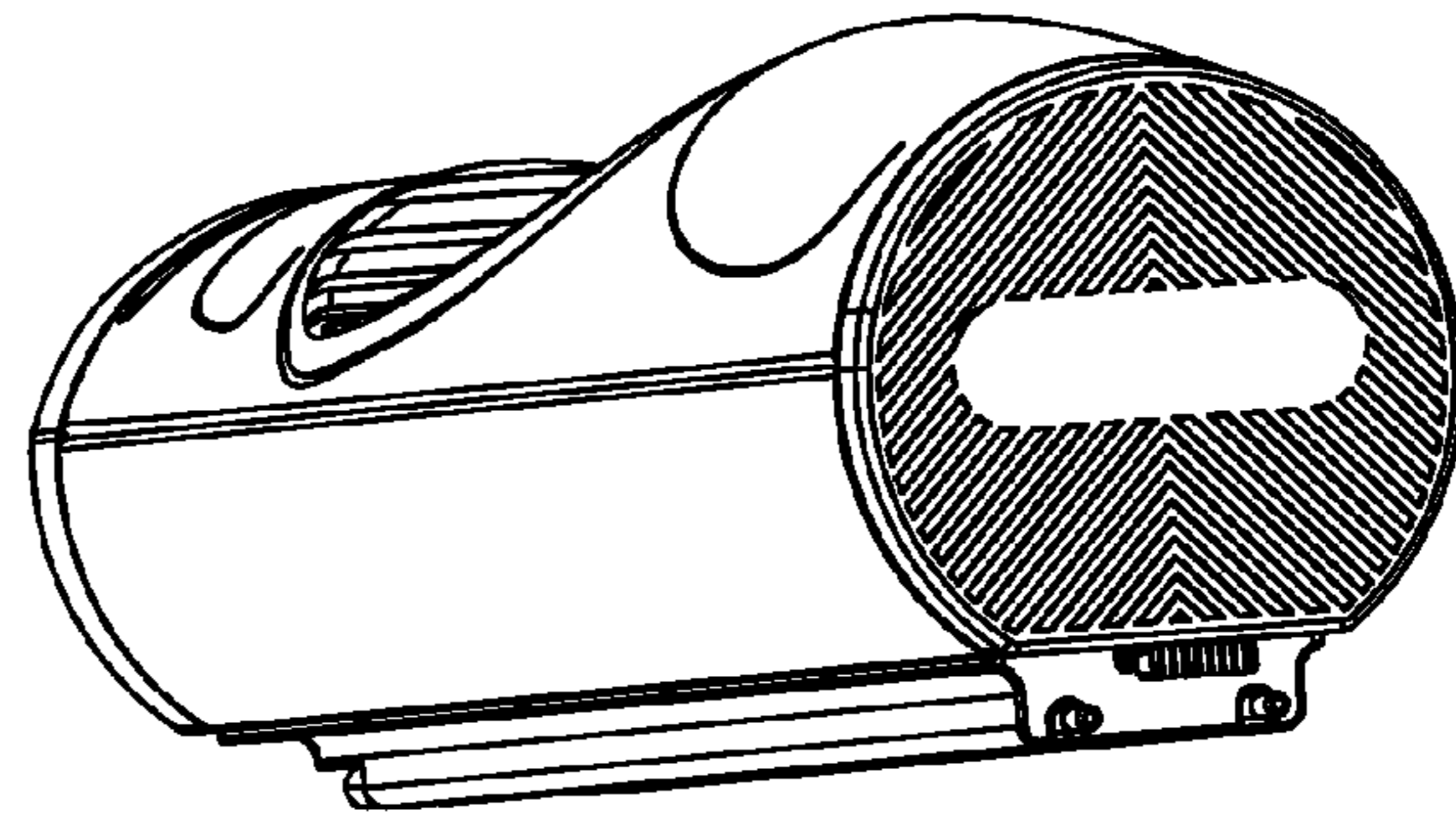


FIG. 5

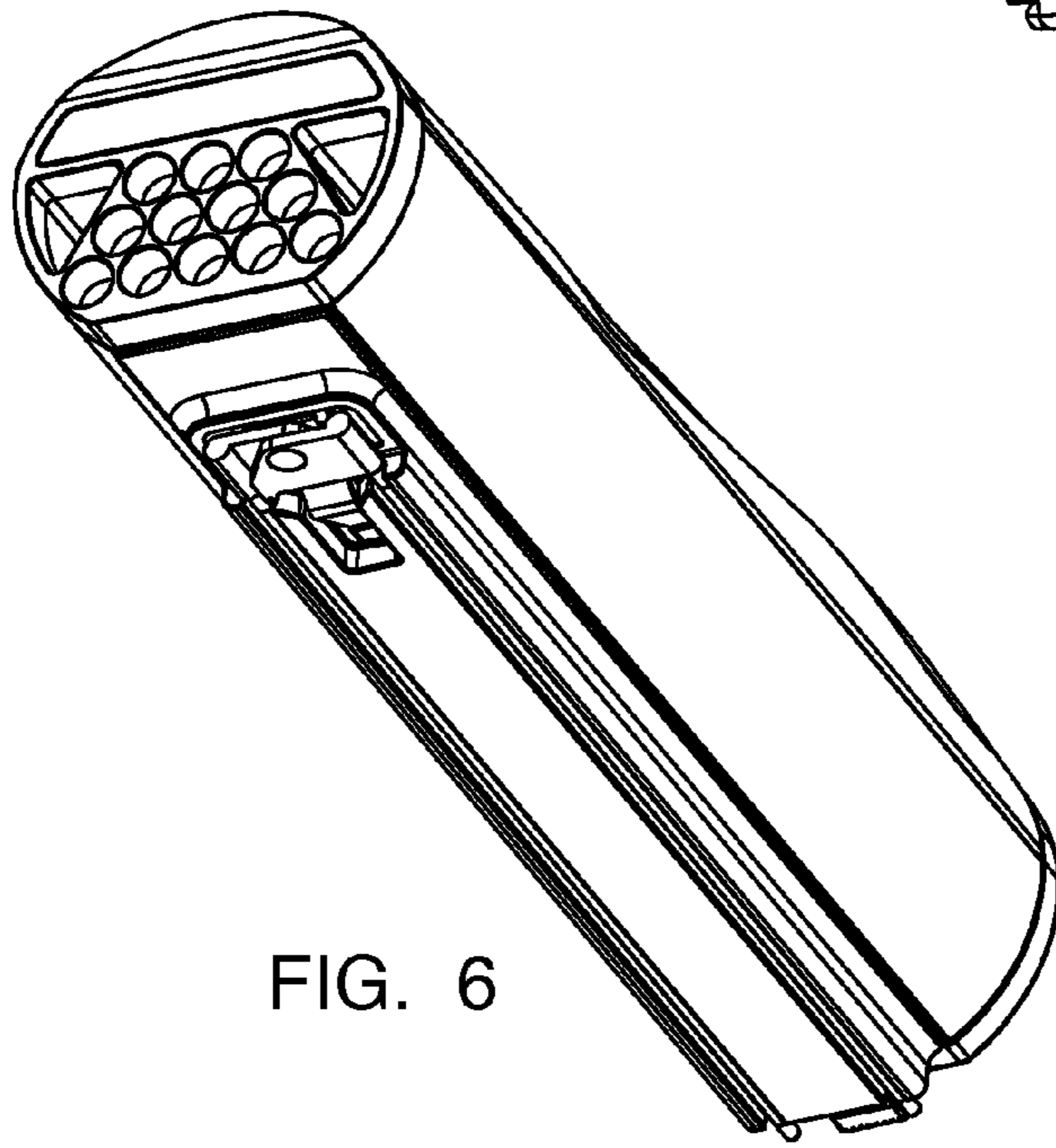


FIG. 6

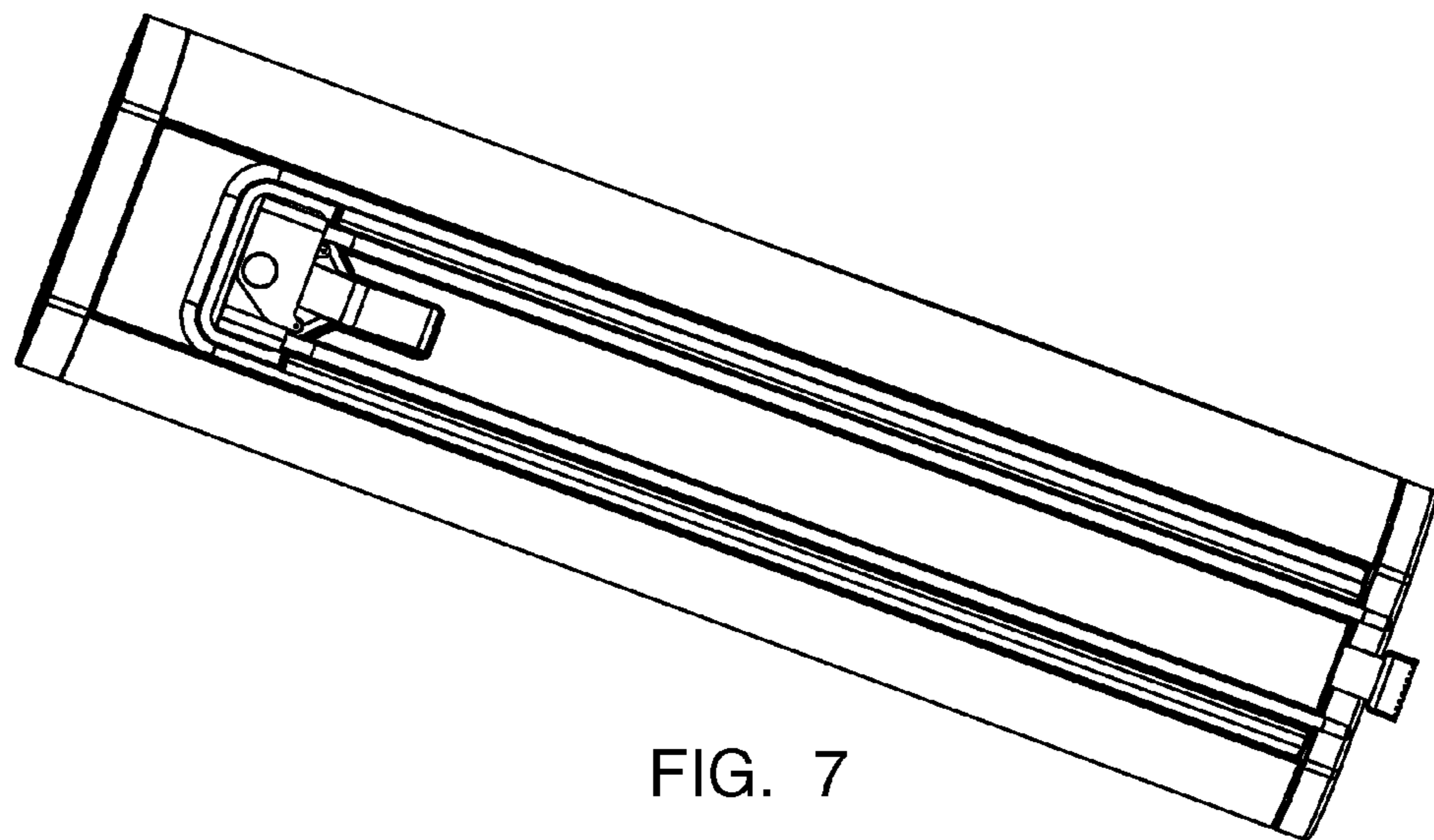


FIG. 7

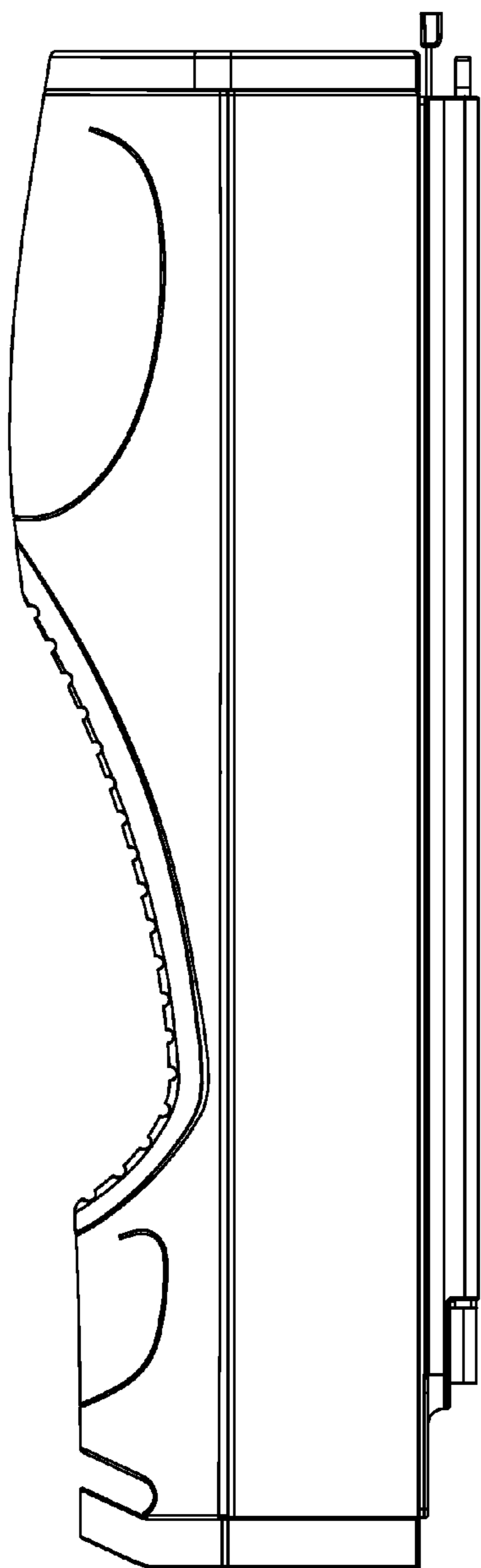


FIG. 8

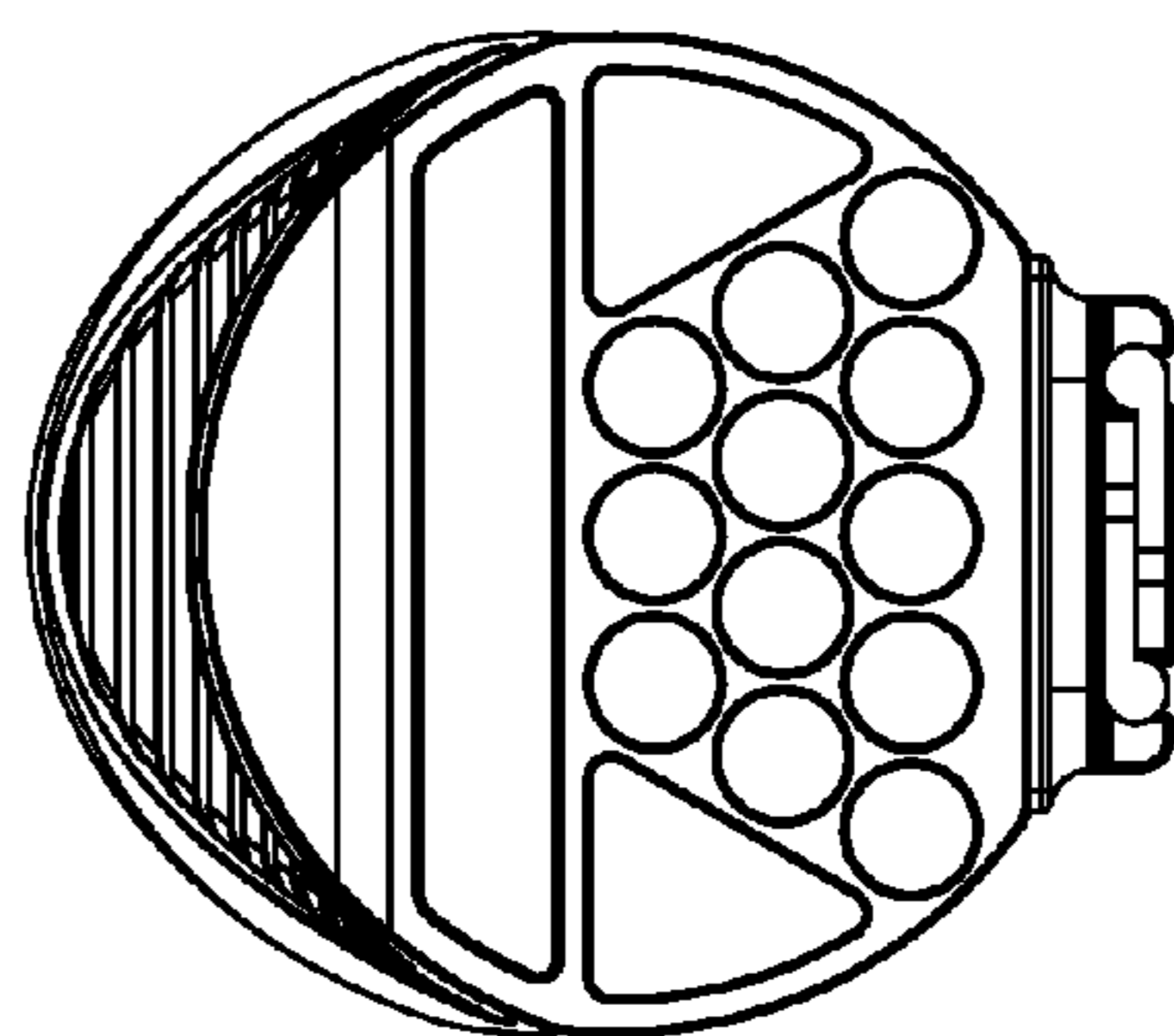


FIG. 9

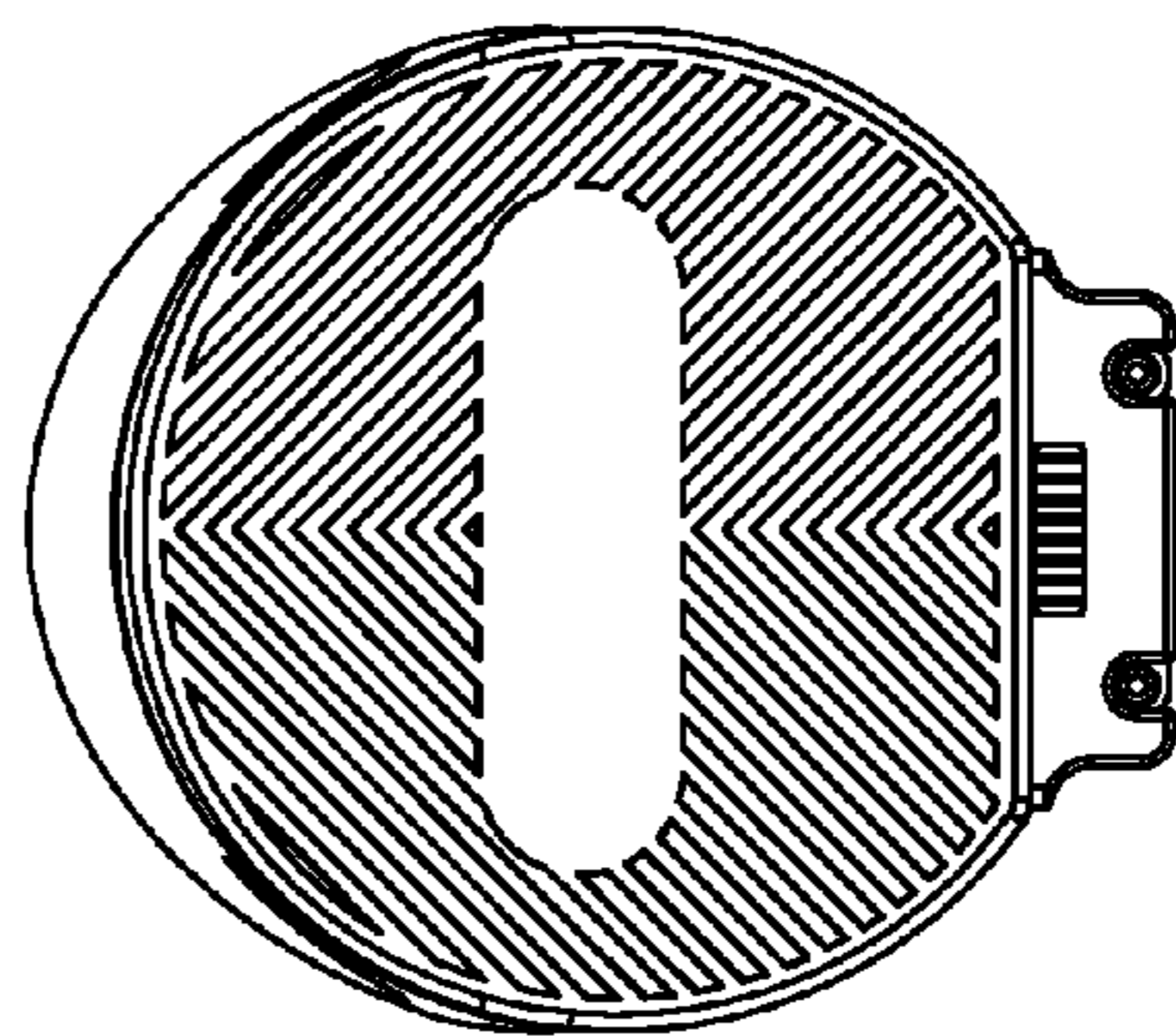


FIG. 10

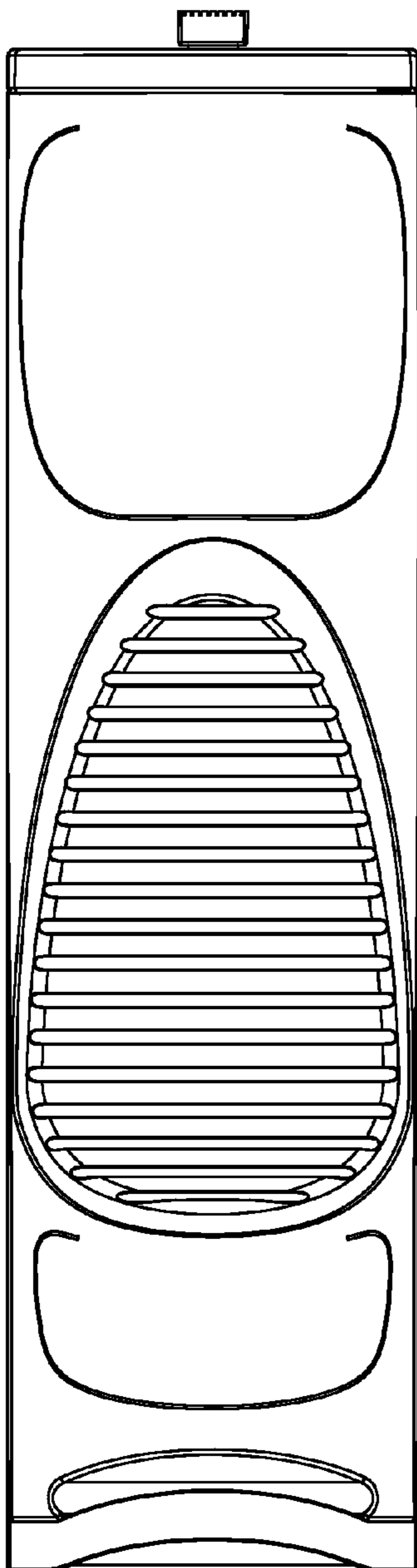


FIG. 11

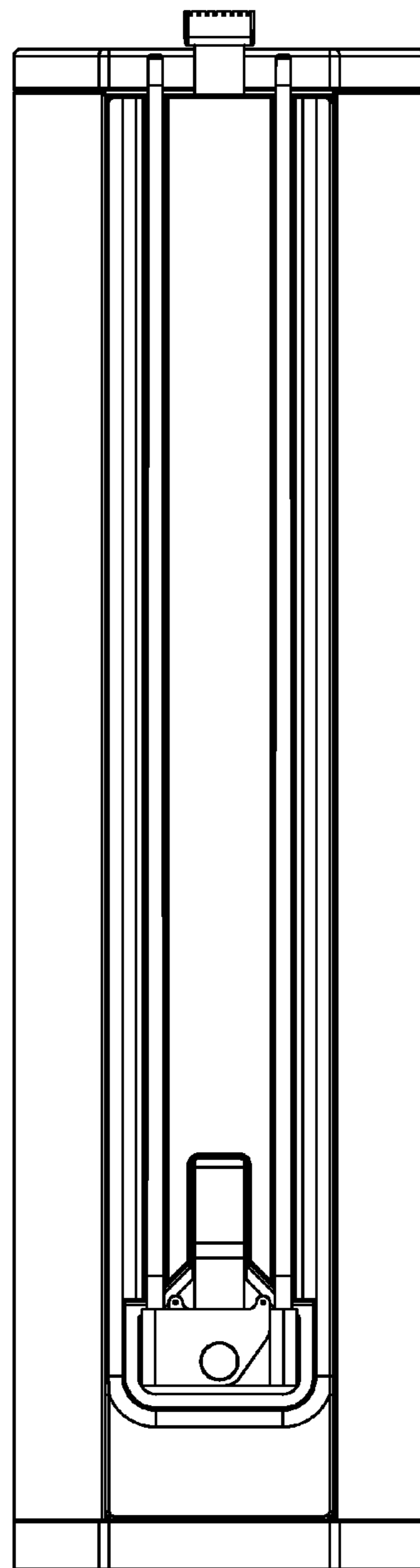


FIG. 12