



US00D675431S

(12) **United States Design Patent**
Tang

(10) **Patent No.:** **US D675,431 S**

(45) **Date of Patent:** **** Feb. 5, 2013**

(54) **GOLF BAG BASE**

(75) Inventor: **Larry G. Tang**, Carlsbad, CA (US)

(73) Assignee: **Callaway Golf Company**, Carlsbad, CA (US)

(**) Term: **14 Years**

(21) Appl. No.: **29/385,220**

(22) Filed: **Feb. 10, 2011**

(51) **LOC (9) Cl.** **03-01**

(52) **U.S. Cl.** **D3/255**

(58) **Field of Classification Search** D3/320,
D3/328.1, 254, 255, 259, 905, 321; D34/12,
D34/15, 27; 211/70.2; 248/95, 96;
206/315.2-315.8; 280/47.26
See application file for complete search history.

(56) **References Cited**

U.S. PATENT DOCUMENTS

D208,481	S	*	9/1967	Murray, Jr.	D3/321
D372,362	S	*	8/1996	Bryant et al.	D3/320
D389,650	S	*	1/1998	Rhee	D3/320
5,924,709	A	*	7/1999	Yang	280/47.26
D421,839	S	*	3/2000	Beck et al.	D3/259
D435,723	S	*	1/2001	Shin	D3/255
6,318,682	B1	*	11/2001	Chen	248/96
6,513,816	B1	*	2/2003	Kijima	280/47.26

D472,376	S	*	4/2003	Wampler et al.	D3/255
D487,543	S	*	3/2004	Chang	D3/255
D524,055	S	*	7/2006	Cheng	D3/328.1
7,445,115	B2	*	11/2008	Tan	206/315.7
7,617,931	B2	*	11/2009	Shiao	206/315.7
2006/0118442	A1	*	6/2006	Tan	206/315.7

* cited by examiner

Primary Examiner — Robert M Spear

Assistant Examiner — Rashida C McCoy

(74) *Attorney, Agent, or Firm* — Rebecca Hanovice;
Michael A. Catania; Sonia Lari

(57) **CLAIM**

The ornamental design for a golf bag base, as shown and described.

DESCRIPTION

FIG. 1 is a top perspective view of a golf bag base as claimed herein;

FIG. 2 is a back side view thereof;

FIG. 3 is a front side view thereof;

FIG. 4 is a right side view thereof;

FIG. 5 is a left side view thereof;

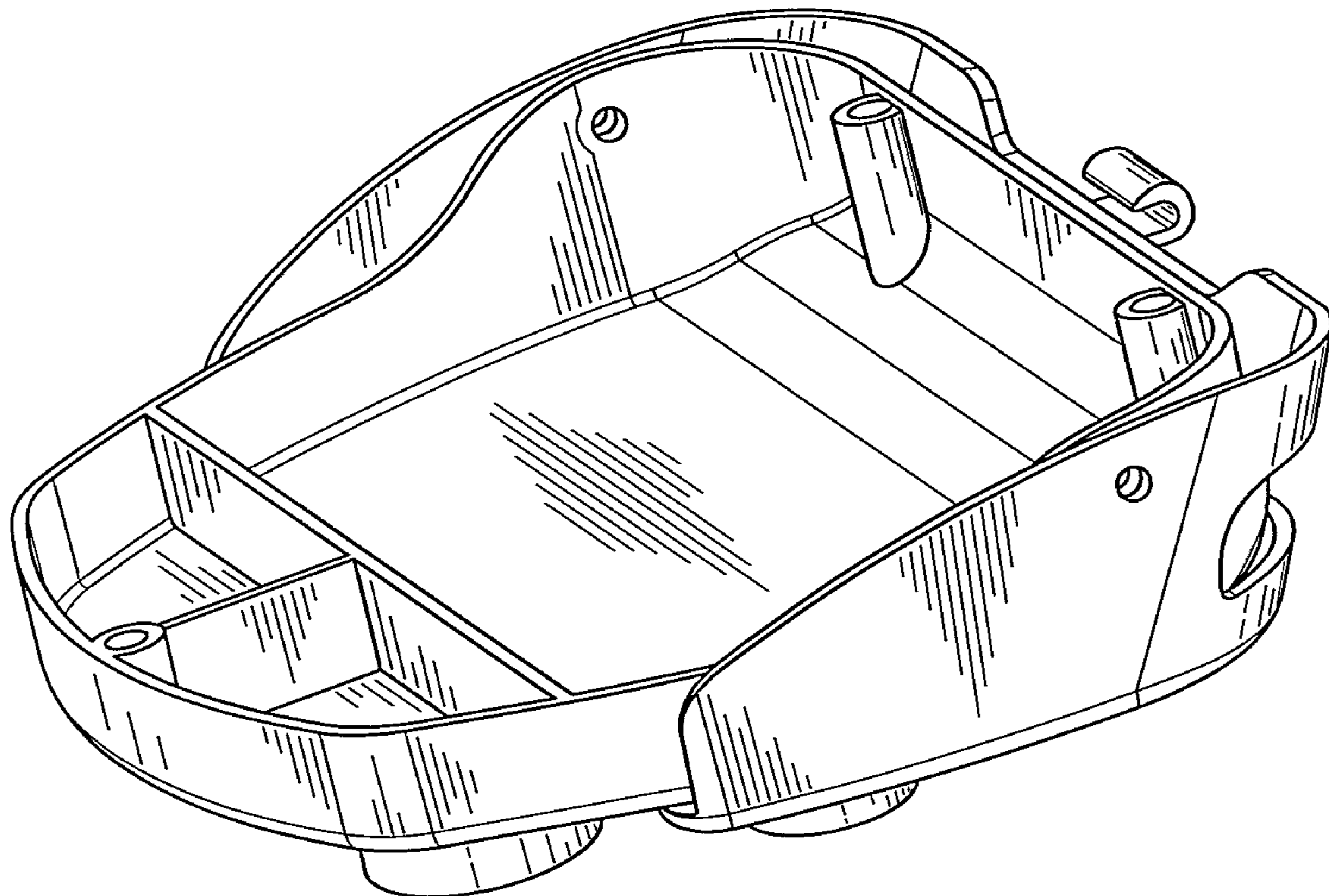
FIG. 6 is a top plan view thereof;

FIG. 7 is a bottom plan view thereof; and,

FIG. 8 is a side perspective of the base in a tilted position.

The broken lines in the drawings represent unclaimed environmental subject matter.

1 Claim, 4 Drawing Sheets



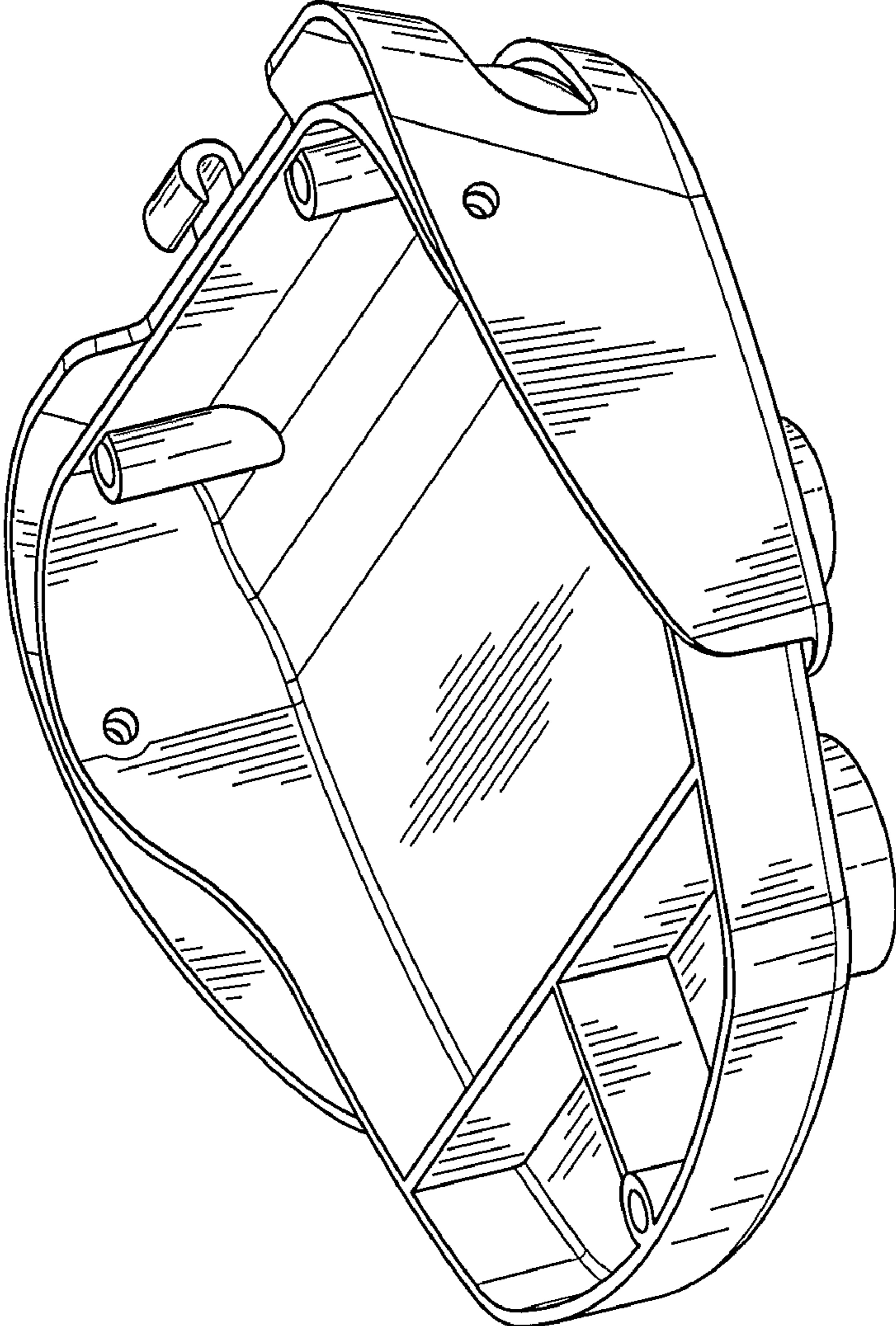


FIG. 1

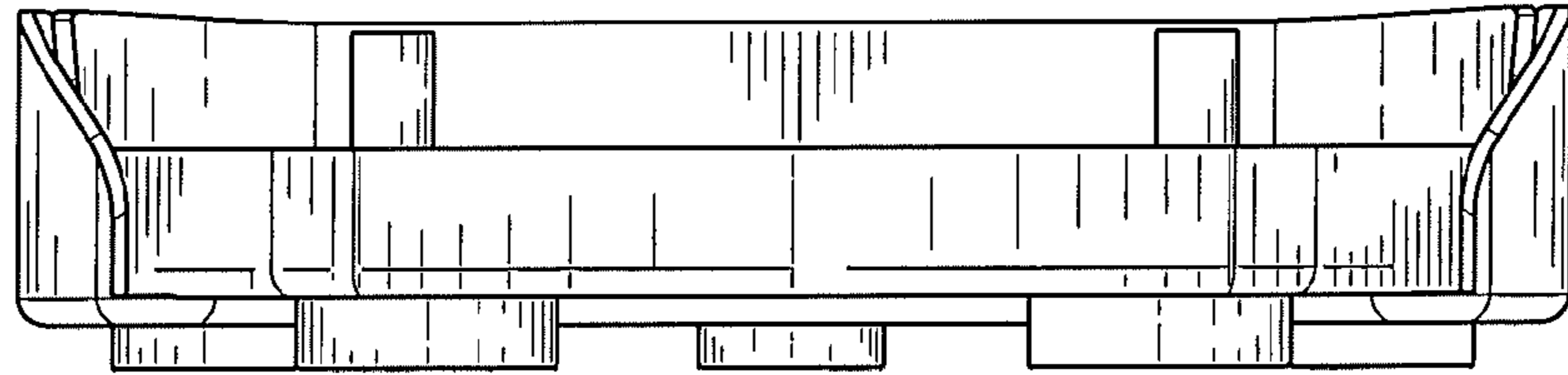


FIG. 2

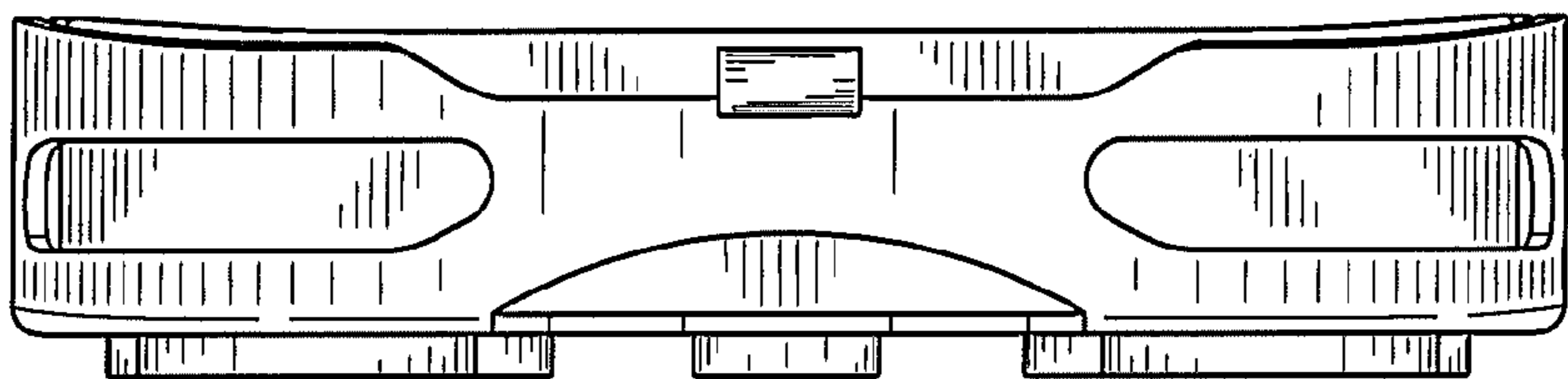


FIG. 3

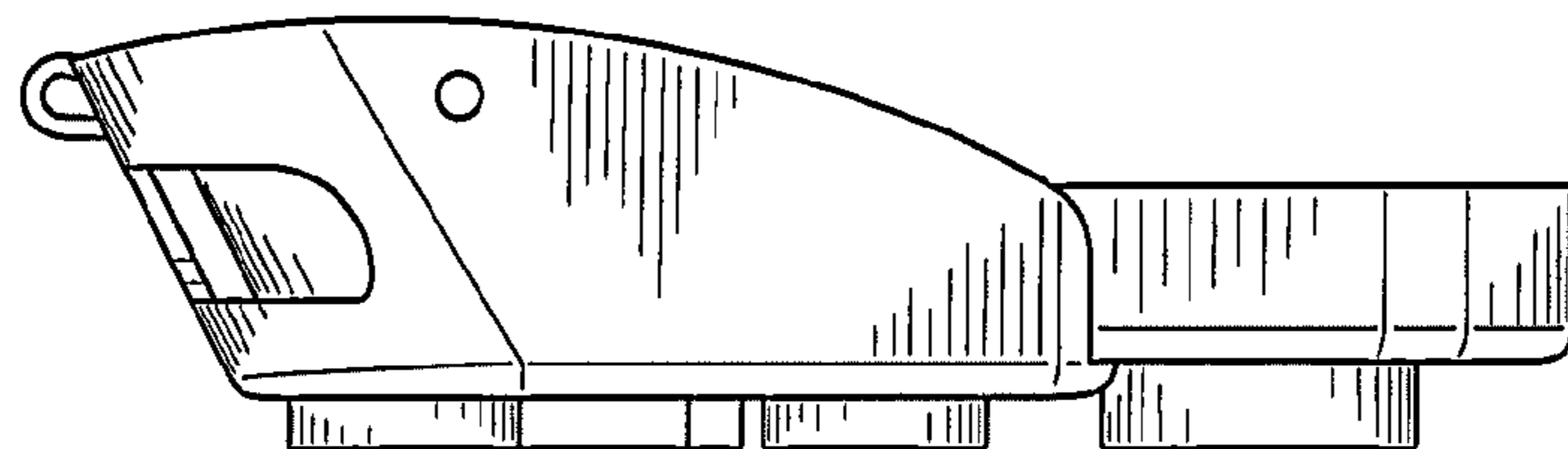


FIG. 4

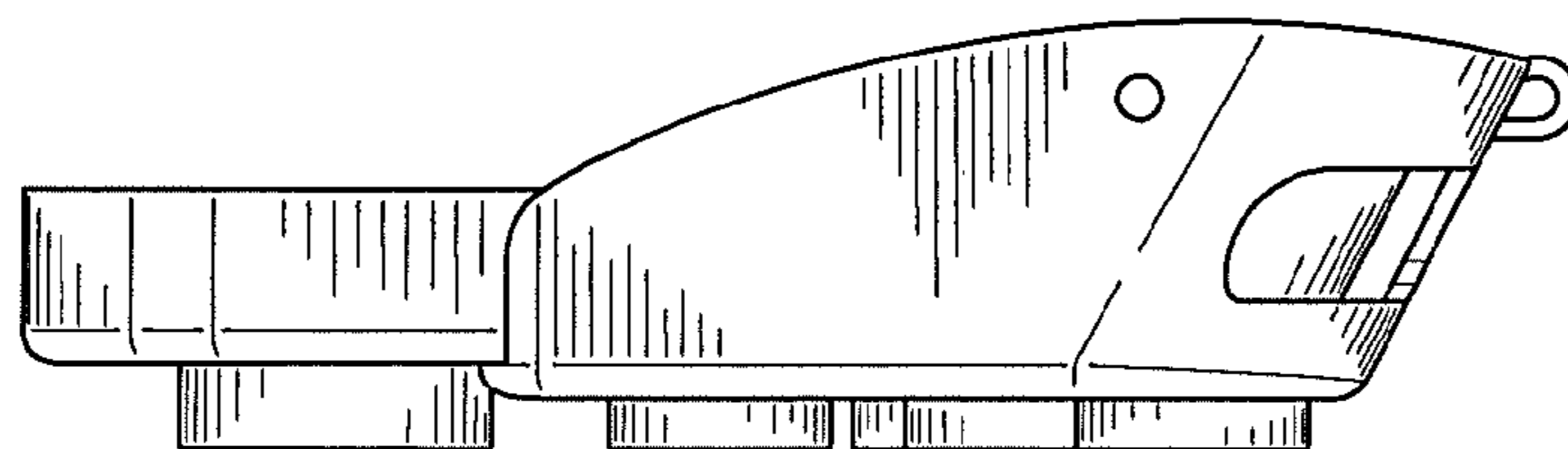


FIG. 5

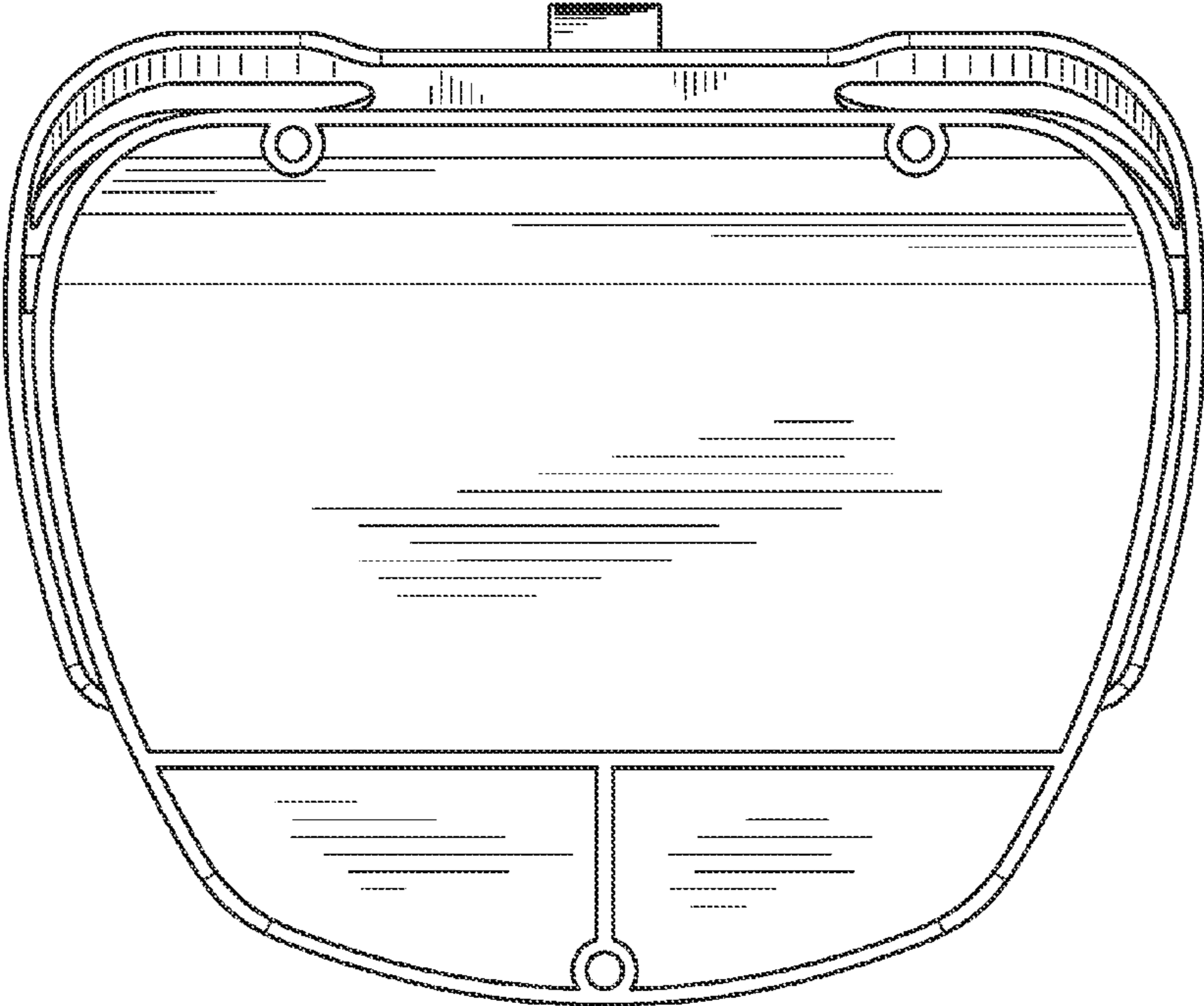


FIG. 6

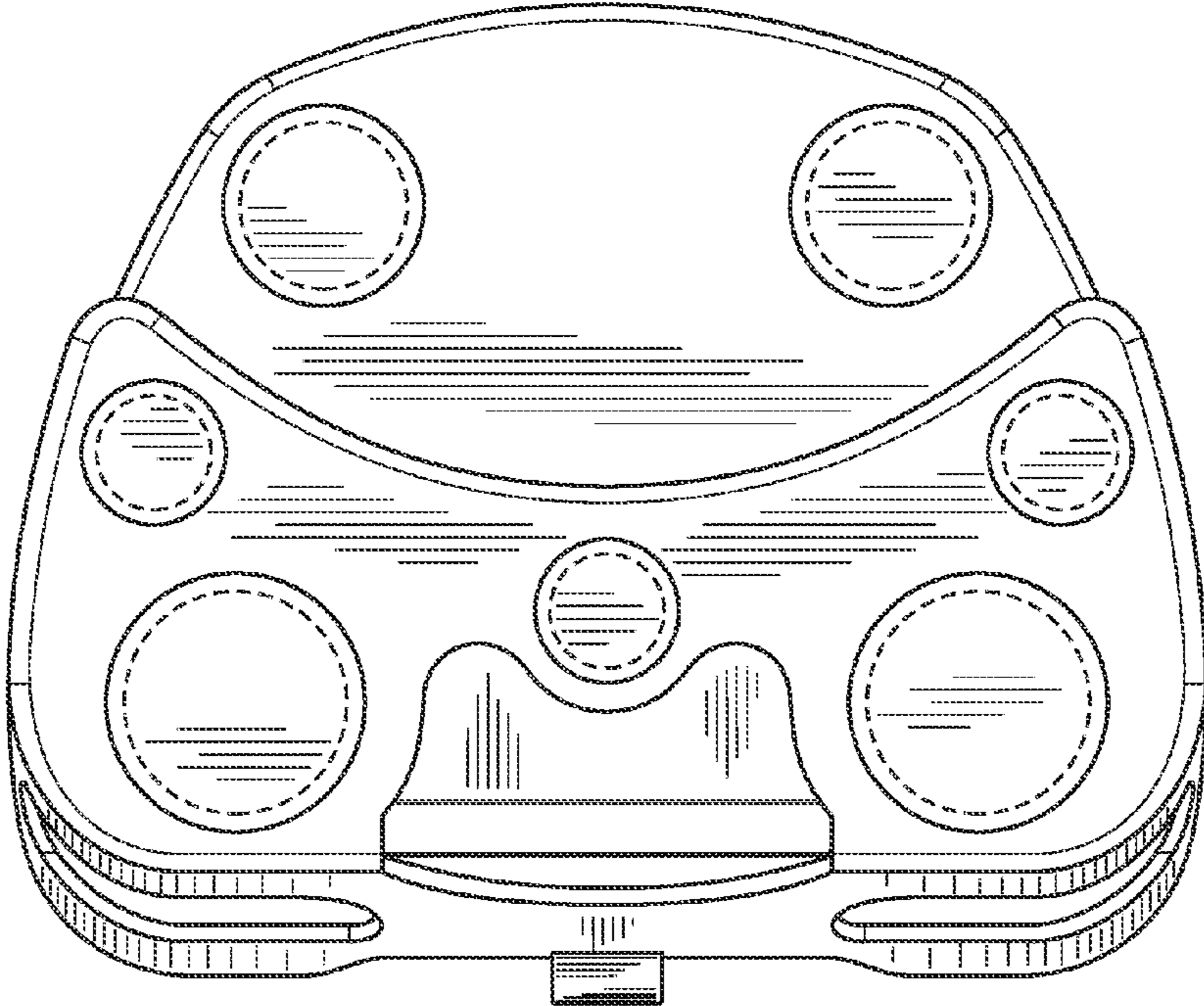


FIG. 7

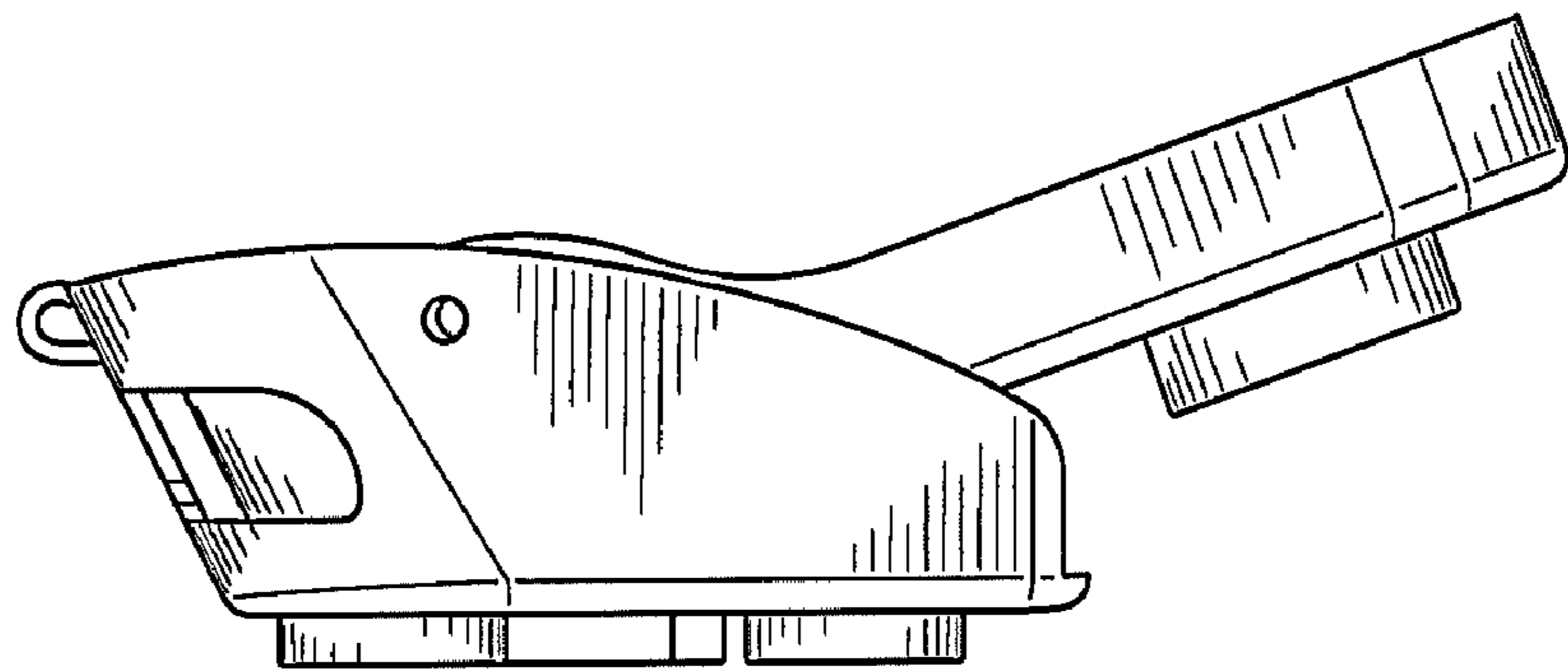


FIG. 8