



US00D675404S

(12) **United States Design Patent**
Parker

(10) **Patent No.:** **US D675,404 S**

(45) **Date of Patent:** **** Feb. 5, 2013**

(54) **HAT WITH A CURLED BILL**

(76) Inventor: **Mary Allen Parker**, Virginia Beach, VA
(US)

(**) Term: **14 Years**

(21) Appl. No.: **29/413,051**

(22) Filed: **Feb. 10, 2012**

(51) **LOC (9) Cl.** **02-03**

(52) **U.S. Cl.** **D2/882**

(58) **Field of Classification Search** D2/865,
D2/866, 875, 876, 877, 878, 879, 880, 881,
D2/882, 891, 893; D29/102, 103, 104, 105,
D29/106, 107, 108, 109, 110; 2/12, 171,
2/183, 175.1, 175.2, 195.1, 195.2, 195.3,
2/195.4, 195.5, 195.6, 200.1, 209.12, 209.13,
2/209.3, 209.7

See application file for complete search history.

(56) **References Cited**

U.S. PATENT DOCUMENTS

D39,793	S	*	1/1909	Metzger	D2/888
D108,300	S	*	2/1938	Rainess	D2/886
D267,363	S	*	12/1982	Wilson et al.	D2/884
D299,380	S	*	1/1989	Wang	D2/894
D367,158	S	*	2/1996	Baker	D2/882
D391,741	S	*	3/1998	Baker	D2/882
5,855,023	A	*	1/1999	Clingenpeel et al.	2/7
6,088,837	A	*	7/2000	Baker	2/195.1
D501,290	S	*	2/2005	Zuloff	D2/866
D579,179	S	*	10/2008	Childress	D2/882
7,676,851	B2	*	3/2010	Koh	2/246
D621,140	S	*	8/2010	Schmelzer	D2/893
D629,183	S	*	12/2010	Adams et al.	D2/882
D630,417	S	*	1/2011	Schmelzer	D2/893
D635,336	S	*	4/2011	Alger	D2/866

D636,562	S	*	4/2011	Lam et al.	D2/882
D654,251	S	*	2/2012	Alkas-Shamoun	D2/882
D660,554	S	*	5/2012	Blackshear	D2/872
2006/0143793	A1	*	7/2006	Liao	2/195.6
2008/0028498	A1	*	2/2008	Beheton	2/175.1
2008/0047048	A1	*	2/2008	Kwon	2/175.1
2008/0098502	A1	*	5/2008	Tai	2/175.1
2012/0066814	A1	*	3/2012	Adams et al.	2/195.1

* cited by examiner

Primary Examiner — Karen E Eldridge Powers

(74) *Attorney, Agent, or Firm* — Atlanta Technology Law

(57) **CLAIM**

The ornamental design for a hat with a curled bill, as shown and described.

DESCRIPTION

FIG. 1 is a top and front perspective view of a hat with a curled bill showing the new design;

FIG. 2 is a rear perspective view of a hat with a curled bill showing the new design;

FIG. 3 is a front elevation view of a hat with a curled bill showing the new design;

FIG. 4 is a top plan view of a hat with a curled bill showing the new design;

FIG. 5 is a back elevation view of a hat with a curled bill showing the new design;

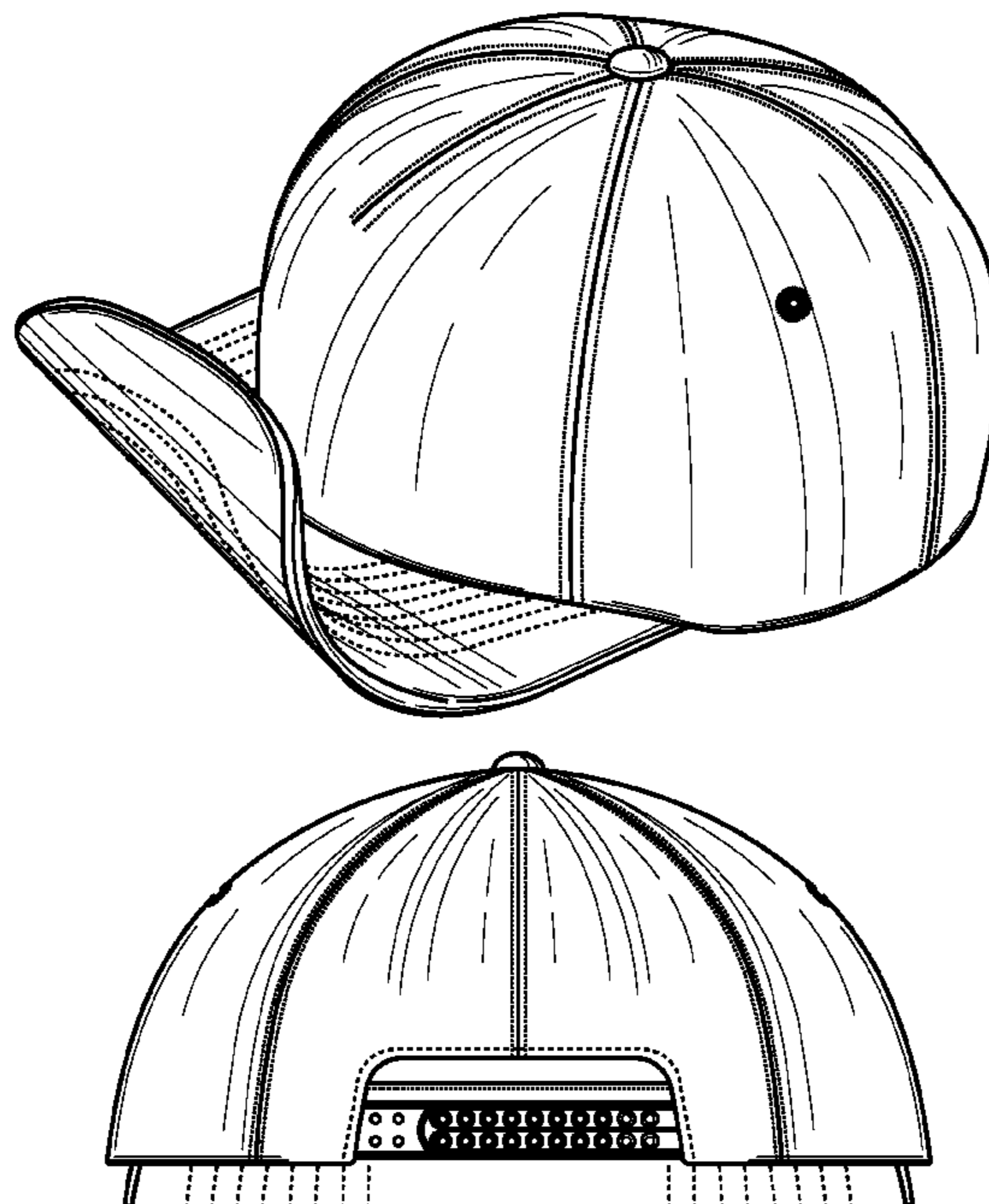
FIG. 6 is a bottom plan view of a hat with a curled bill showing the new design;

FIG. 7 is a right side elevation view of a hat with a curled bill showing the new design; and,

FIG. 8 is a left side view of a hat with a curled bill showing the new design.

The broken lines shown in the drawings are stitch lines and form a part of the claimed design.

1 Claim, 4 Drawing Sheets



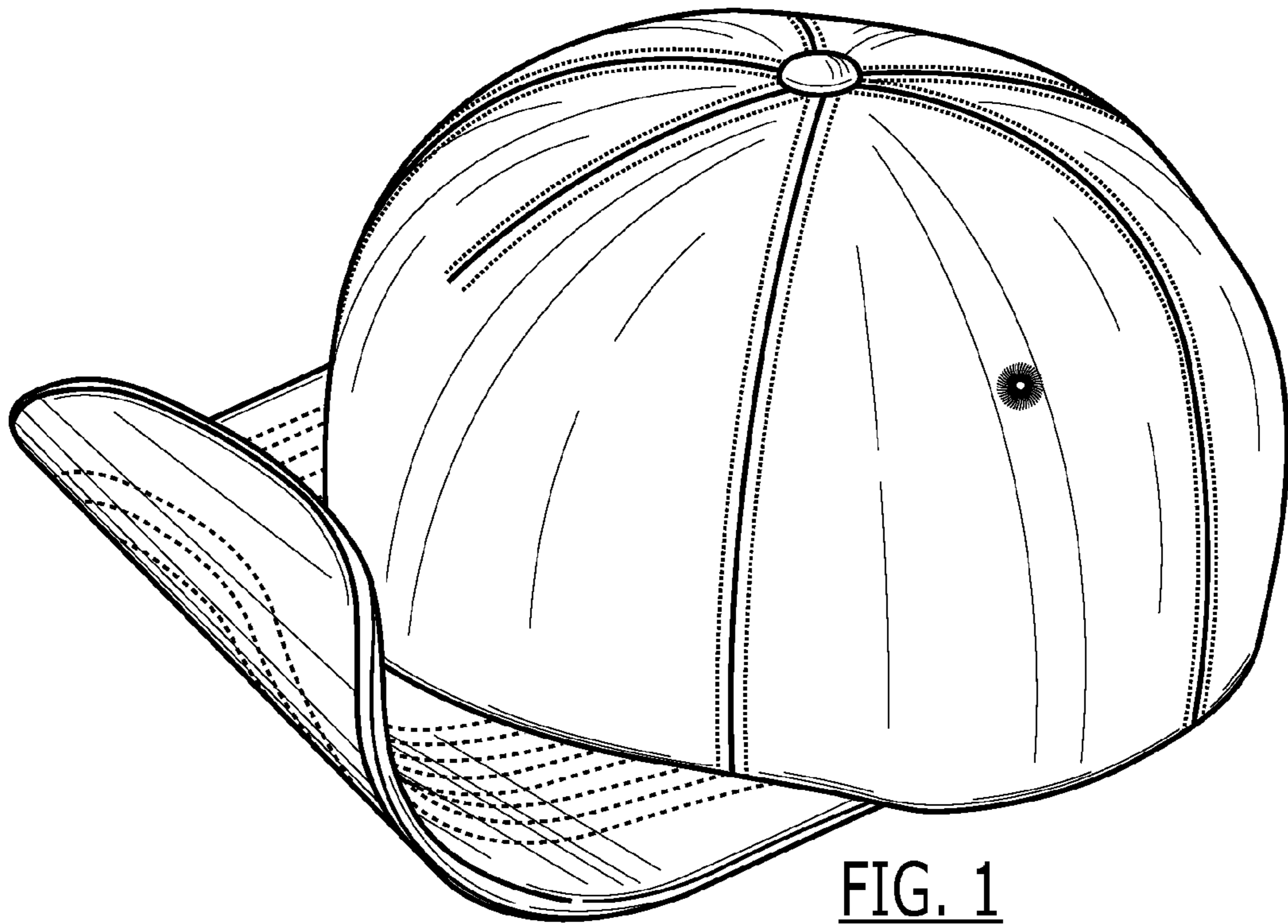


FIG. 1

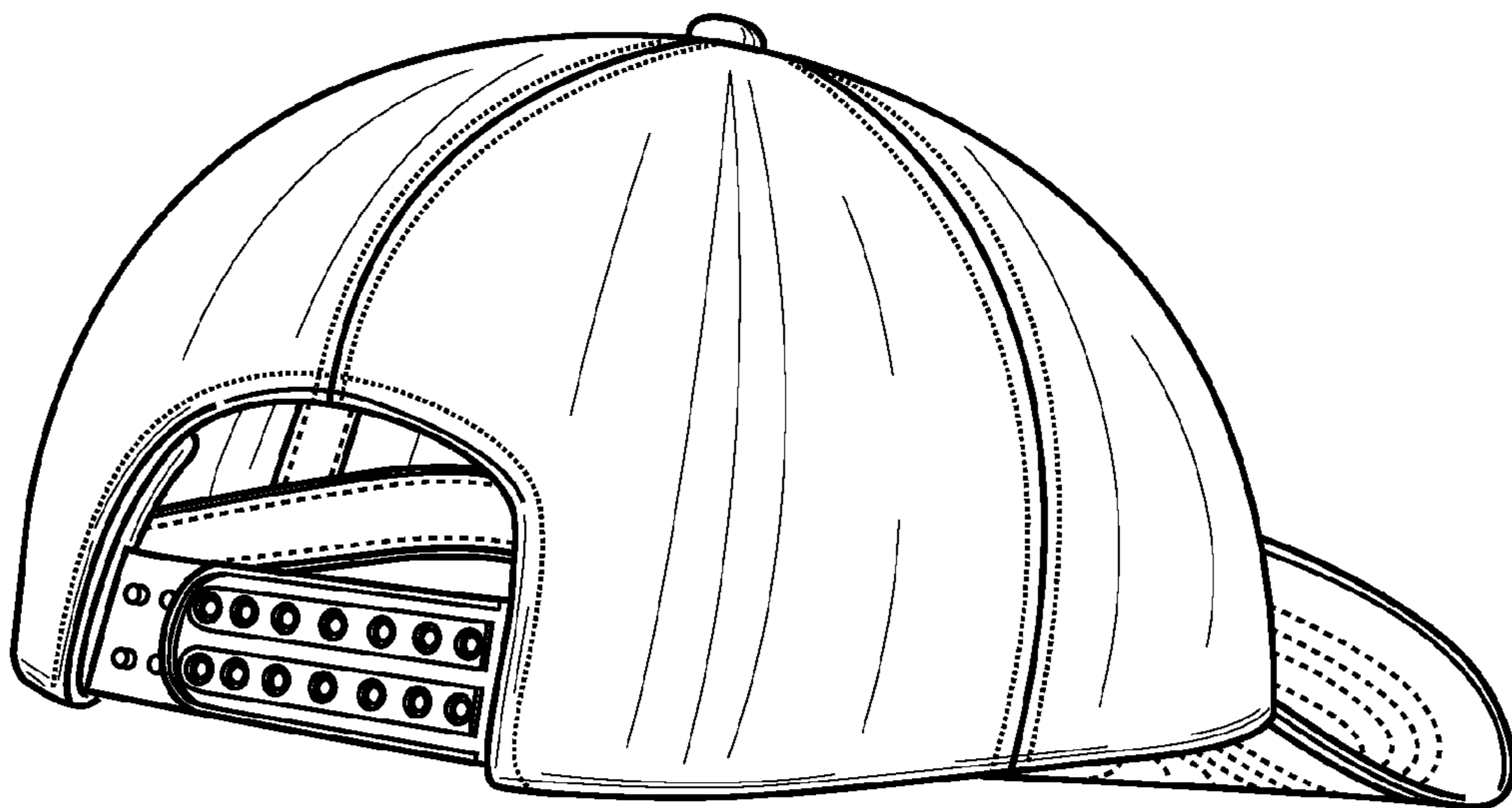


FIG. 2

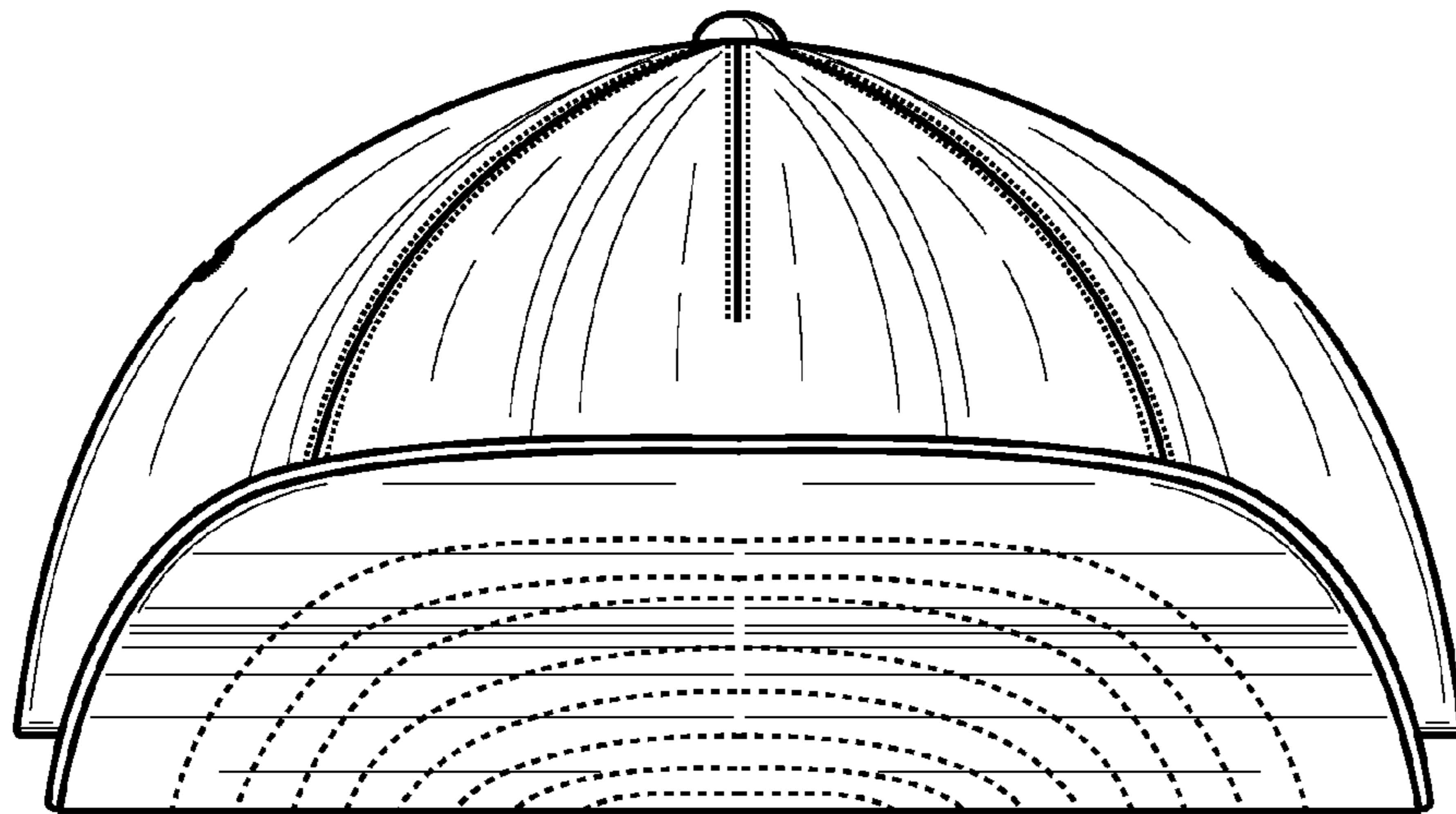


FIG. 3

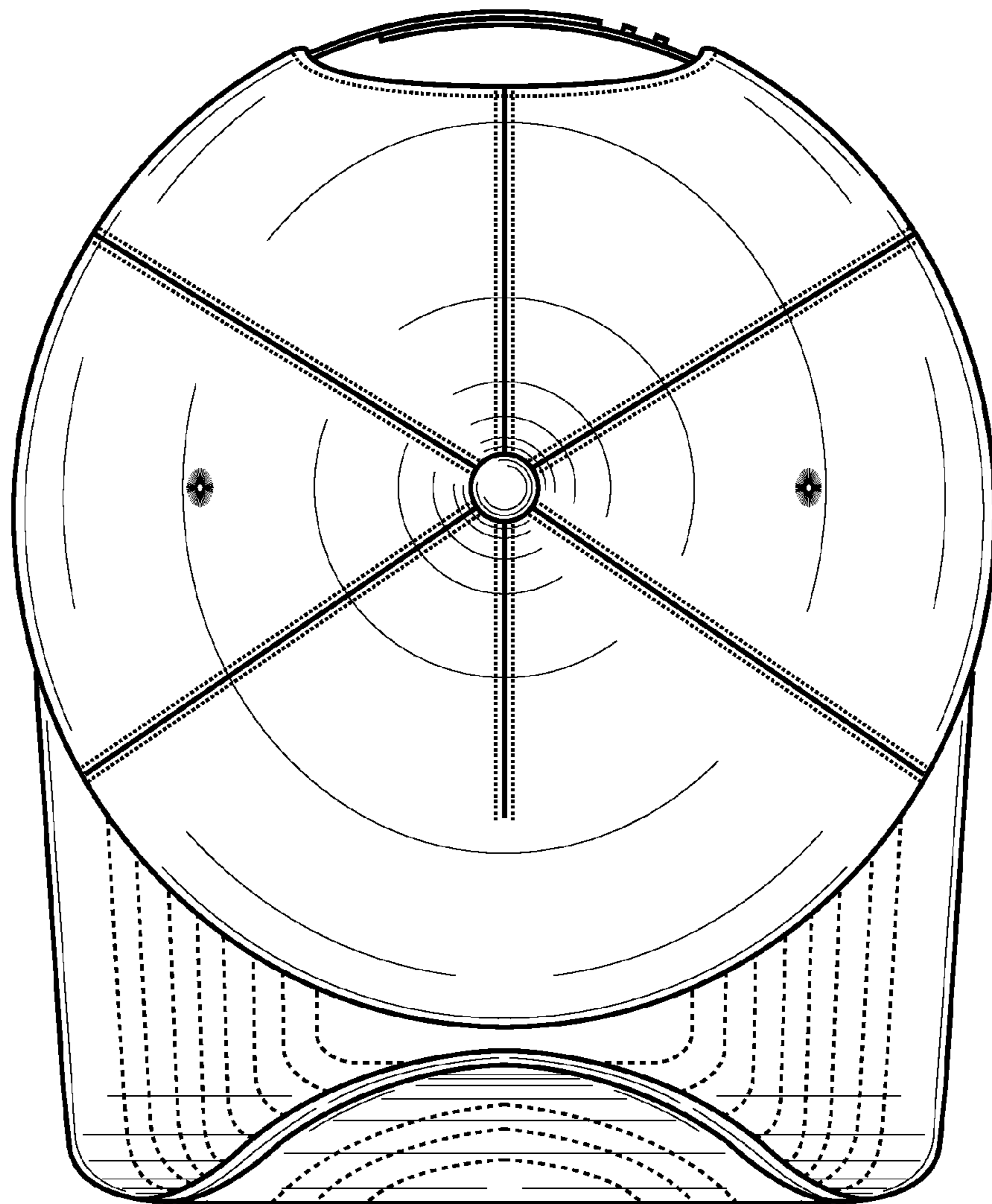


FIG. 4

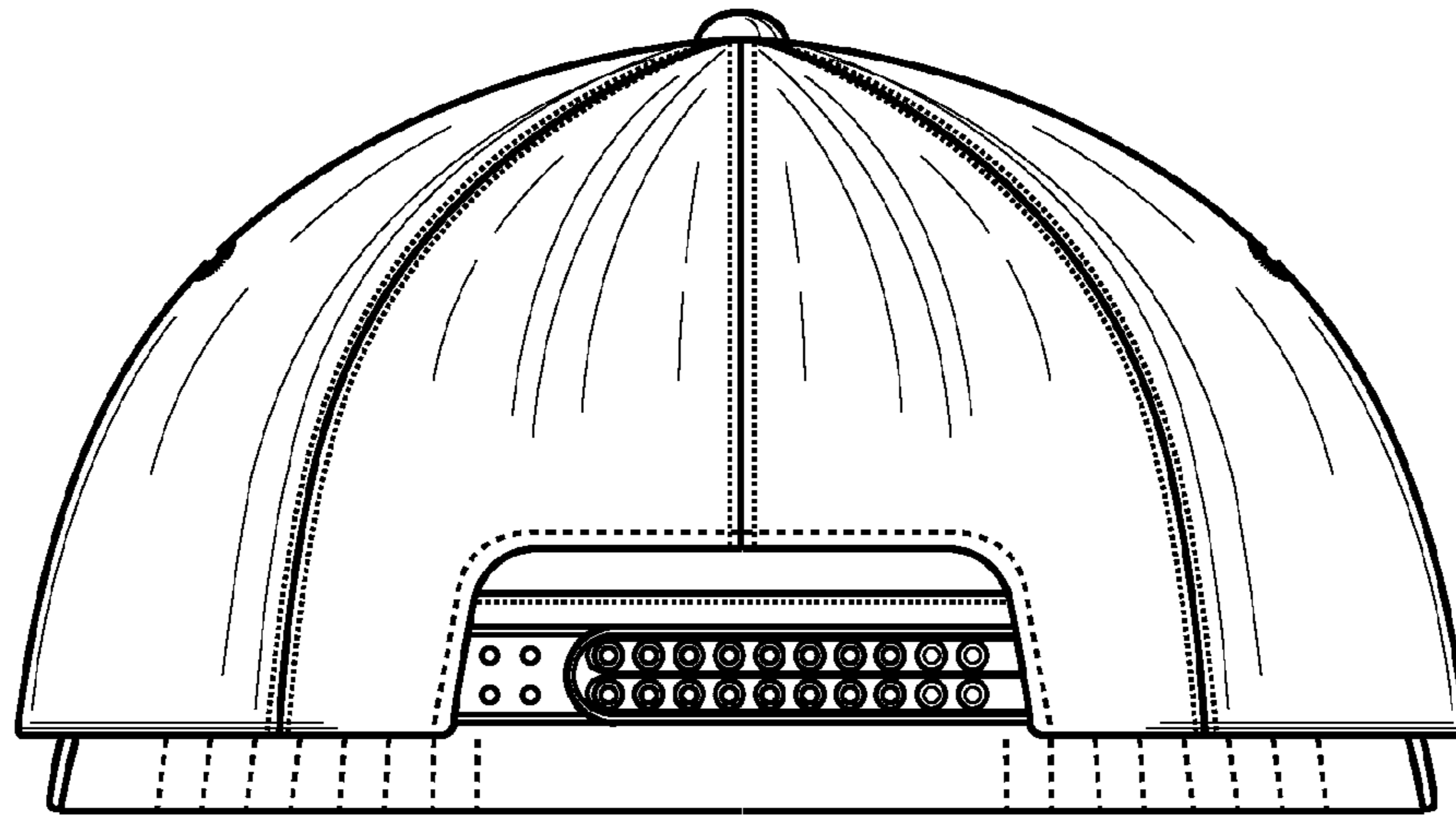


FIG. 5

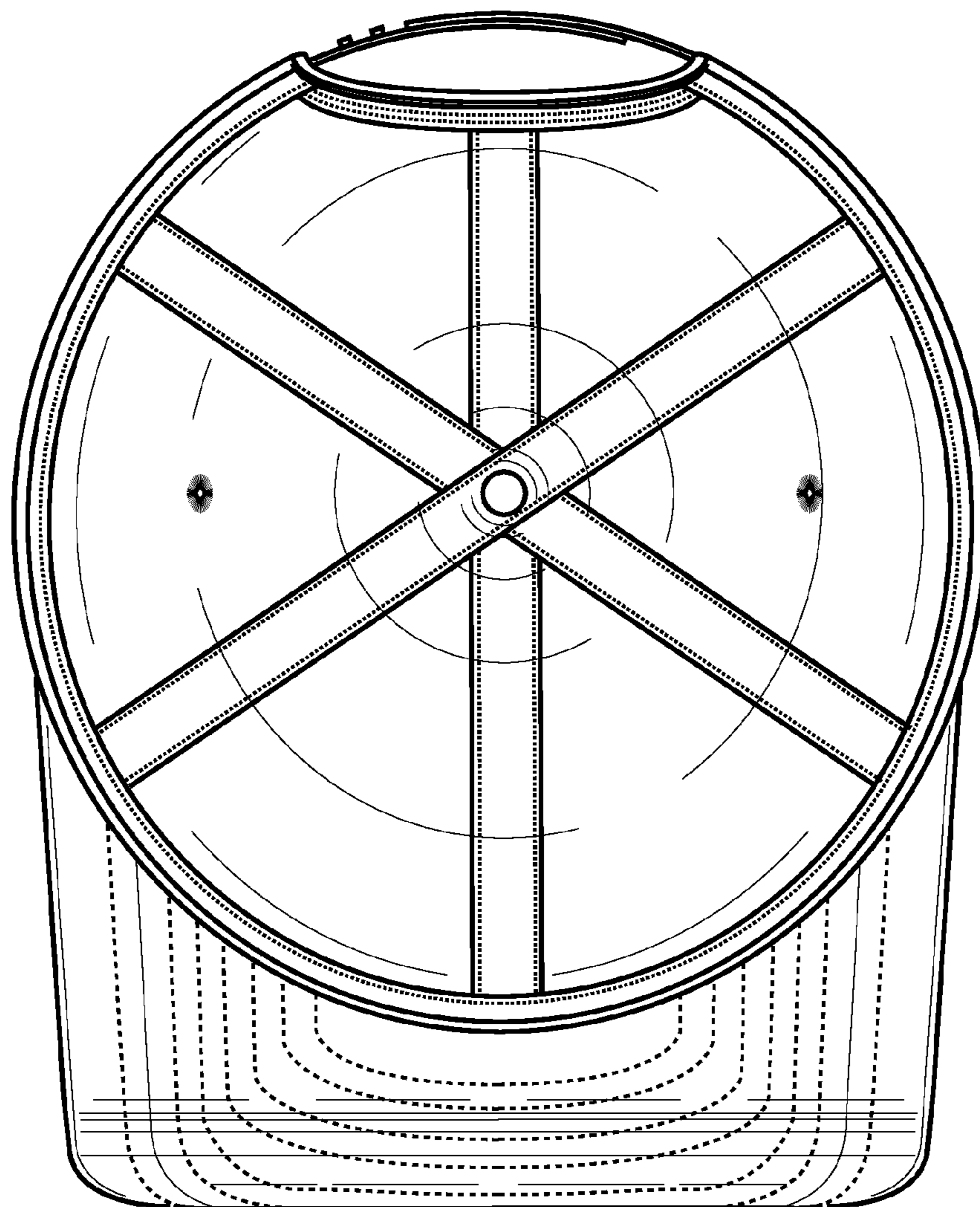


FIG. 6

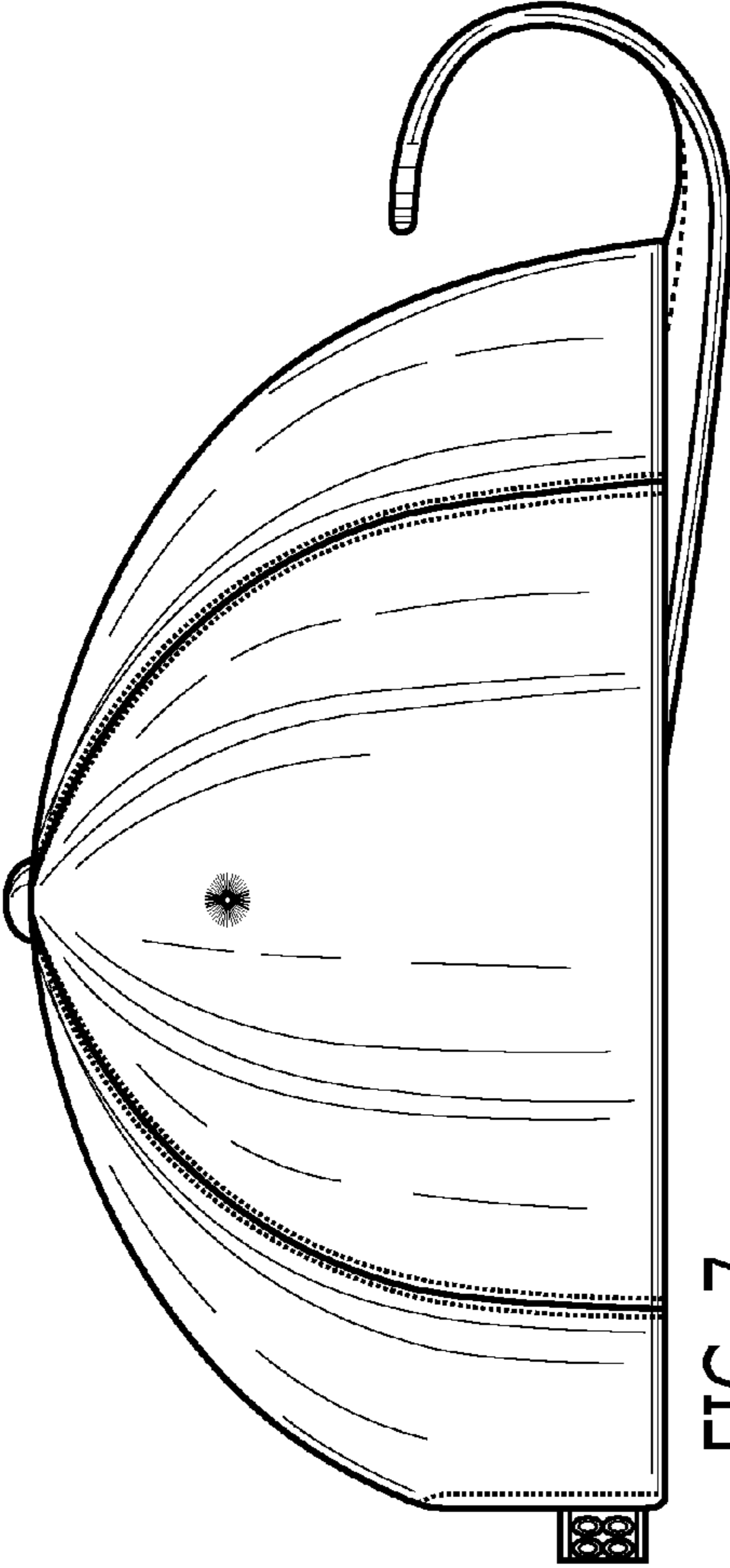


FIG. 7

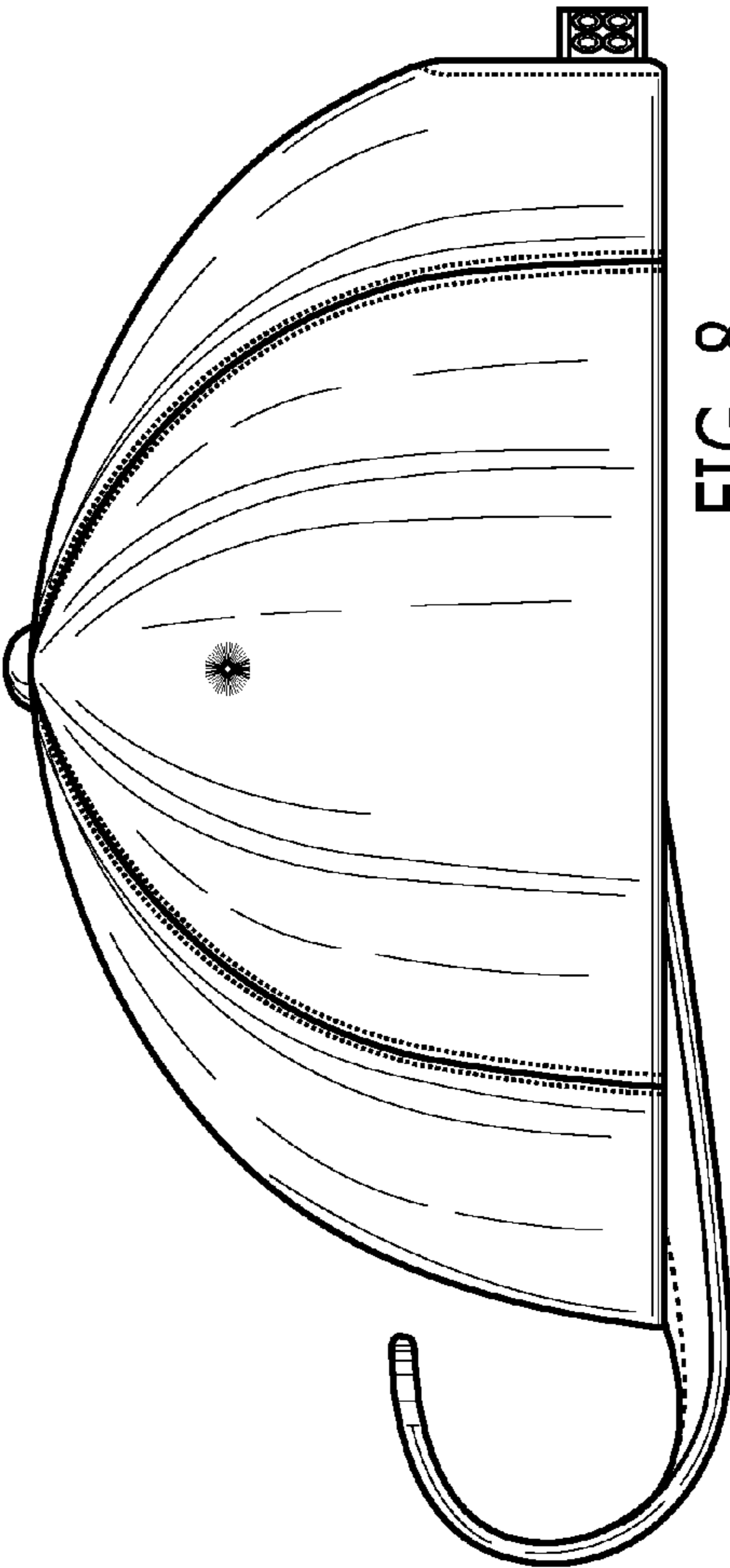


FIG. 8