



US00D675398S

(12) **United States Design Patent**
Miller

(10) **Patent No.:** **US D675,398 S**

(45) **Date of Patent:** **** Feb. 5, 2013**

(54) **MULTI-FUNCTION GLOVE**

(76) Inventor: **Daniel L. Miller**, Lancaster, CA (US)

(**) Term: **14 Years**

(21) Appl. No.: **29/414,900**

(22) Filed: **Mar. 5, 2012**

(51) **LOC (9) Cl.** **02-06**

(52) **U.S. Cl.** **D2/614**

(58) **Field of Classification Search** D2/610,
D2/611, 612, 613, 615, 616, 617, 618, 619,
D2/620, 621, 622, 623; D3/226; D28/63;
D29/113, 114, 116.2, 117.1, 117.2, 118, 119,
D29/122, 123; D32/40, 41, 42, 43; 2/16,
2/20, 21, 158, 159, 160, 161.1, 161.2, 161.3,
2/161.4, 161.5, 161.6, 161.7, 161.8, 162,
2/163, 164, 165, 166, 167, 168, 169, 170;
15/227

See application file for complete search history.

(56) **References Cited**

U.S. PATENT DOCUMENTS

825,510	A *	7/1906	Bloc et al.	2/160
2,555,203	A *	5/1951	Ramsey	219/211
2,700,159	A *	1/1955	Van Denburgh	2/20
4,536,889	A *	8/1985	Taylor et al.	2/160
4,761,835	A *	8/1988	Chen	2/160
4,805,242	A *	2/1989	Bolton	2/160
4,862,521	A *	9/1989	Mann	2/160
5,003,637	A *	4/1991	Lonon	2/160
D329,926	S *	9/1992	Winder	D29/113
D335,023	S *	4/1993	Hutcheson	D2/612
5,309,573	A *	5/1994	Solar et al.	2/160
5,345,368	A *	9/1994	Huff	362/103
D359,154	S *	6/1995	Goodson	D29/113
D369,453	S *	5/1996	Robbins	D29/113
D372,578	S *	8/1996	Chapman	D29/113
5,768,709	A *	6/1998	Newkirk et al.	2/160
D404,888	S *	2/1999	Arredondo, Jr.	D29/113
6,779,199	B1 *	8/2004	O'Dea et al.	2/161.6
7,013,490	B2 *	3/2006	Senter et al.	2/160
7,152,248	B2 *	12/2006	Ziemer	2/160
D537,233	S *	2/2007	Potemski	D2/619

7,287,285	B2 *	10/2007	Jaeger et al.	2/161.1
8,291,516	B2 *	10/2012	Chen	2/160
2004/0031120	A1 *	2/2004	Cherian	15/227
2004/0172736	A1 *	9/2004	Reid	2/169
2010/0154097	A1 *	6/2010	Roscher	2/160

* cited by examiner

Primary Examiner — Karen E Eldridge Powers

(74) *Attorney, Agent, or Firm* — Albert O. Cota

(57) **CLAIM**

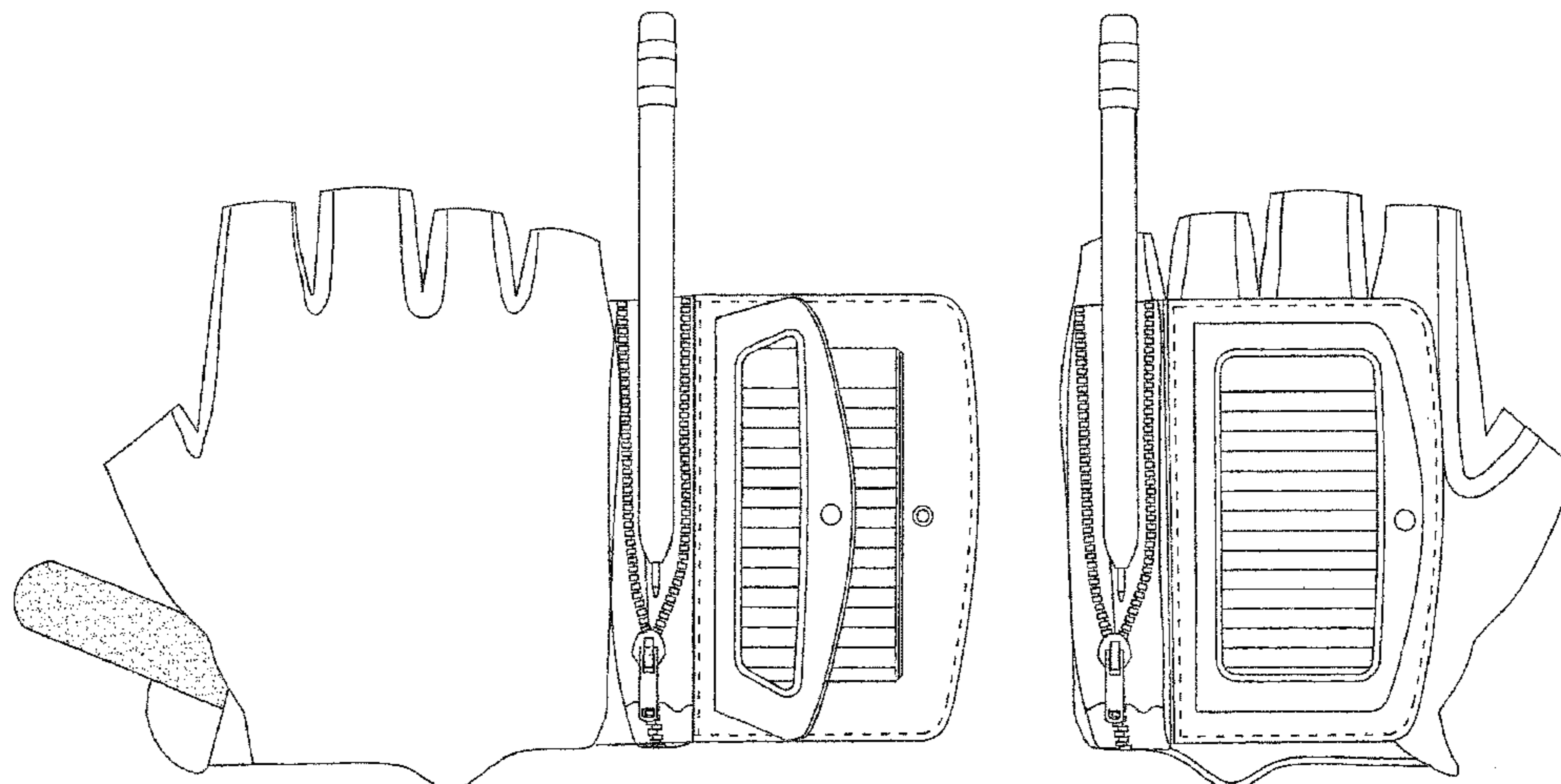
The ornamental design for a multi-function glove, as shown and decribed.

DESCRIPTION

FIG. 1 is a front elevational view of a multi-function glove showing my new design. The glove includes a VELCRO™ attached inner flap shown in an open position, a writing implement inserted into a zippered pouch and a wrist strap, FIG. 2 is a rear elevational view thereof shown with the inner flap and an outer flap in an open position, and with the writing implement partly inserted into the zippered pouch, FIG. 3 is a front elevational view thereof shown with the outer flap attached to the inner flap and the writing implement partly inserted into the zippered pouch; FIG. 4 is a front elevational view thereof shown with the outer flap detached from the inner flap; FIG. 5 is a left side elevation view thereof, shown with the outer flap attached to the inner flap and with the pencil inserted into the zippered pouch; FIG. 6 is a right side elevational view thereof; FIG. 7 is a top plan view thereof; FIG. 8 is a bottom plan view thereof; and, FIG. 9 is an orthographic view thereof shown with the writing implement removed from the zippered pouch and held in a hand.

The human hands shown in broken lines in FIG. 9 illustrate the environment in which the design is used, assist in showing how the glove appears when worn, and form no part of the claimed design. The broken line shown on the glove itself is a line of stitching and is part of the claimed design.

1 Claim, 5 Drawing Sheets



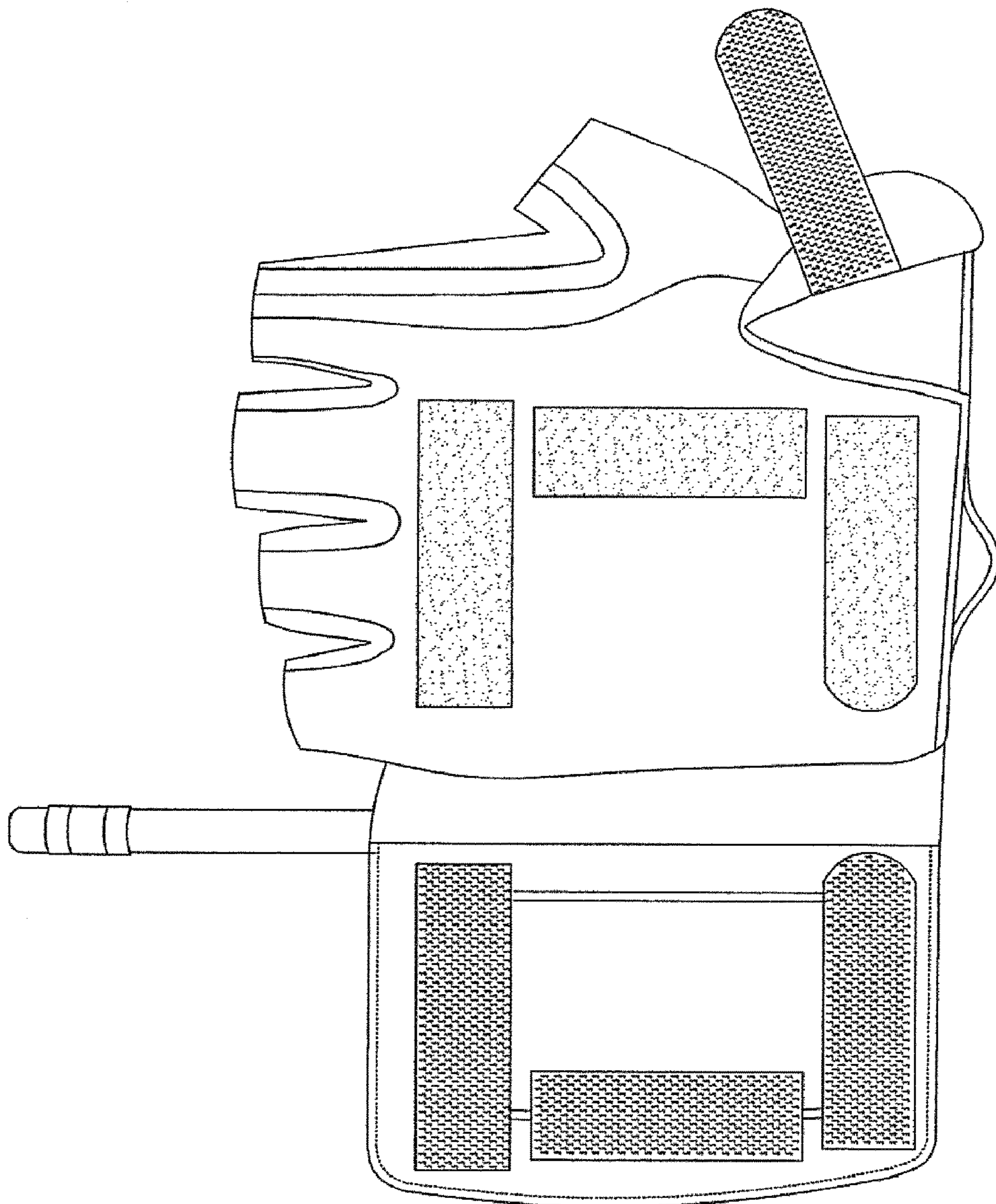


Fig. 1

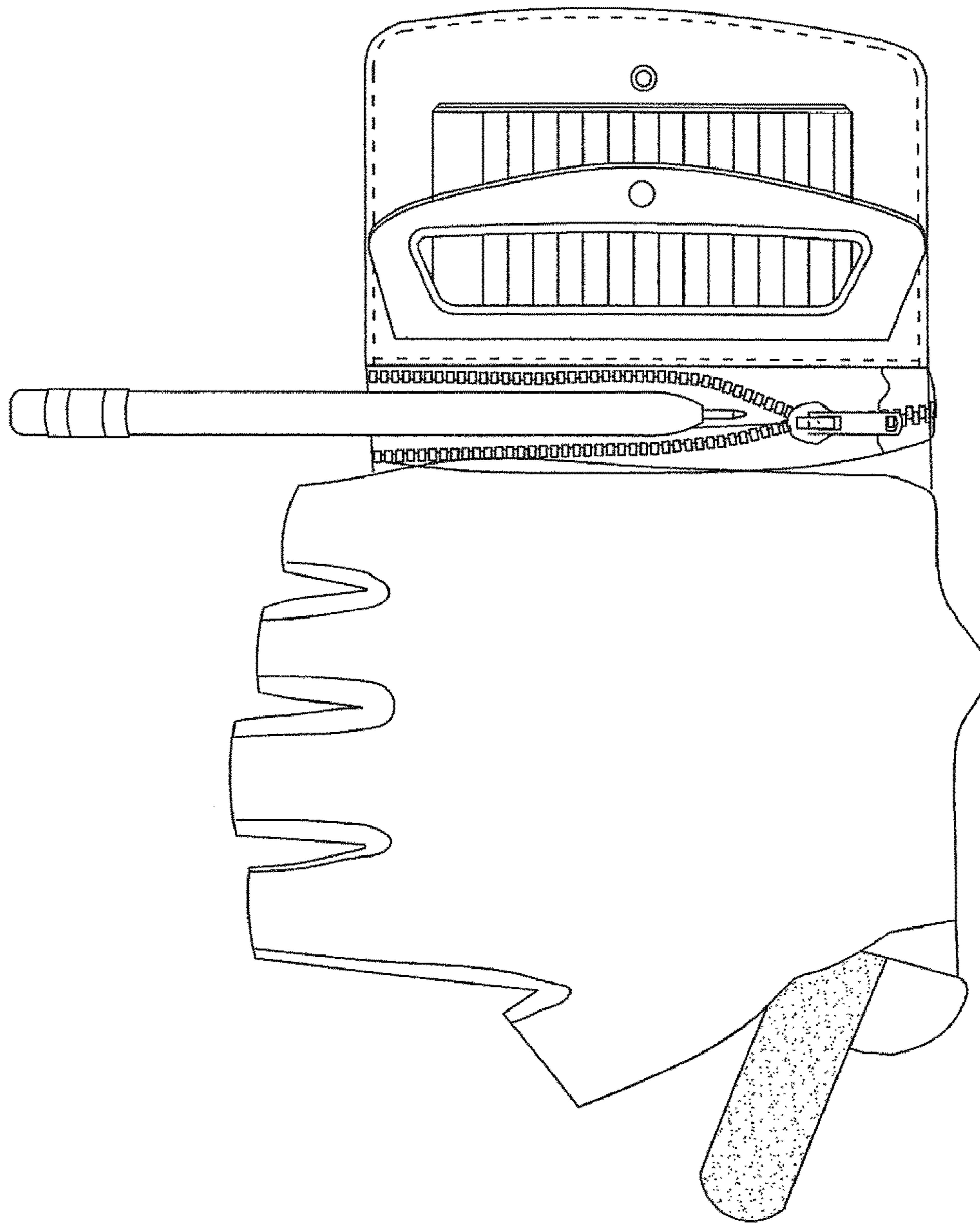


Fig. 2

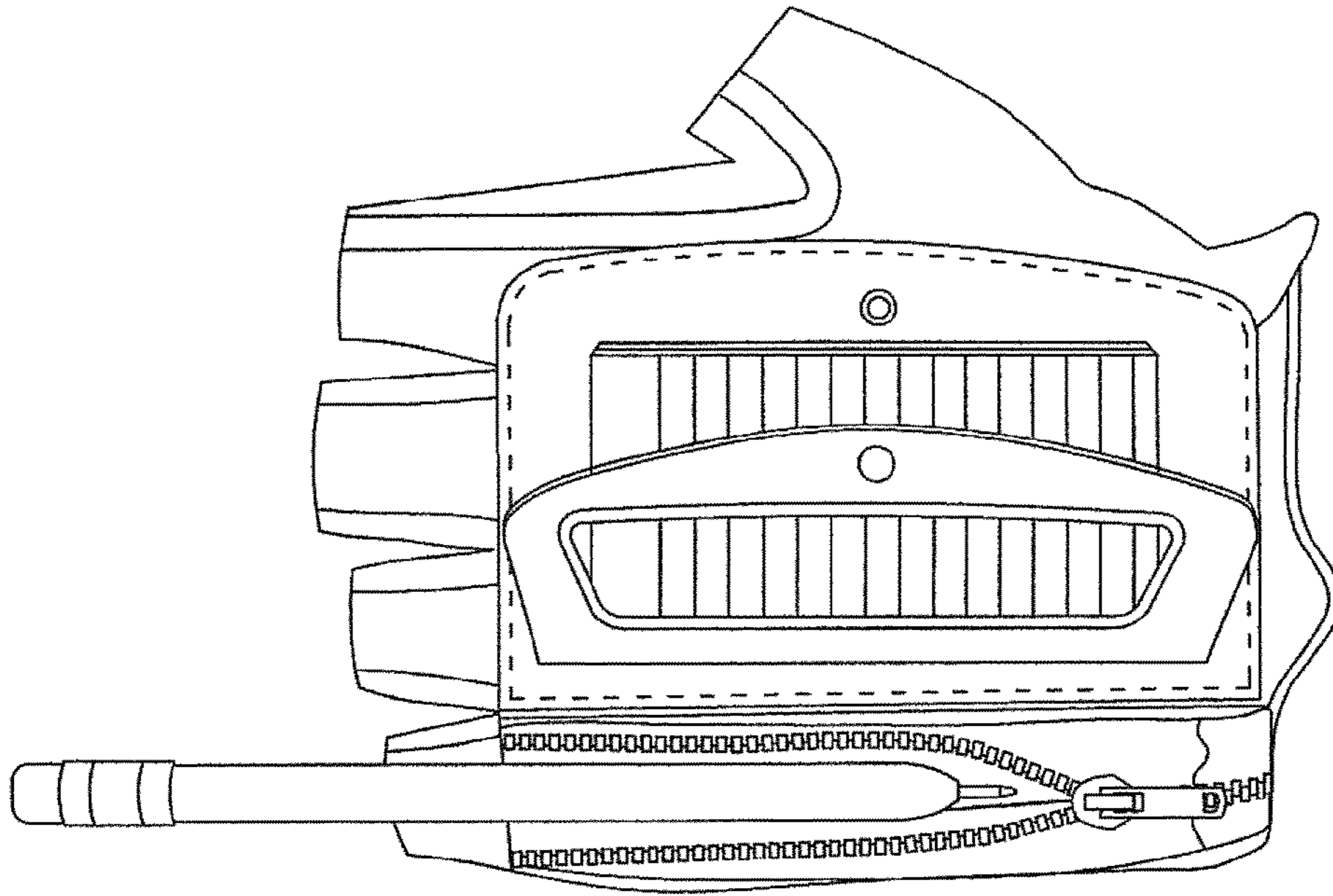


Fig. 4

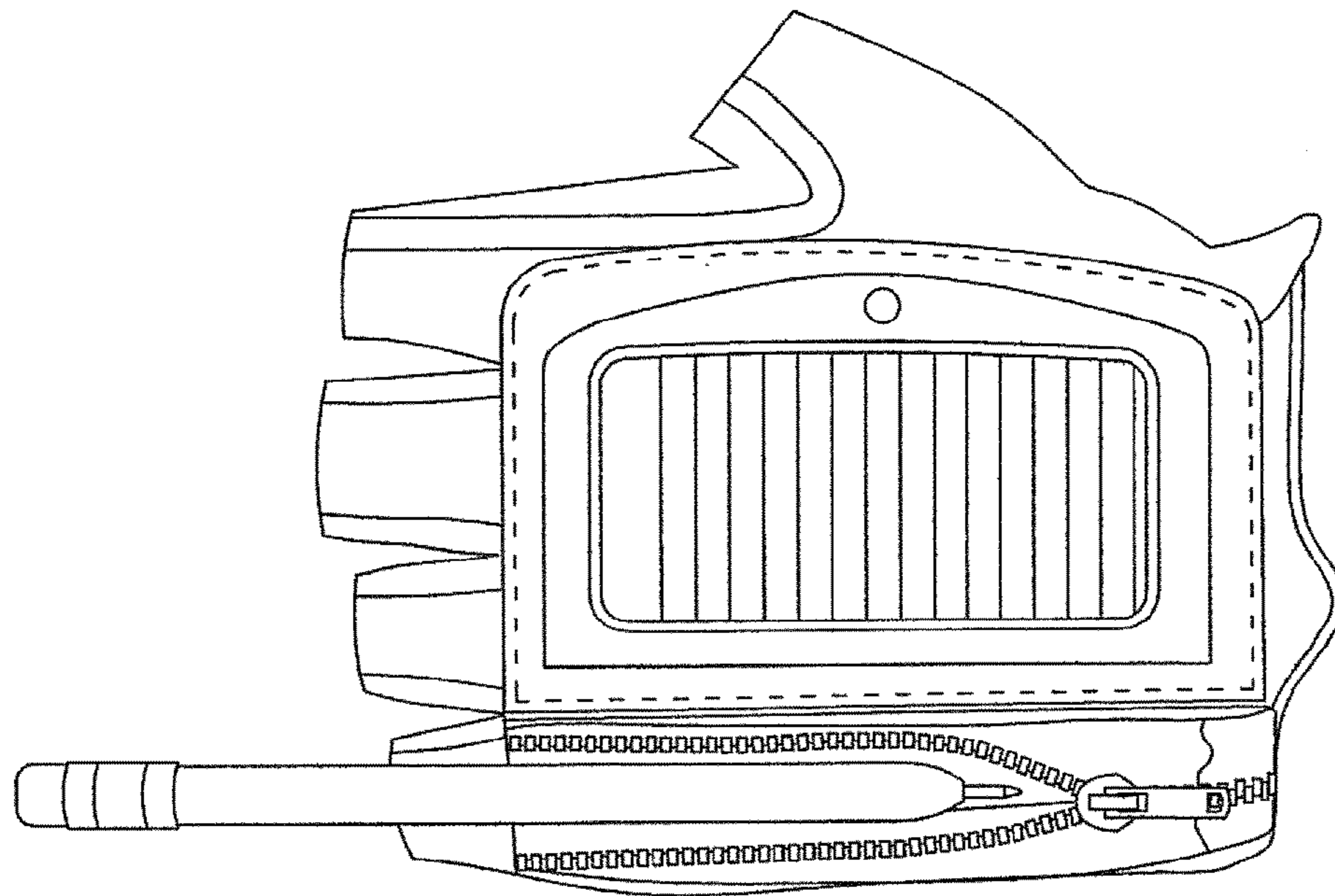


Fig. 3

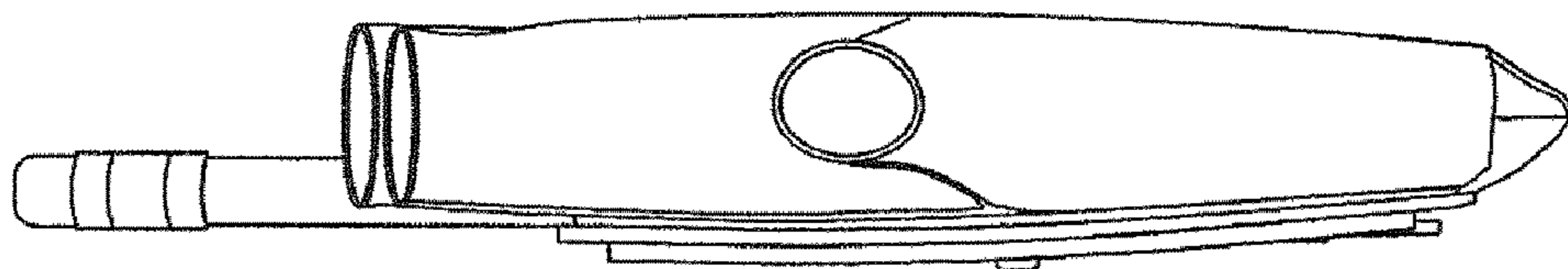


Fig. 6

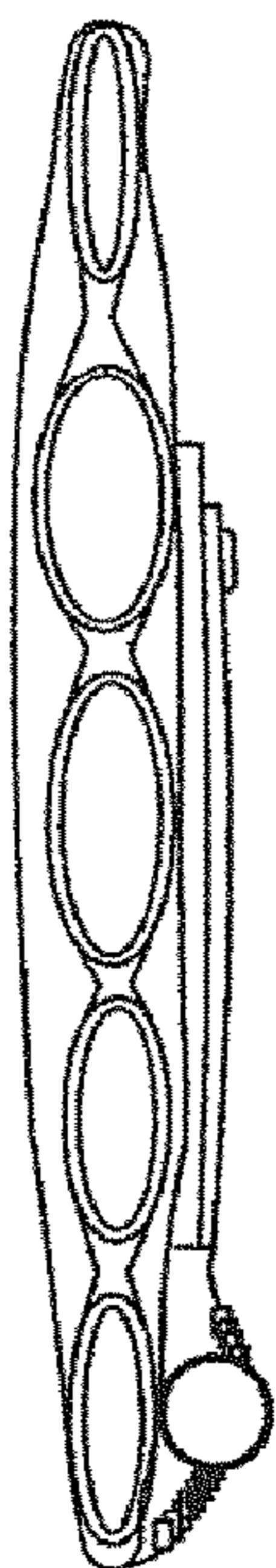


Fig. 7

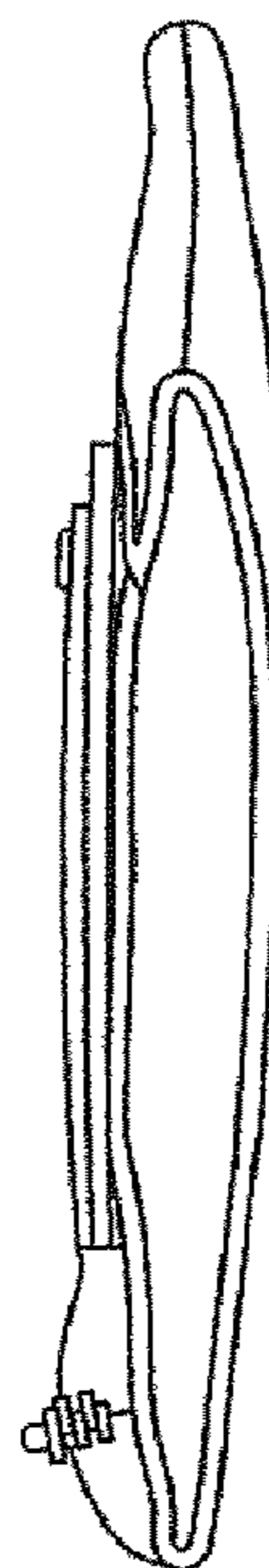


Fig. 8

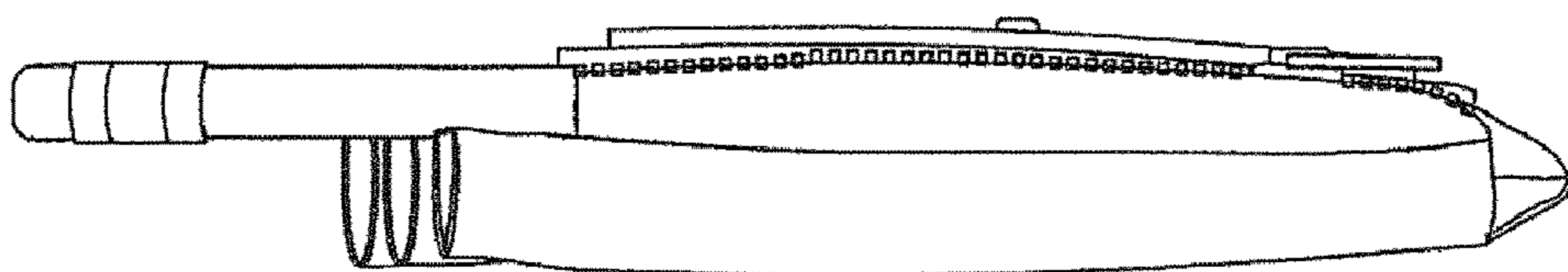


Fig. 5

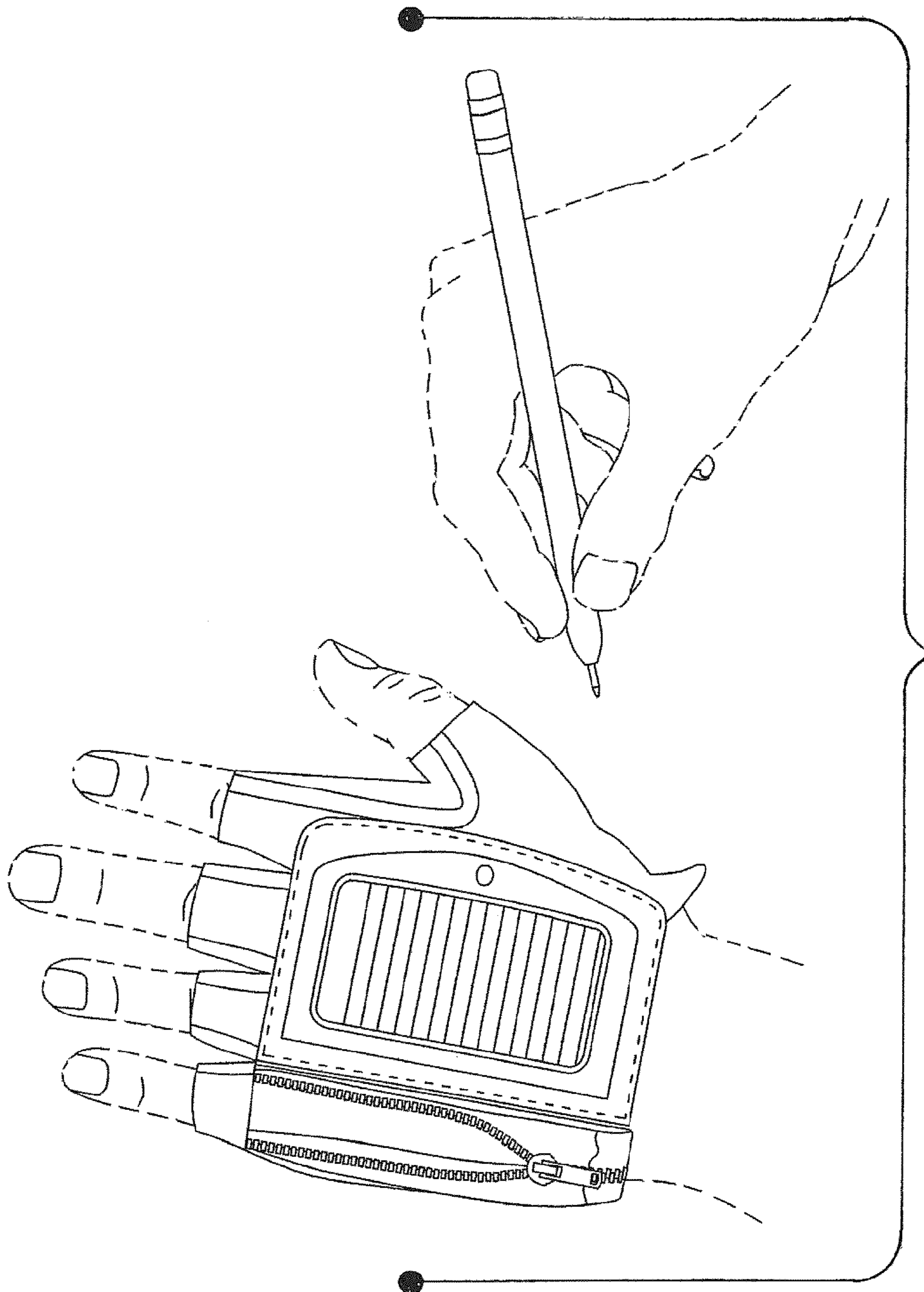


Fig. 9