

US00D675394S

(12) **United States Design Patent**  
**Pedersen et al.**

(10) **Patent No.:** **US D675,394 S**  
(45) **Date of Patent:** **\*\* Jan. 29, 2013**

(54) **BEVERAGE CART**

(75) Inventors: **Sara L. Pedersen**, Minneapolis, MN (US); **Stephanie A. Grotta**, Minneapolis, MN (US); **Joshua A. Hughes**, Delano, MN (US); **Zheng Gao**, Jiashan (CN); **Pan Liangzhang**, Jiashan (CN)

(73) Assignee: **Target Brands, Inc.**, Minneapolis, MN (US)

(\*\*) Term: **14 Years**

(21) Appl. No.: **29/409,810**

(22) Filed: **Dec. 29, 2011**

(51) **LOC (9) Cl.** ..... **12-02**

(52) **U.S. Cl.** ..... **D34/17**

(58) **Field of Classification Search** ..... D34/12-27;  
D6/479, 478, 480, 476; 280/641, 79.3, 79.11;  
108/111, 153, 59; 312/257

See application file for complete search history.

(56) **References Cited**

**U.S. PATENT DOCUMENTS**

2,886,186	A *	5/1959	Hamilton	108/189
D199,670	S *	12/1964	Inglis	D34/21
4,740,010	A *	4/1988	Moskovitz	280/641
D363,590	S *	10/1995	Kazmerchek et al.	D34/21
D425,280	S *	5/2000	vom Braucke et al.	D34/21
D487,604	S *	3/2004	Van LANDINGHAM, Jr.	D34/12
D554,323	S *	10/2007	Roth	D34/12
D561,972	S *	2/2008	Roever	D34/17
D578,269	S *	10/2008	Van LANDINGHAM, Jr.	D34/17

D585,621	S *	1/2009	Taillon	D34/21
D618,420	S *	6/2010	Perelli et al.	D34/17
D636,550	S *	4/2011	Molayem	D34/21
D640,436	S *	6/2011	Perelli et al.	D34/17
2004/0212162	A1 *	10/2004	Calmeise et al.	280/47.35
2004/0227315	A1 *	11/2004	Van LANDINGHAM, Jr.	280/47.35

**OTHER PUBLICATIONS**

Agio Charleston Furniture Set, photographs taken at Costco Wholesale Corporation on Feb. 21, 2010, 4 pages.

Home Decorators Collection, "Fiesta Beverage Cart," p. 1, [http://www.homedecorators.com/P/Fiesta\\_Beverage\\_Cart/810/](http://www.homedecorators.com/P/Fiesta_Beverage_Cart/810/) (last visited Dec. 28, 2011).

\* cited by examiner

*Primary Examiner* — Cynthia Ramirez

(74) *Attorney, Agent, or Firm* — Leanne Taveggia Farrell; Westman, Champlin & Kelly, P.A.

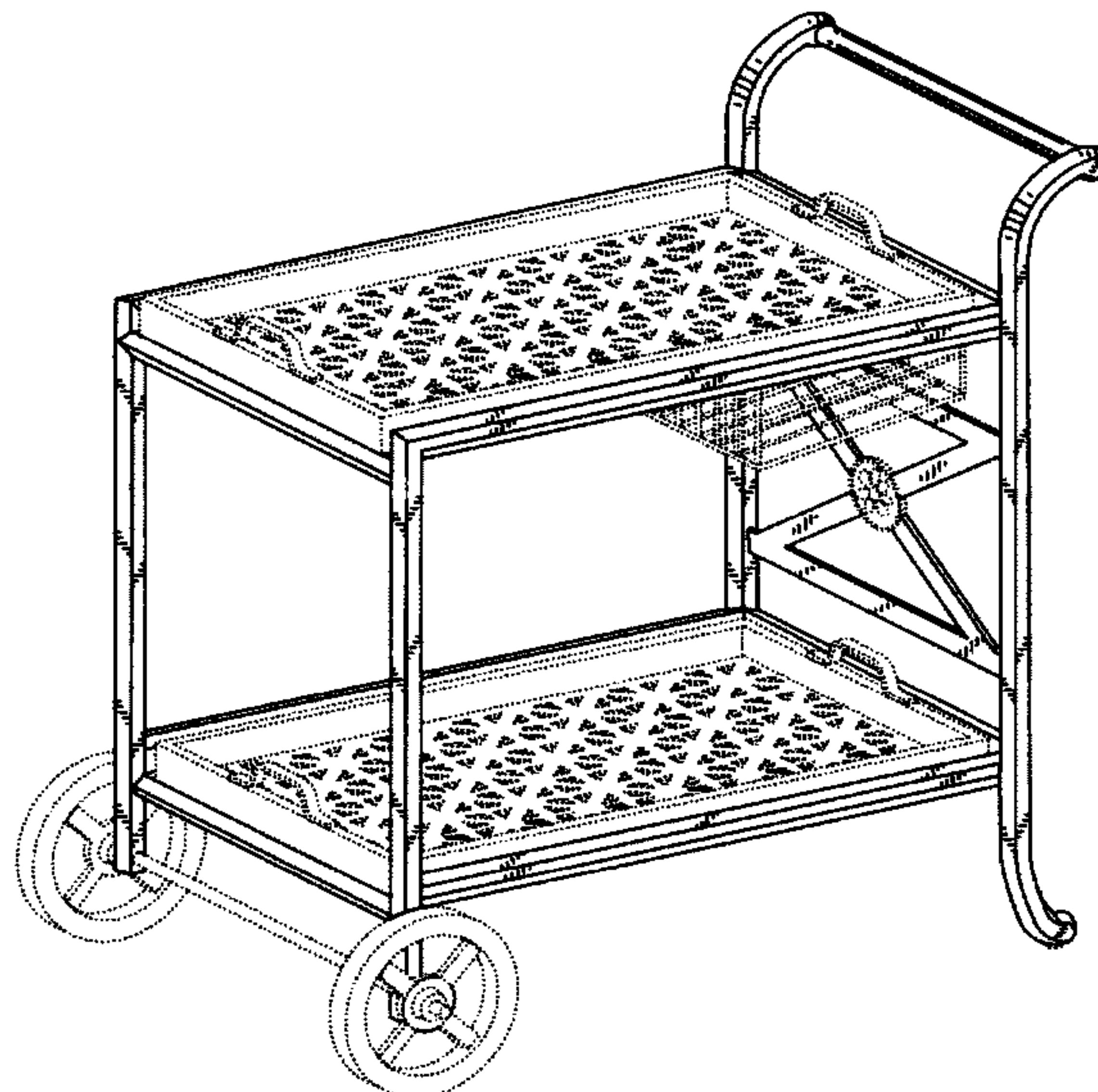
(57) **CLAIM**

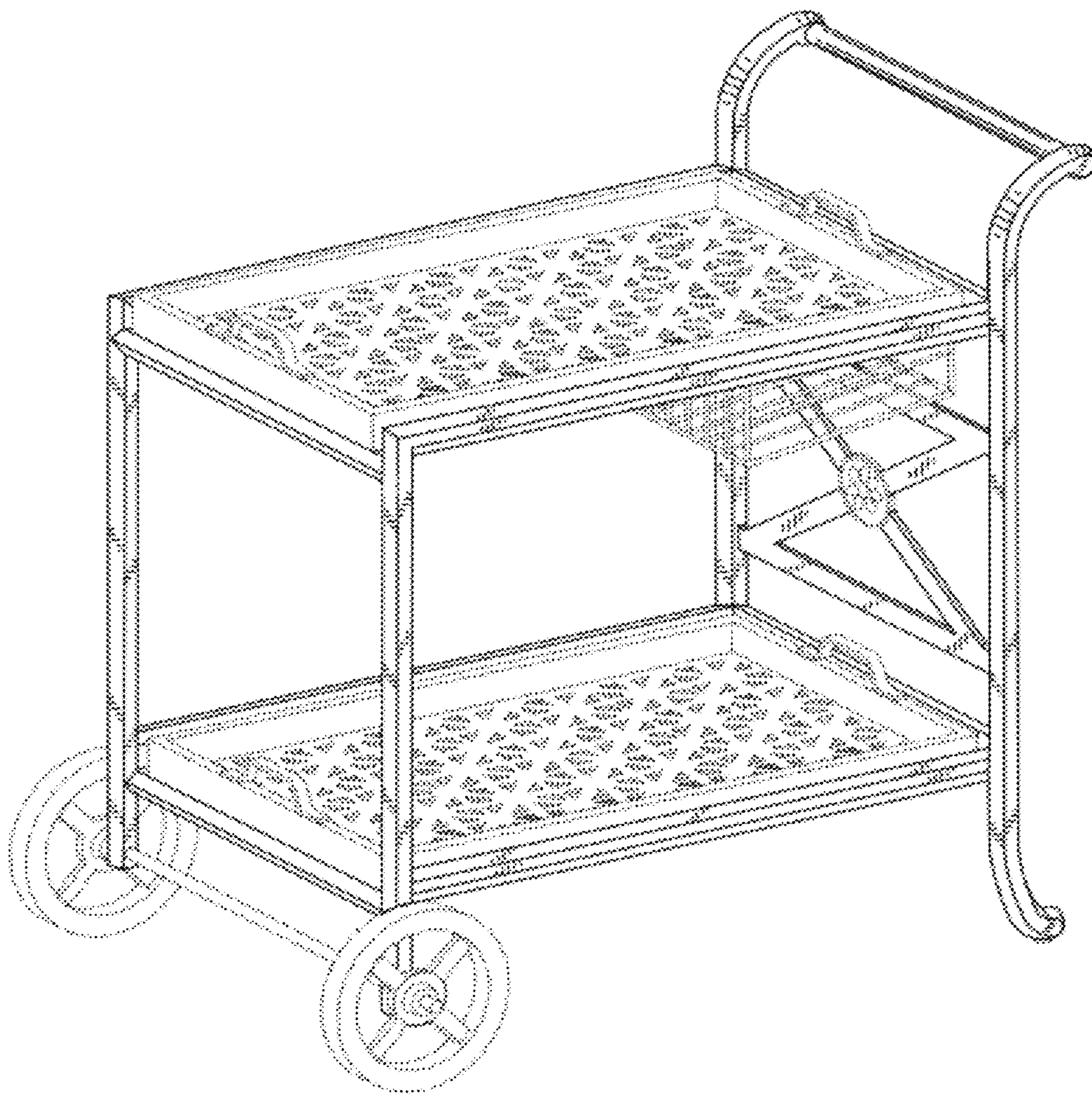
The ornamental design for a beverage cart, as shown and described.

**DESCRIPTION**

FIG. 1 is a perspective view of the beverage cart; FIG. 2 is a top view thereof; FIG. 3 is a bottom view thereof; FIG. 4 is a left side view thereof; FIG. 5 is a right side view thereof; FIG. 6 is a front end view thereof; and, FIG. 7 is a back end view thereof. The broken lines illustrated in FIGS. 1-7 form no part of the claimed design.

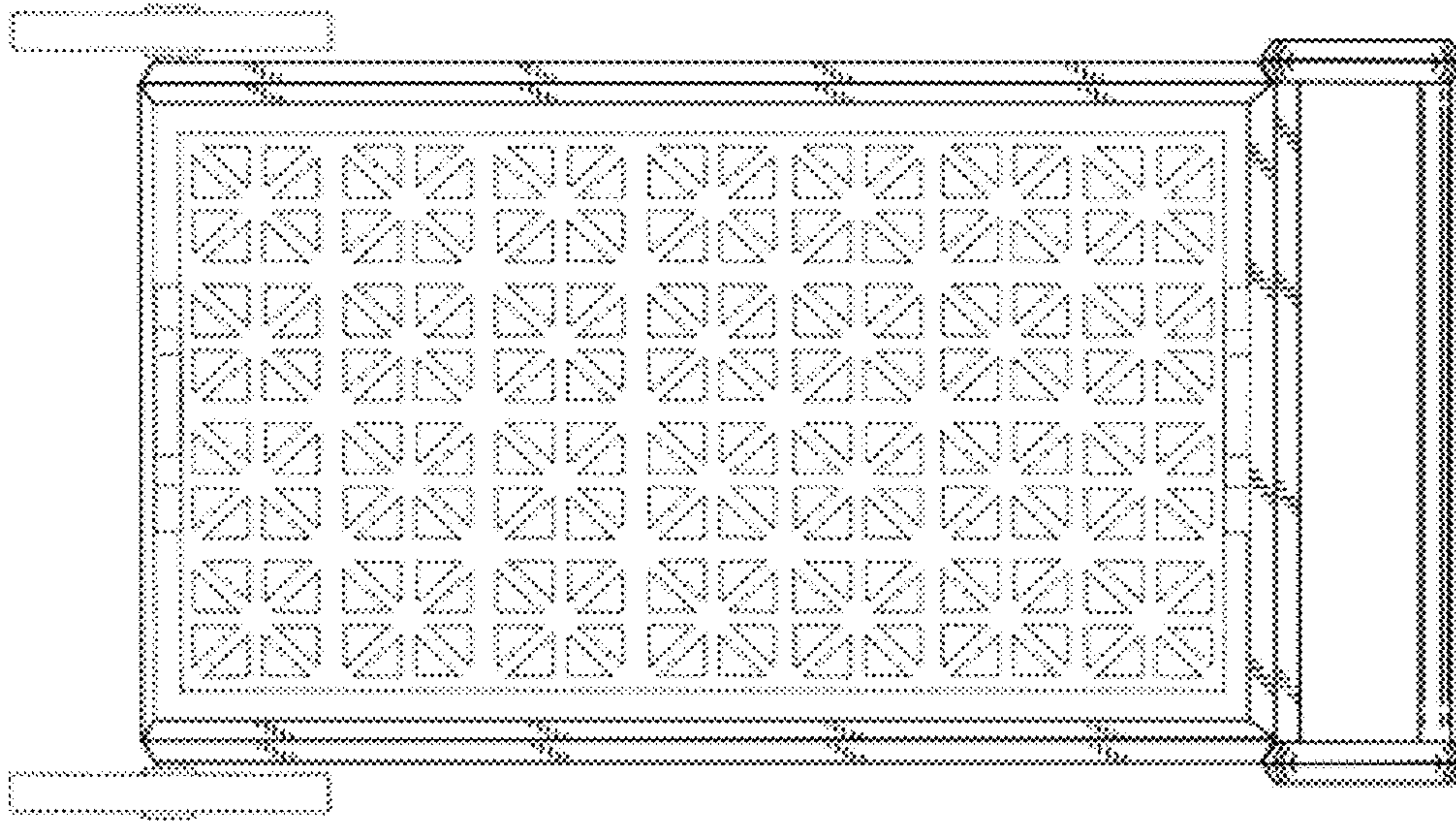
**1 Claim, 6 Drawing Sheets**



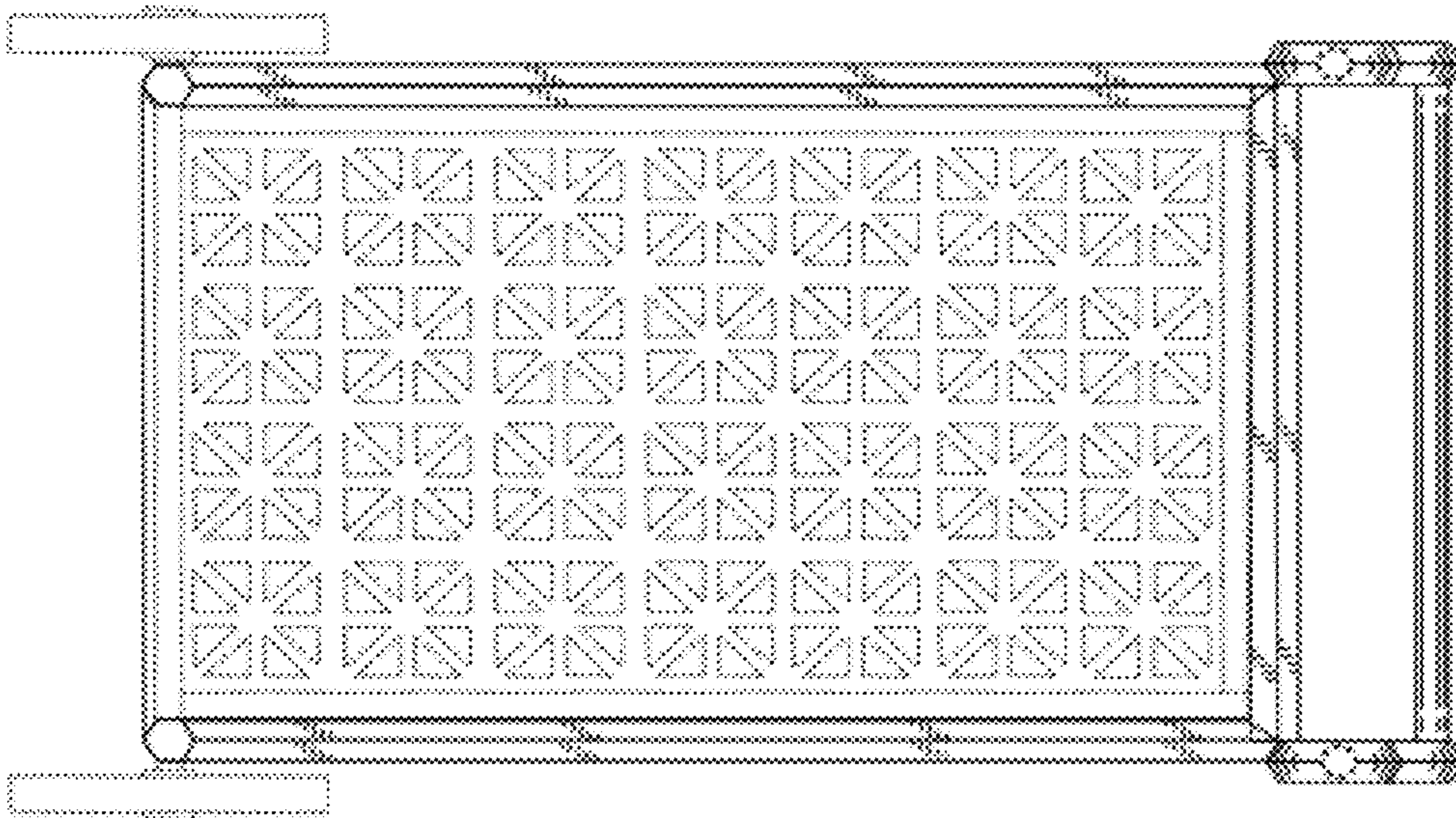


*FIG. 1*

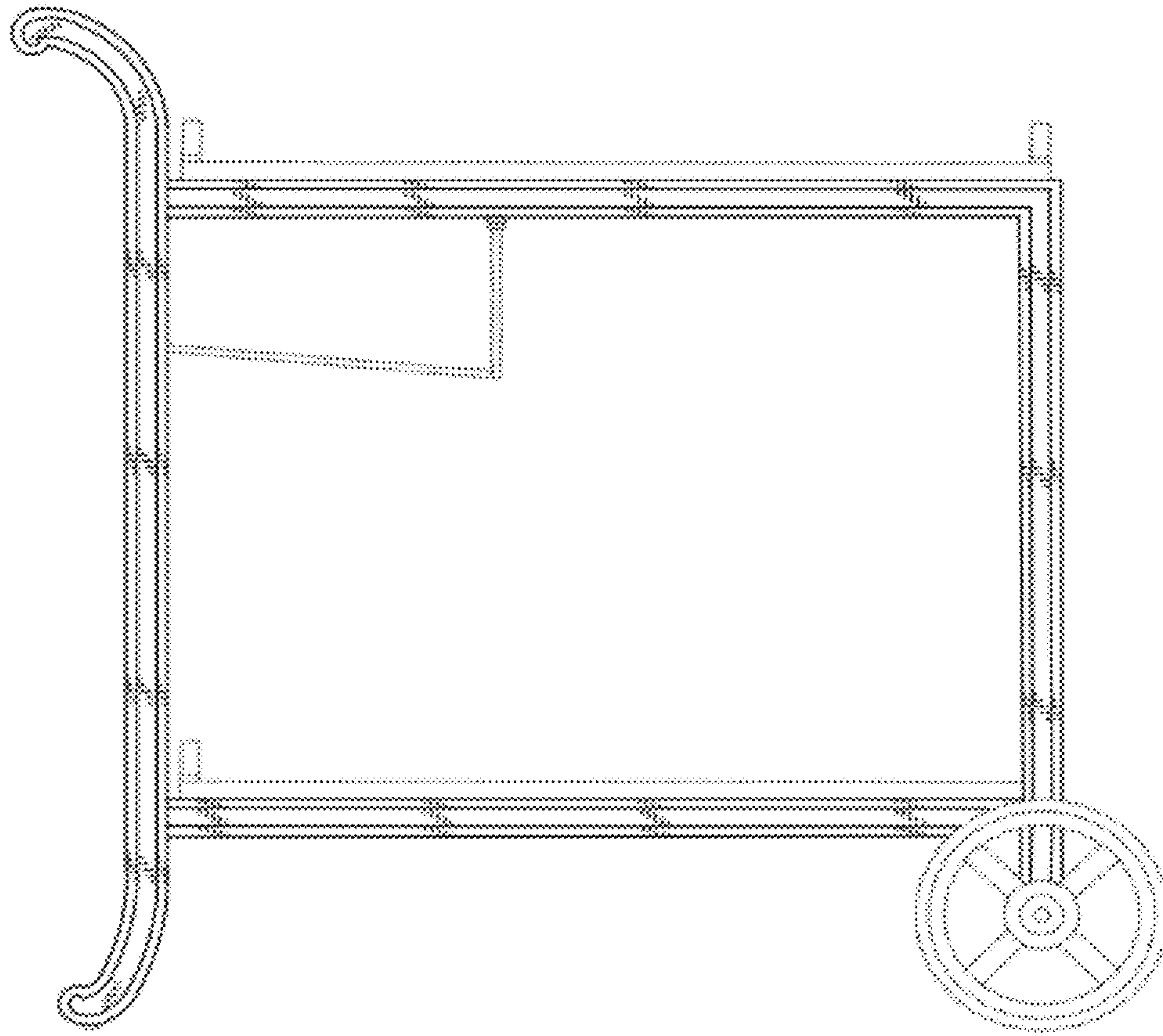




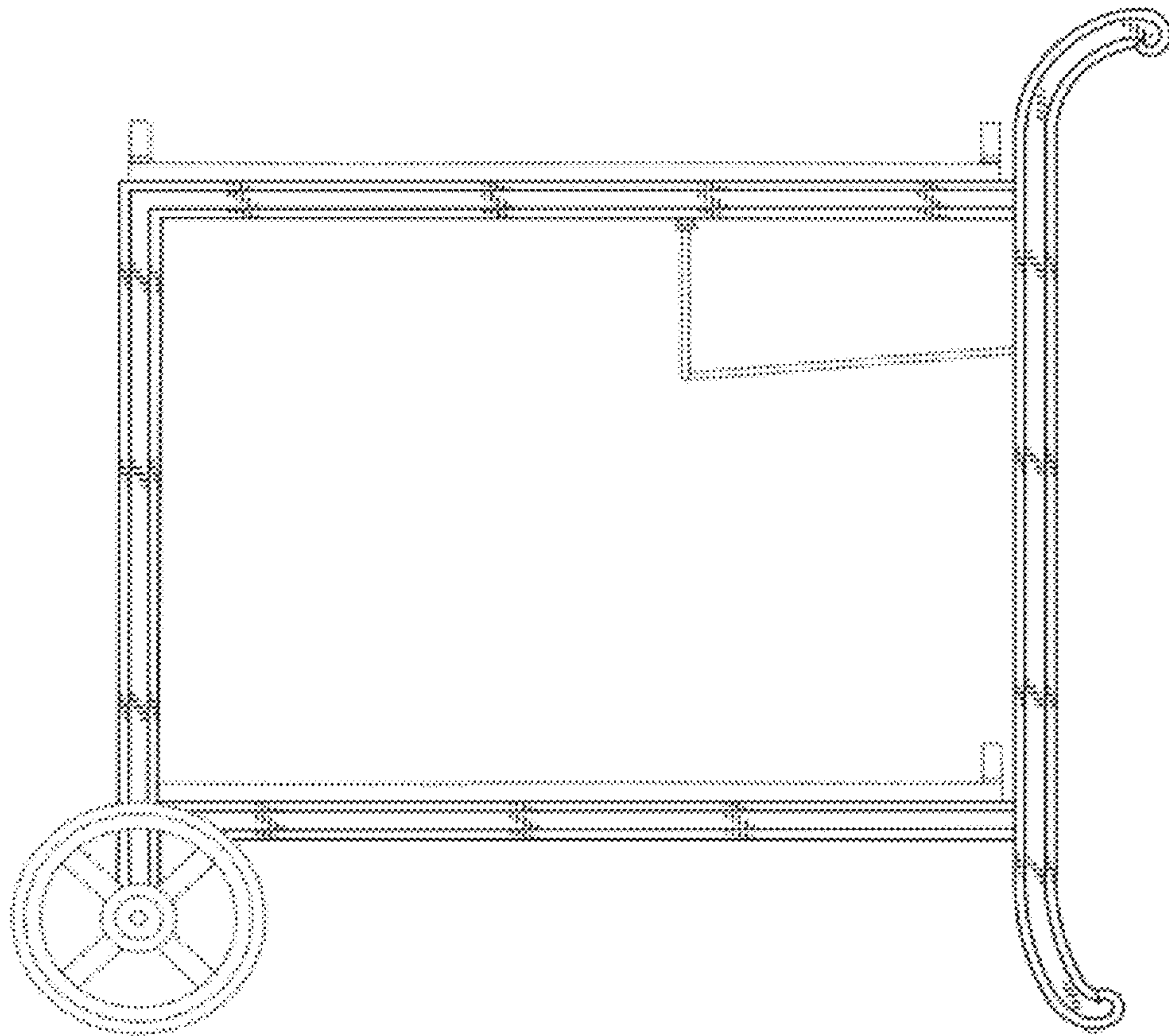
*FIG. 2*



*FIG. 3*

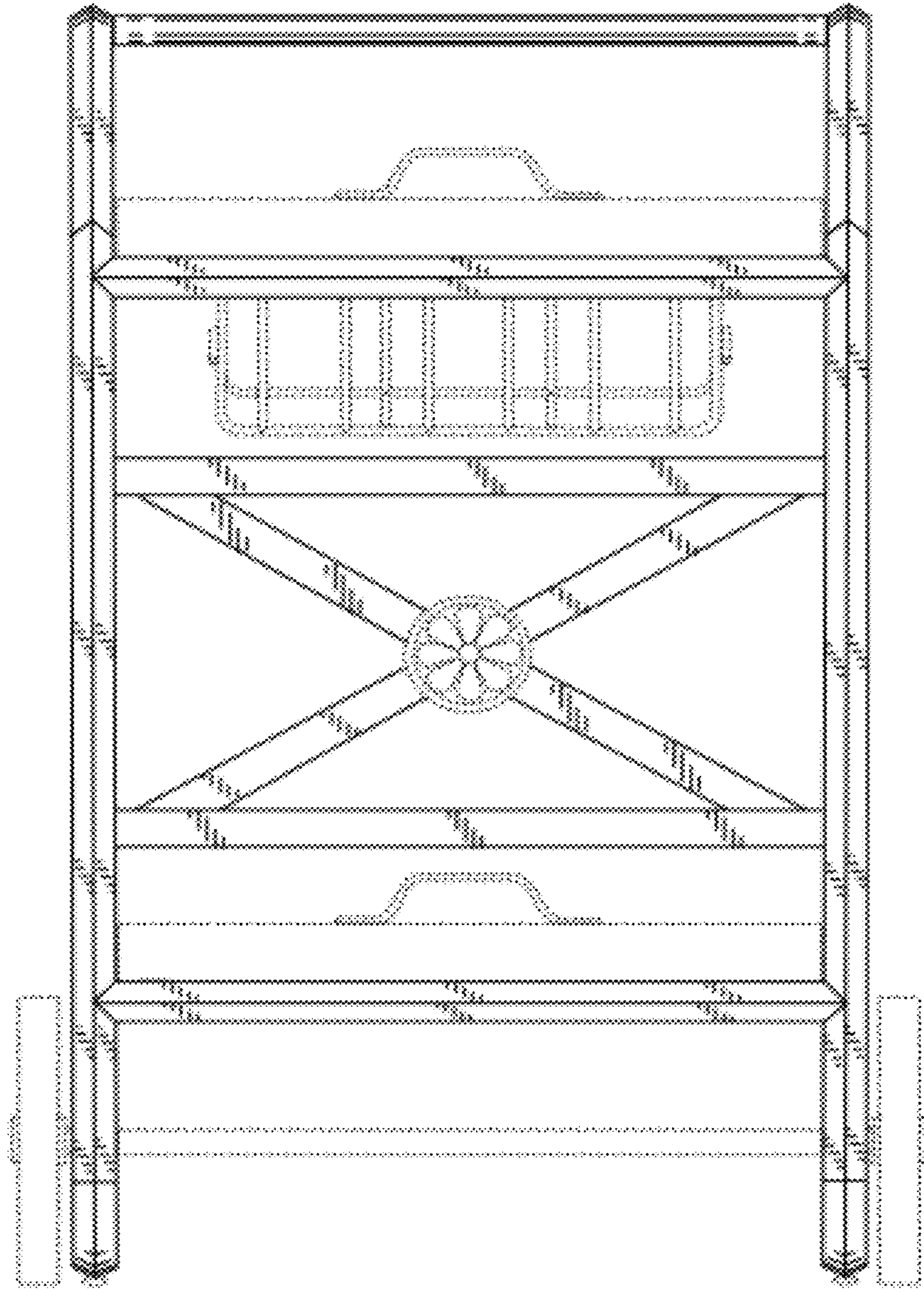


*FIG. 4*

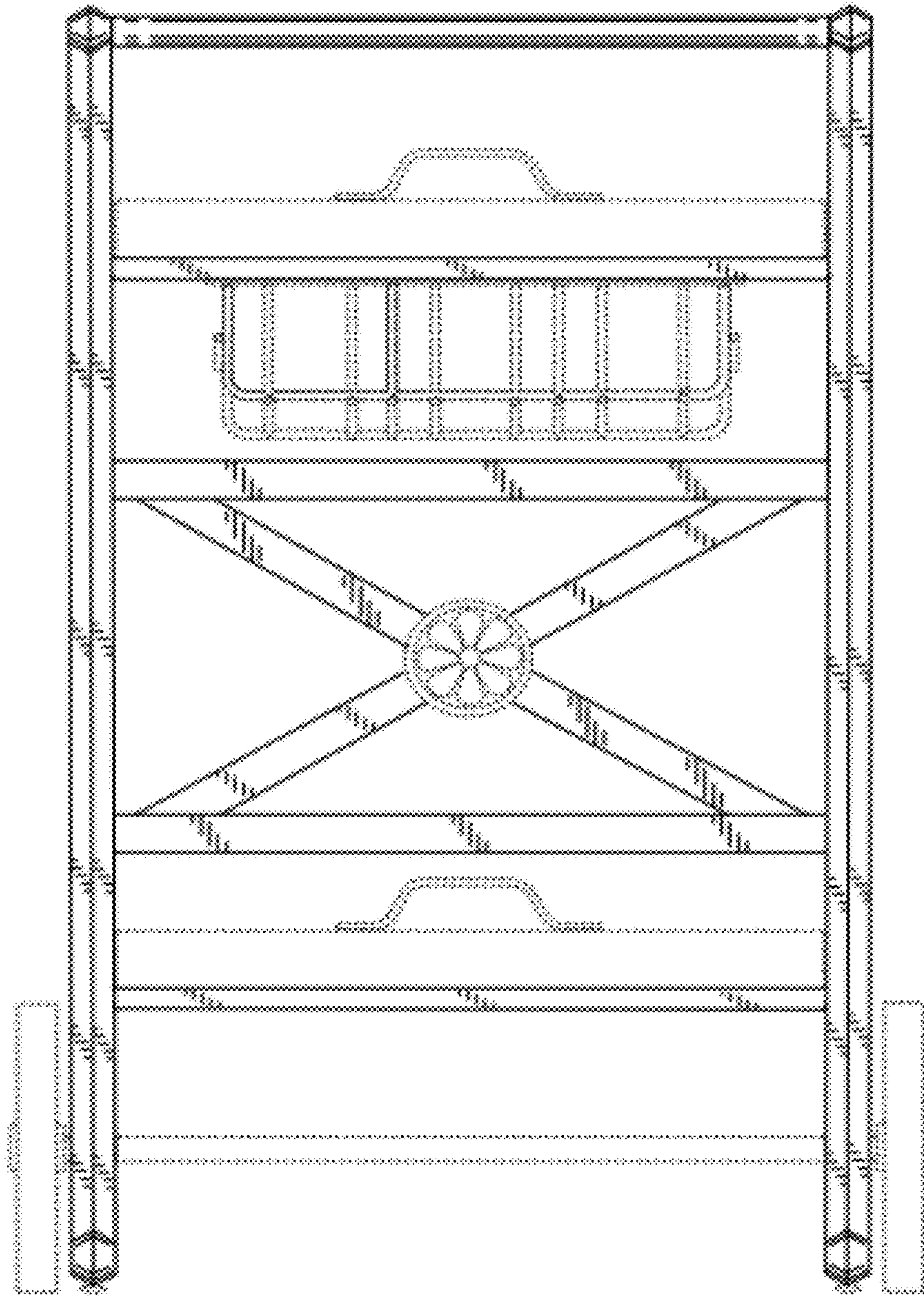


*FIG. 5*





*FIG. 6*



*FIG. 7*