



US00D675391S

(12) **United States Design Patent**
Arvinte et al.

(10) **Patent No.:** **US D675,391 S**

(45) **Date of Patent:** **** Jan. 29, 2013**

(54) **JUMBO PAINT TRAY**

(75) Inventors: **Roméo Arvinte**, Laval-des-Rapides (CA); **François Panfili**, Berthierville (CA)

(73) Assignee: **A. Richard Tools Co./Outils A. Richard Co.**, Berthierville, Quebec (CA)

(**) Term: **14 Years**

(21) Appl. No.: **29/399,108**

(22) Filed: **Aug. 9, 2011**

(30) **Foreign Application Priority Data**

Feb. 25, 2011 (CA) 139403

(51) **LOC (9) Cl.** **07-07**

(52) **U.S. Cl.** **D32/53.1**

(58) **Field of Classification Search** D32/53-54;
15/257.06; 220/570, 495.01, 495.02

See application file for complete search history.

(56) **References Cited**

U.S. PATENT DOCUMENTS

D264,897 S *	6/1982	Smith	D32/53.1
D301,785 S *	6/1989	Goetz	D32/53.1
D302,614 S *	8/1989	Beatty	D32/53.1
D302,881 S *	8/1989	Lussier et al.	D32/53.1
D583,521 S *	12/2008	Arvinte et al.	D32/53.1
D586,056 S *	2/2009	Shea	D32/53.1
D586,515 S *	2/2009	Arvinte et al.	D32/53.1
D586,516 S *	2/2009	Moon	D32/53.1
7,963,418 B2 *	6/2011	Arvinte et al.	220/495.02

* cited by examiner

Primary Examiner — Robin V Webster

(74) *Attorney, Agent, or Firm* — Merchant & Gould P.C.

(57) **CLAIM**

The ornamental design for a jumbo paint tray, as shown and described.

DESCRIPTION

FIG. 1 is a top perspective view of a jumbo paint tray showing our new design.

FIG. 2 is a bottom perspective view thereof.

FIG. 3 is a rear elevational view thereof.

FIG. 4 is a front elevational view thereof.

FIG. 5 is a right elevational side view thereof.

FIG. 6 is a left elevational side view thereof.

FIG. 7 is a top plan view thereof.

FIG. 8 is a bottom plan view thereof.

FIG. 9 is another top perspective view thereof, shown provided with wheels.

FIG. 10 is a bottom perspective view thereof.

FIG. 11 is another bottom perspective view thereof, the wheels being shown in an exploded relationship.

FIG. 12 is a perspective view of the tray shown in FIG. 9, the jumbo paint tray being now shown stacked with a plurality of other same trays.

FIG. 13 is a side elevational view thereof.

FIG. 14 is a top plan view thereof.

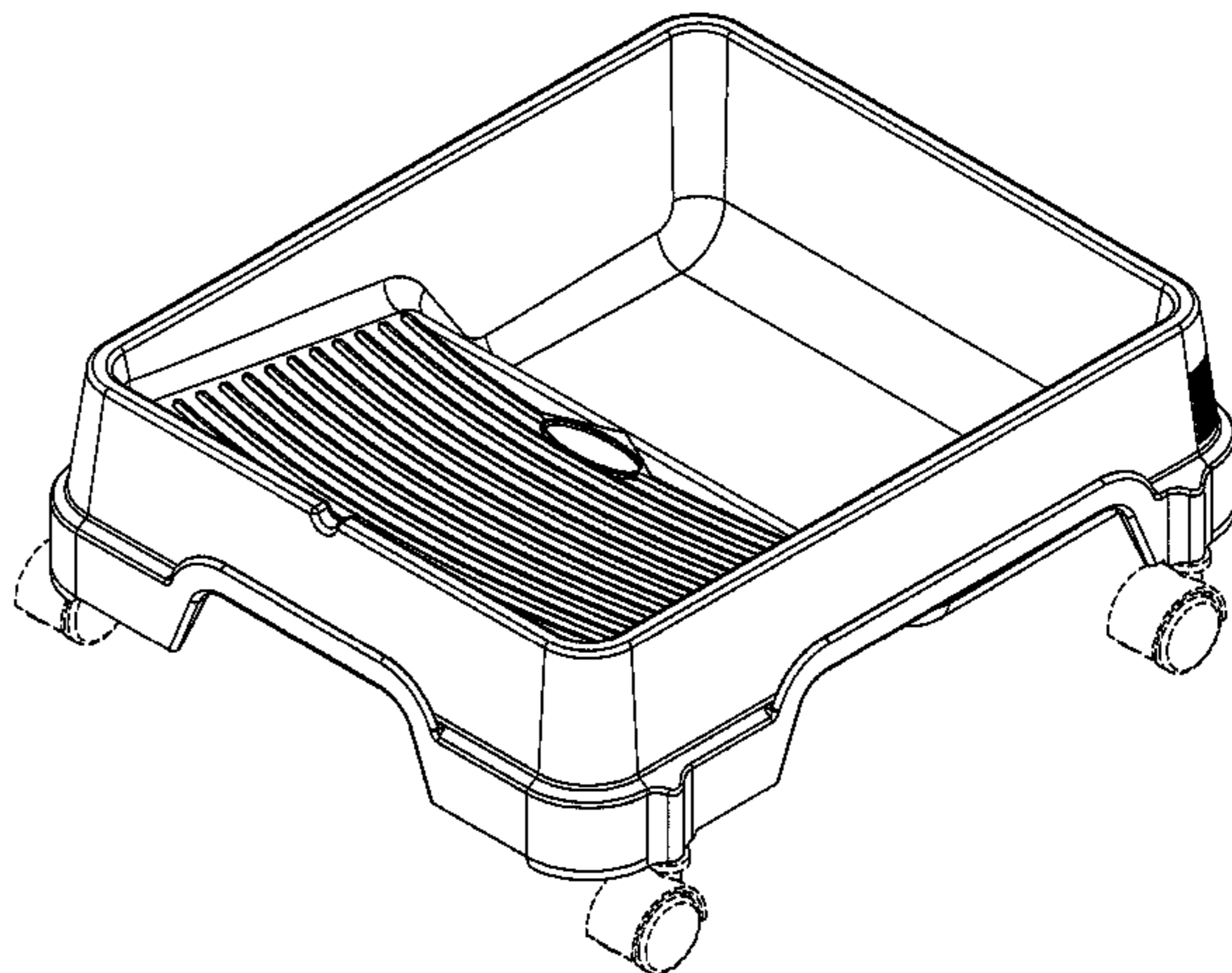
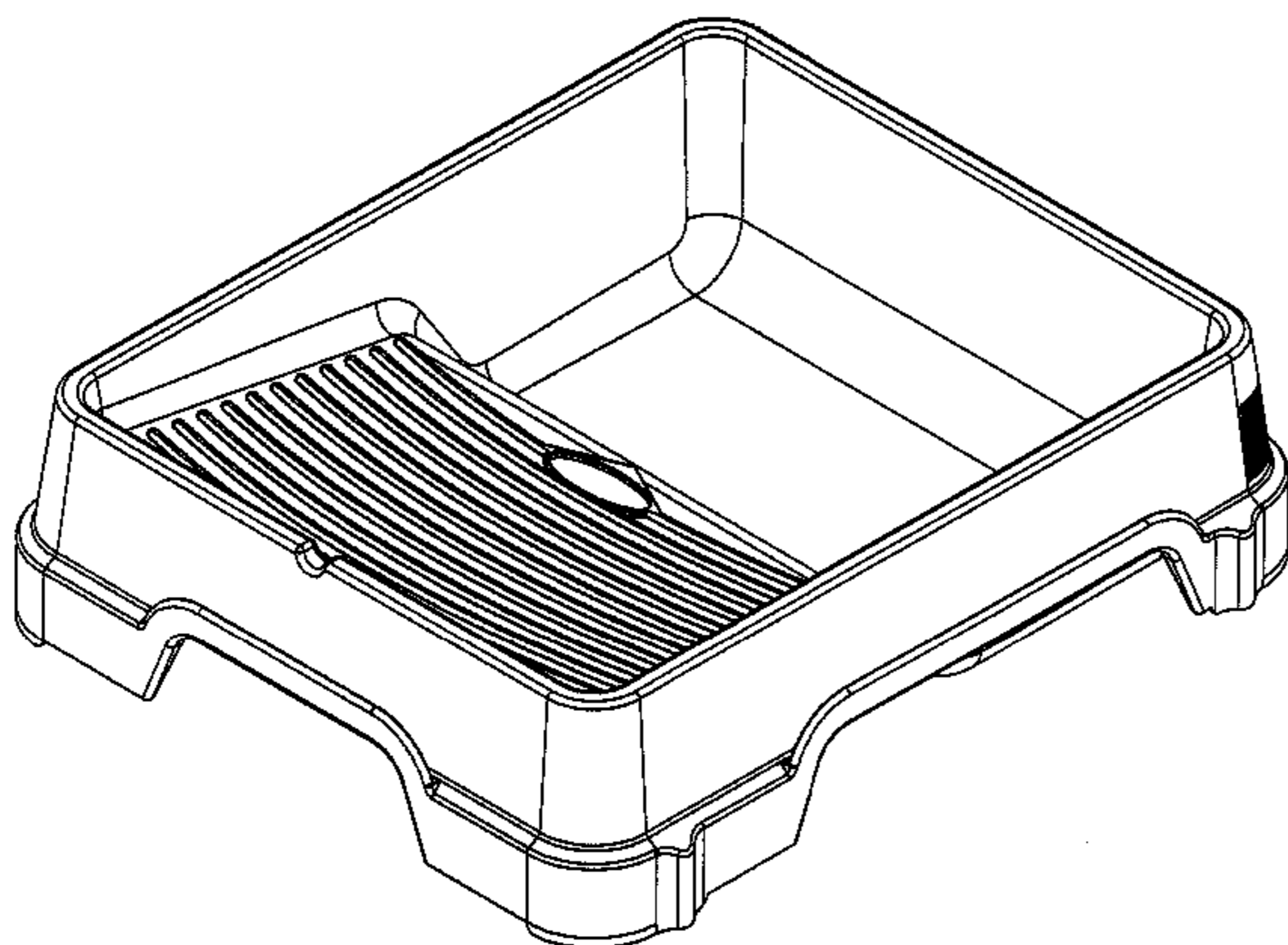
FIG. 15 is sectional view taken along line XV-XV of FIG. 14.

FIG. 16 is another perspective view of the tray shown in FIG. 1; and,

FIG. 17 is a top plan view thereof.

The portions shown in dashed lines form no part of the claimed design.

1 Claim, 16 Drawing Sheets



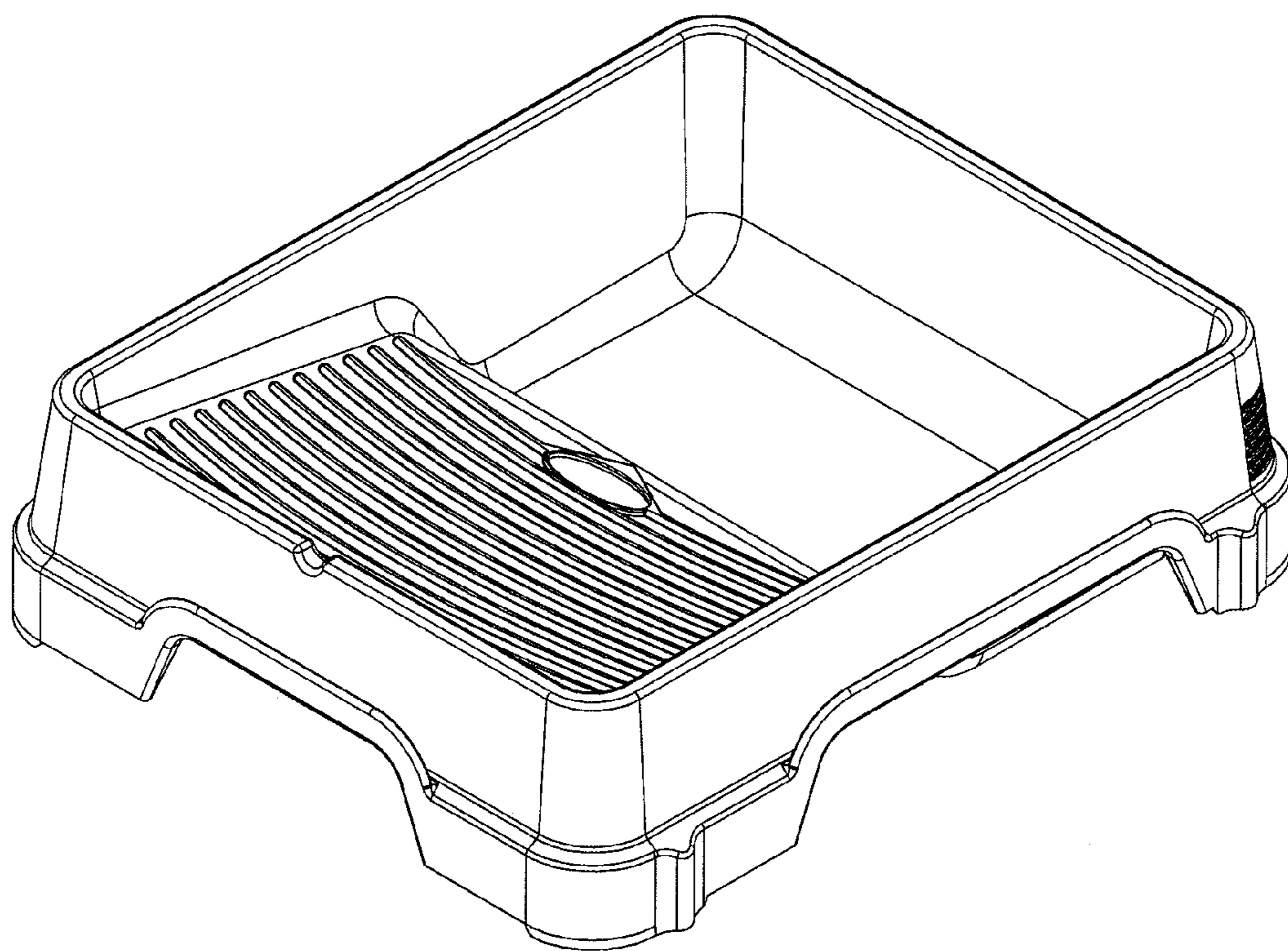


FIG. 1

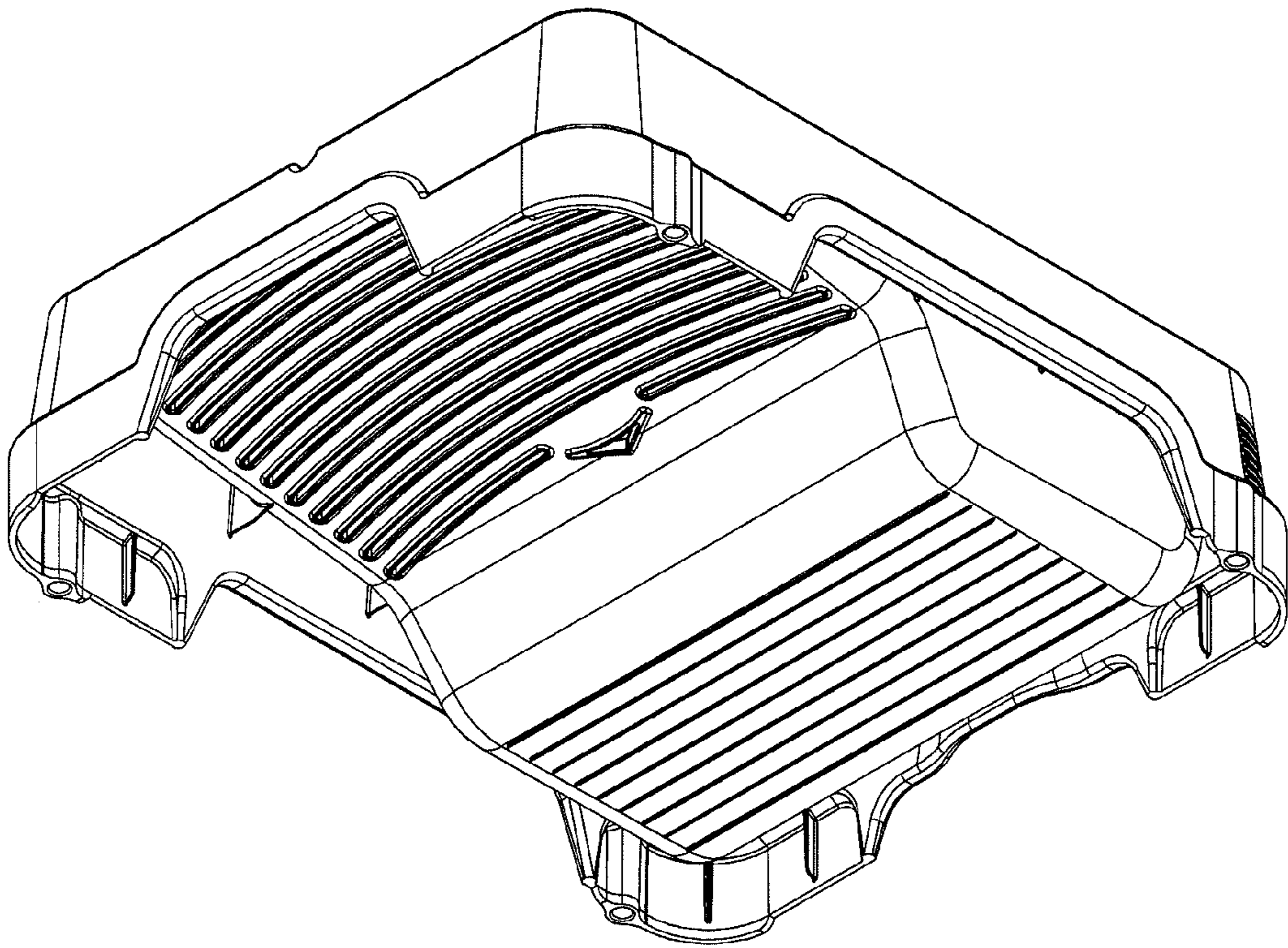


FIG. 2

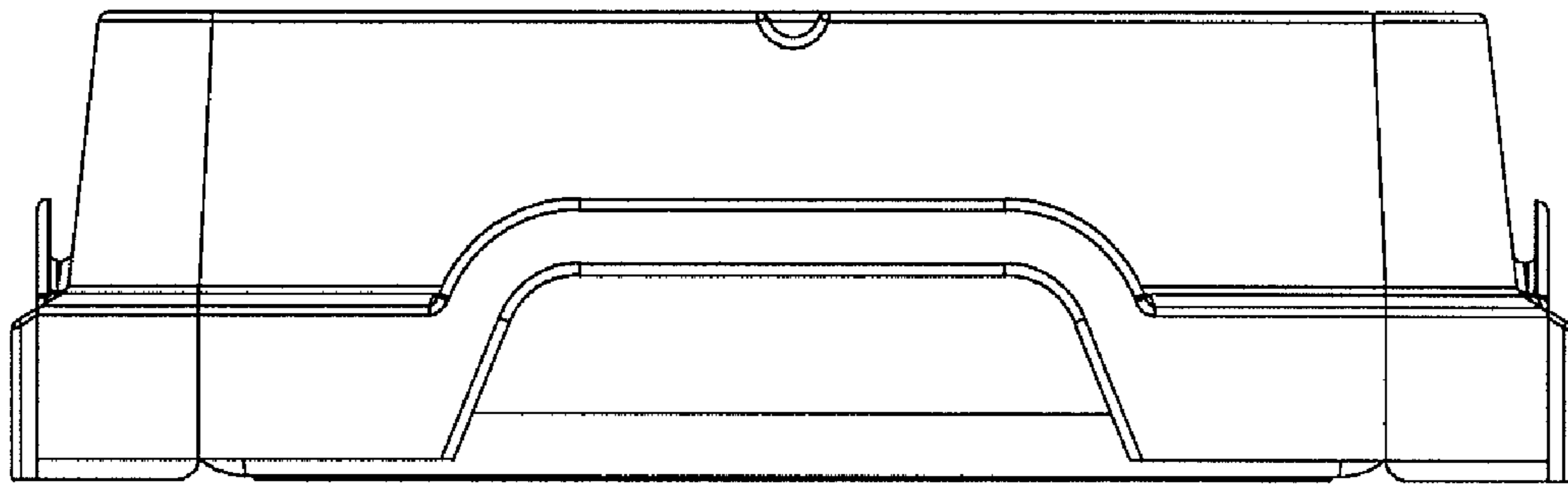


FIG. 3

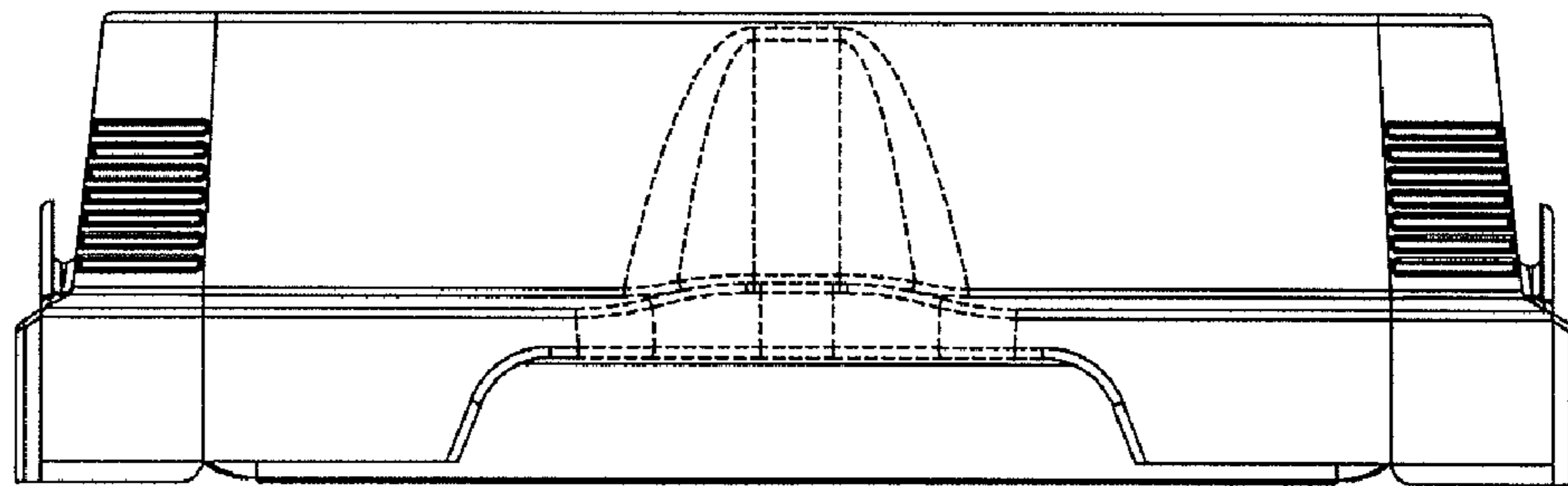


FIG. 4

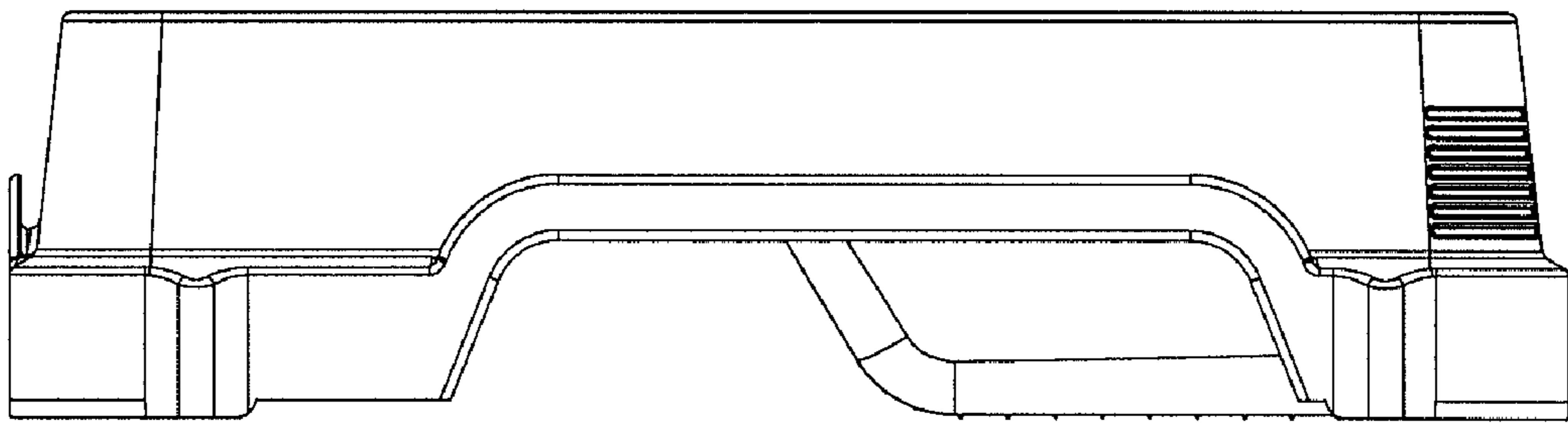


FIG. 5

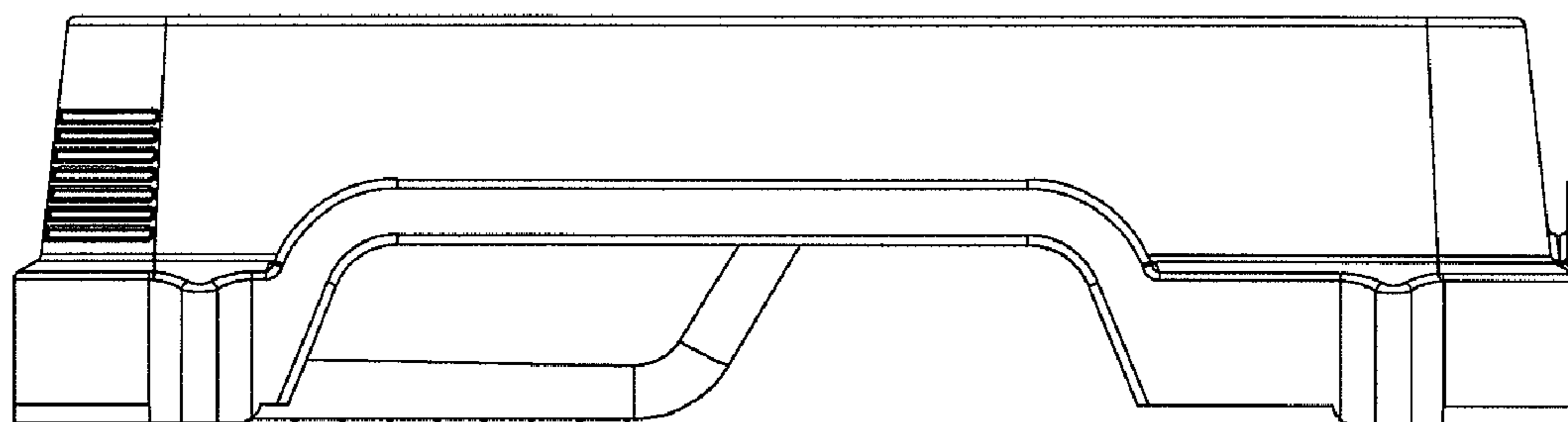


FIG. 6

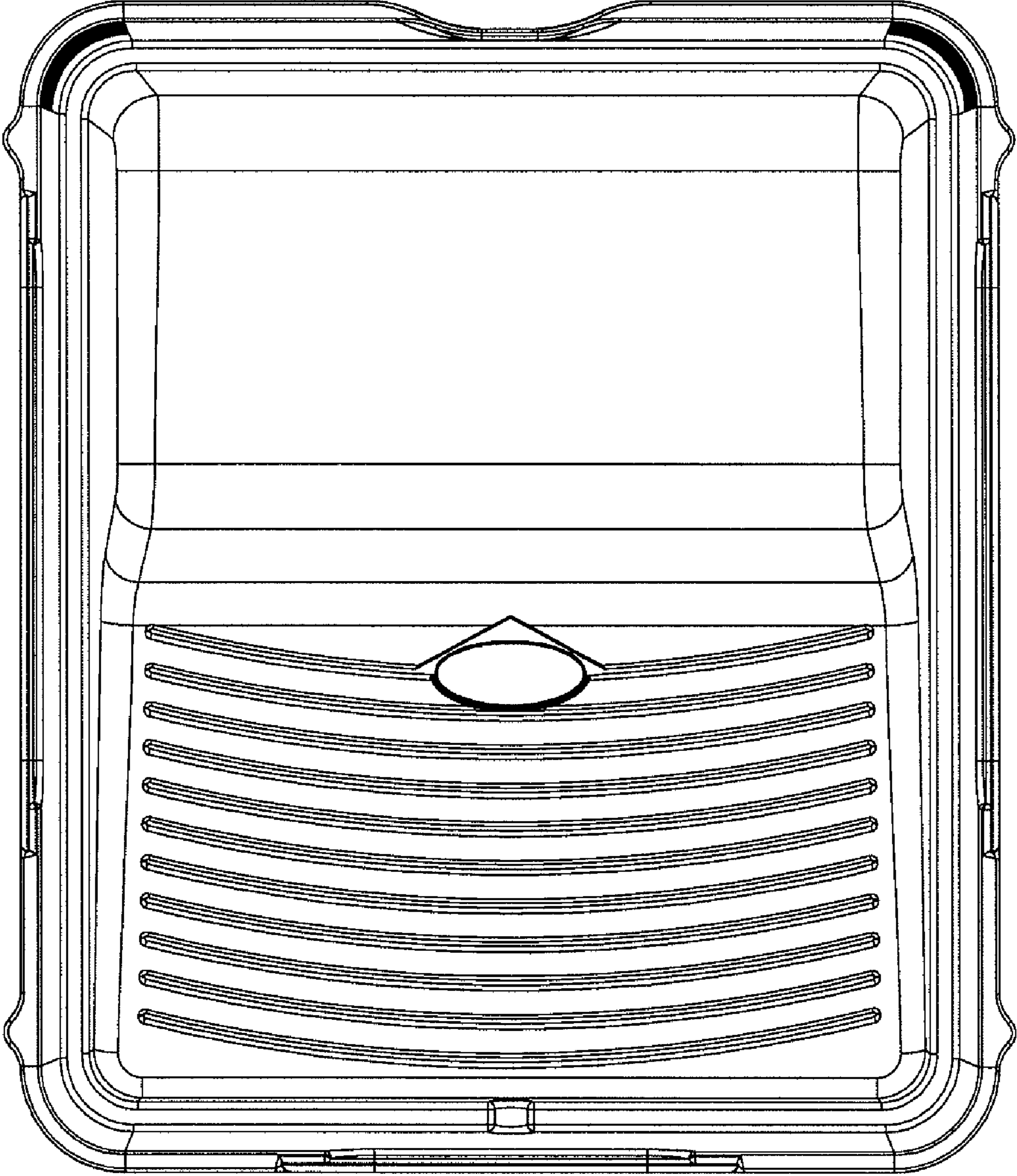


FIG. 7

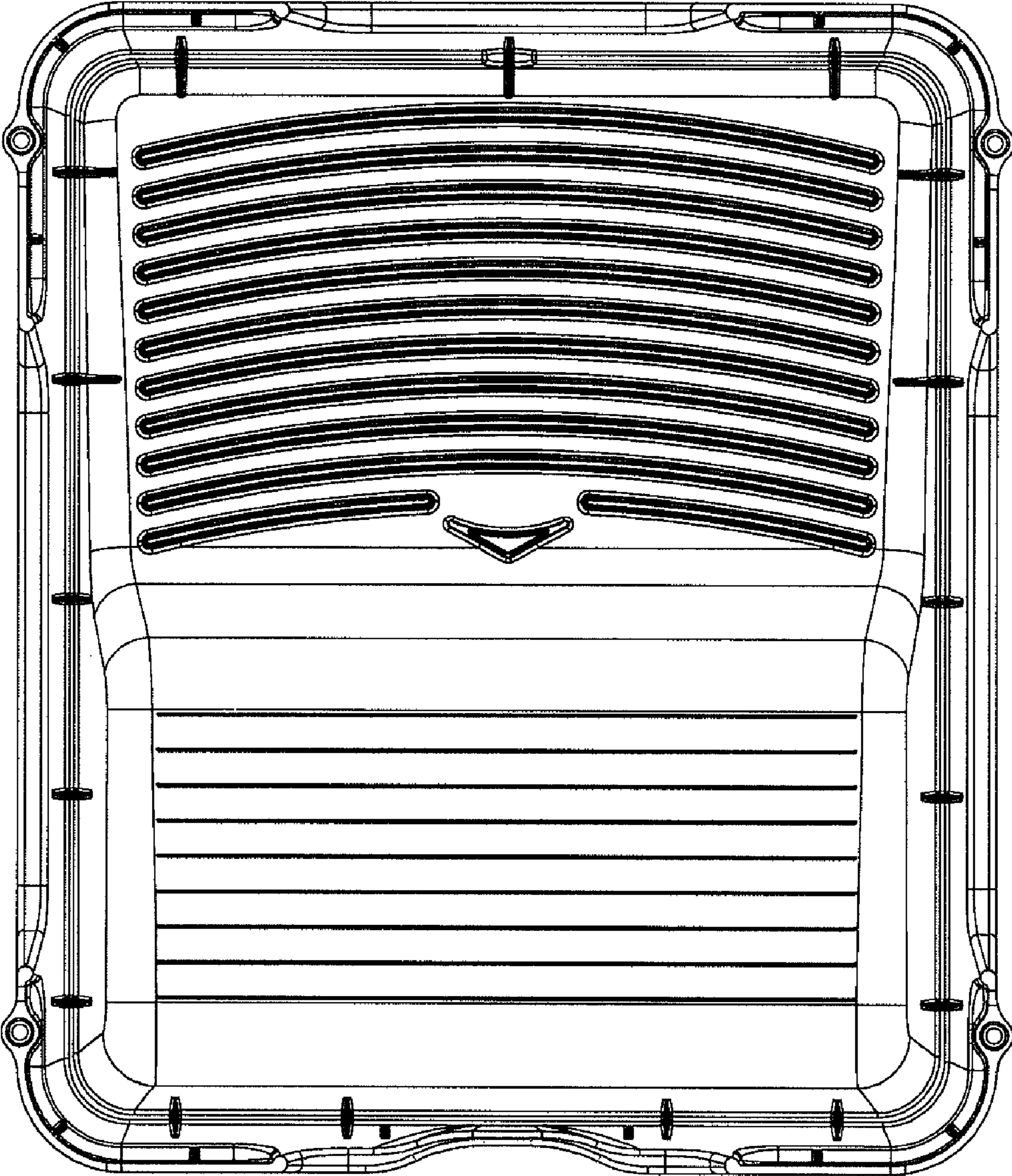


FIG. 8

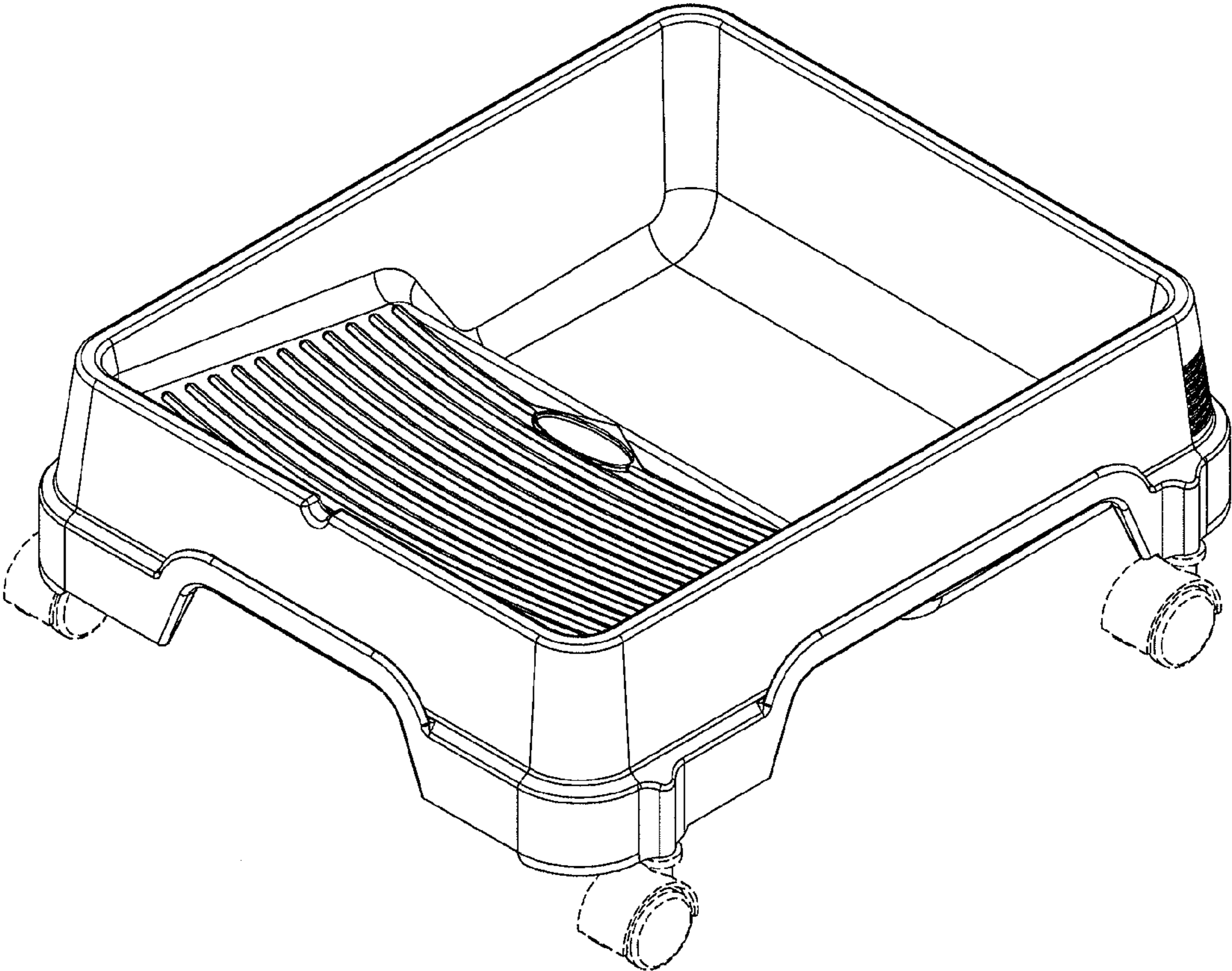


FIG. 9

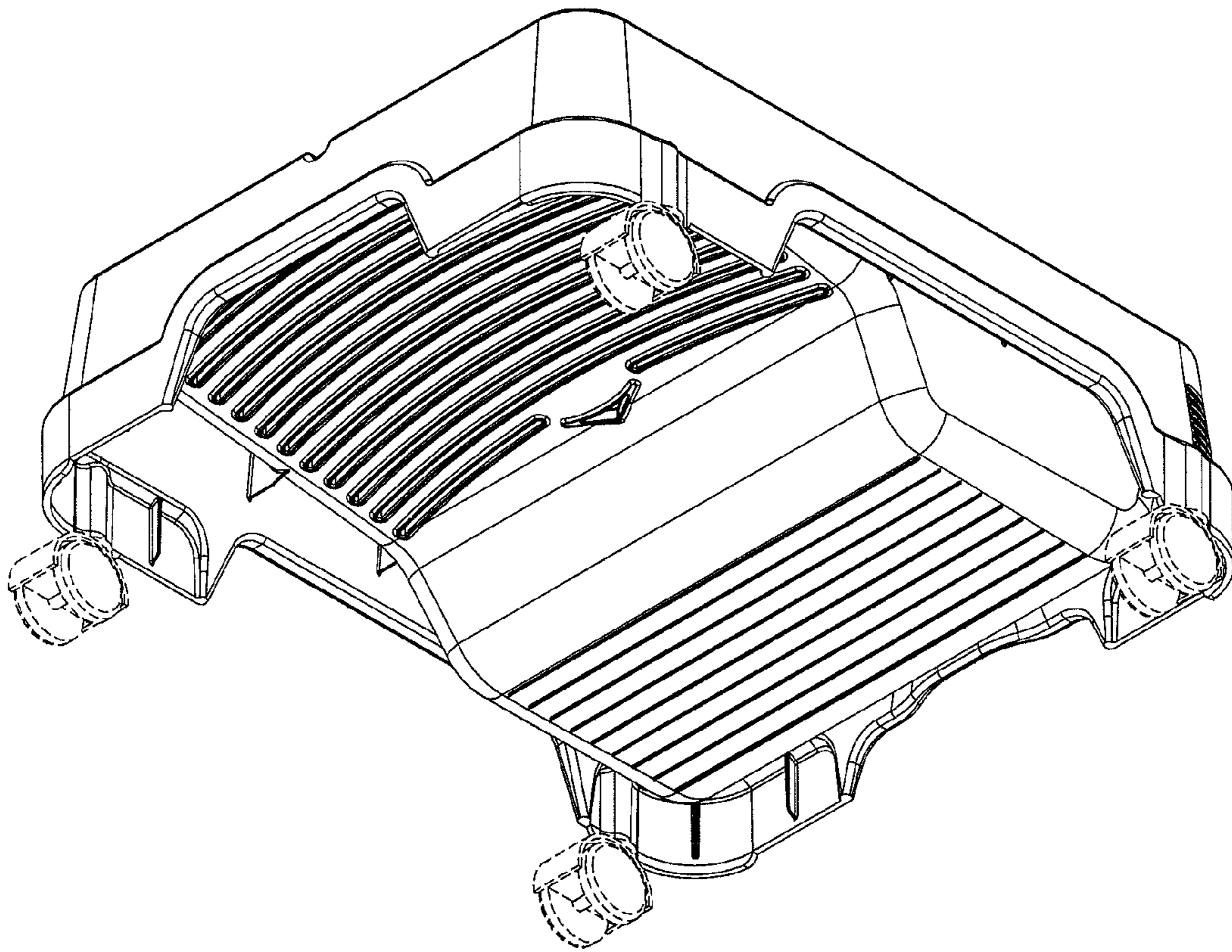


FIG. 10

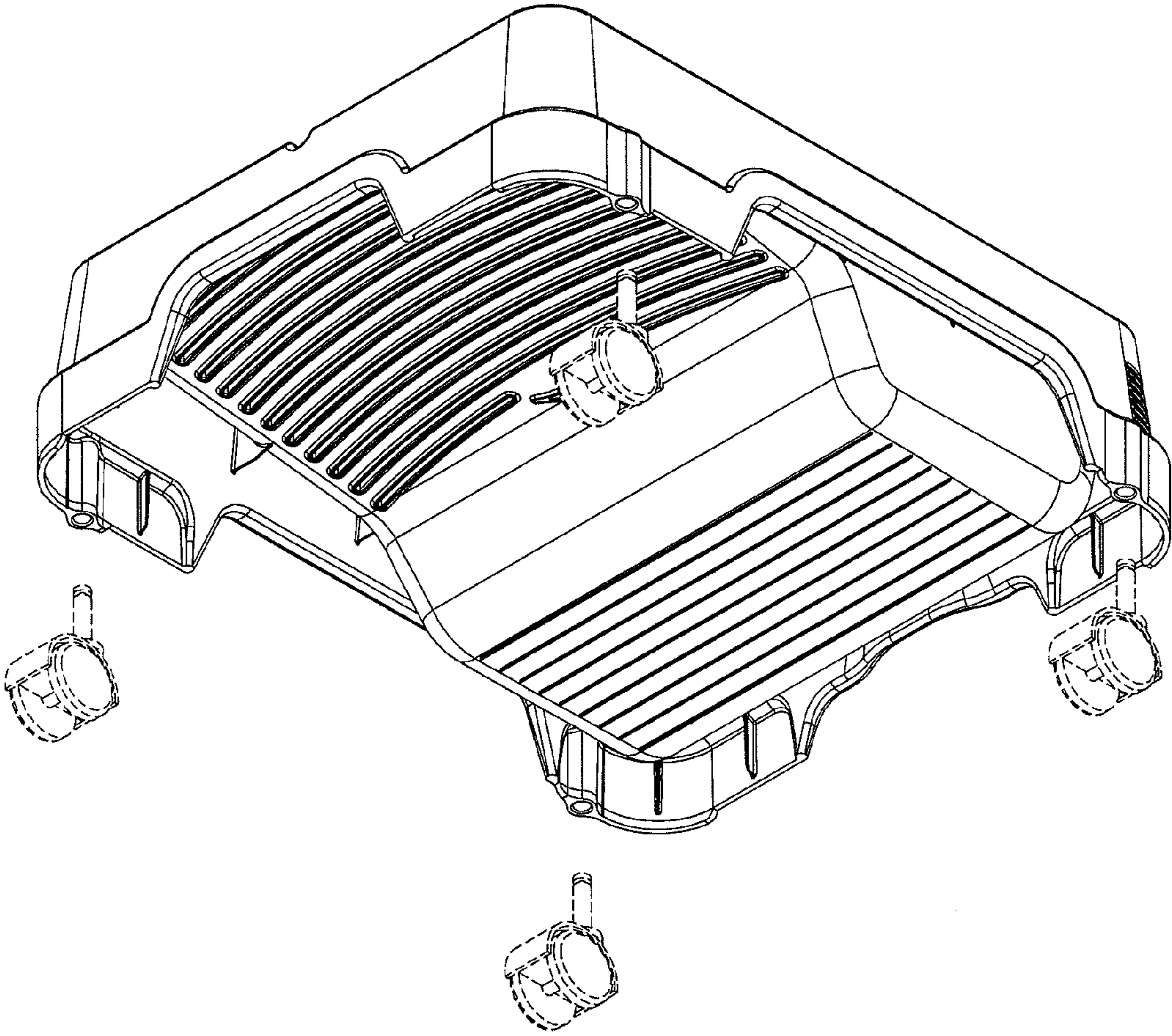


FIG. 11

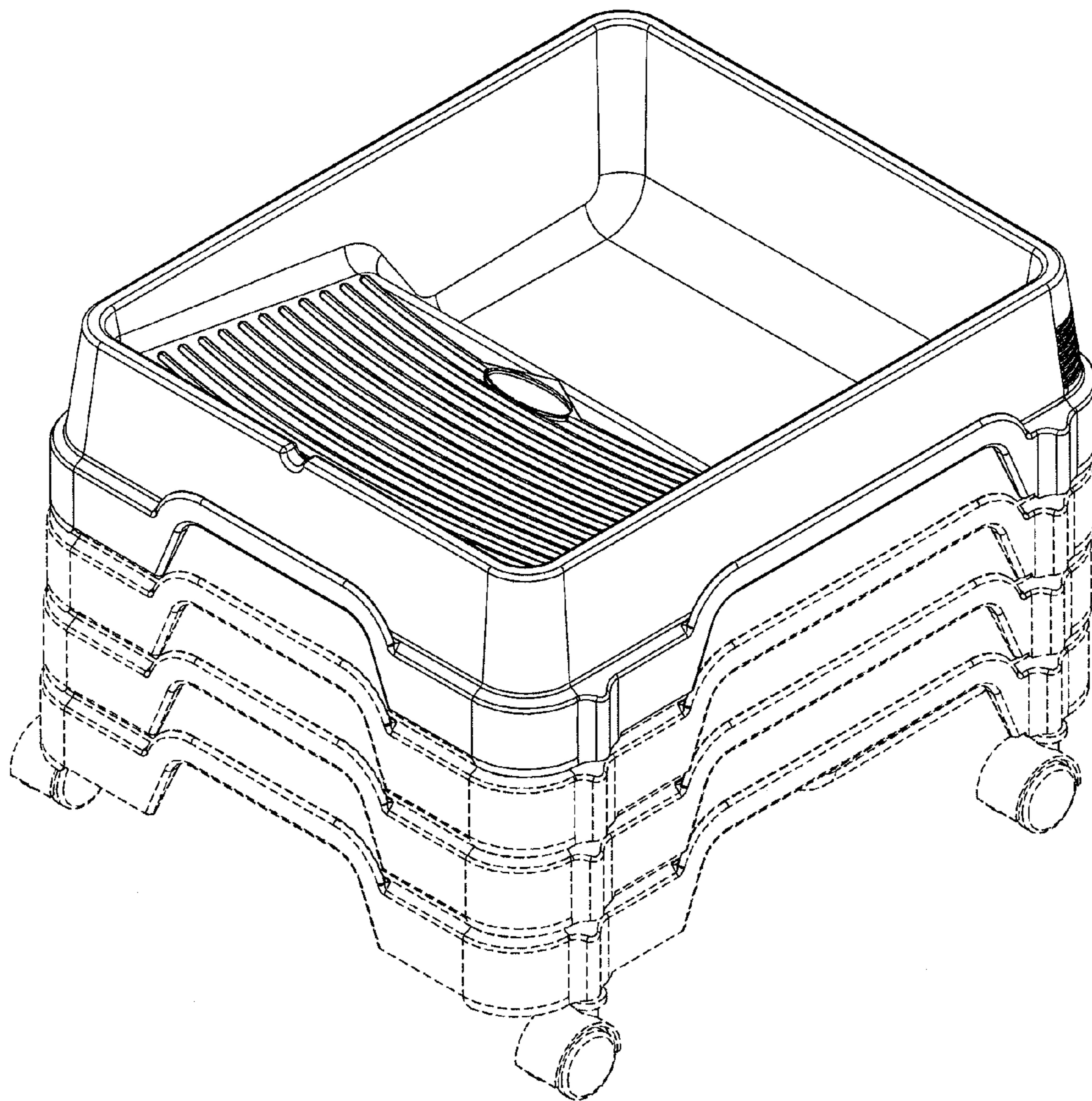


FIG. 12

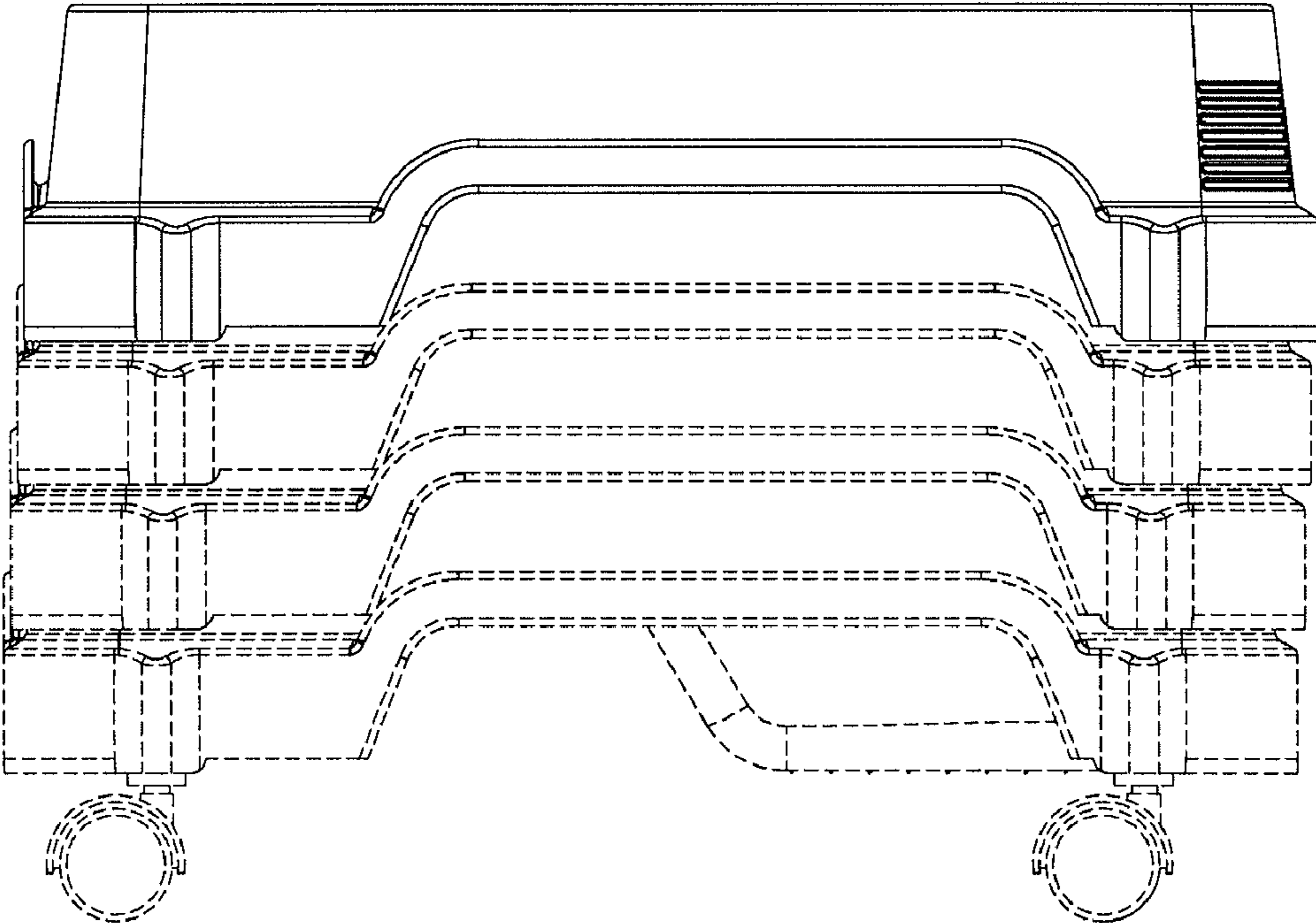


FIG. 13

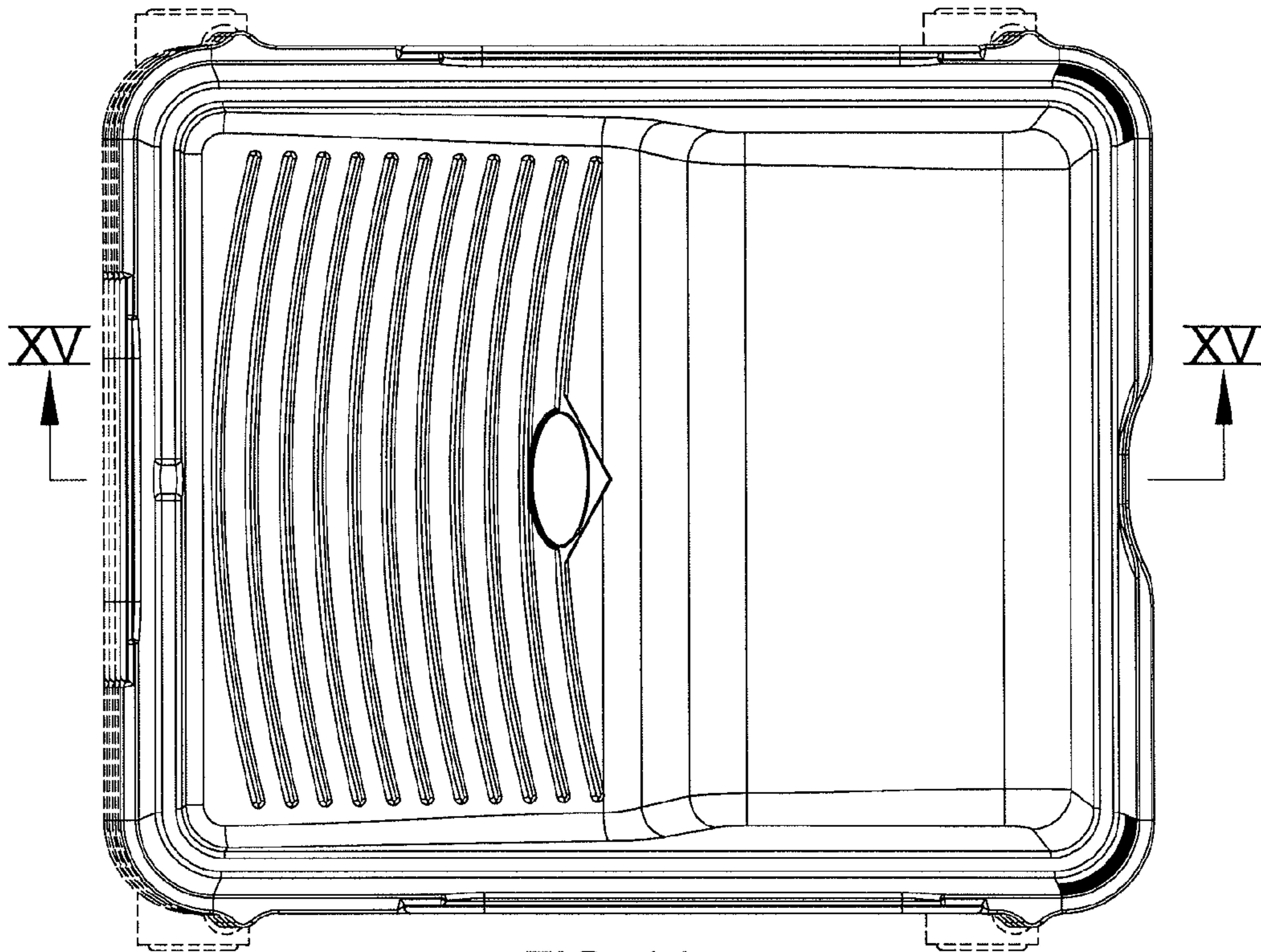


FIG. 14

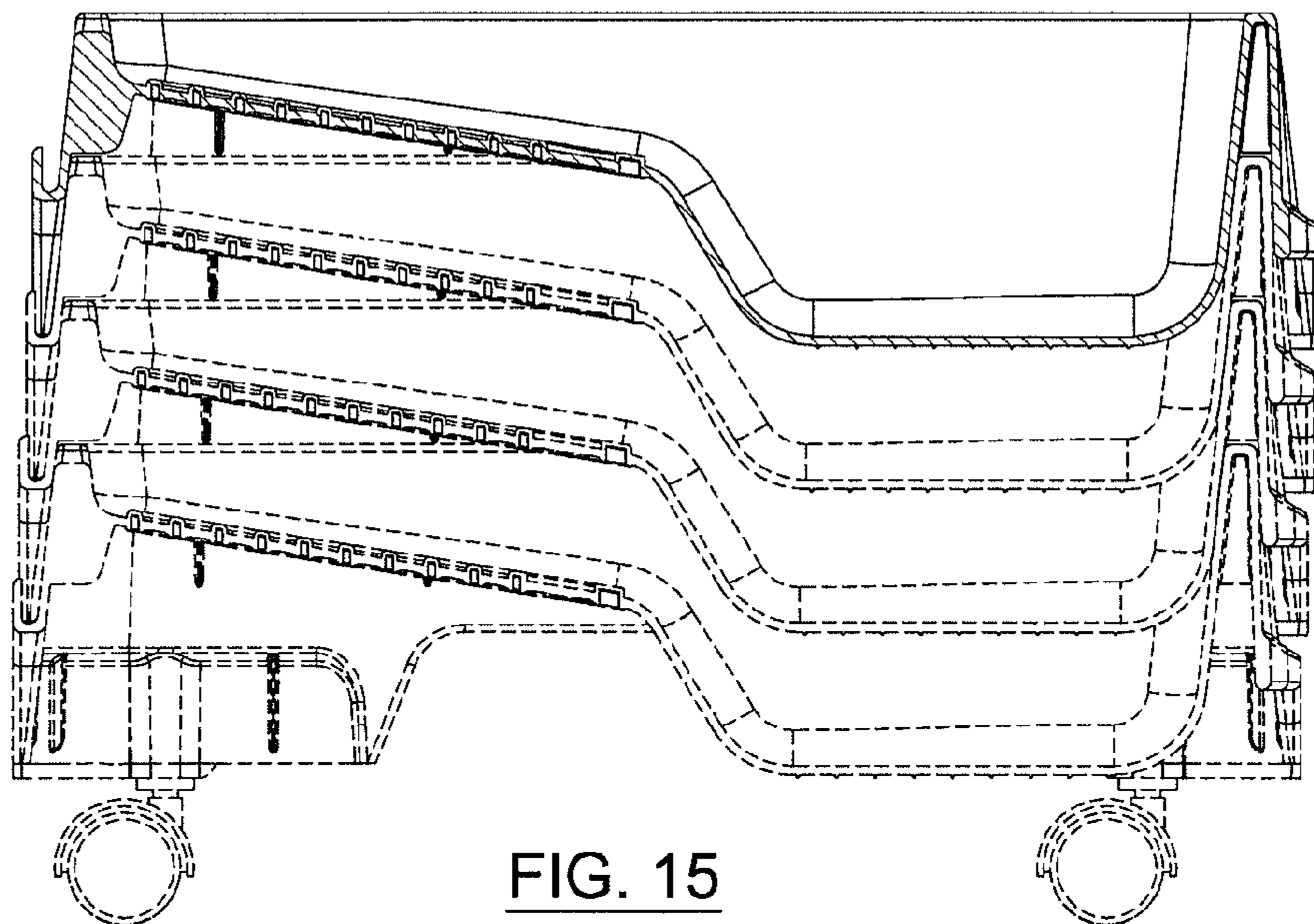


FIG. 15

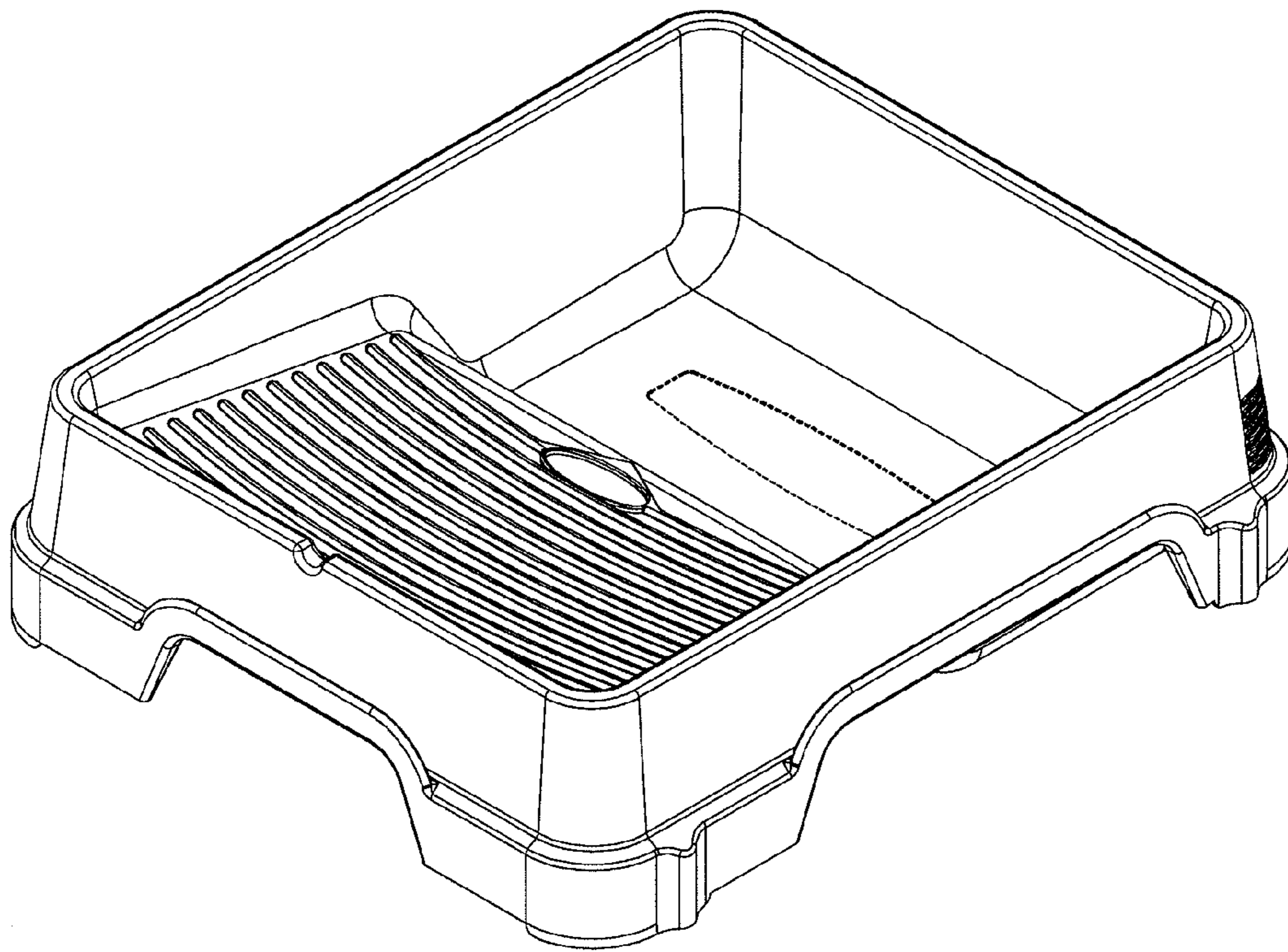


FIG. 16

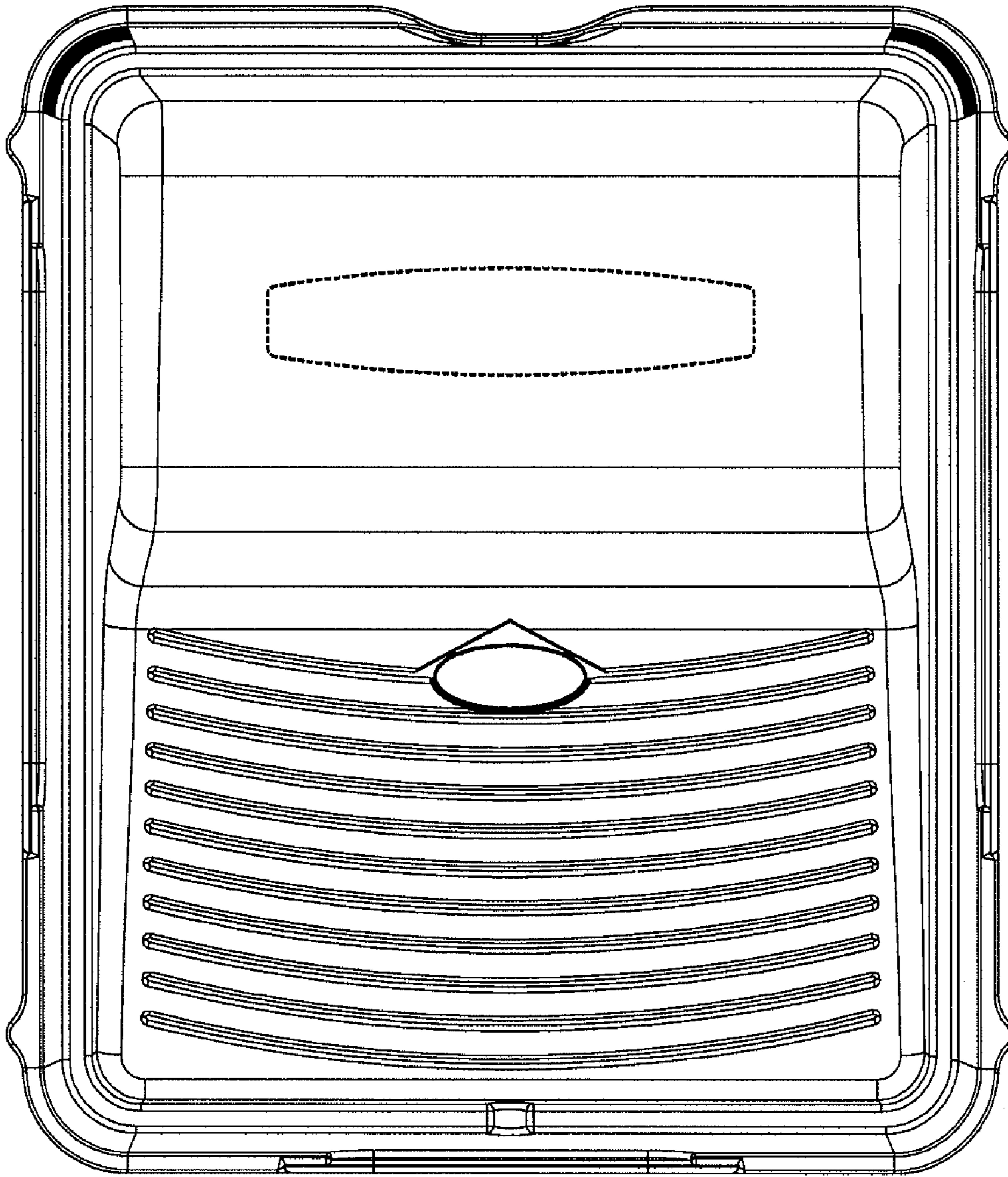


FIG. 17