



US00D675389S

(12) **United States Design Patent**
Seasholtz et al.

(10) **Patent No.:** **US D675,389 S**
(45) **Date of Patent:** **** Jan. 29, 2013**

(54) **VACUUM CLEANER**

(75) Inventors: **Craig A. Seasholtz**, Avis, PA (US);
Jason Gottschall, South Williamsport,
PA (US); **John Griffin**, Phoenix, AZ
(US)

(73) Assignee: **Shop Vac Corporation**, Williamsport,
PA (US)

(**) Term: **14 Years**

(21) Appl. No.: **29/399,076**

(22) Filed: **Aug. 9, 2011**

(51) **LOC (9) Cl.** **15-05**

(52) **U.S. Cl.** **D32/31**

(58) **Field of Classification Search** D32/17-18,
D32/21, 23-24, 31-34; 15/327.1-327.7,
15/320-321, 323, 353, 344, 329, 347, 246.2,
15/246.4, 301, 310, 313, 414, 328, 415.1-422.1;
210/167.16, 167.17; 285/7; 55/DIG. 3, 337,
55/345, 459.1, 429

See application file for complete search history.

(56) **References Cited**

U.S. PATENT DOCUMENTS

D470,281 S	2/2003	Griffin et al.	
D479,372 S	9/2003	Griffin	
D506,042 S	6/2005	Griffin et al.	
D507,386 S *	7/2005	Griffin et al.	D32/21
D527,504 S *	8/2006	Griffin et al.	D32/21
D528,255 S *	9/2006	Griffin et al.	D32/21
D587,414 S *	2/2009	Griffin et al.	D32/31
D588,761 S *	3/2009	Griffin	D32/31
D599,968 S *	9/2009	Crevling et al.	D32/23
D624,258 S *	9/2010	Crevling et al.	D32/31
D631,216 S *	1/2011	Crevling et al.	D32/31

D632,444 S *	2/2011	Griffin et al.	D32/31
D633,668 S *	3/2011	Griffin et al.	D32/23
D634,084 S *	3/2011	Griffin et al.	D32/31
D638,180 S *	5/2011	Griffin et al.	D32/31
D640,024 S *	6/2011	Crevling et al.	D32/31
D644,801 S *	9/2011	Crevling et al.	D32/31
8,015,661 B2 *	9/2011	Baer et al.	15/353

* cited by examiner

Primary Examiner — Ruth McInroy

(74) *Attorney, Agent, or Firm* — Marshall, Gerstein & Borun
LLP

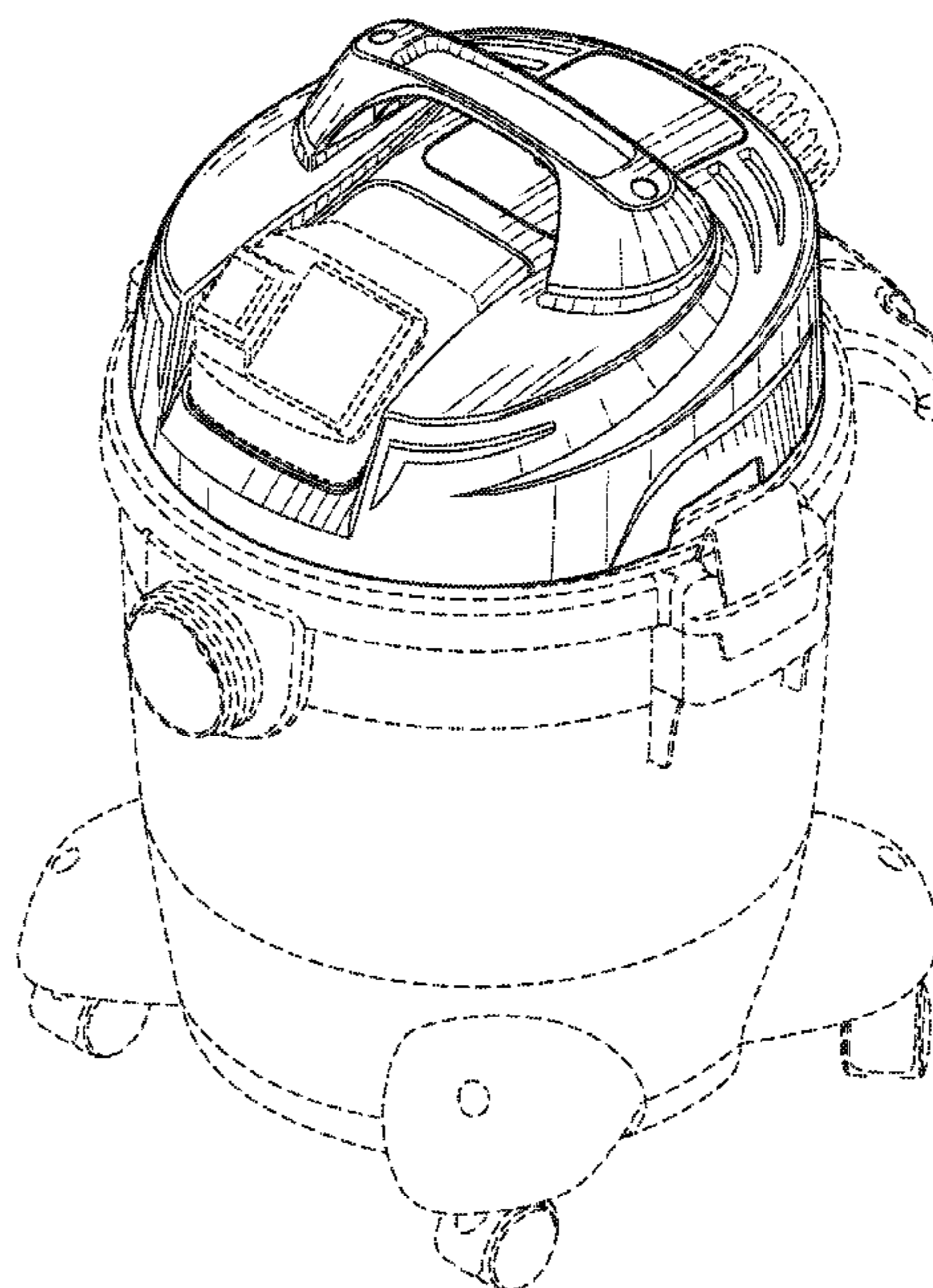
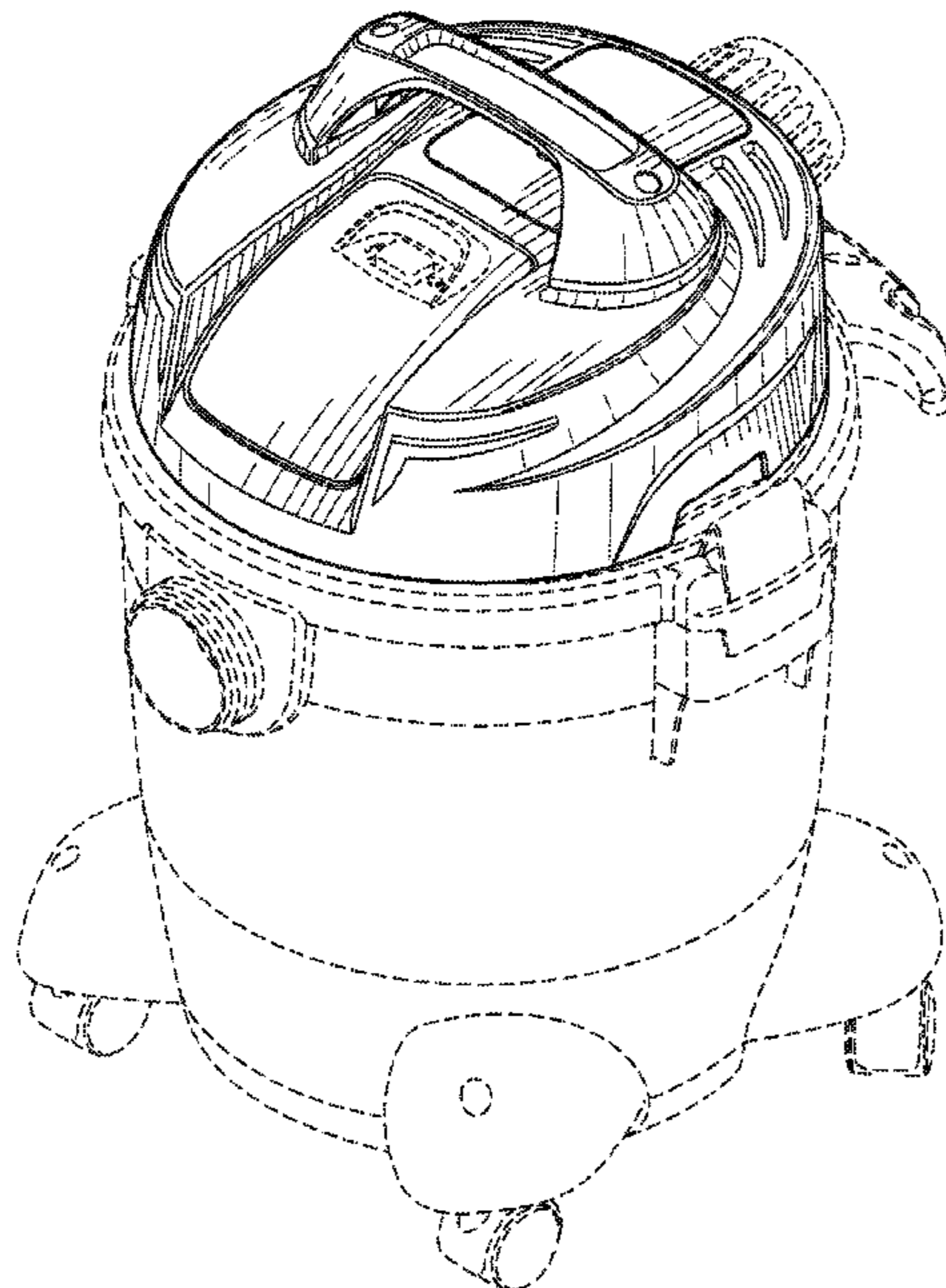
(57) **CLAIM**

The ornamental design for a vacuum cleaner, as shown and
described.

DESCRIPTION

FIG. 1 is a top, front and right side perspective view of a
vacuum cleaner showing our new design;
FIG. 2 is a front elevation view thereof;
FIG. 3 is a right side elevation view thereof;
FIG. 4 is a rear elevation view thereof;
FIG. 5 is a left side elevation view thereof;
FIG. 6 is a top plan view thereof;
FIG. 7 is a top, front and right side perspective view of a
second embodiment thereof;
FIG. 8 is a front elevation view of FIG. 7;
FIG. 9 is a right side elevation view FIG. 7;
FIG. 10 is a rear elevation view FIG. 7;
FIG. 11 is a left side elevation view FIG. 7; and,
FIG. 12 is a top plan view FIG. 7.
The details shown in broken lines form no part of the claimed
design.

1 Claim, 12 Drawing Sheets



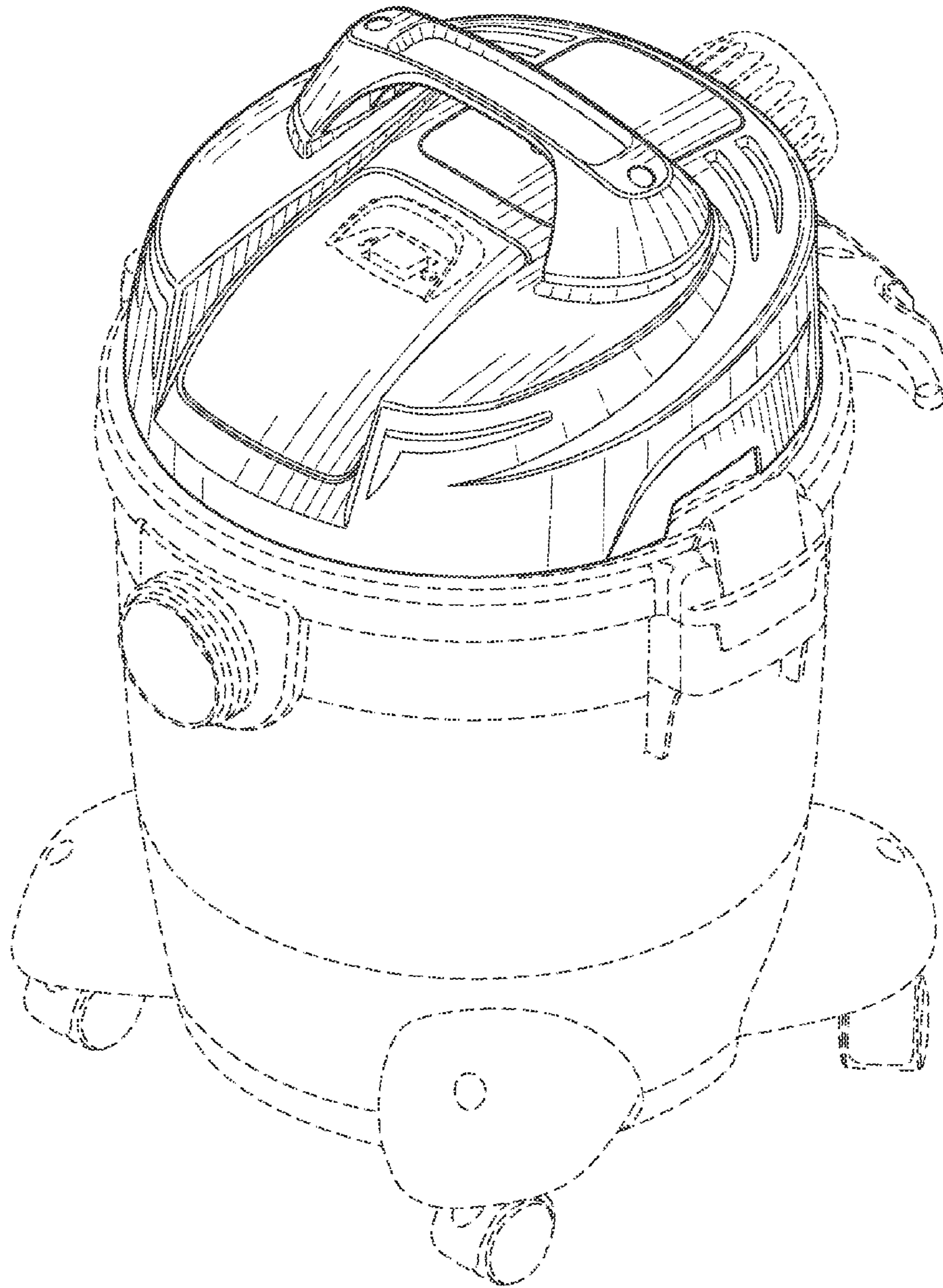


FIG. 1

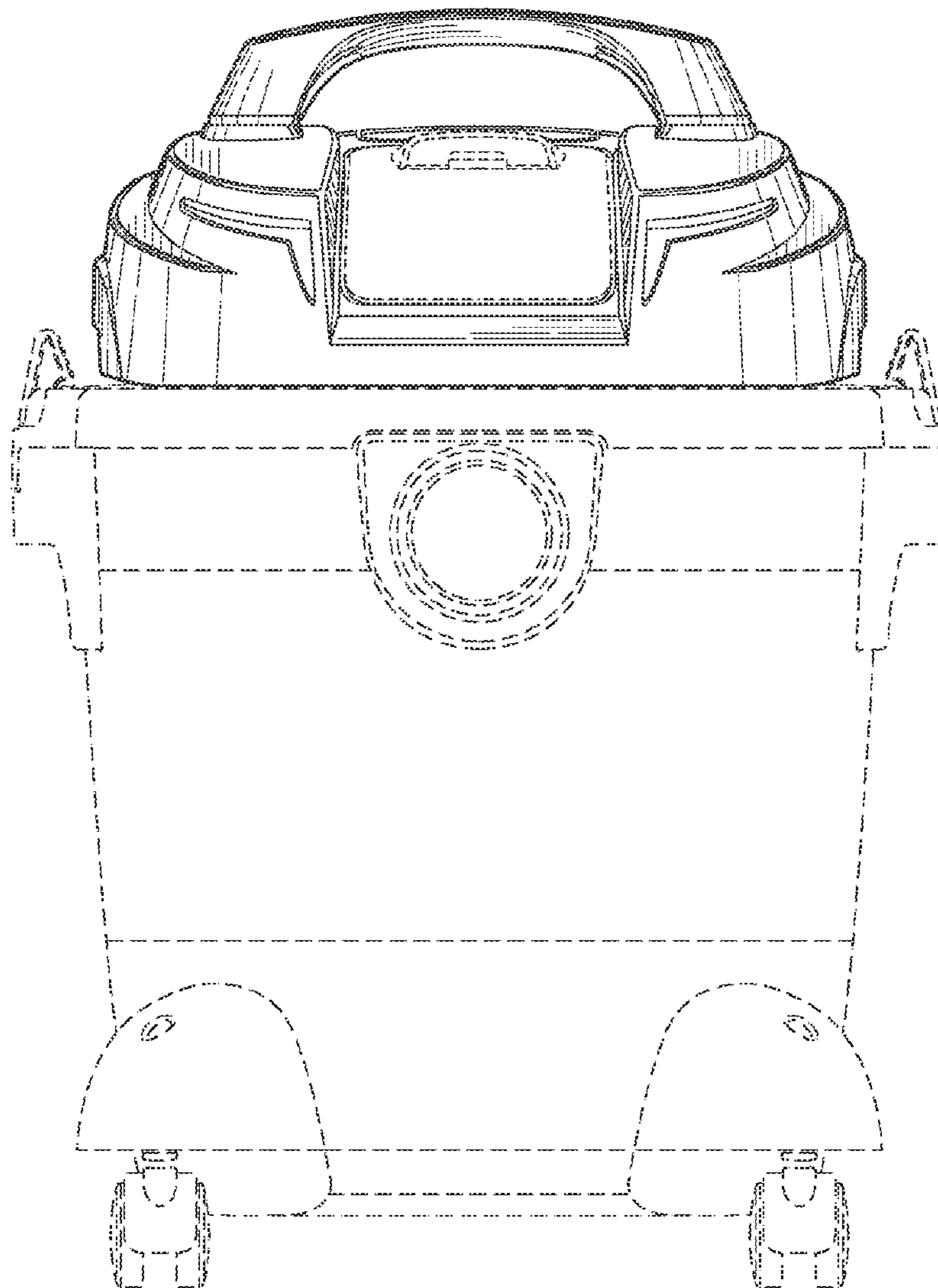


FIG. 2

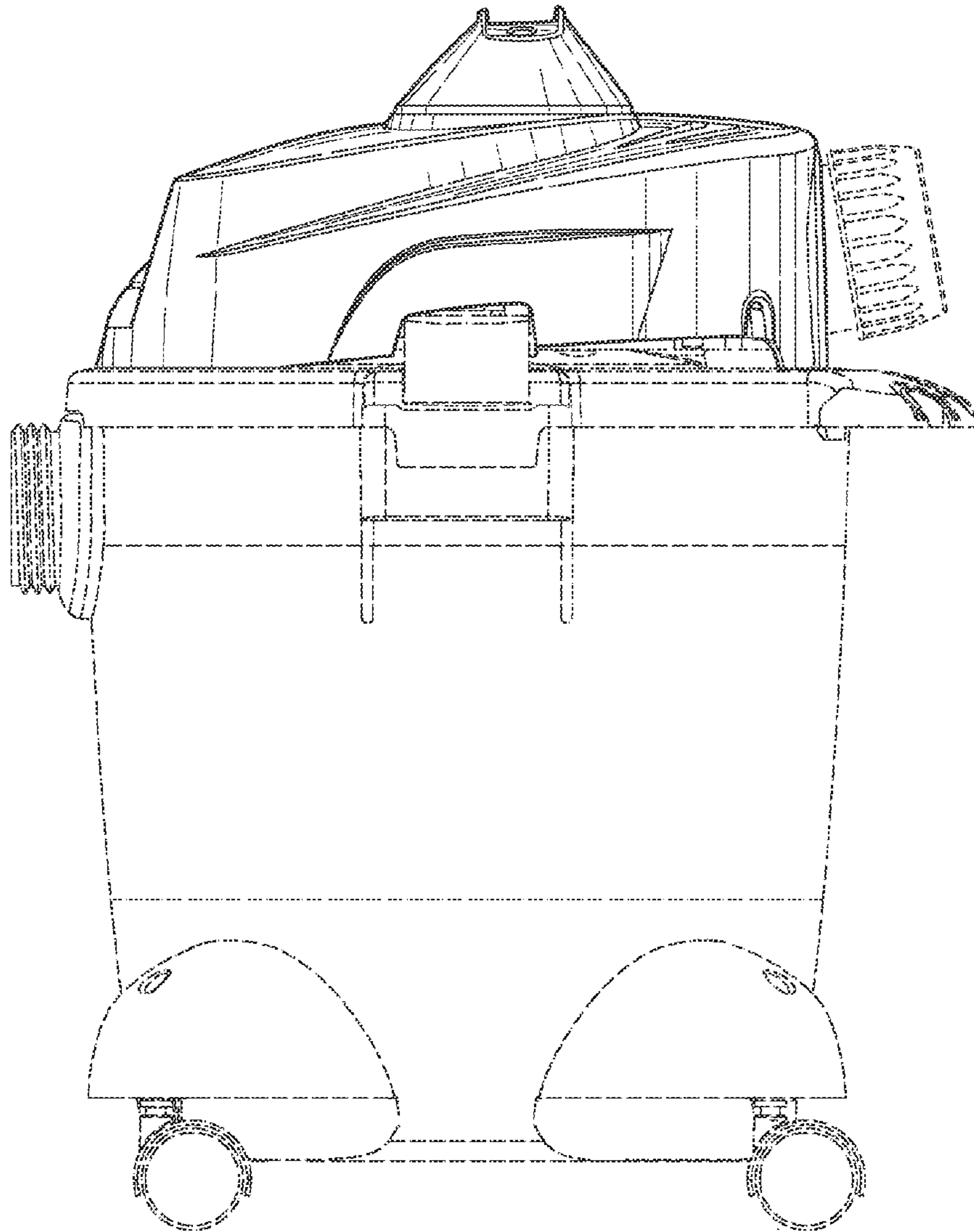


FIG. 3

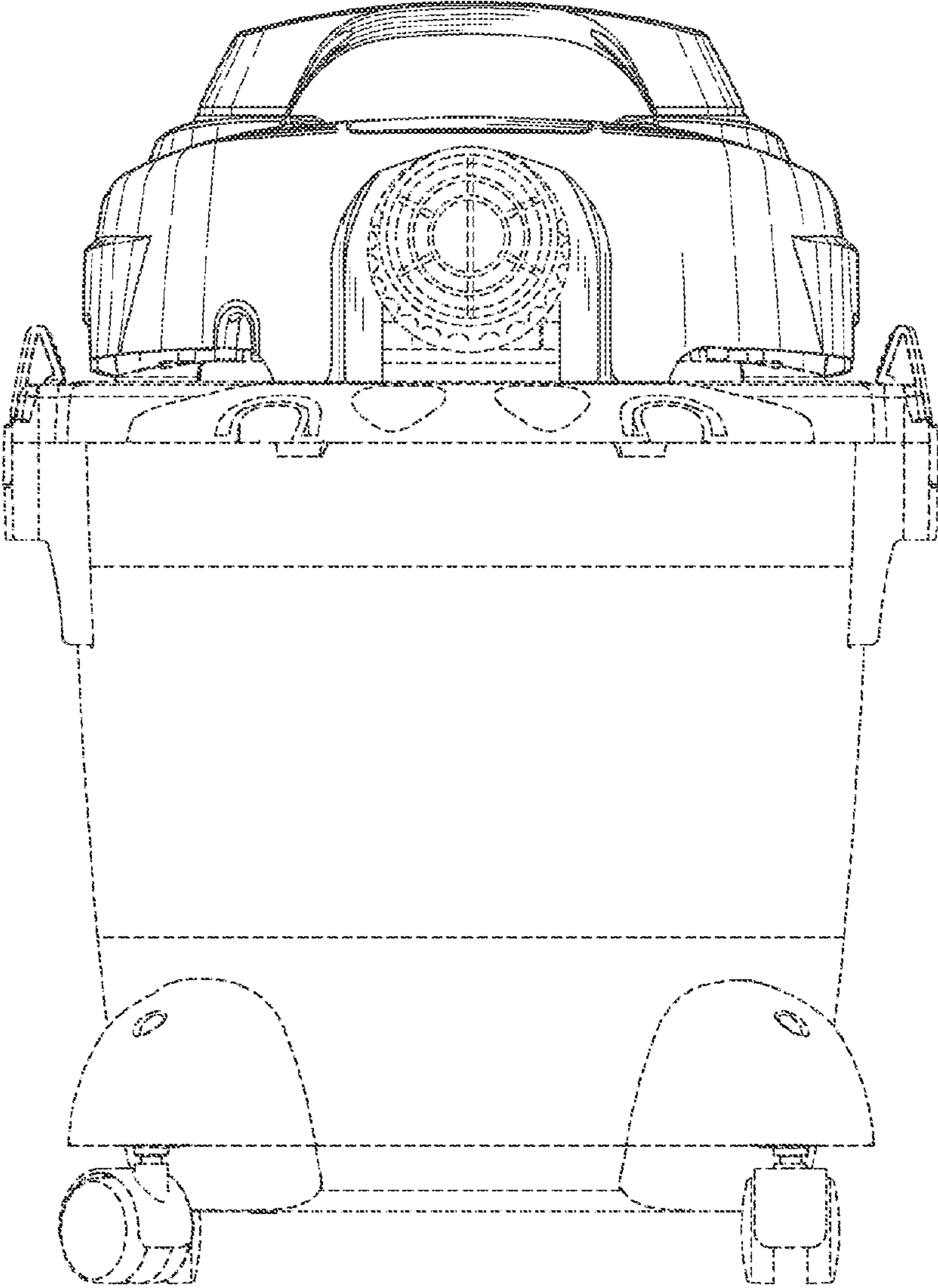


FIG. 4

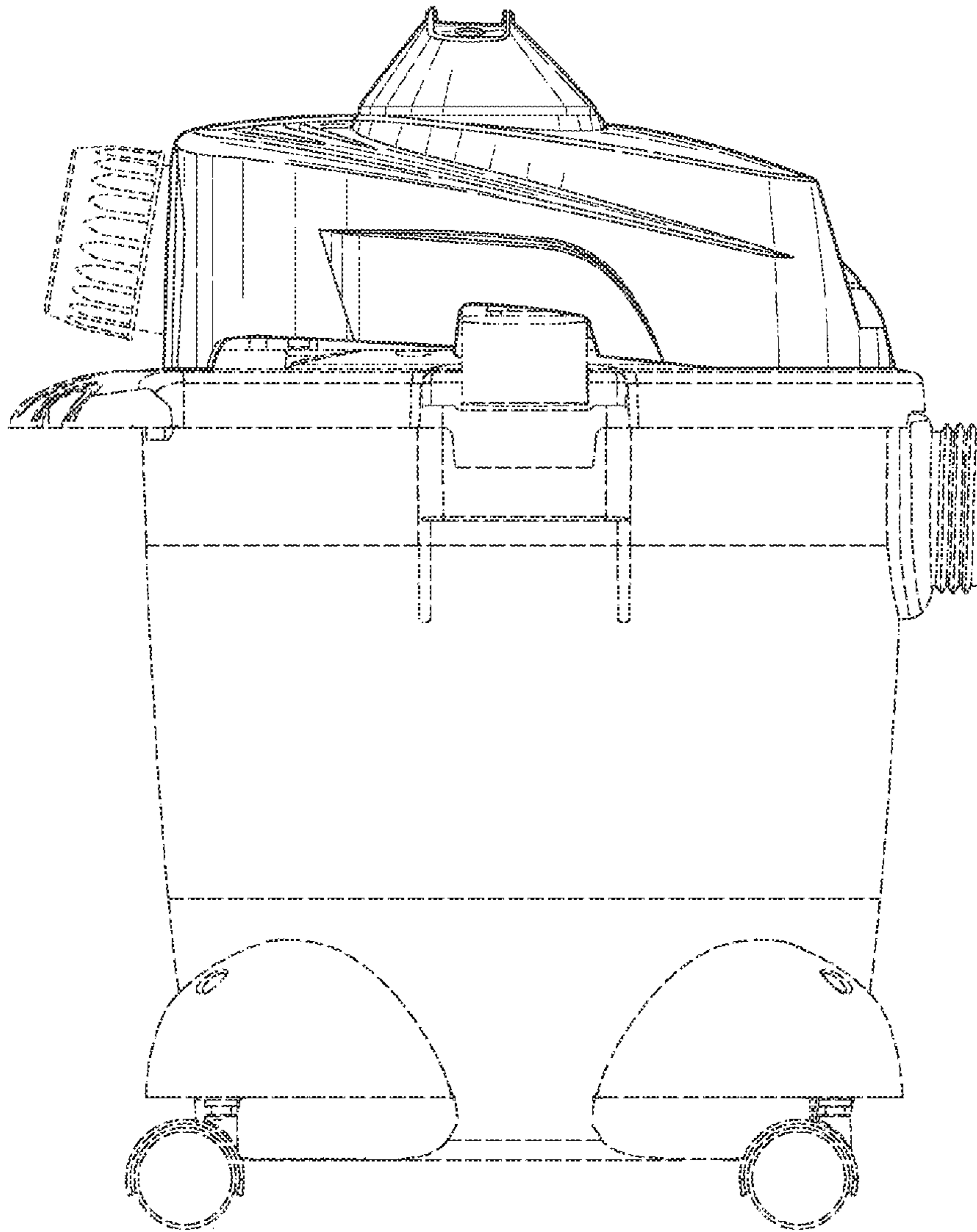


FIG. 5

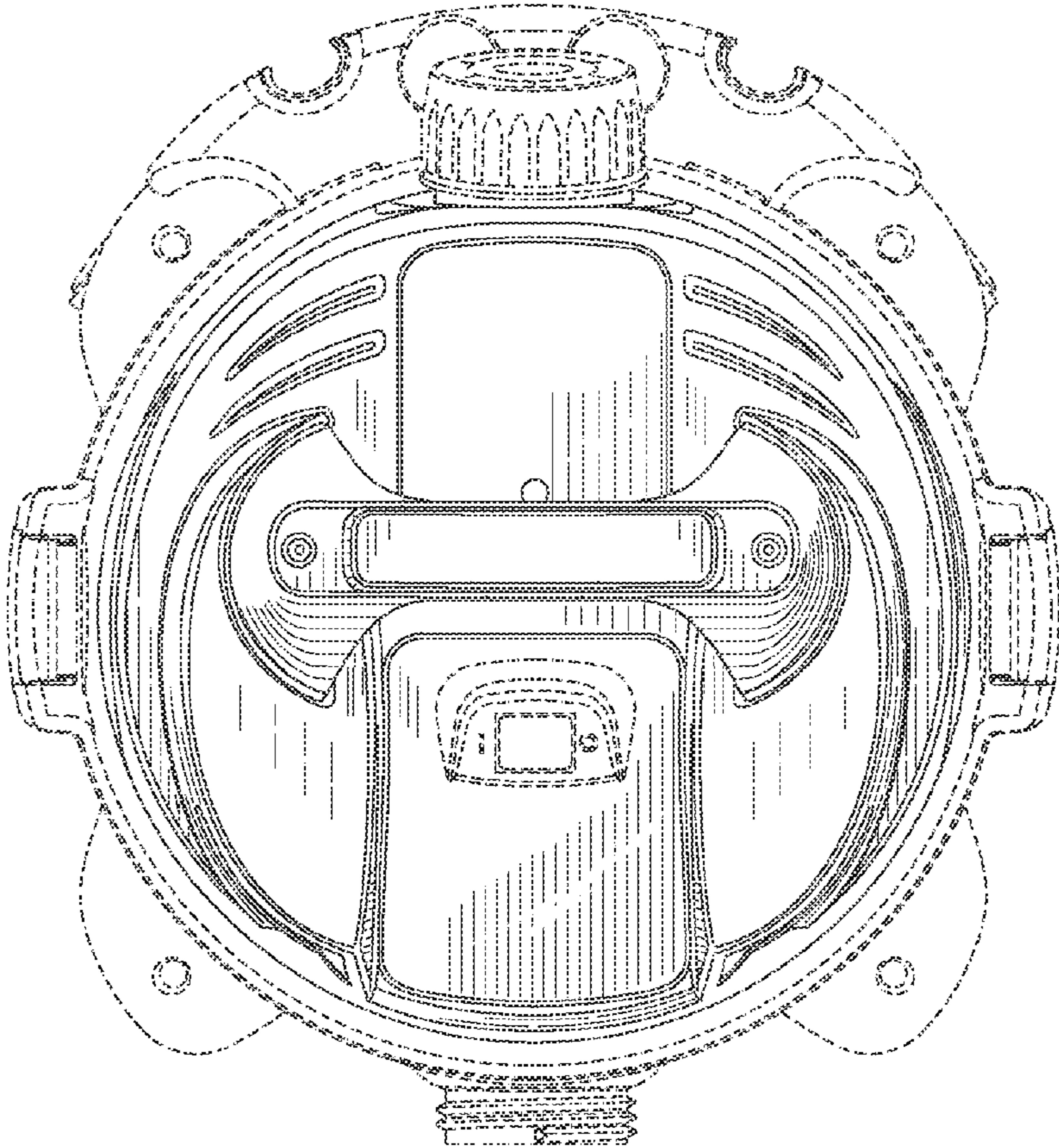


FIG. 6

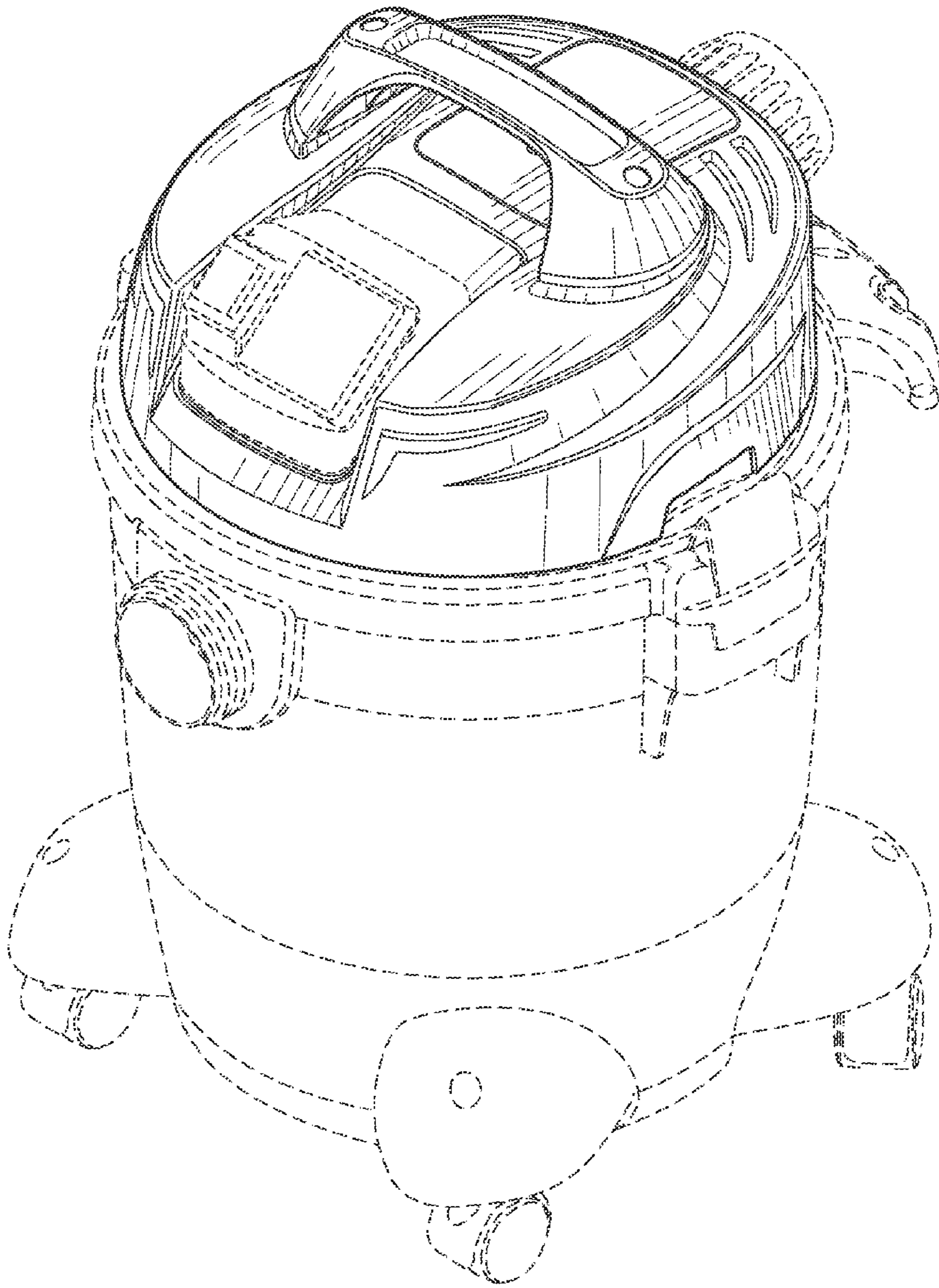


FIG. 7

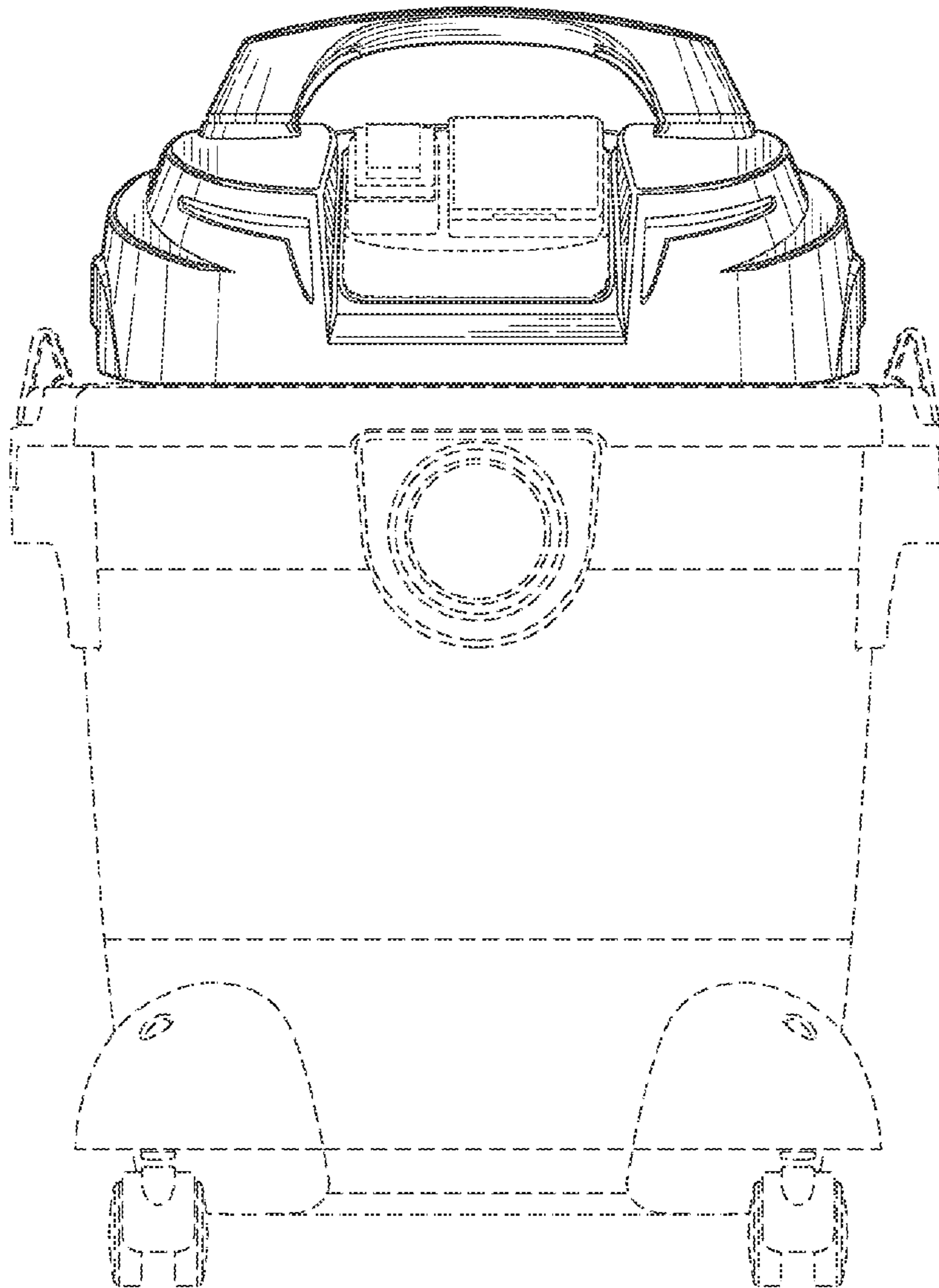


FIG. 8

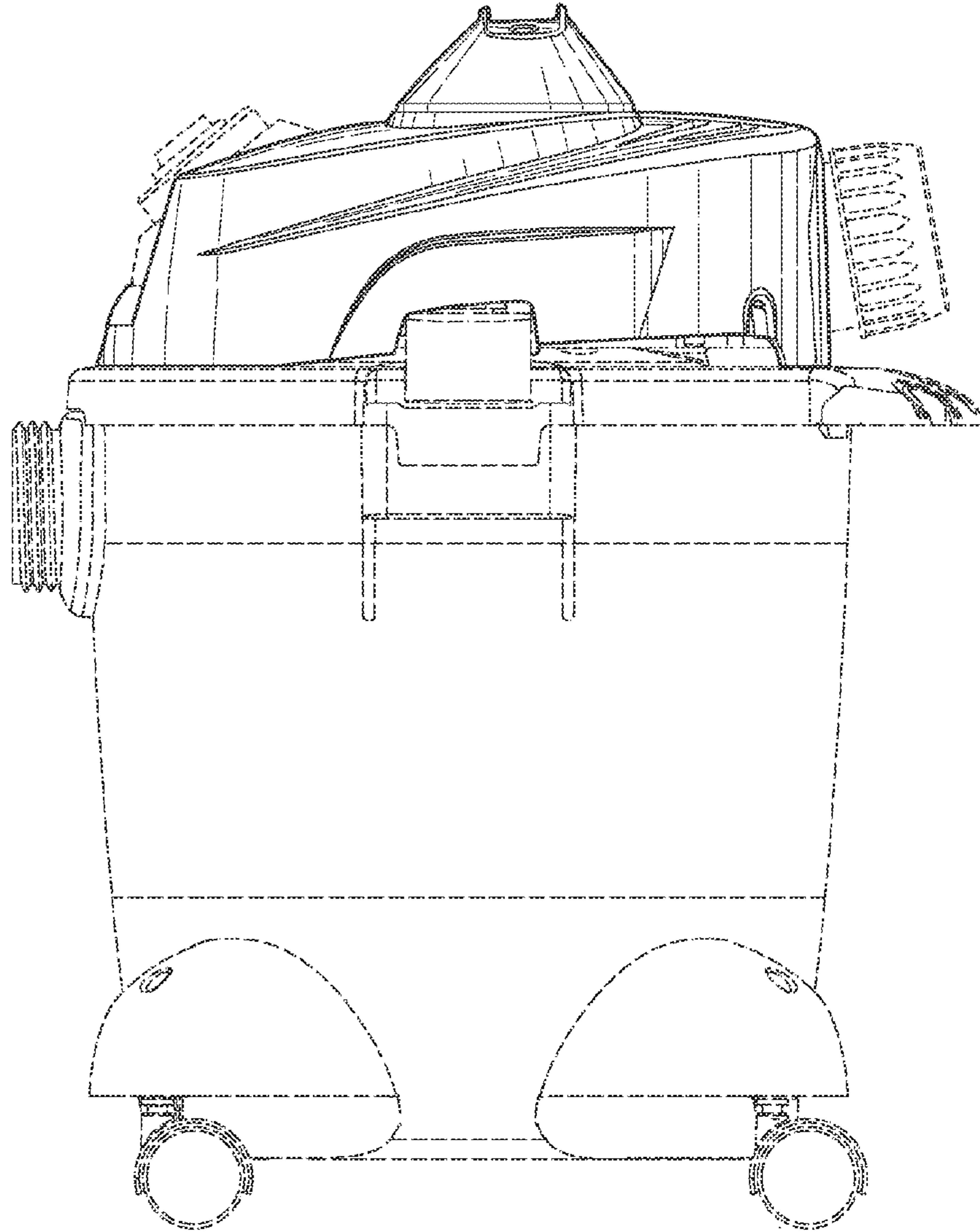


FIG. 9

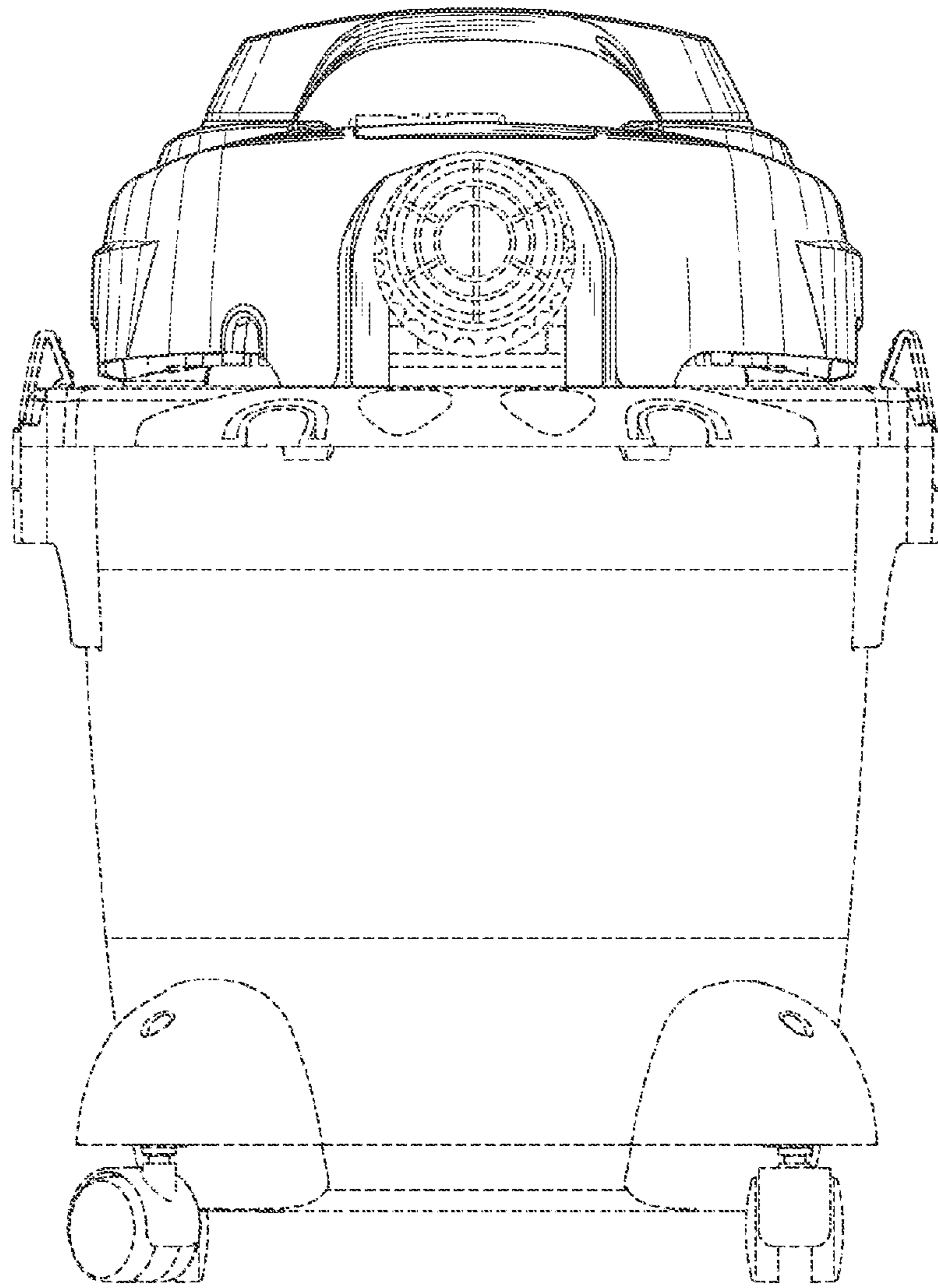


FIG. 10

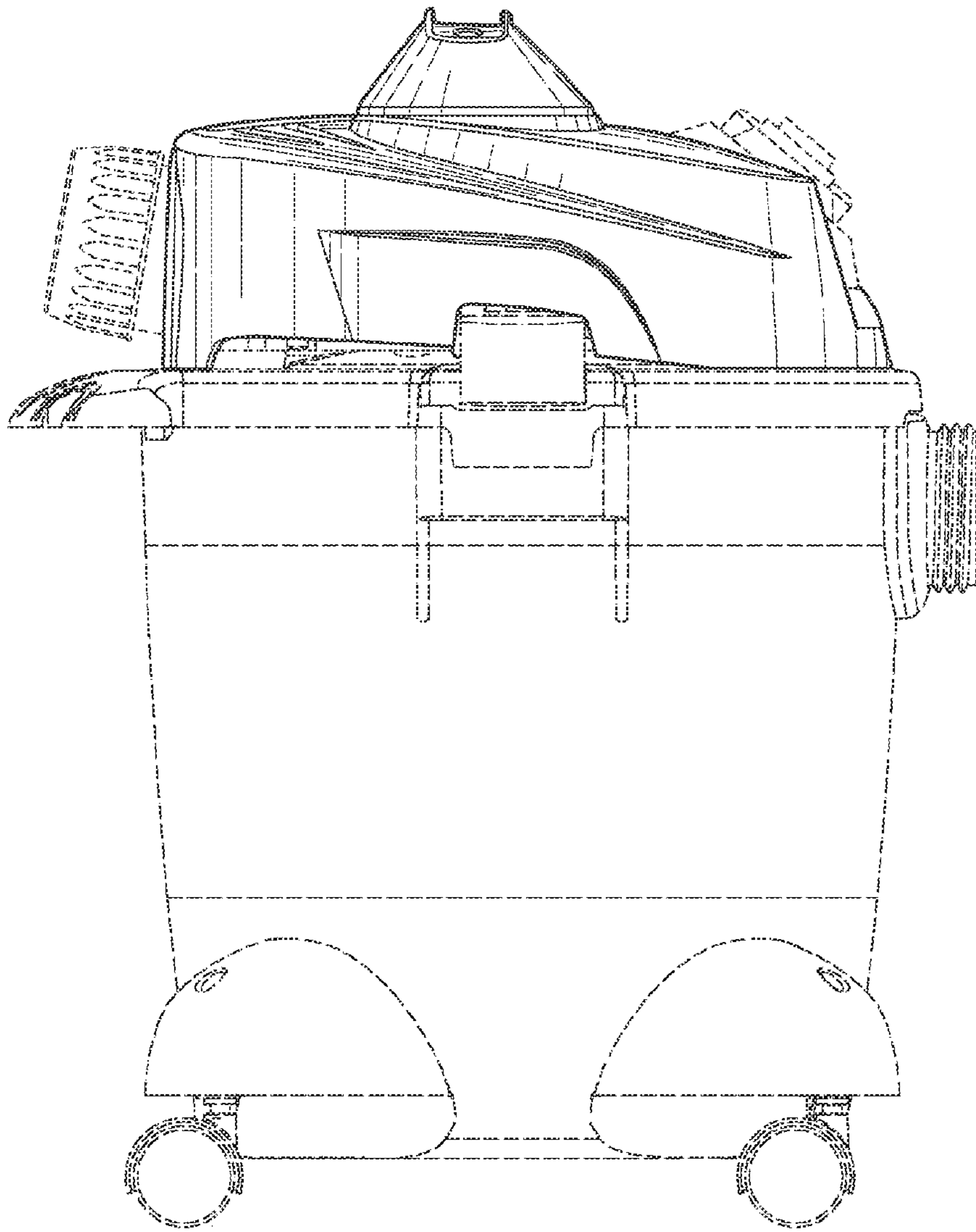


FIG. 11

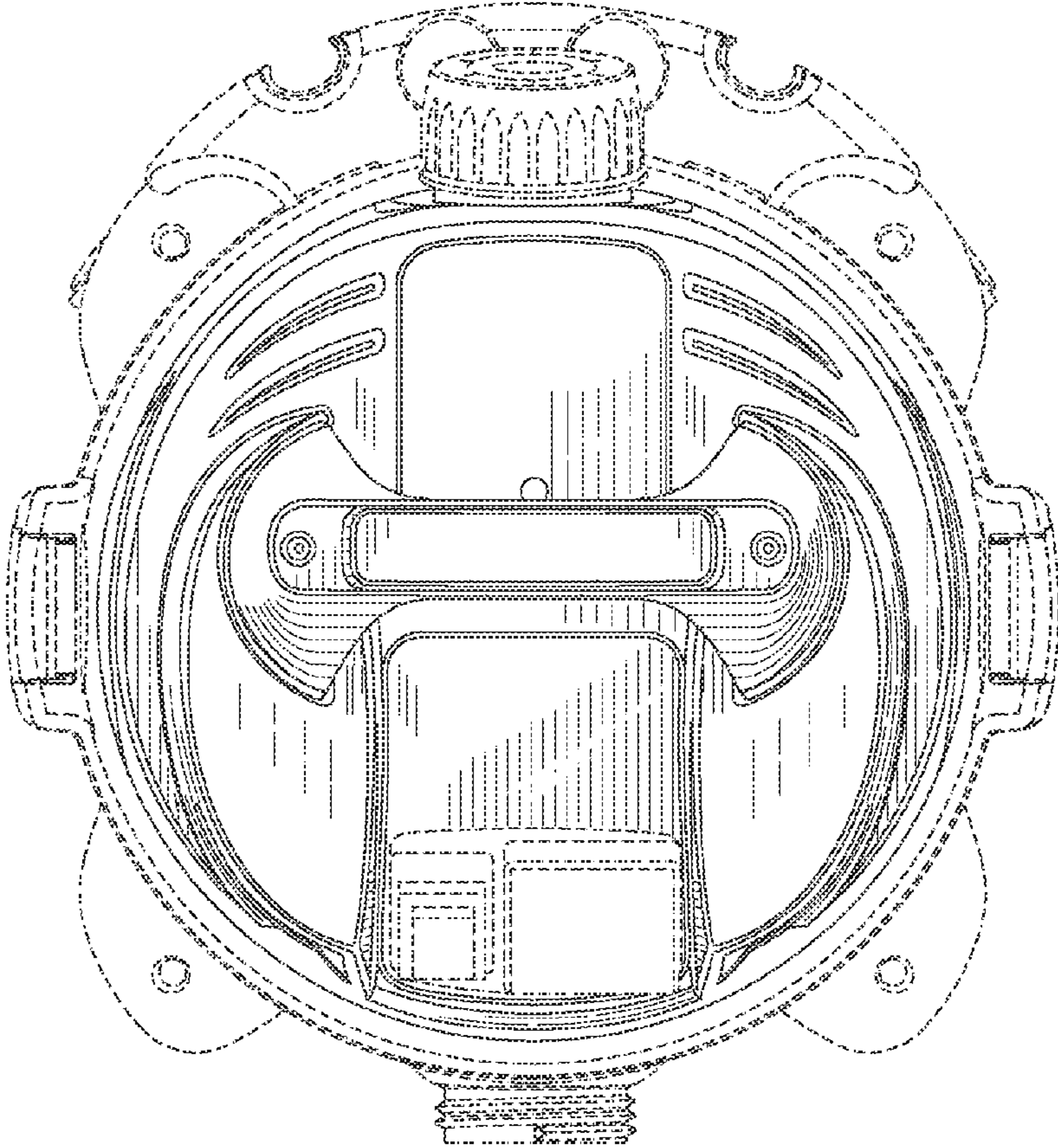


FIG. 12