



US00D675388S

(12) **United States Design Patent**  
**Buck**

(10) **Patent No.:** **US D675,388 S**

(45) **Date of Patent:** **\*\* Jan. 29, 2013**

(54) **VACUUM**

(75) **Inventor:** **John E. Buck**, Cockeysville, MD (US)

(73) **Assignee:** **Black & Decker, Inc**, Newark, DE (US)

(\*\*) **Term:** **14 Years**

(21) **Appl. No.:** **29/404,952**

(22) **Filed:** **Oct. 27, 2011**

(51) **LOC (9) Cl.** ..... **15-05**

(52) **U.S. Cl.** ..... **D32/21**

(58) **Field of Classification Search** ..... D32/18,  
D32/21, 23-24, 31; 15/319-321, 353, 347,  
15/327.1-327.2, 327.4, 327.6-327.7, 329,  
15/340.2; 55/DIG. 3, 375

See application file for complete search history.

(56) **References Cited**

**U.S. PATENT DOCUMENTS**

D528,718 S	*	9/2006	Tomasiak et al. ....	D32/21
D568,013 S	*	4/2008	Crevling et al. ....	D32/23
D581,111 S	*	11/2008	DiPasquale ....	D32/21
D581,608 S	*	11/2008	Dammkoehler et al. ....	D32/21
D587,868 S	*	3/2009	DiPasquale ....	D32/21

D615,258 S	*	5/2010	Dammkoehler ....	D32/23
D655,872 S	*	3/2012	Jin ....	D32/21
D655,873 S	*	3/2012	Jin ....	D32/21
D660,529 S	*	5/2012	Dammkoehler et al. ....	D32/21
D667,597 S	*	9/2012	Dammkoehler ....	D32/21
2008/0115312 A1	*	5/2008	DiPasquale et al. ....	15/327.2

\* cited by examiner

*Primary Examiner* — Ruth McInroy

(74) *Attorney, Agent, or Firm* — Kofi Schulterbrandt; Scott B. Markow; Adan Ayala

(57) **CLAIM**

The ornamental design for a vacuum, as shown and described.

**DESCRIPTION**

FIG. 1 is a right/front perspective view of a vacuum showing my new design.

FIG. 2 is a front view thereof.

FIG. 3 is a rear view thereof.

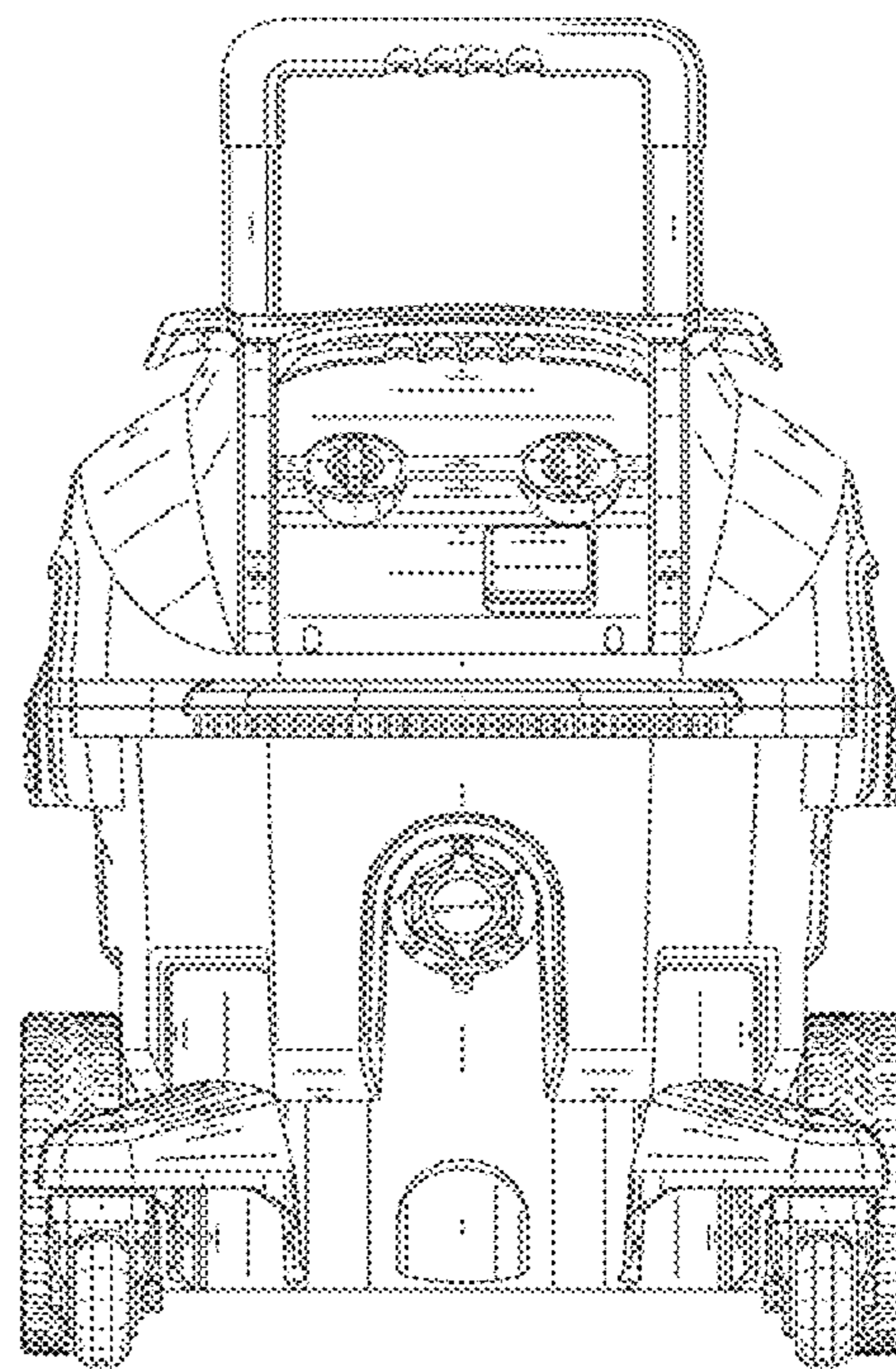
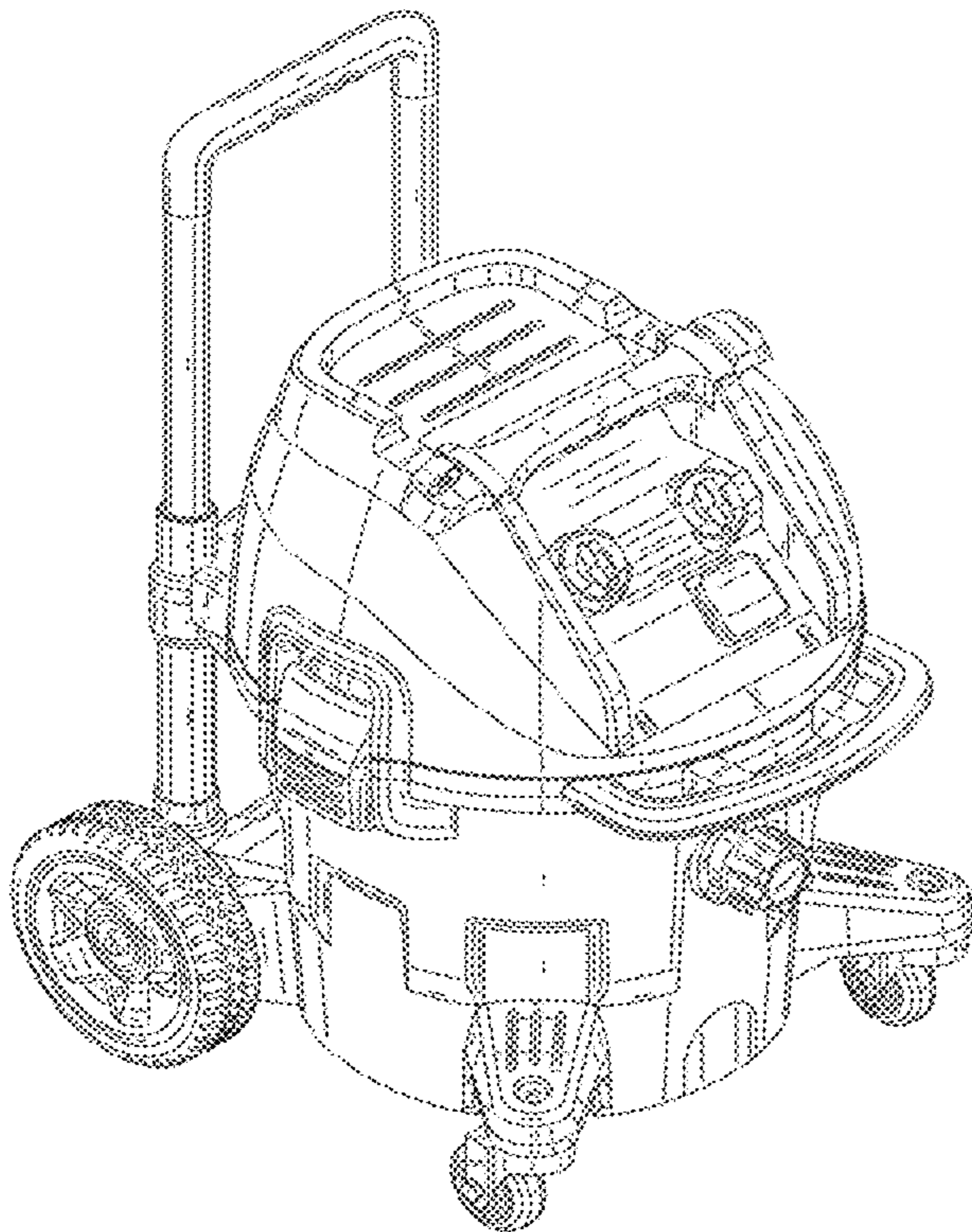
FIG. 4 is a right side view thereof.

FIG. 5 is a left side view thereof.

FIG. 6 is a top view thereof; and,

FIG. 7 is a bottom view thereof.

**1 Claim, 7 Drawing Sheets**





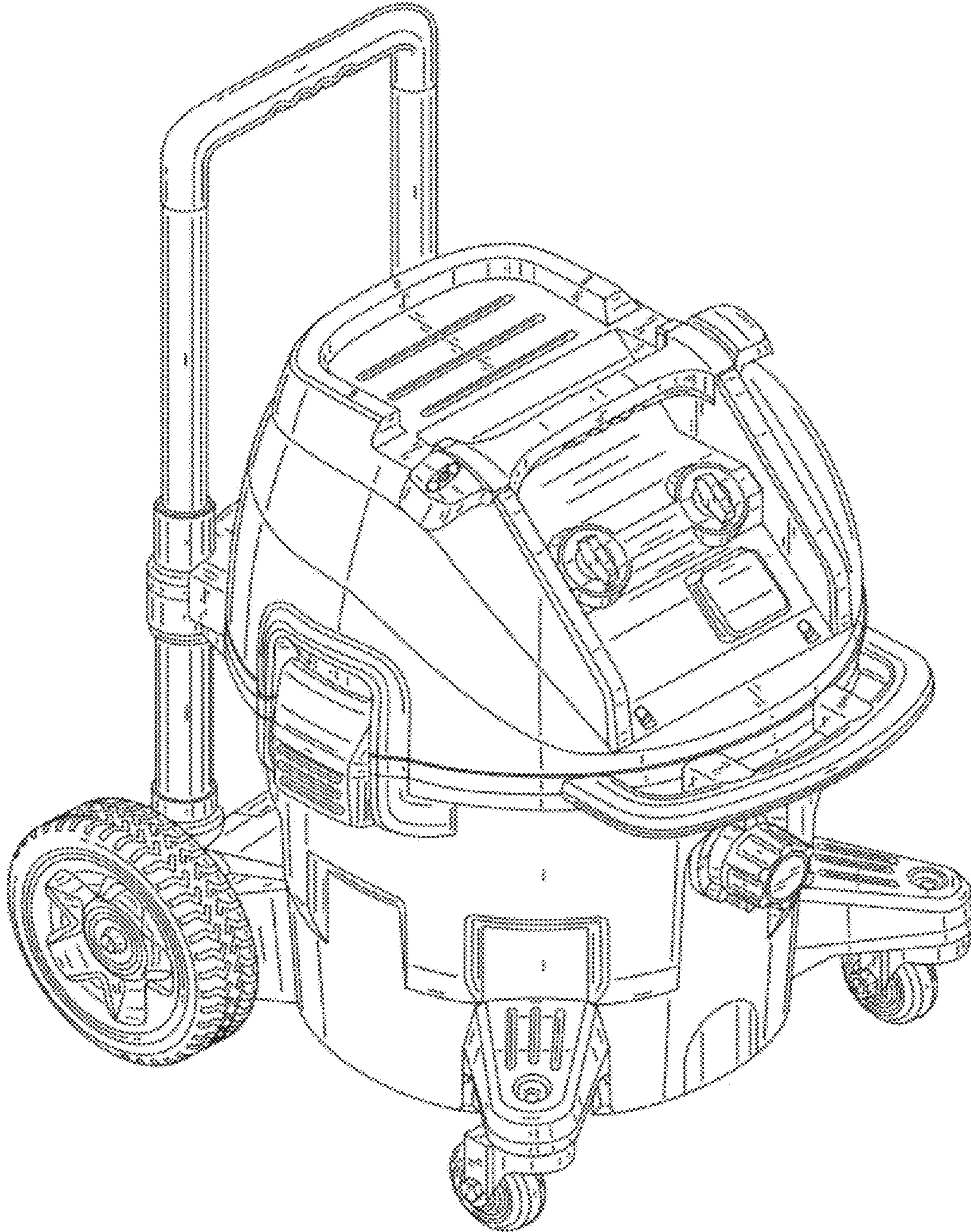


FIG. 1



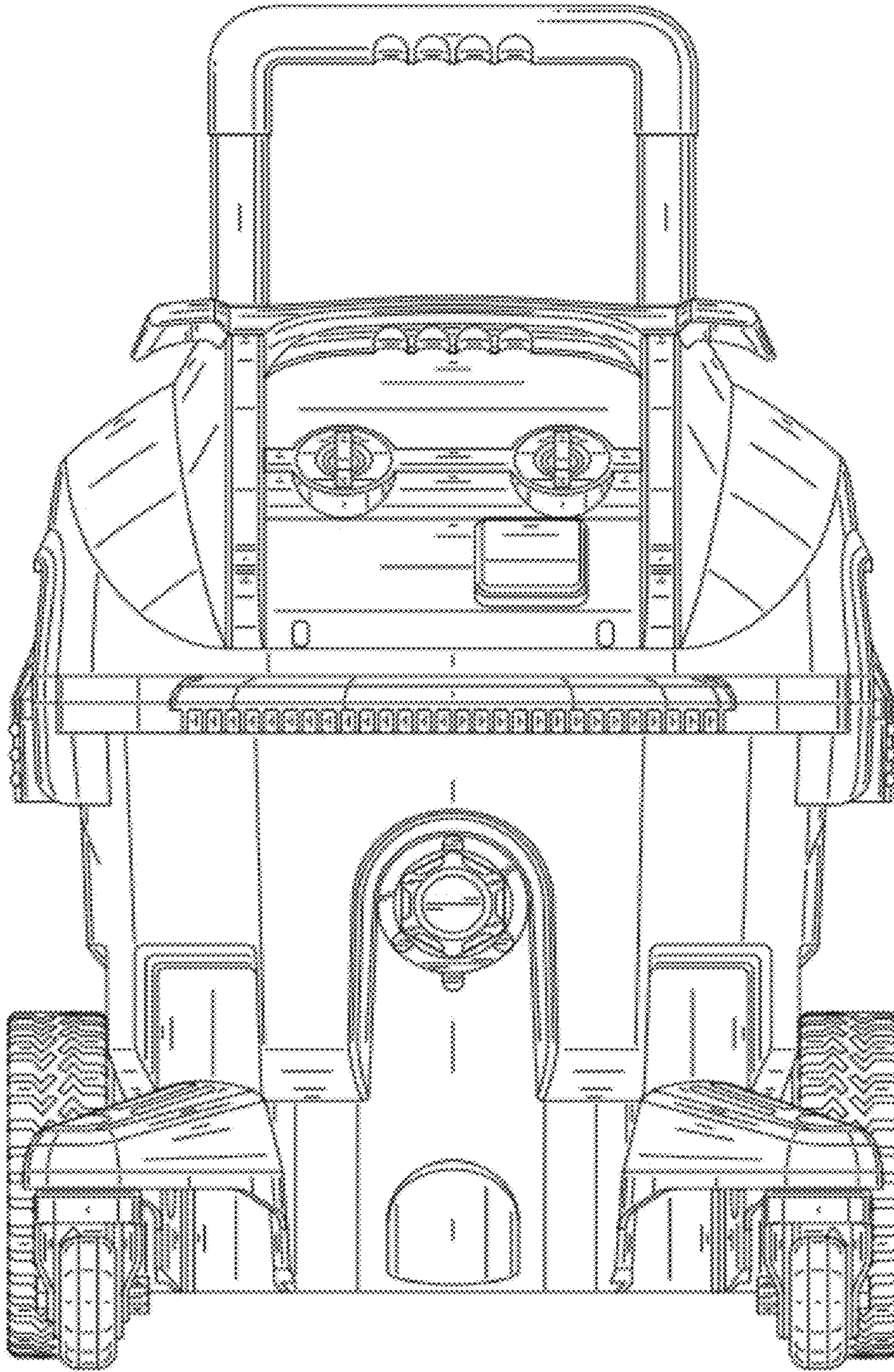


FIG. 2



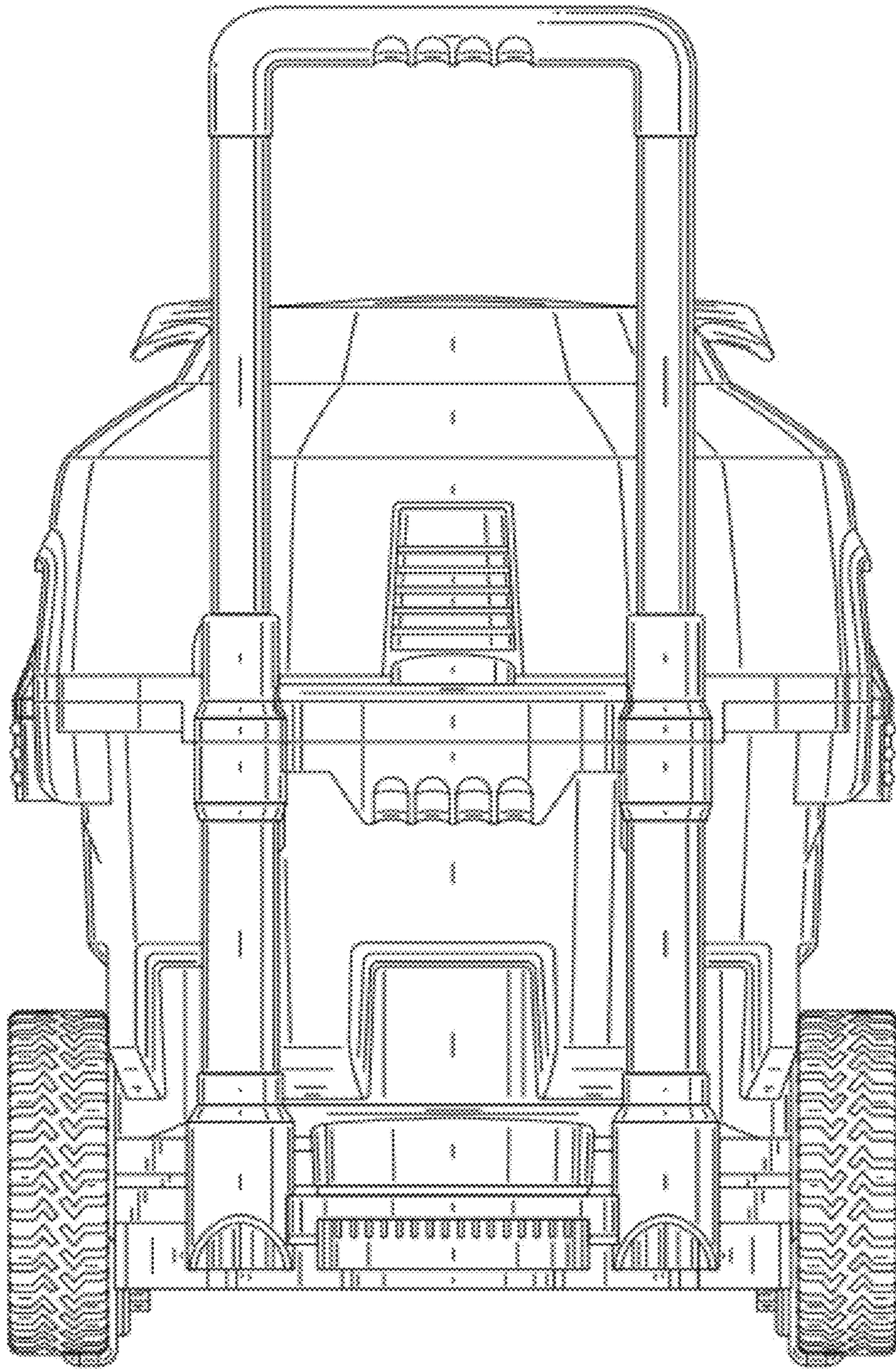


FIG. 3



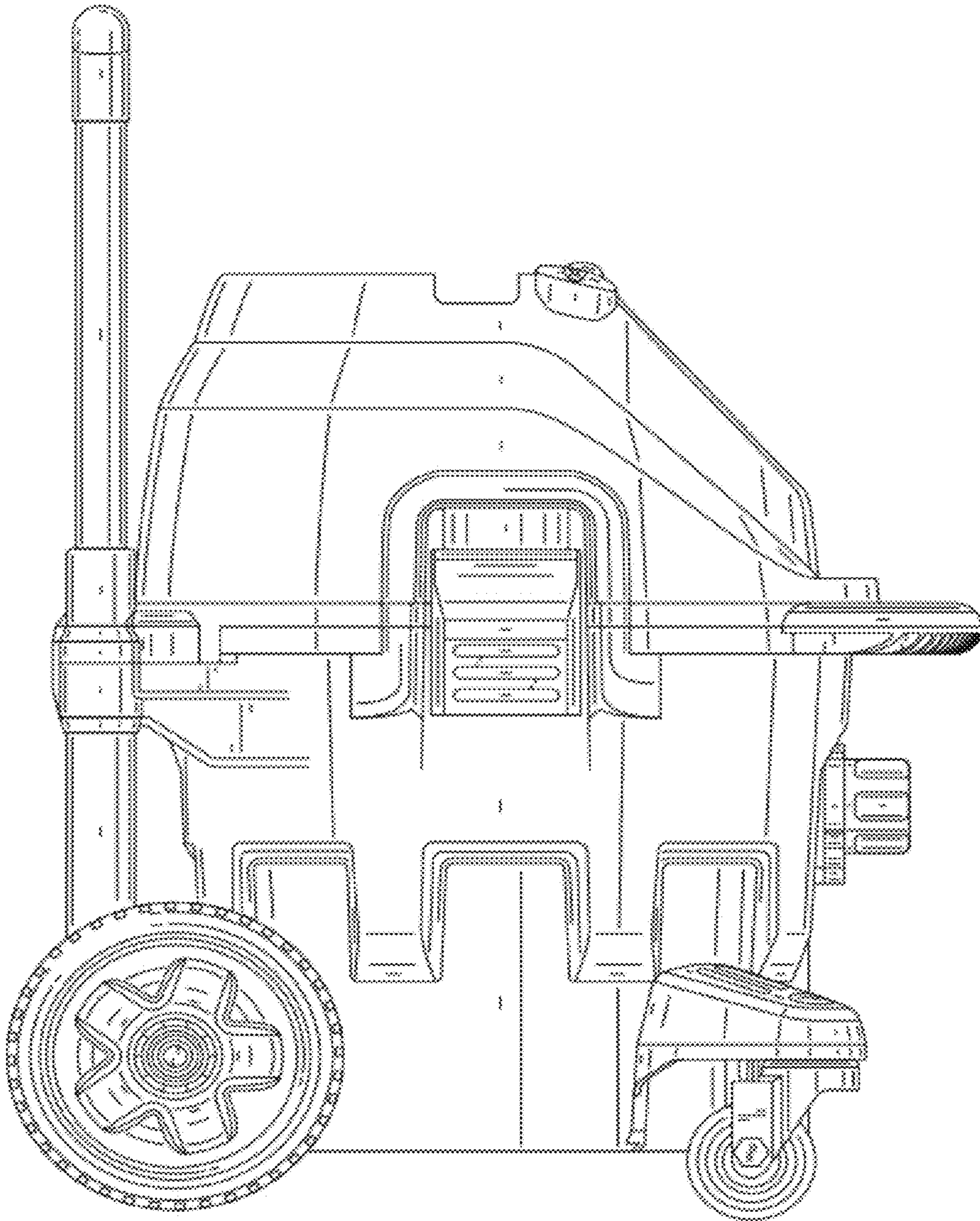


FIG. 4

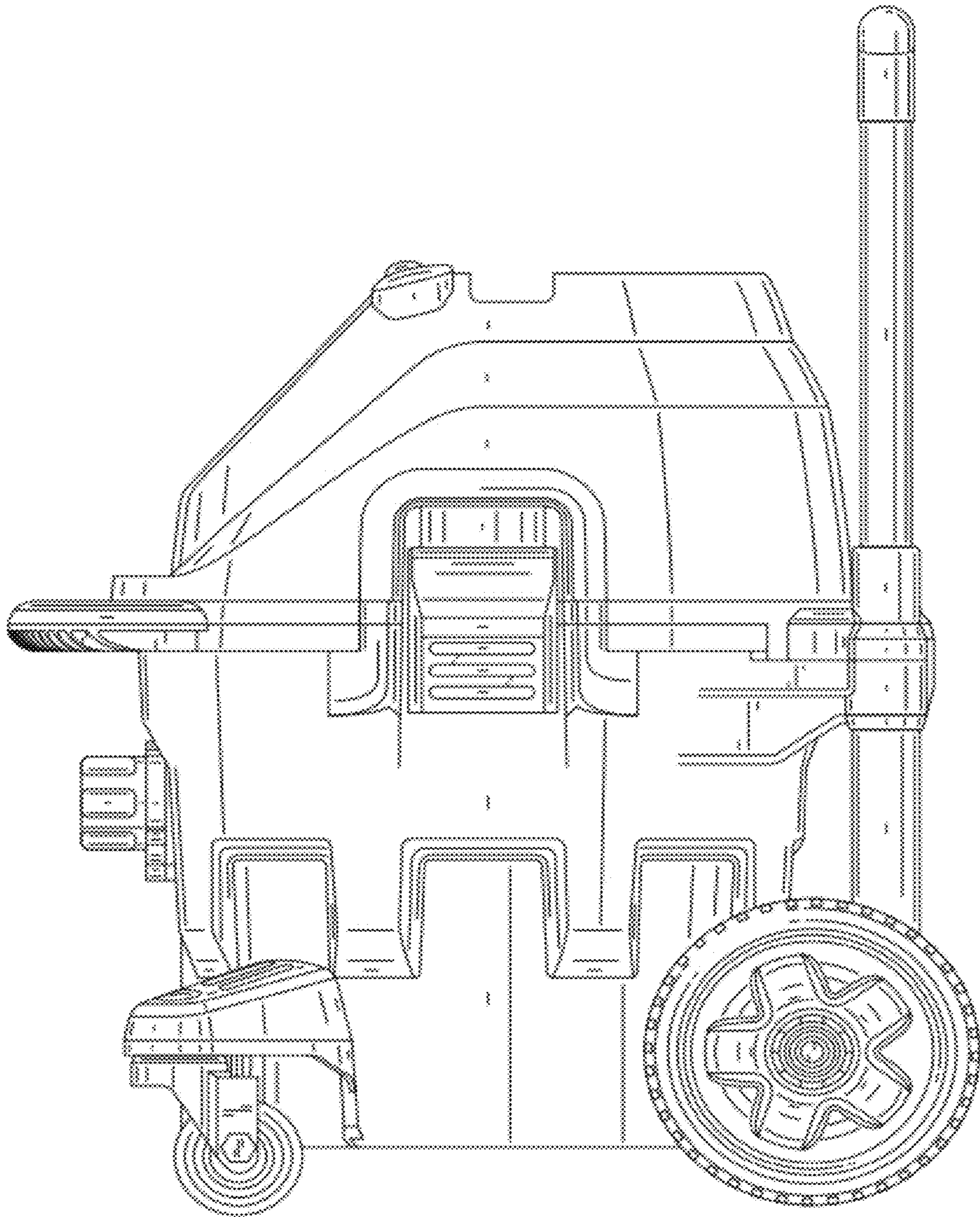


FIG. 5



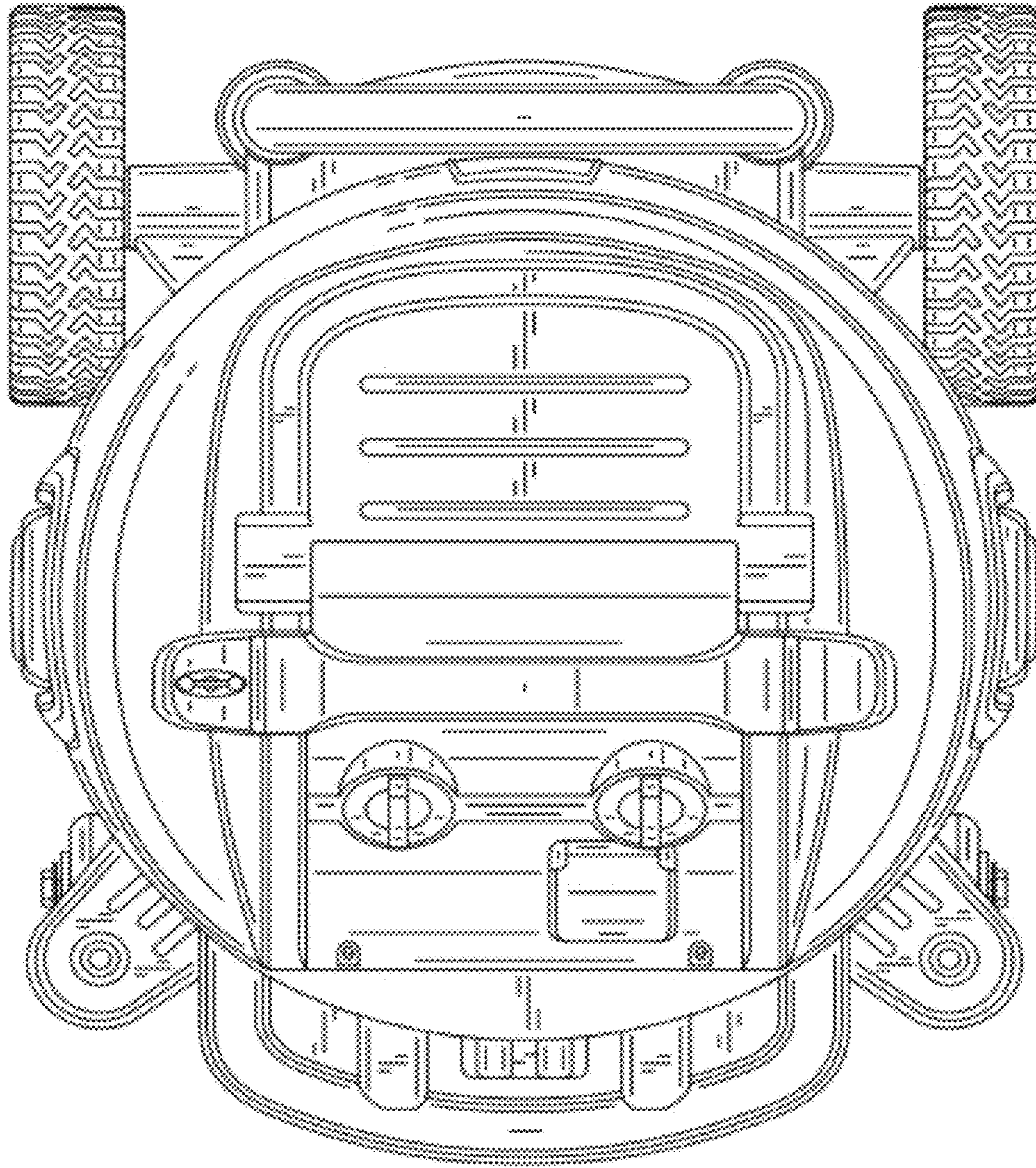


FIG. 6



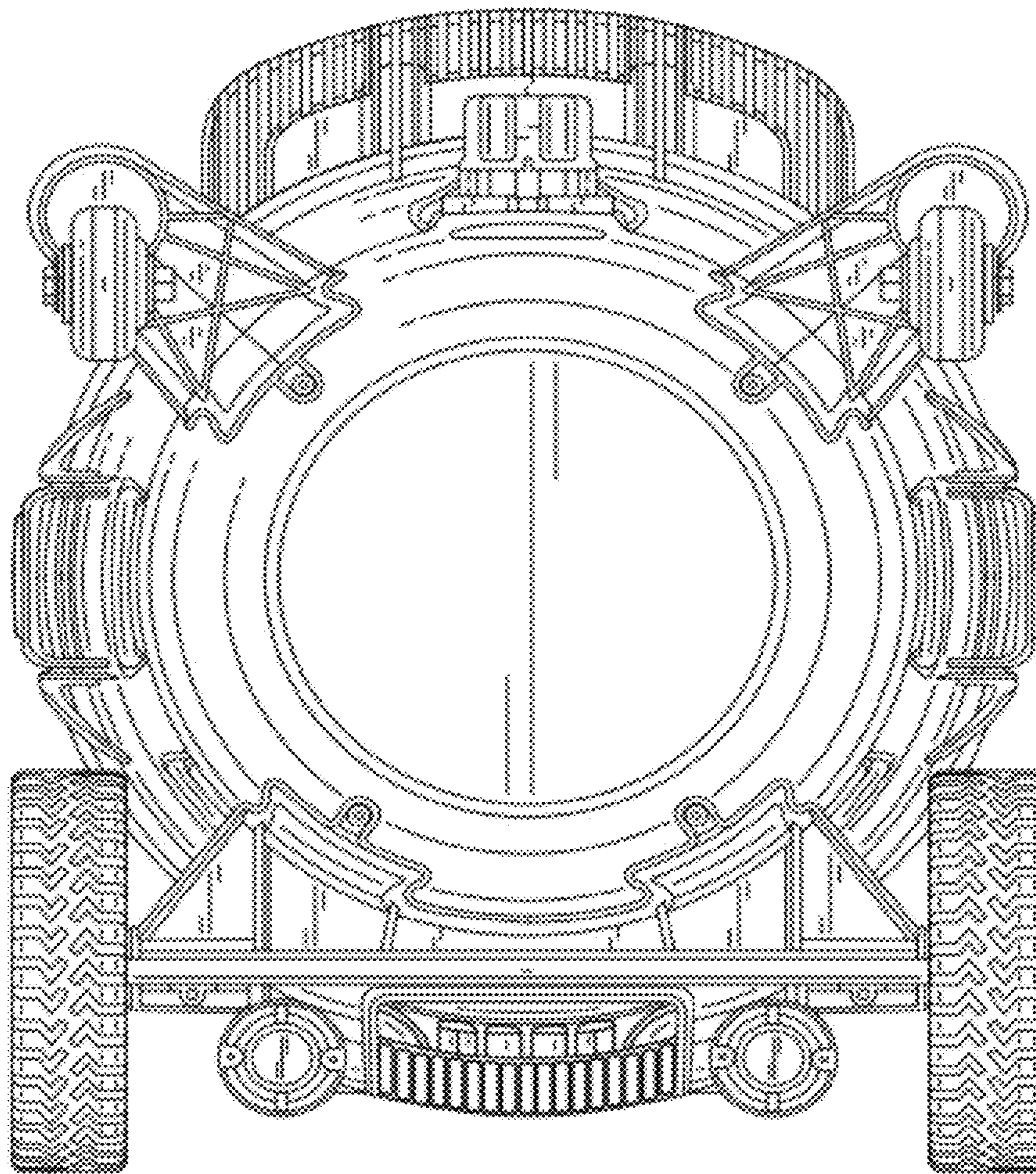


FIG. 7