



US00D675387S

(12) **United States Design Patent**
Burrows et al.

(10) **Patent No.:** **US D675,387 S**
(45) **Date of Patent:** **** Jan. 29, 2013**

(54) **DISHWASHER SPRAY ARM WITH
SATELLITE SPRAY ARM**

(75) Inventors: **James L. Burrows**, Winterville, NC
(US); **Virgil J. Francisco**, Ayden, NC
(US); **Billy Justin Hill**, Kinston, NC
(US)

(73) Assignee: **Electrolux Home Products, Inc.**,
Cleveland, OH (US)

(**) Term: **14 Years**

(21) Appl. No.: **29/413,531**

(22) Filed: **Feb. 16, 2012**

(51) **LOC (9) Cl.** **15-05**

(52) **U.S. Cl.** **D32/3**

(58) **Field of Classification Search** D32/1,
D32/2, 3, 25, 28; 134/56 D, 57 D, 58 D,
134/58 DL, 201, 176, 179, 200; 239/227,
239/243, 251

See application file for complete search history.

(56) **References Cited**

U.S. PATENT DOCUMENTS

2,440,161	A	4/1948	Vaudreuil	
2,631,059	A	3/1953	Karlstrom	
D196,450	S *	10/1963	Claywell	D32/3
D212,121	S *	8/1968	Tuthill et al.	D32/3
3,468,486	A	9/1969	Mercer	
3,496,949	A	2/1970	Mercer	
3,667,473	A	6/1972	Matteson	
3,672,573	A *	6/1972	Morgan	239/261
3,771,725	A	11/1973	Jenkins et al.	
3,876,148	A	4/1975	Cushing et al.	
3,960,328	A *	6/1976	Archambault	239/264
5,267,582	A *	12/1993	Purtilo	134/180
5,333,631	A	8/1994	Kirkland et al.	
5,449,011	A	9/1995	Jacobus et al.	
5,464,482	A	11/1995	Michael et al.	
5,477,874	A	12/1995	Yura et al.	
5,542,443	A	8/1996	Yura et al.	
5,560,381	A *	10/1996	Edwards	134/176
D376,451	S *	12/1996	Osborn	D32/3
5,579,789	A	12/1996	Spiegel	

5,662,744	A *	9/1997	Tuller et al.	134/25.2
5,673,714	A	10/1997	Campagnolo et al.	
6,263,888	B1	7/2001	Nomura et al.	
6,325,083	B1 *	12/2001	Worter	134/180
D461,284	S *	8/2002	Hegeman et al.	D32/3
6,959,881	B2	11/2005	Kim	
6,964,090	B2 *	11/2005	Mathieu et al.	29/458
7,047,986	B2	5/2006	Ertle et al.	
7,055,537	B2 *	6/2006	Elick et al.	134/180
2004/0000331	A1 *	1/2004	Elick et al.	134/180
2009/0145981	A1	6/2009	Mack et al.	
2010/0043825	A1	2/2010	Bertsch et al.	
2010/0043826	A1	2/2010	Bertsch et al.	
2012/0037193	A1 *	2/2012	Bayer et al.	134/180

FOREIGN PATENT DOCUMENTS

CN	1600260	A	3/2005
DE	44 16 655	A1	11/1995
DE	297 18 777	U1	3/1998
DE	10 2004 043 772	A1	3/2006
DE	10 2009 007 297	A1	8/2010
EP	0 727 177	A2	8/1996

(Continued)

Primary Examiner — T. Chase Nelson

Assistant Examiner — Kathleen M Sims

(74) *Attorney, Agent, or Firm* — Alston & Bird LLP

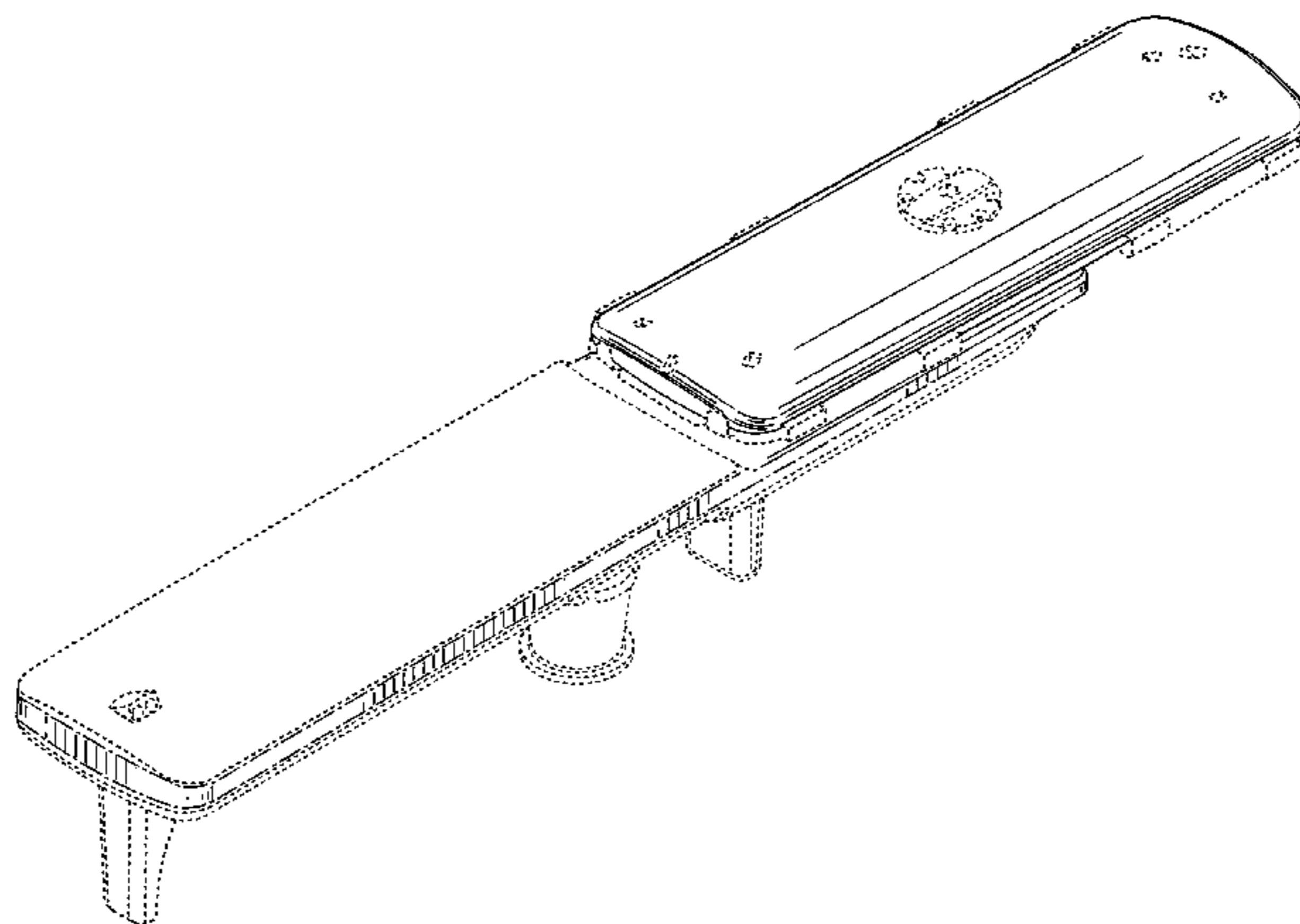
(57) **CLAIM**

We claim the ornamental design for a dishwasher spray arm with satellite spray arm, as shown and described.

DESCRIPTION

FIG. 1 is a perspective view of a dishwasher spray arm with satellite spray arm showing our new design;
FIG. 2 is a front view thereof;
FIG. 3 is a rear view thereof;
FIG. 4 is a top view thereof;
FIG. 5 is a bottom view thereof;
FIG. 6 is a left side view thereof;
FIG. 7 is a right side view thereof;
FIG. 8 is an exploded perspective view thereof;
FIG. 9 is an exploded top view thereof; and,
FIG. 10 is an exploded bottom view thereof. The broken lines are directed to environment and are for illustrative purposes only. The broken lines form no part of the claimed design.

1 Claim, 9 Drawing Sheets

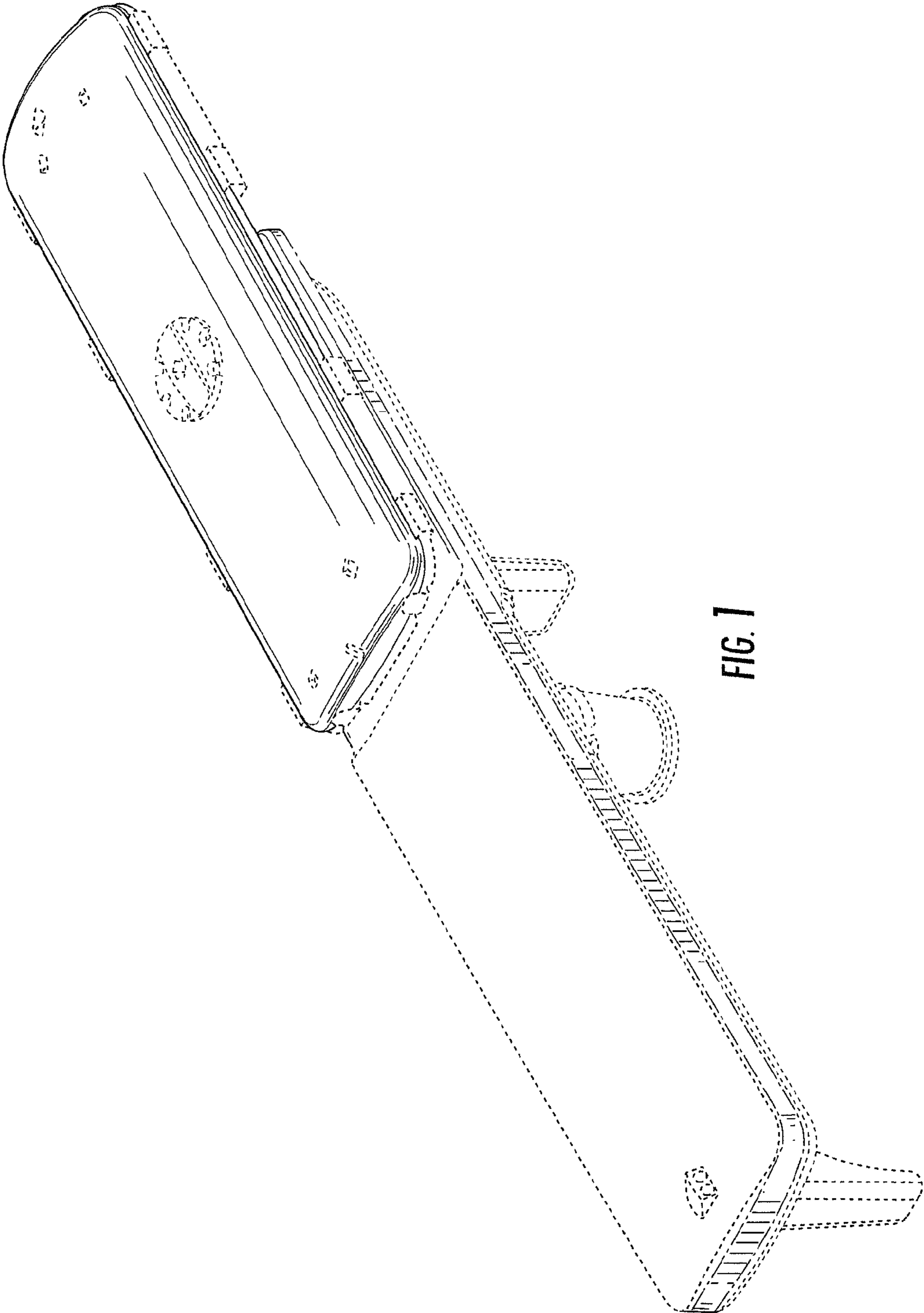


US D675,387 S

Page 2

FOREIGN PATENT DOCUMENTS					
EP	0 727 182 A2	8/1996	JP	4-327824 (A)	11/1992
EP	0 766 945 A2	4/1997	JP	5-130964 (A)	5/1993
EP	1 123 684 A2	8/2001	JP	7-163505 (A)	6/1995
EP	2 215 952 A1	8/2010	JP	7-250799 (A)	10/1995
EP	2 279 687 A1	2/2011	JP	8-206052 (A)	8/1996
GB	550511 A	9/1941	JP	2002-272666 (A)	9/2002
JP	4-067828 (A)	3/1992	JP	2004-000654 (A)	1/2004
JP	4-279134 (A)	10/1992			

* cited by examiner



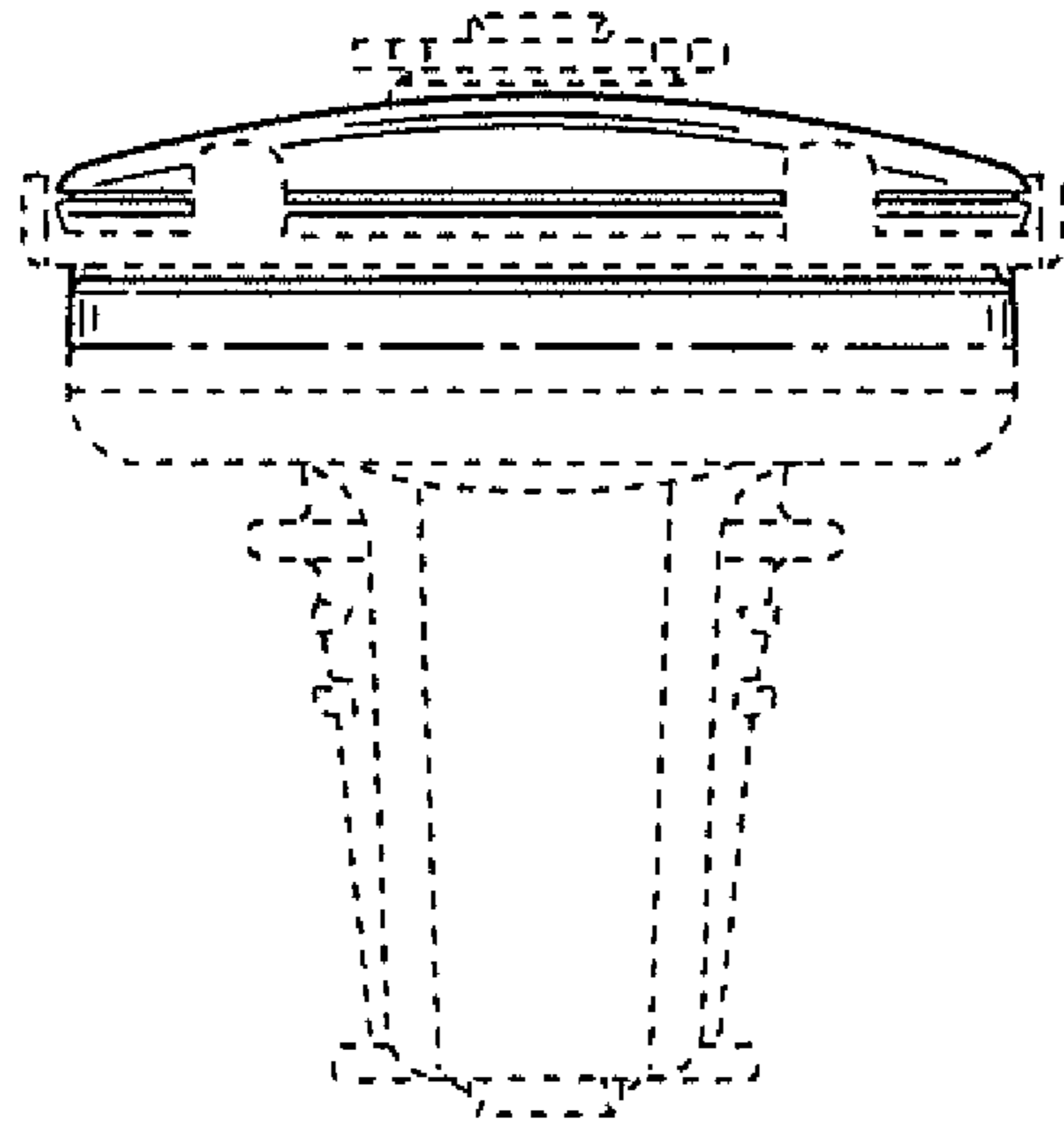


FIG. 2

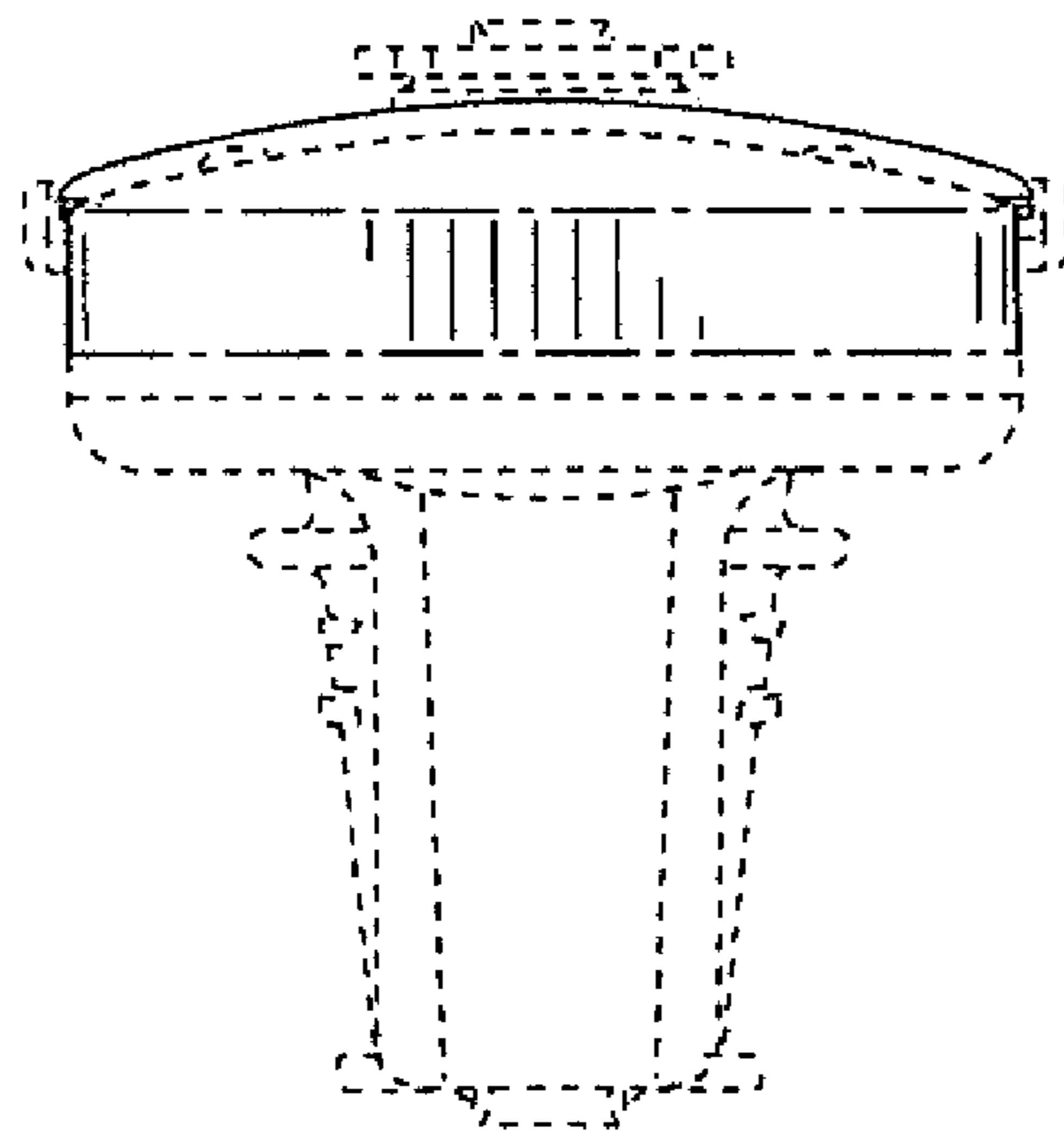


FIG. 3

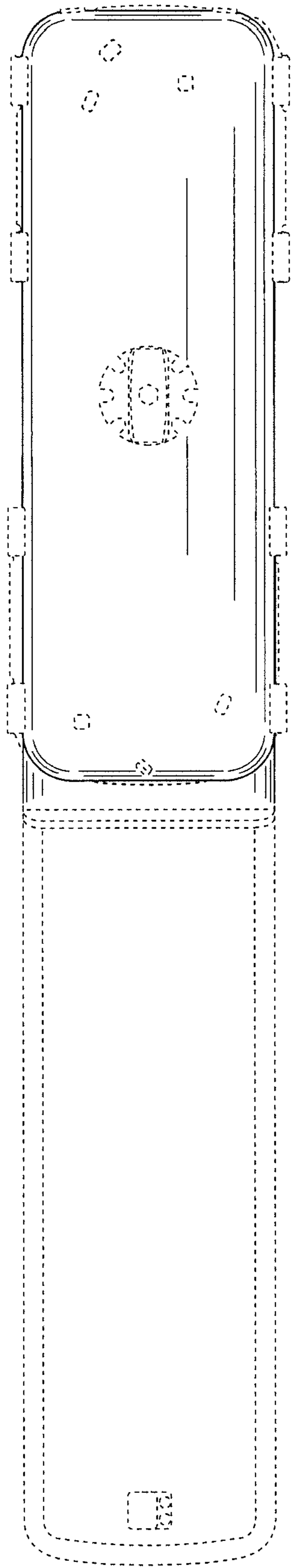


FIG. 4

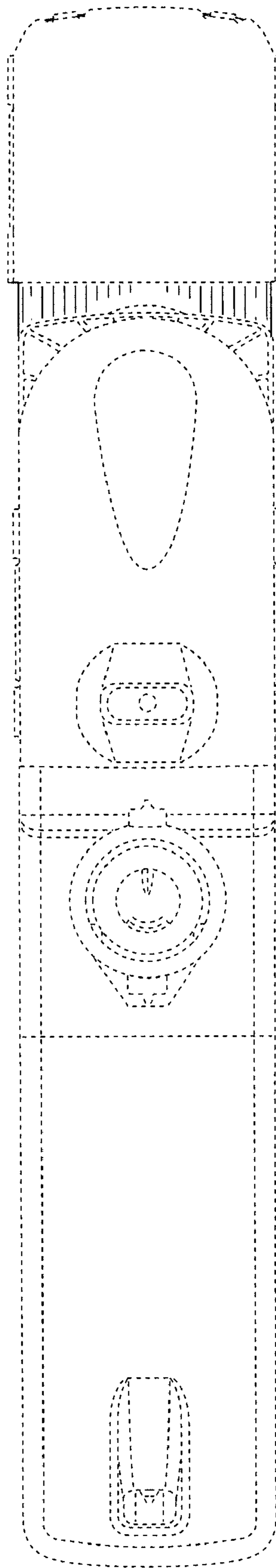


FIG. 5

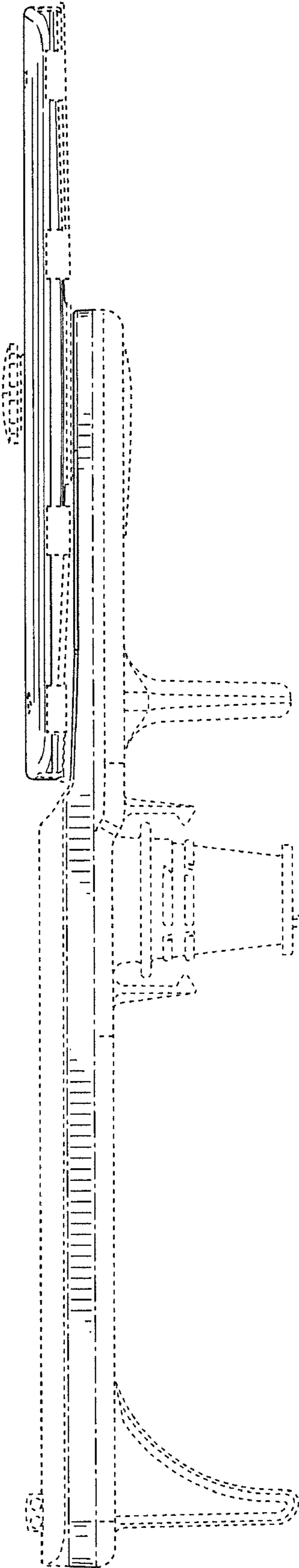


FIG. 6

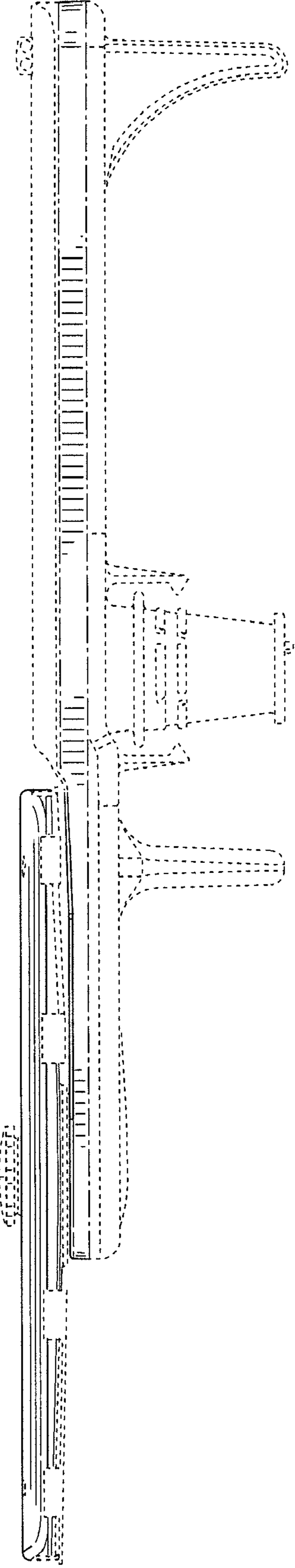


FIG. 7

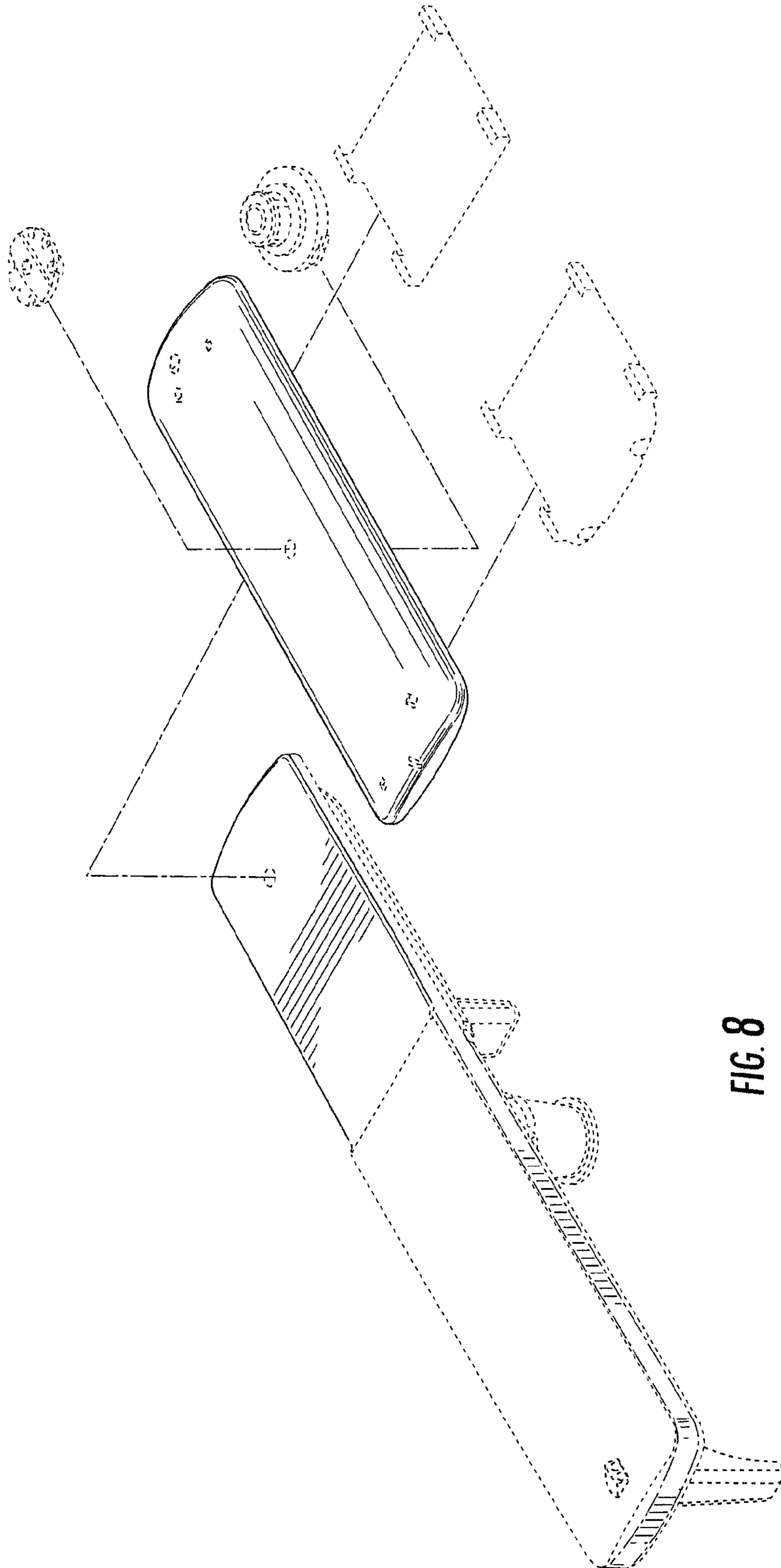


FIG. 8

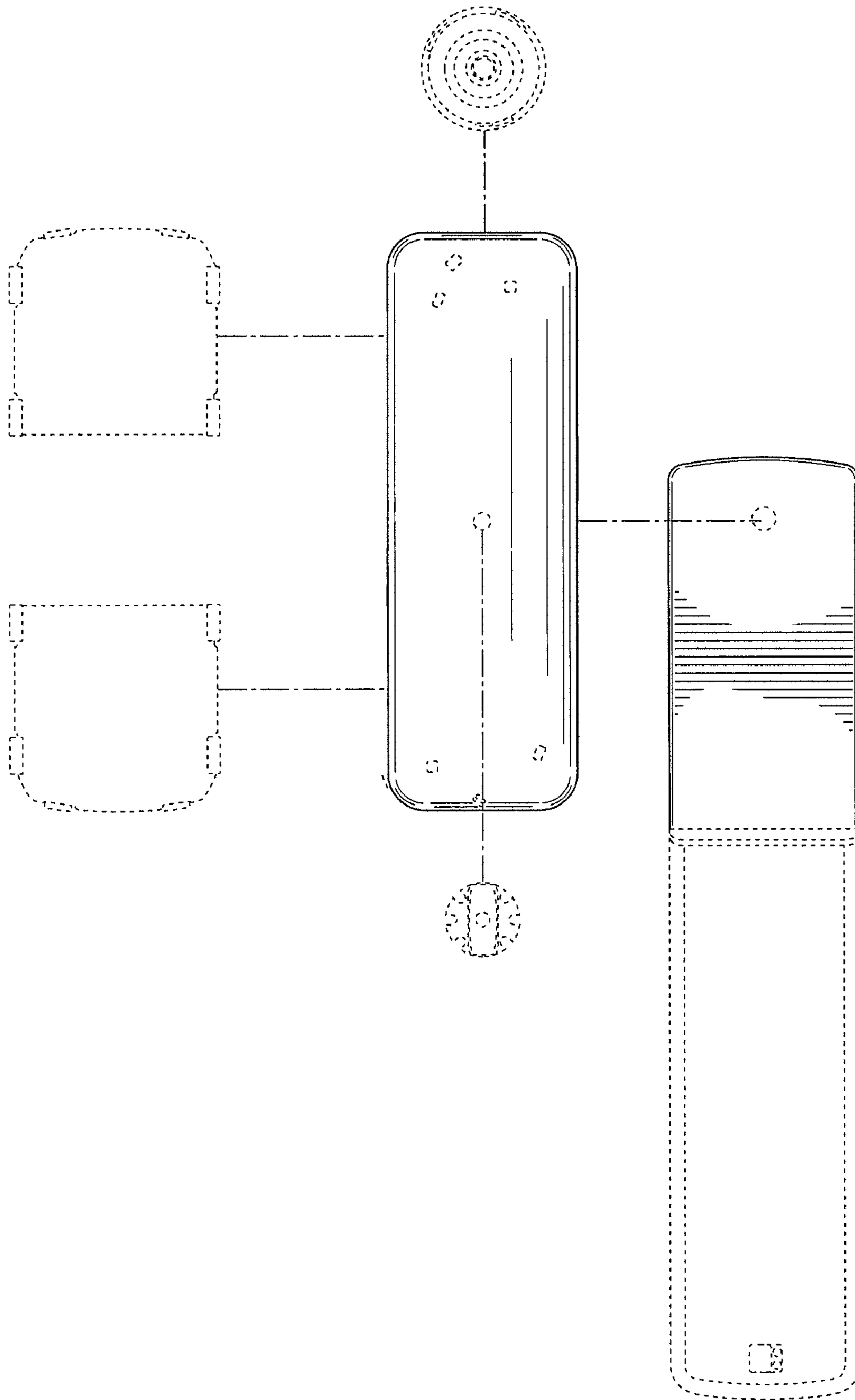


FIG. 9

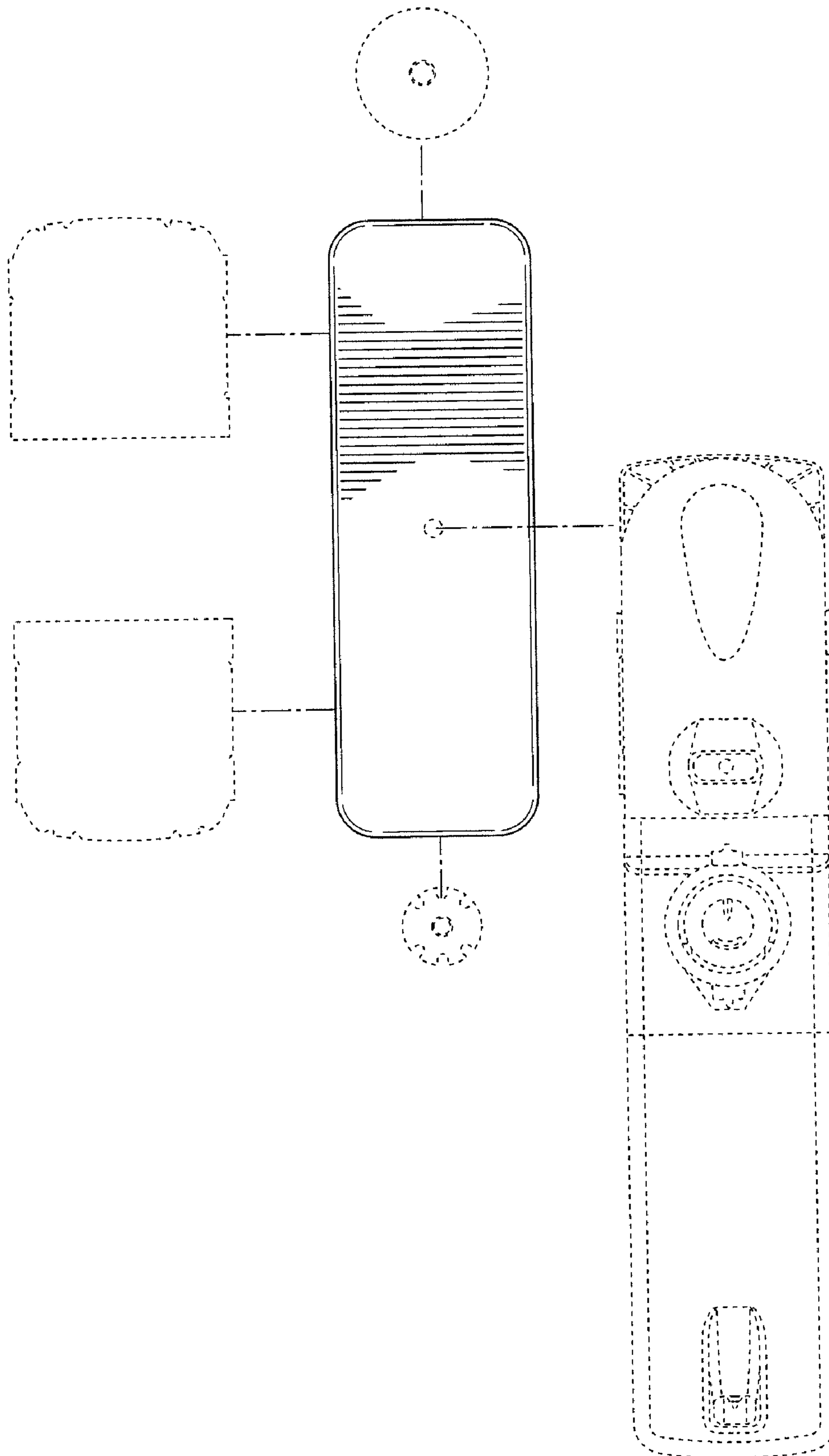


FIG. 10