



US00D675386S

(12) **United States Design Patent**  
**Burrows et al.**

(10) **Patent No.:** **US D675,386 S**  
(45) **Date of Patent:** **\*\* Jan. 29, 2013**

- (54) **DISHWASHER SPRAY ARM**
  - (75) Inventors: **James L. Burrows**, Winterville, NC (US); **Virgil J. Francisco**, Ayden, NC (US); **Billy Justin Hill**, Kinston, NC (US)
  - (73) Assignee: **Electrolux Home Products, Inc.**, Cleveland, OH (US)
  - (\*\*) Term: **14 Years**
  - (21) Appl. No.: **29/413,521**
  - (22) Filed: **Feb. 16, 2012**
  - (51) **LOC (9) Cl.** ..... **15-05**
  - (52) **U.S. Cl.** ..... **D32/3**
  - (58) **Field of Classification Search** ..... D32/1, D32/2, 3, 25, 28; 134/56 D, 57 D, 58 D, 134/58 DL, 201, 176, 179, 200; 239/227, 239/243, 251
- See application file for complete search history.

6,263,888	B1	7/2001	Nomura et al.	
6,325,083	B1 *	12/2001	Worter .....	134/180
D461,284	S *	8/2002	Hegeman et al. ....	D32/3
6,959,881	B2	11/2005	Kim	
6,964,090	B2 *	11/2005	Mathieu et al. ....	29/458
7,047,986	B2	5/2006	Ertle et al.	
7,055,537	B2 *	6/2006	Elick et al. ....	134/180
2004/0000331	A1 *	1/2004	Elick et al. ....	134/180
2009/0145981	A1	6/2009	Mack et al.	
2010/0043825	A1	2/2010	Bertsch et al.	
2010/0043826	A1	2/2010	Bertsch et al.	
2012/0037193	A1 *	2/2012	Bayer et al. ....	134/180

**FOREIGN PATENT DOCUMENTS**

CN	1600260	A	3/2005
DE	44 16 655	A1	11/1995
DE	297 18 777	U1	3/1998
DE	10 2004 043 772	A1	3/2006
DE	10 2009 007 297	A1	8/2010
EP	0 727 177	A2	8/1996
EP	0 727 182	A2	8/1996

(Continued)

*Primary Examiner* — T. Chase Nelson  
*Assistant Examiner* — Kathleen M Sims  
(74) *Attorney, Agent, or Firm* — Alston & Bird LLP

(57) **CLAIM**

We claim the ornamental design for a dishwasher spray arm, as shown and described.

**DESCRIPTION**

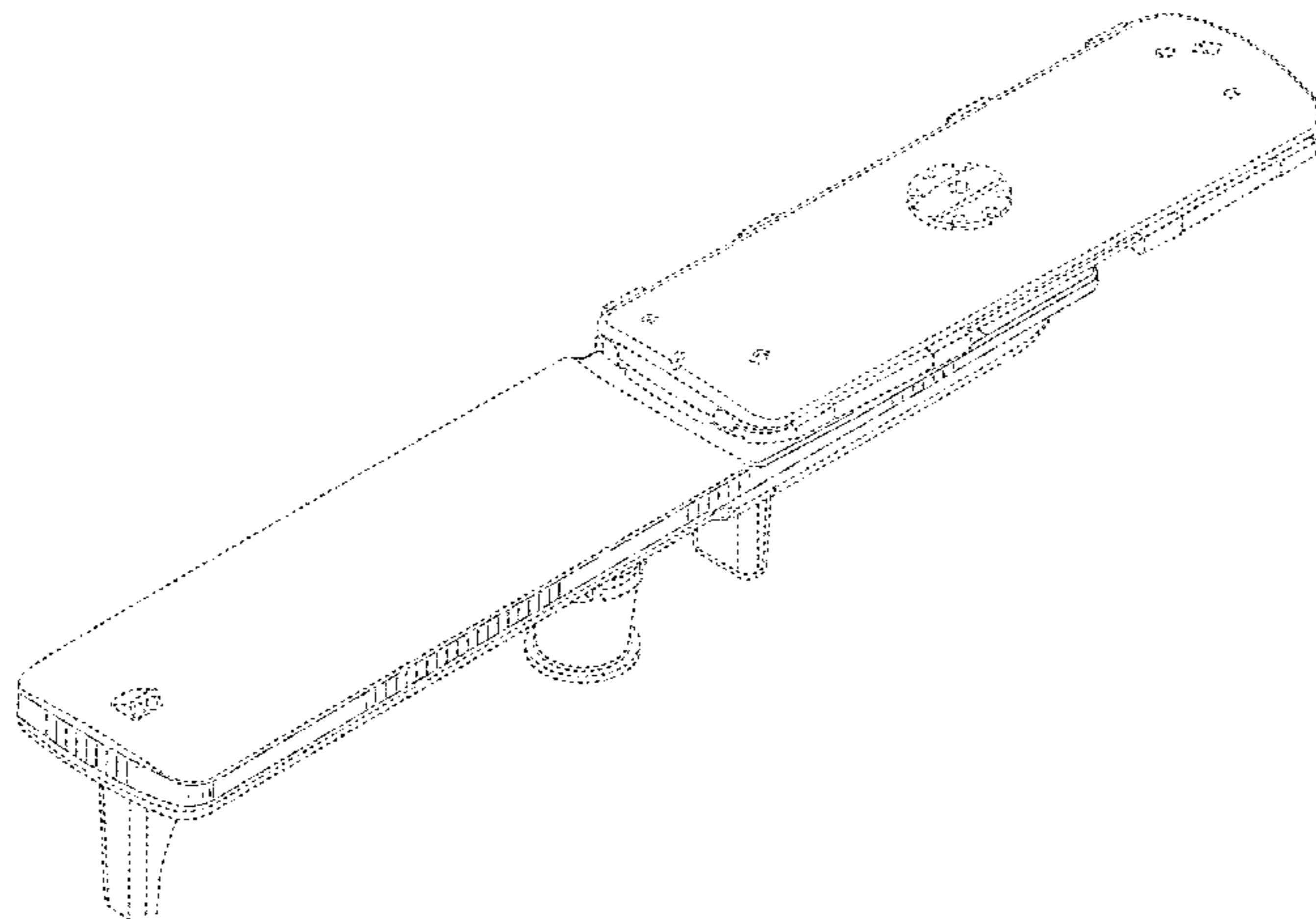
FIG. 1 is a perspective view of a dishwasher spray arm showing our new design;  
FIG. 2 is a front view thereof;  
FIG. 3 is a rear view thereof;  
FIG. 4 is a top view thereof;  
FIG. 5 is a bottom view thereof;  
FIG. 6 is a left side view thereof;  
FIG. 7 is a right side view thereof;  
FIG. 8 is an exploded perspective view thereof;  
FIG. 9 is an exploded top view thereof;  
FIG. 10 is an exploded bottom view thereof; and,  
FIG. 11 is an exploded front view thereof. The broken lines are directed to environment and are for illustrative purposes only. The broken lines form no part of the claimed design.

**1 Claim, 10 Drawing Sheets**

(56) **References Cited**

**U.S. PATENT DOCUMENTS**

2,440,161	A	4/1948	Vaudreuil	
2,631,059	A	3/1953	Karlstrom	
D196,450	S *	10/1963	Claywell .....	D32/3
D212,121	S *	8/1968	Tuthill et al. ....	D32/3
3,468,486	A	9/1969	Mercer	
3,496,949	A	2/1970	Mercer	
3,667,473	A	6/1972	Matteson	
3,672,573	A *	6/1972	Morgan .....	239/261
3,771,725	A	11/1973	Jenkins et al.	
3,876,148	A	4/1975	Cushing et al.	
3,960,328	A *	6/1976	Archambault .....	239/264
5,267,582	A *	12/1993	Purtilo .....	134/180
5,333,631	A	8/1994	Kirkland et al.	
5,449,011	A	9/1995	Jacobus et al.	
5,464,482	A	11/1995	Michael et al.	
5,477,874	A	12/1995	Yura et al.	
5,542,443	A	8/1996	Yura et al.	
5,560,381	A *	10/1996	Edwards .....	134/176
D376,451	S *	12/1996	Osborn .....	D32/3
5,579,789	A	12/1996	Spiegel	
5,662,744	A *	9/1997	Tuller et al. ....	134/25.2
5,673,714	A	10/1997	Campagnolo et al.	



# US D675,386 S

Page 2

---

FOREIGN PATENT DOCUMENTS					
EP	0 766 945 A2	4/1997	JP	4-327824 (A)	11/1992
EP	1 123 684 A2	8/2001	JP	5-130964 (A)	5/1993
EP	2 215 952 A1	8/2010	JP	7-163505 (A)	6/1995
EP	2 279 687 A1	2/2011	JP	7-250799 (A)	10/1995
GB	550511 A	9/1941	JP	8-206052 (A)	8/1996
JP	4-067828 (A)	3/1992	JP	2002-272666 (A)	9/2002
JP	4-279134 (A)	10/1992	JP	2004-000654 (A)	1/2004

\* cited by examiner

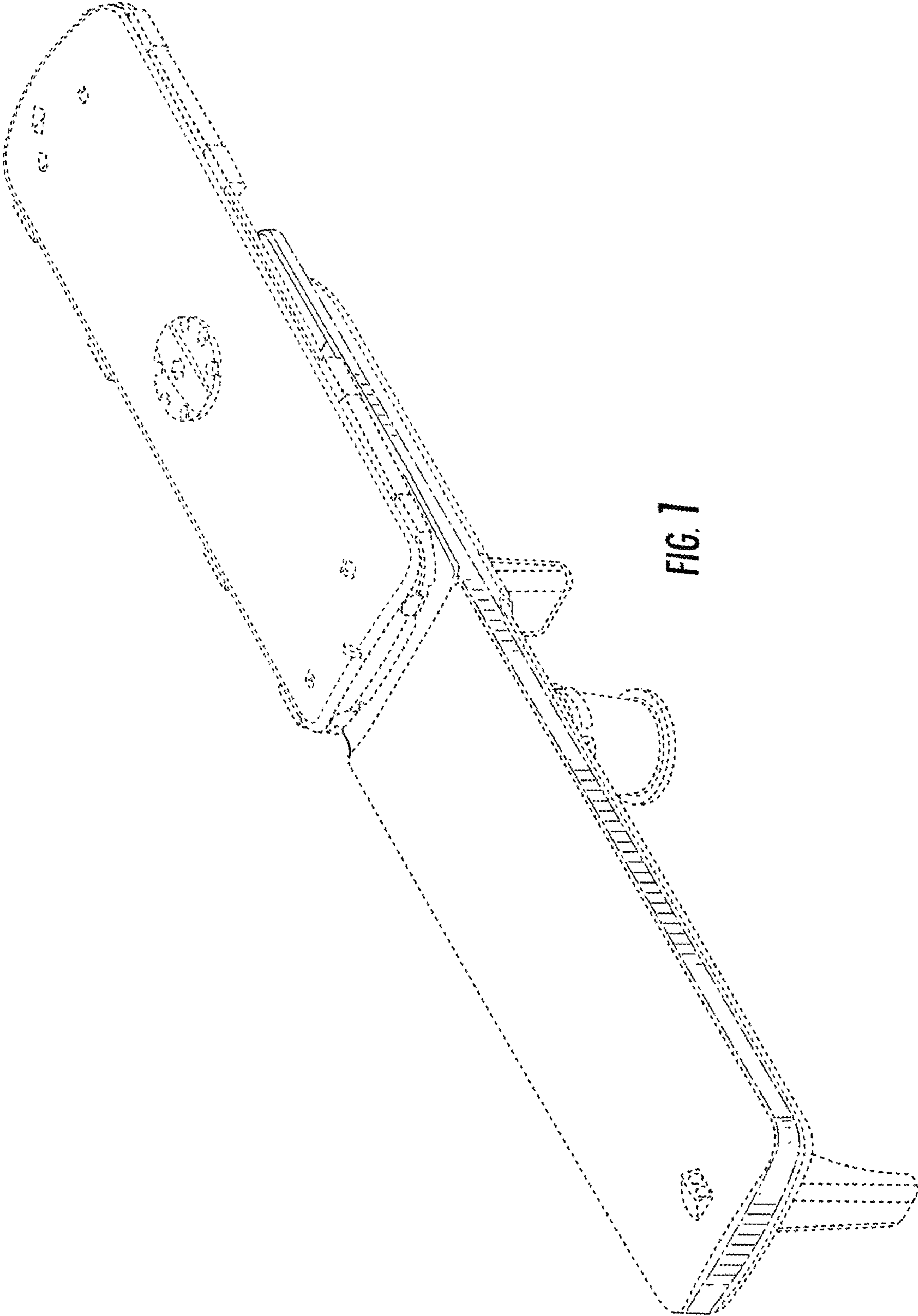
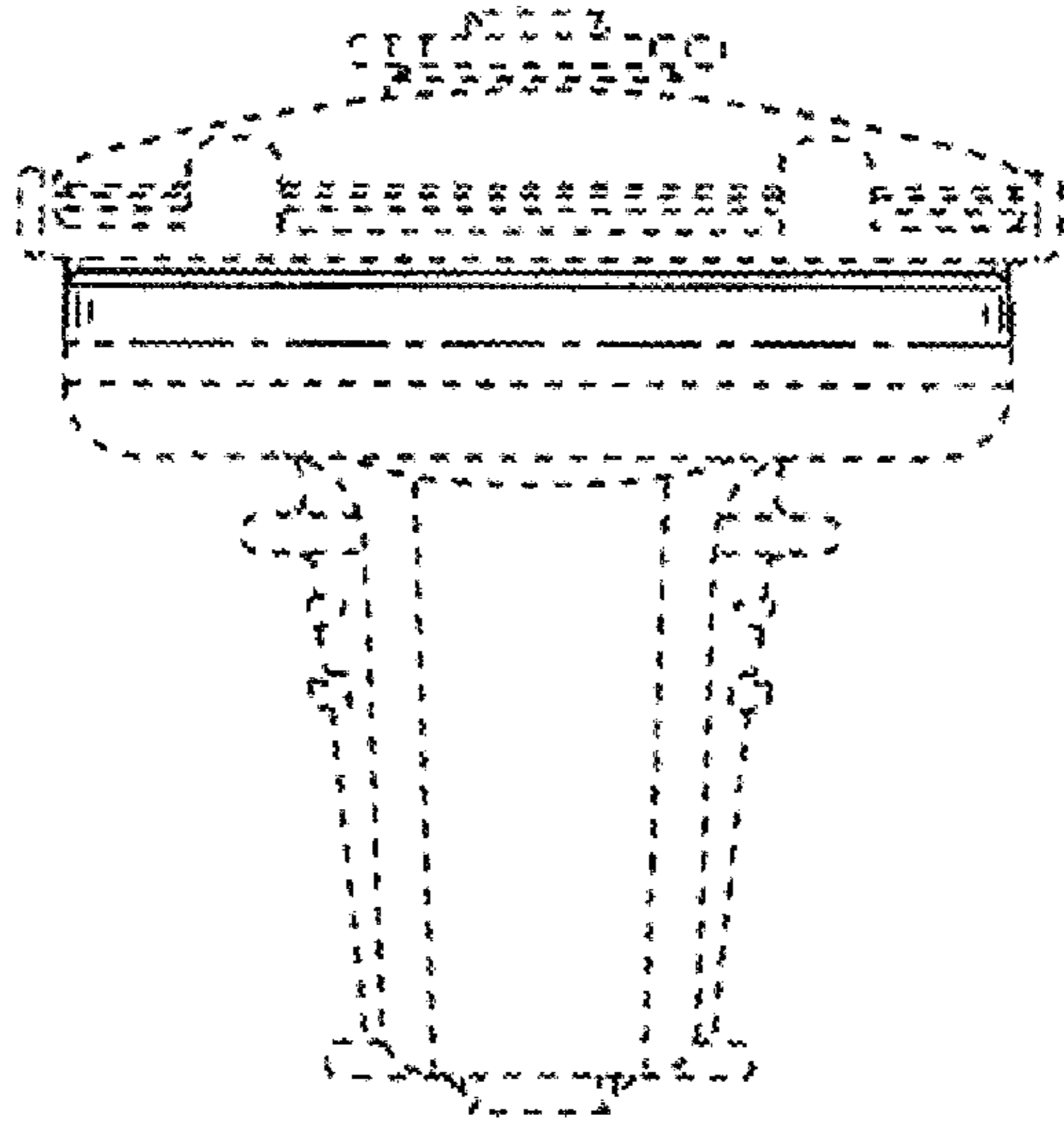
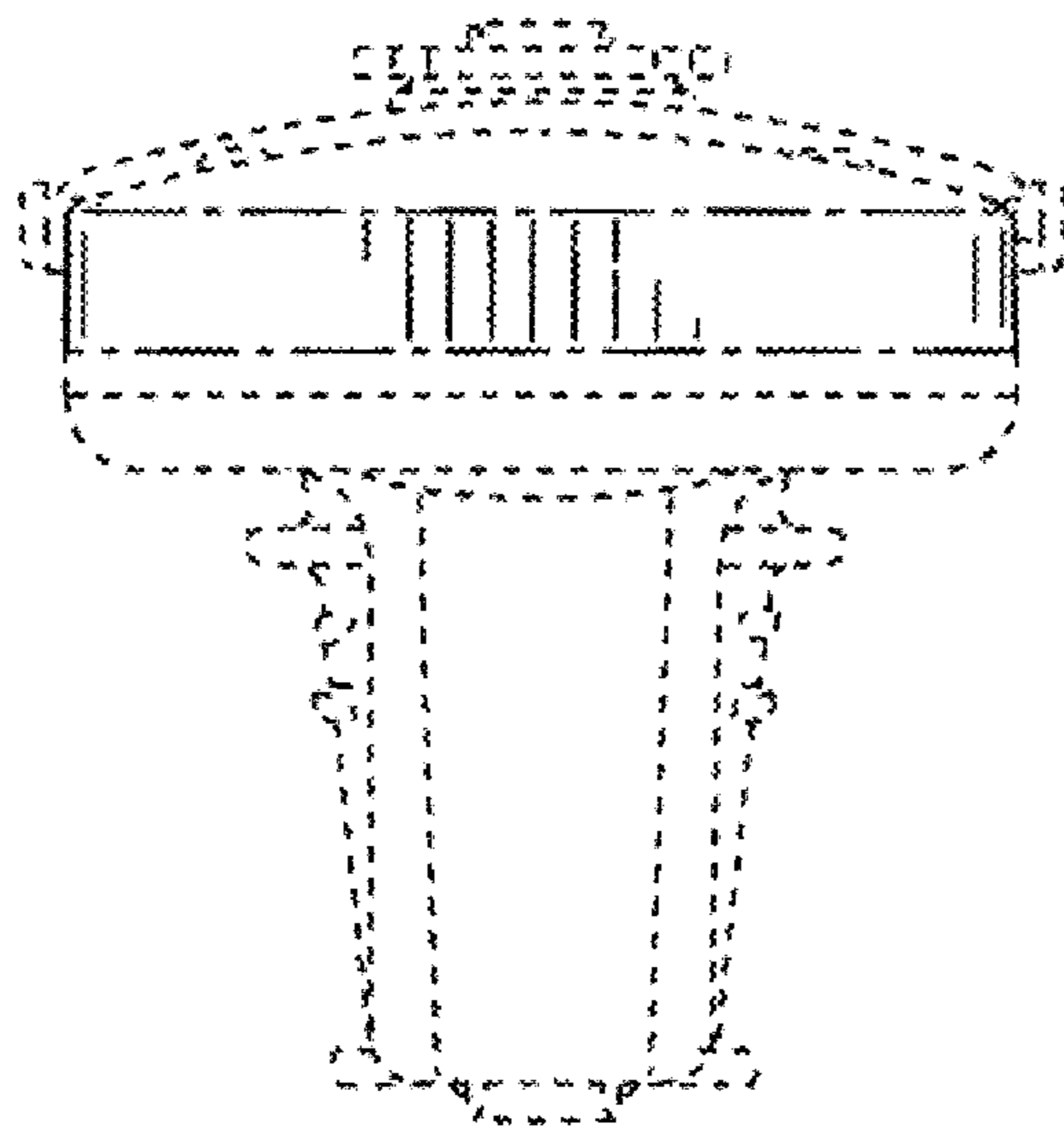


FIG. 1



**FIG. 2**



**FIG. 3**

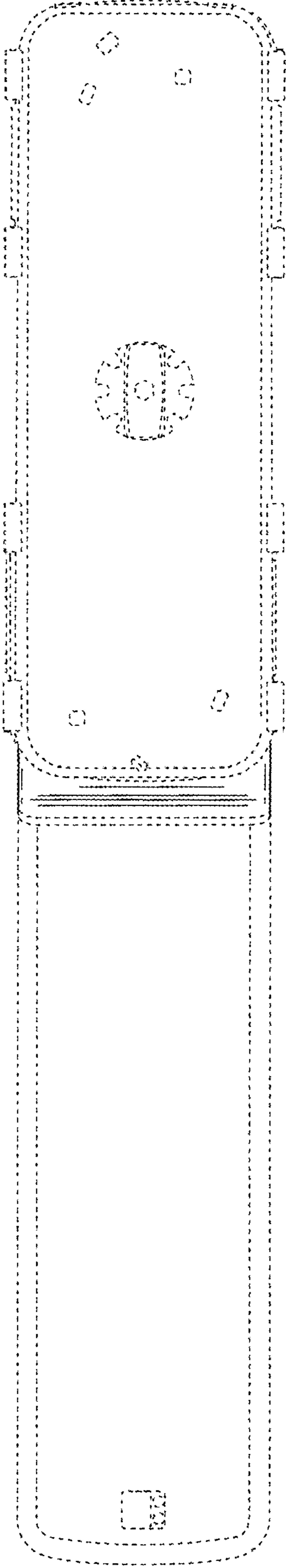


FIG. 4

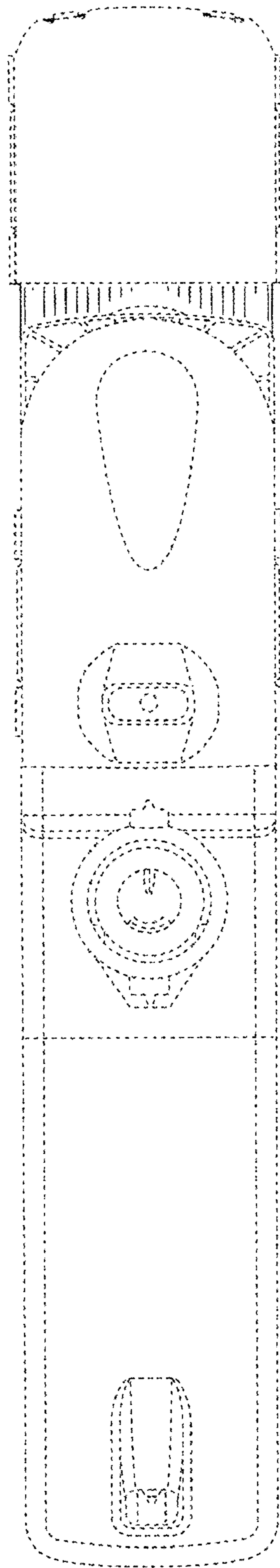


FIG. 5



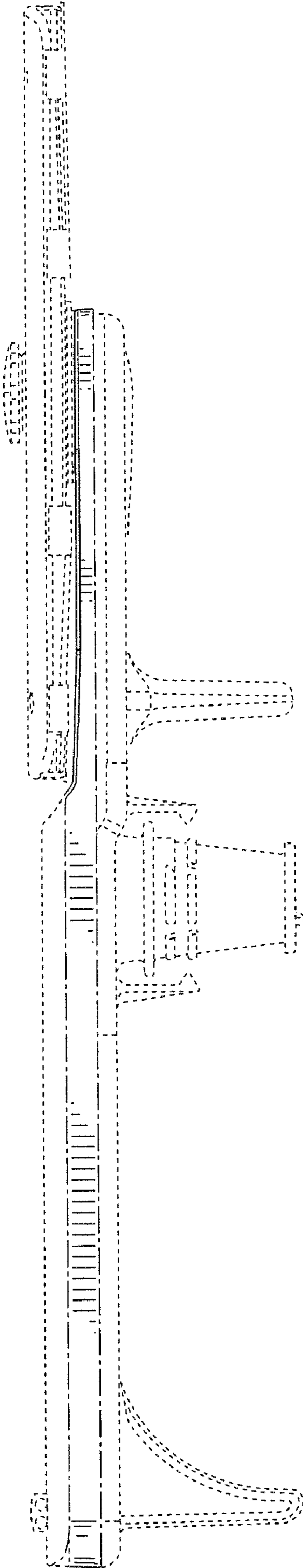


FIG. 6

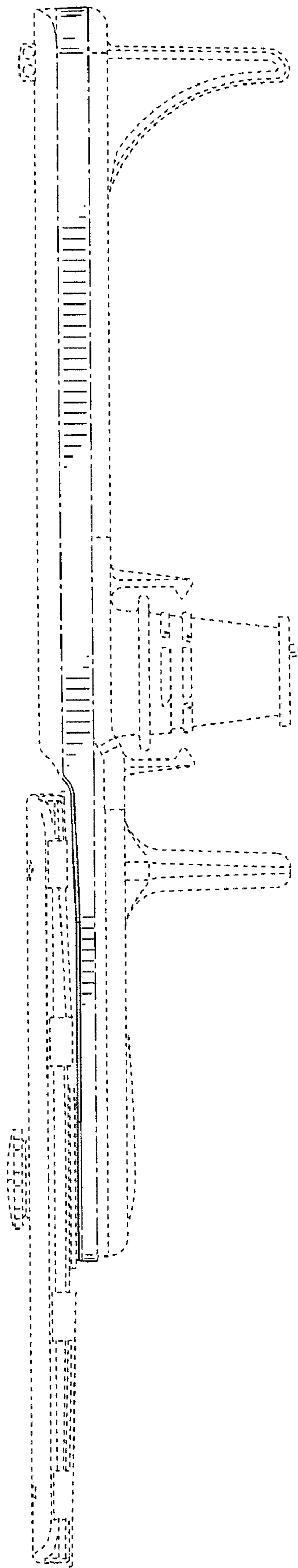


FIG. 7



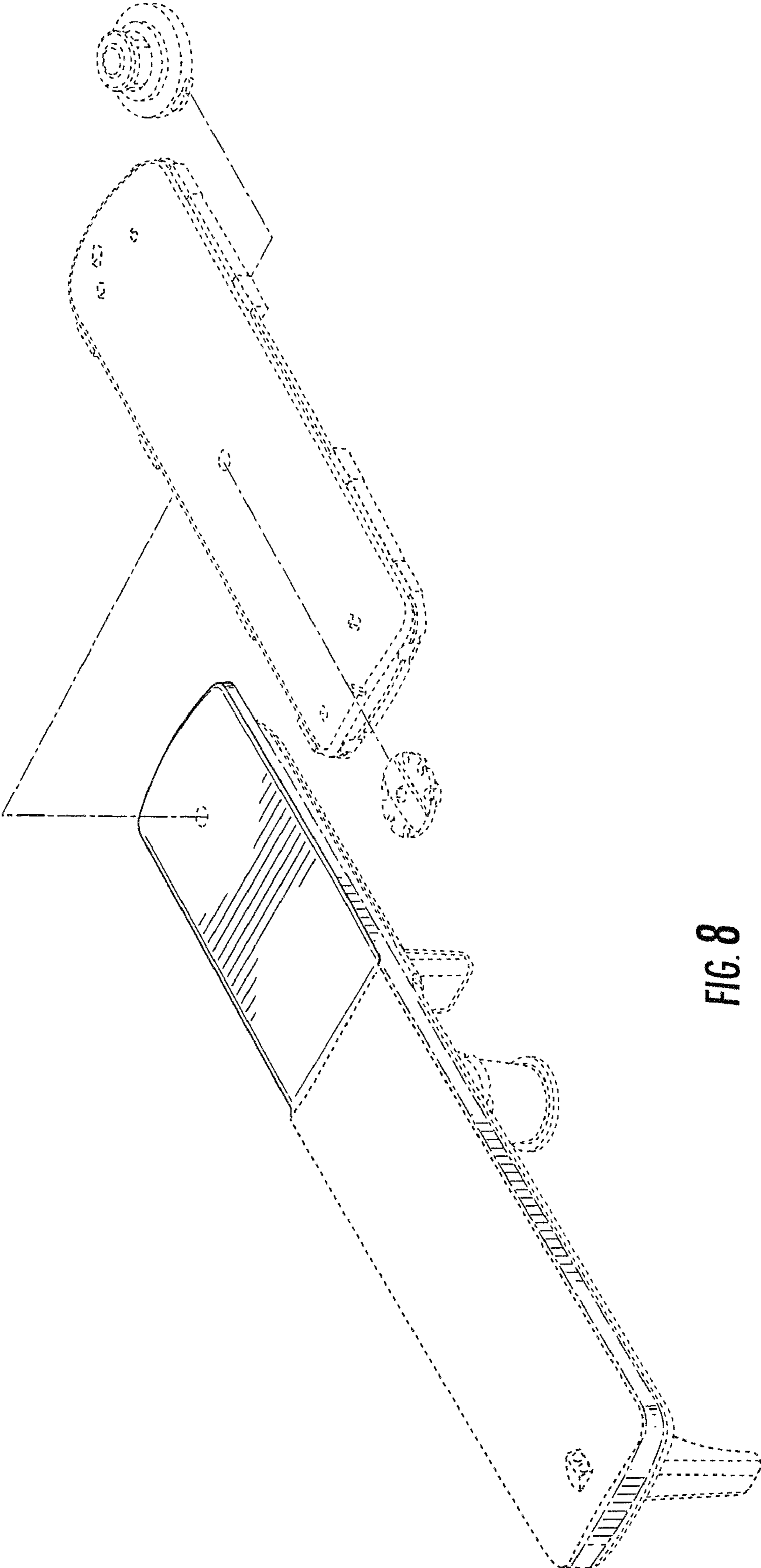


FIG. 8

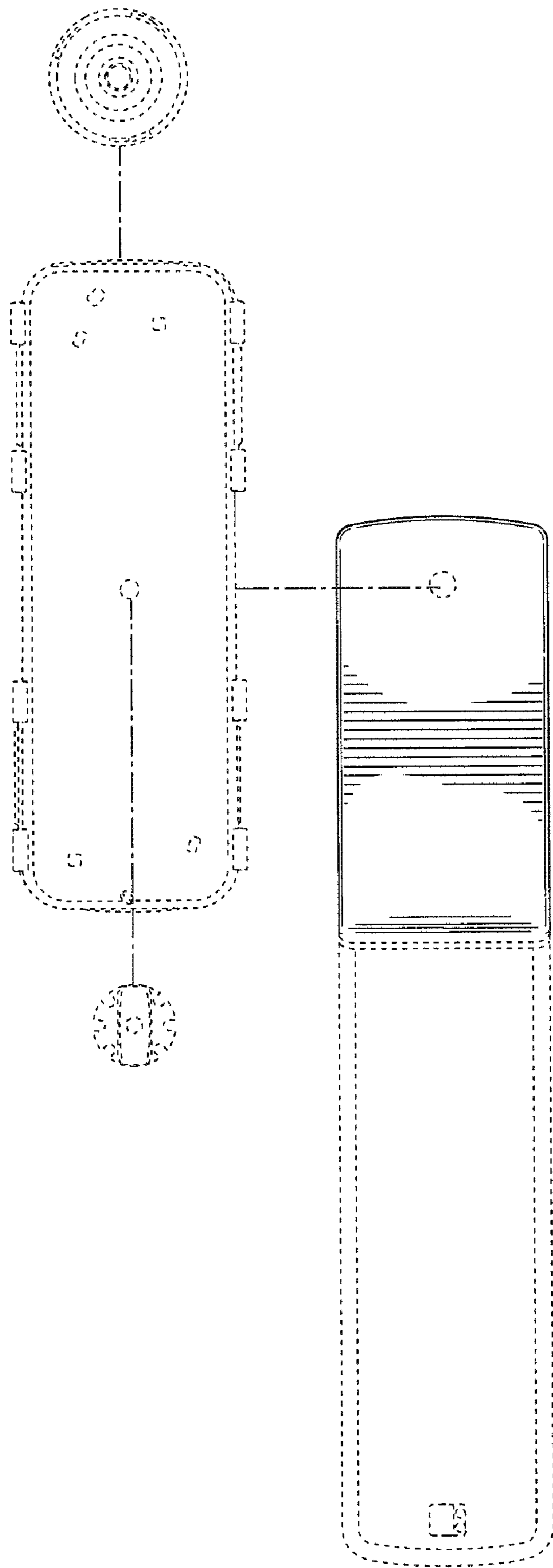


FIG. 9

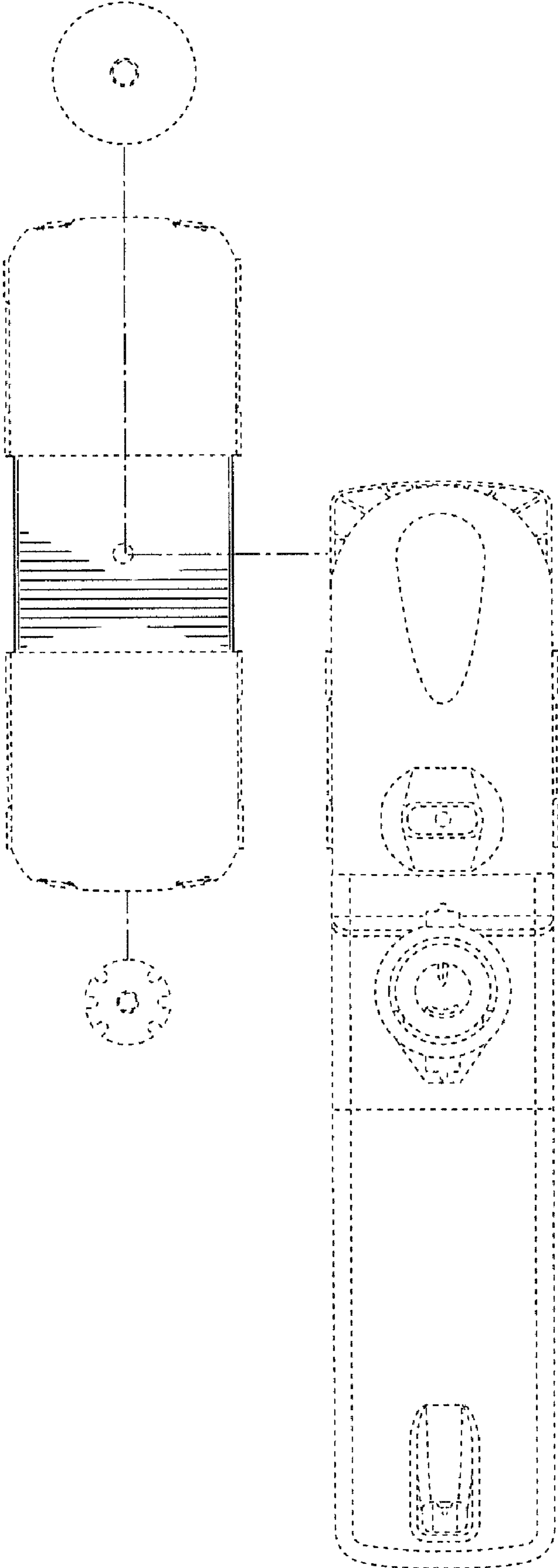
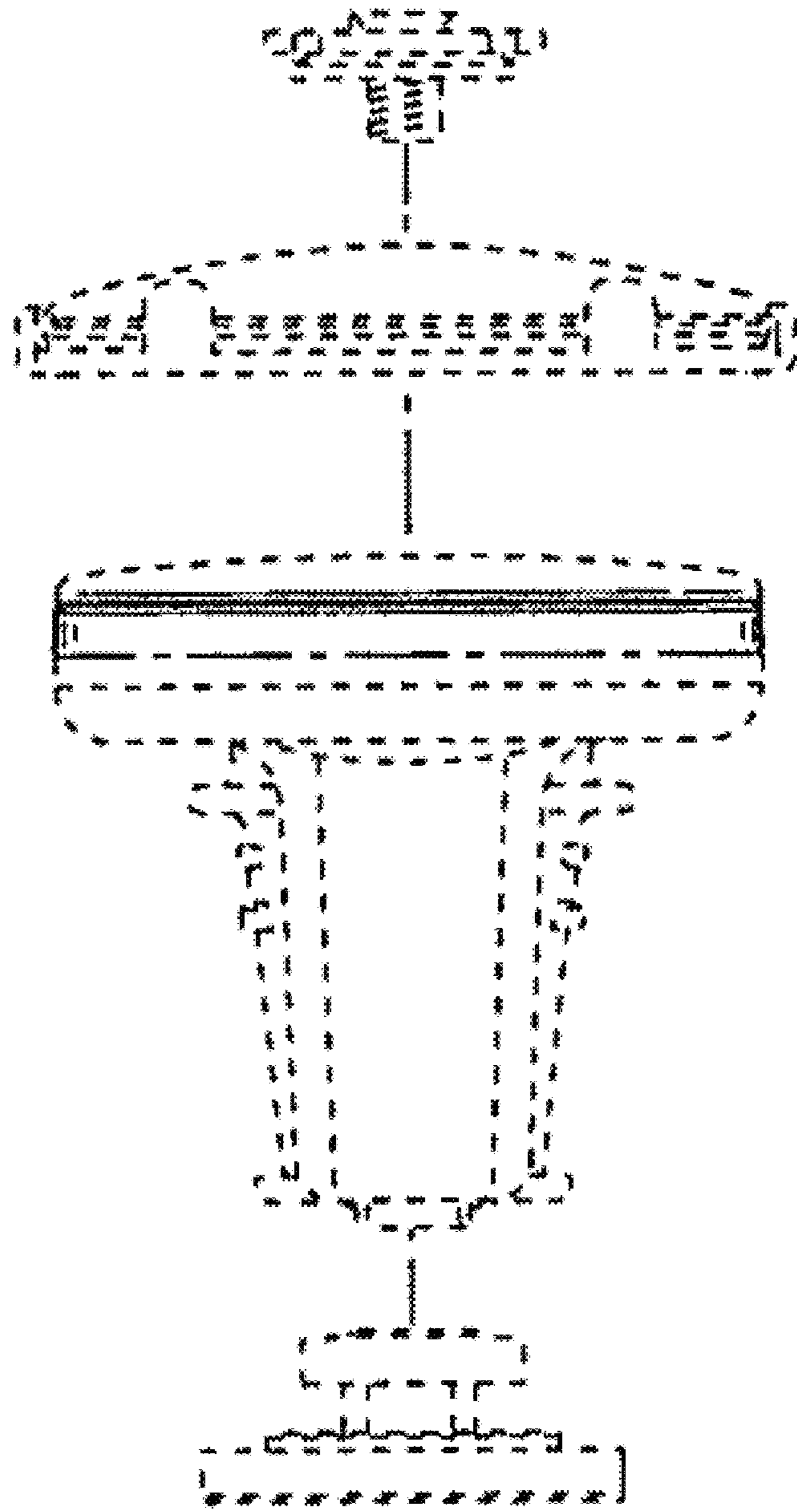


FIG. 10



**FIG. 11**