



US00D675385S

(12) **United States Design Patent**
Pita de Olim

(10) **Patent No.:** **US D675,385 S**

(45) **Date of Patent:** **** Jan. 29, 2013**

(54) **EMERGENCY UNIT**

(75) Inventor: **Nelson Nuno Pita de Olim**, Paco de Arcos (PT)

(73) Assignee: **Med First Lda.**, Paco de Arcos (PT)

(**) Term: **14 Years**

(21) Appl. No.: **29/399,939**

(22) Filed: **Aug. 22, 2011**

(30) **Foreign Application Priority Data**

Feb. 23, 2011 (EM) 001825316-0001

(51) **LOC (9) Cl.** **29-01**

(52) **U.S. Cl.** **D29/130; D6/559**

(58) **Field of Classification Search** D29/130;
D6/449, 559; 128/205.12; 244/118.6
See application file for complete search history.

(56) **References Cited**

U.S. PATENT DOCUMENTS

D250,377 S * 11/1978 Dooley et al. D6/559
D257,091 S * 9/1980 Crosbie, Sr. D6/559

4,359,048 A * 11/1982 Almasi et al. 128/205.12
D581,183 S * 11/2008 Kutscha et al. D6/449
8,220,742 B2 * 7/2012 Bolder et al. 244/118.6

* cited by examiner

Primary Examiner — Susan Bennett Hattan

Assistant Examiner — Barbara B Lohr

(74) *Attorney, Agent, or Firm* — Notaro, Michalos & Zaccaria P.C.

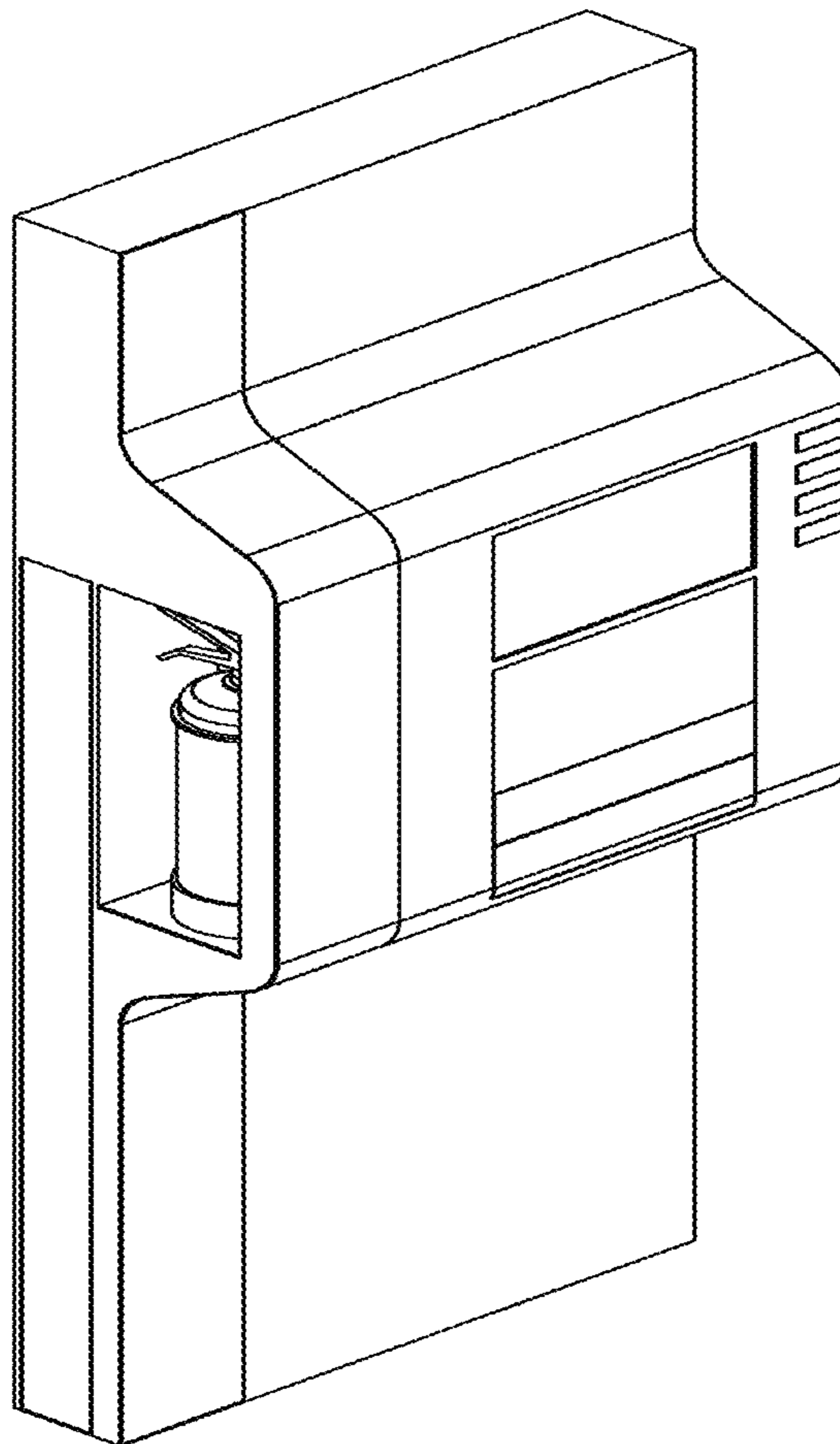
(57) **CLAIM**

The ornamental design for an emergency unit, as shown and described.

DESCRIPTION

FIG. 1 is a front, top right perspective view of an emergency unit showing my new design therefor, and being an emergency unit which is either mounted to a wall or free standing; FIG. 2 is a front, top left perspective view thereof; FIG. 3 is a left side elevational view thereof; FIG. 4 is a right side elevational view thereof; FIG. 5 is a rear elevational view thereof; FIG. 6 is a top plan view thereof; FIG. 7 is a bottom plan view thereof; and, FIG. 8 is a front elevational view thereof.

1 Claim, 7 Drawing Sheets



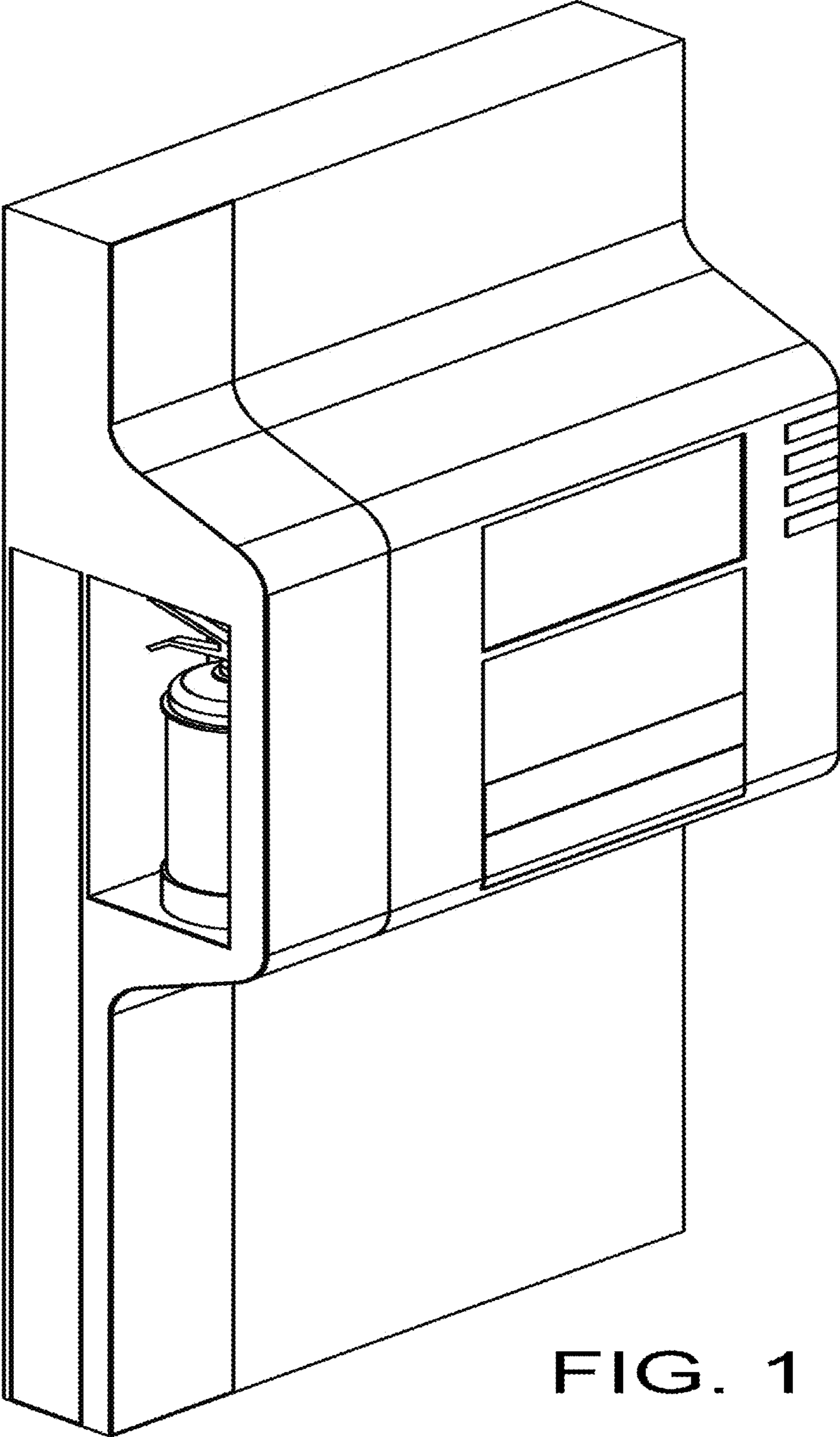


FIG. 1

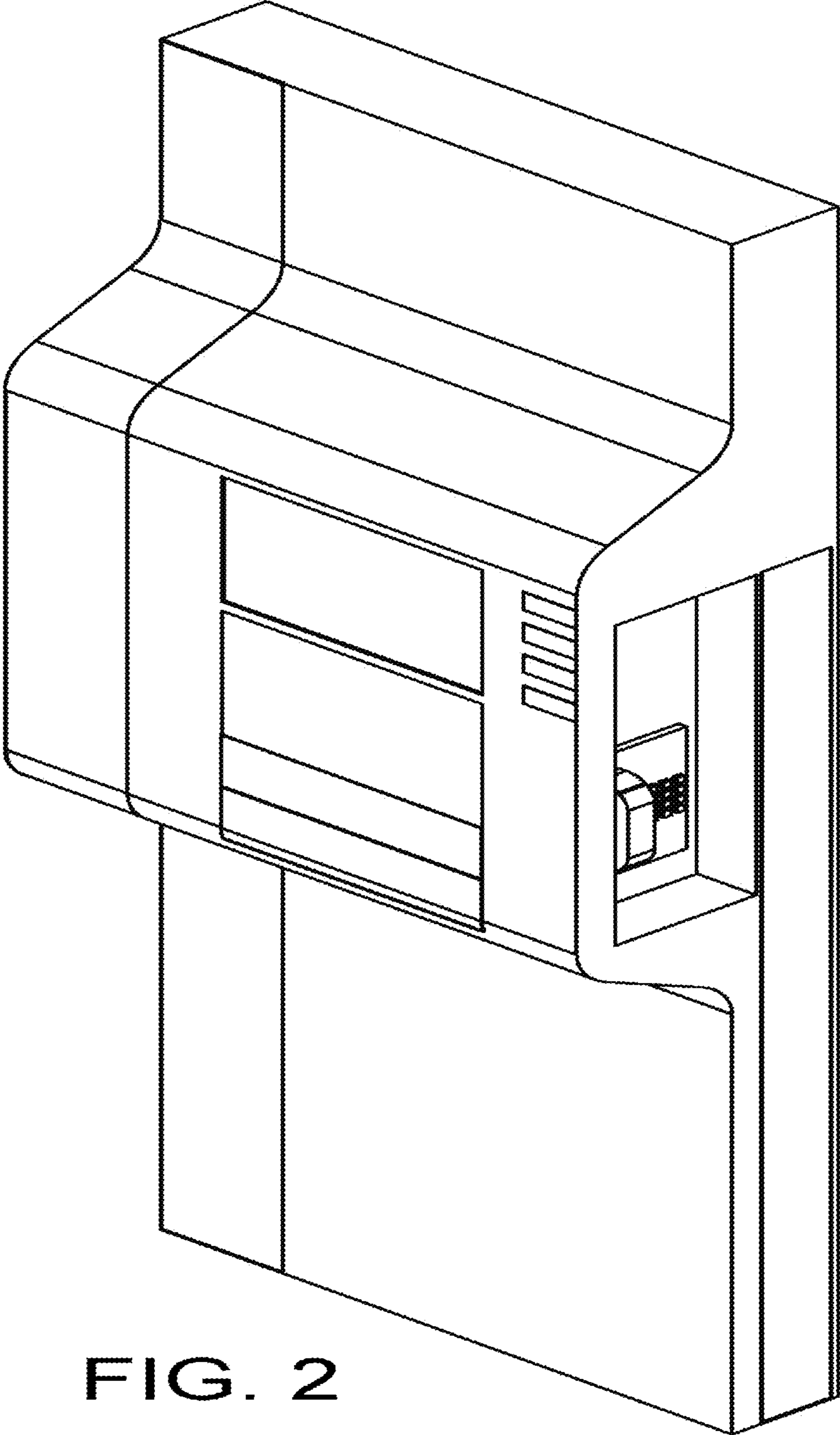


FIG. 2

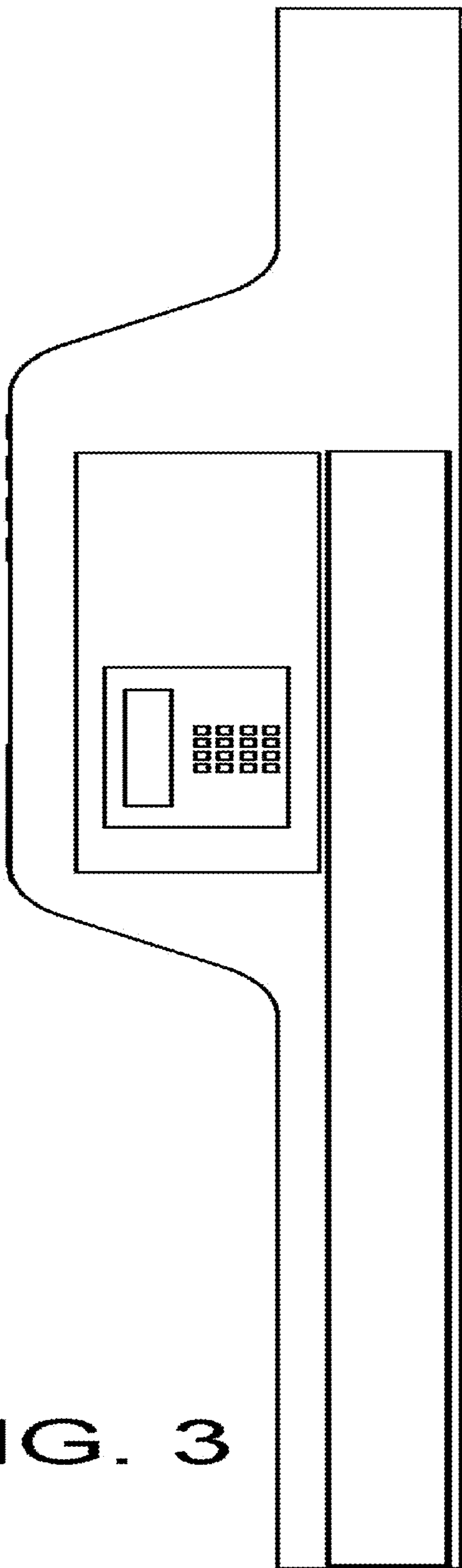


FIG. 3

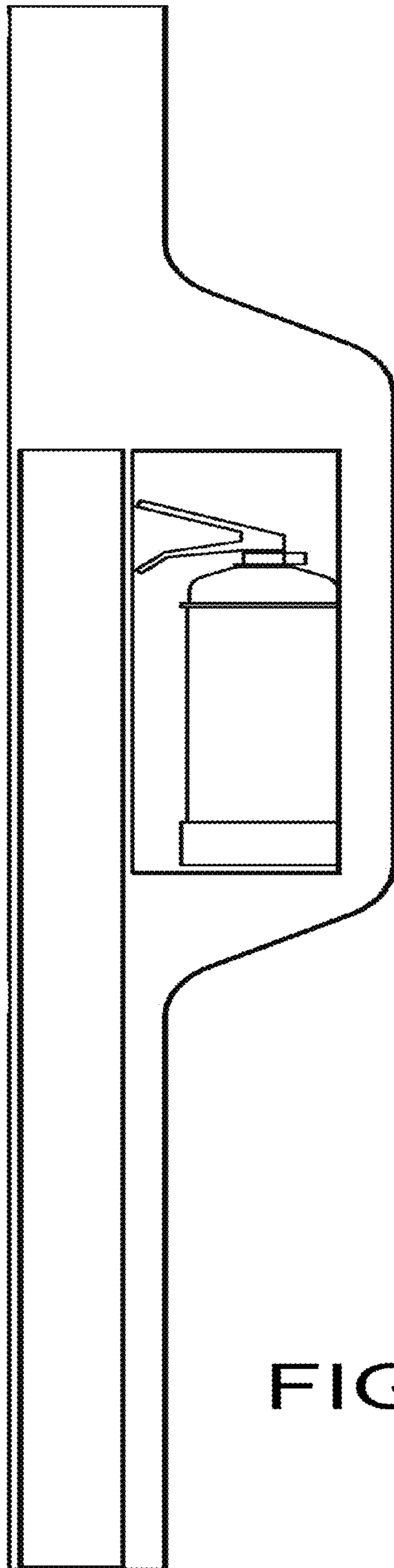


FIG. 4

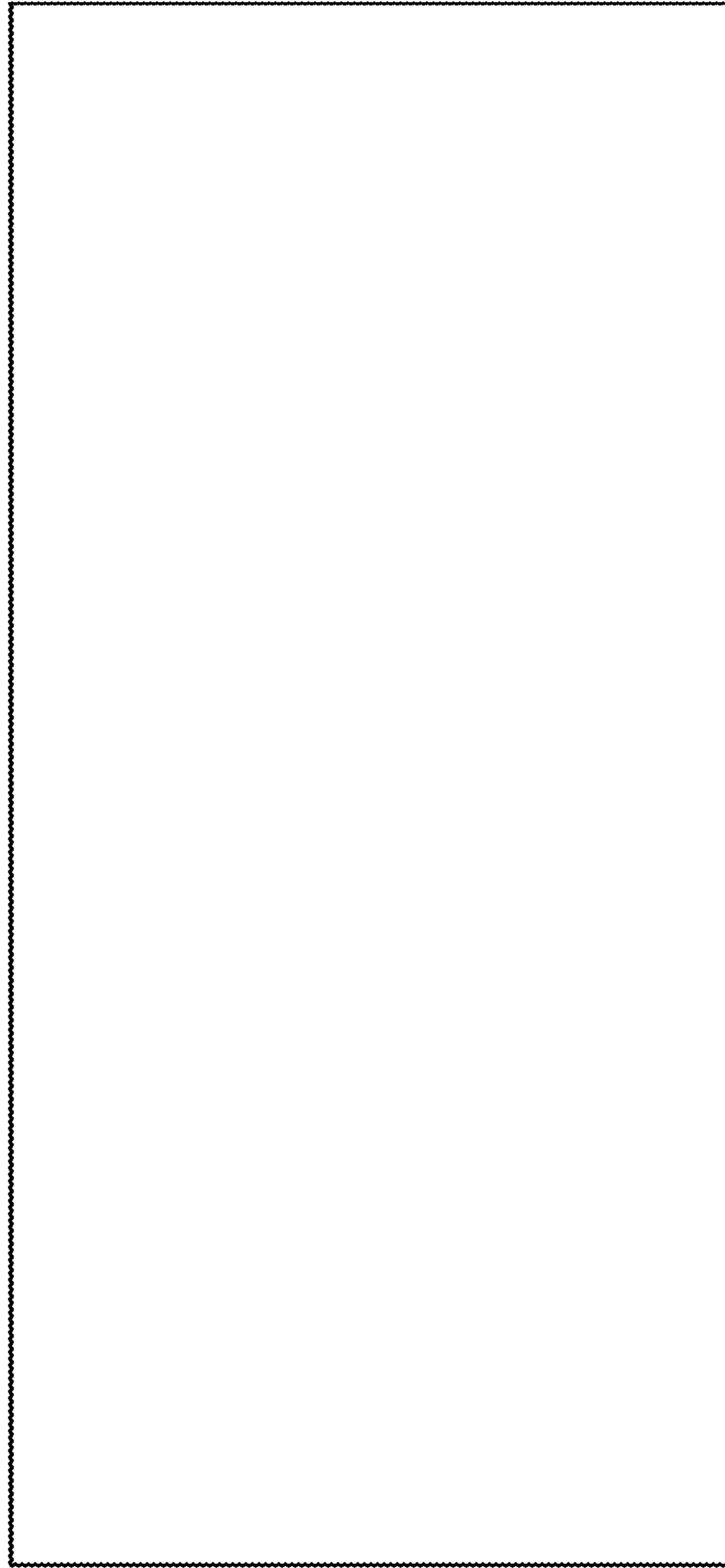


FIG. 5

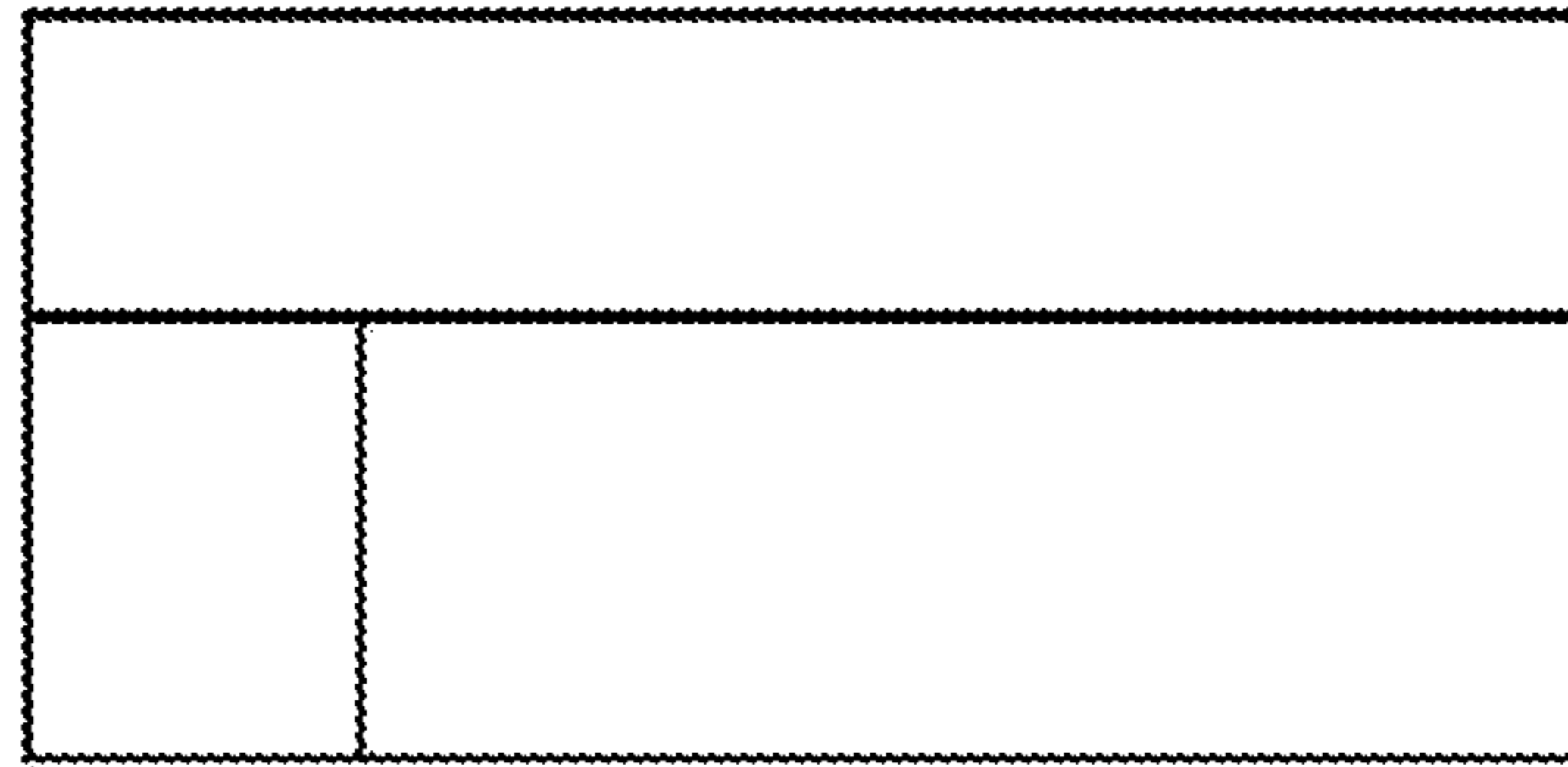


FIG. 6

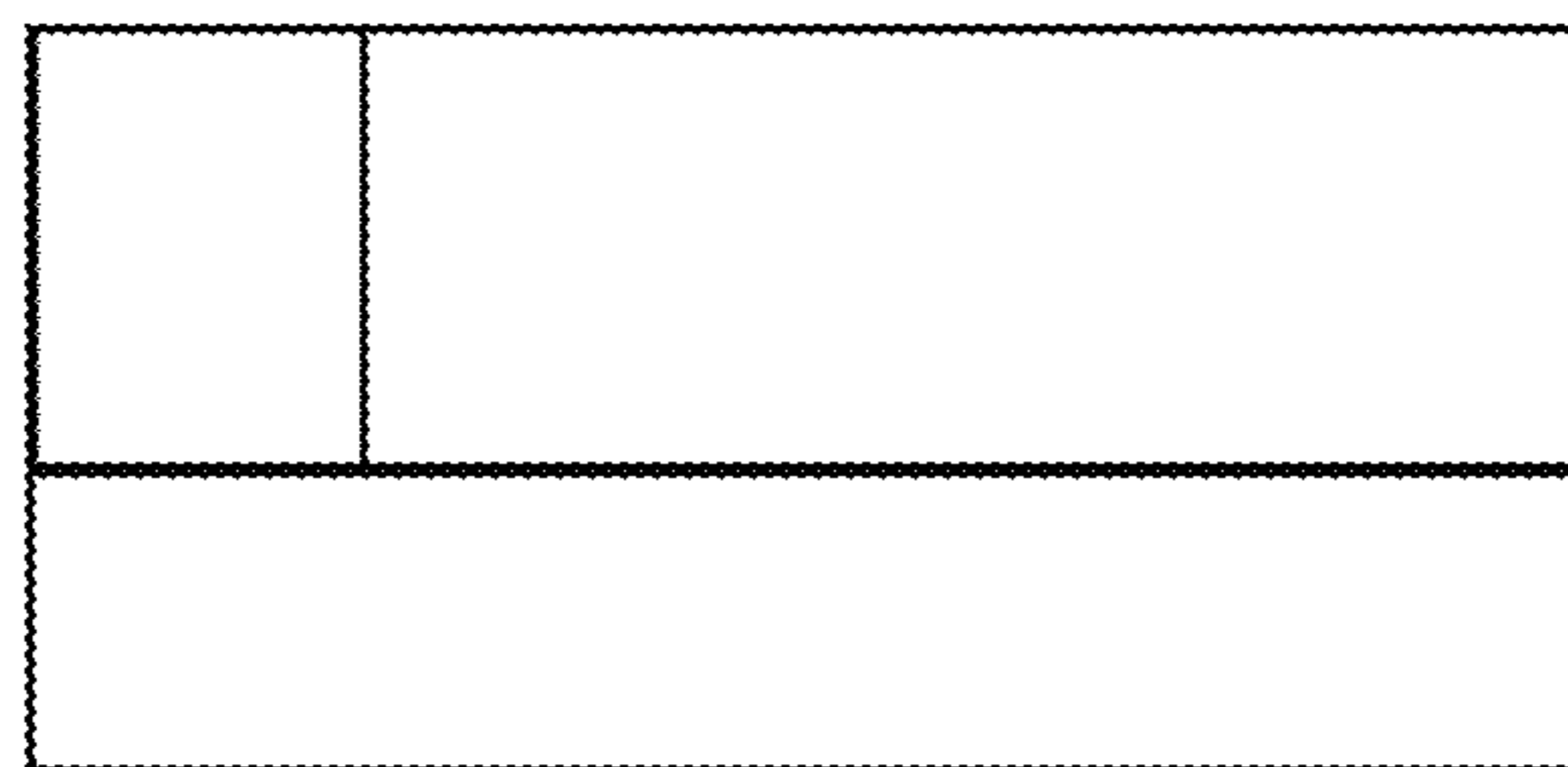


FIG. 7

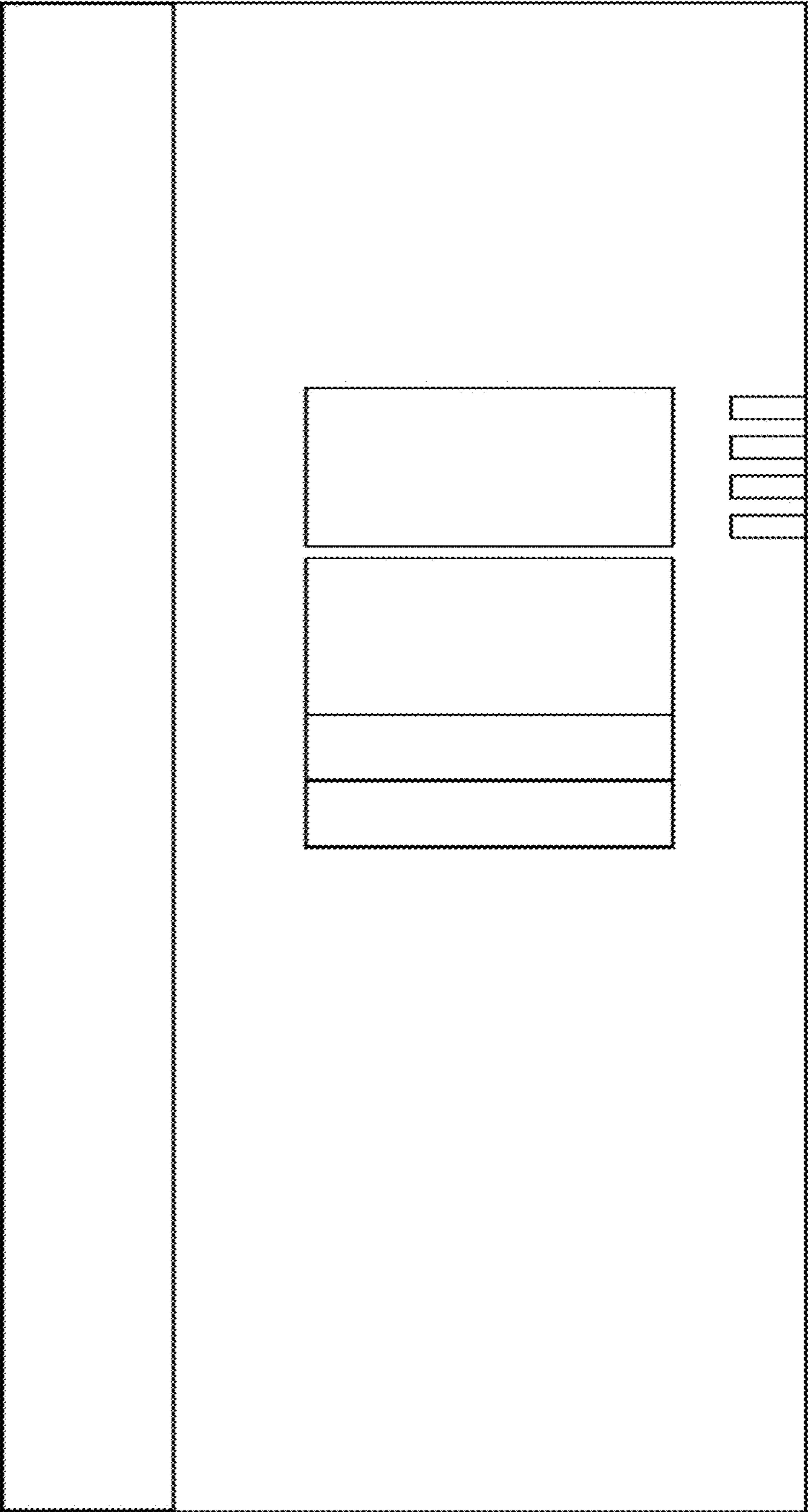


FIG. 8