

US00D675380S

(12) **United States Design Patent**
Yoon

(10) **Patent No.:** **US D675,380 S**
(45) **Date of Patent:** **** Jan. 29, 2013**

(54) **STYLER FOR SHAVER**

(75) Inventor: **Ki-Hyun Yoon**, Utrecht (NL)

(73) Assignee: **Koninklijke Philips Electronics N.V.**,
Eindhoven (NL)

(**) Term: **14 Years**

(21) Appl. No.: **29/419,094**

(22) Filed: **Apr. 25, 2012**

(30) **Foreign Application Priority Data**

Oct. 26, 2011 (EM) 001938283-0002

(51) **LOC (9) Cl.** **28-03**

(52) **U.S. Cl.** **D28/54**

(58) **Field of Classification Search** D28/44-54;
30/34.1-34.2, 34.05, 32, 41.9, 43-43.92,
30/47-52, 42-46, 53-55, 57-73, 526-541,
30/74-84, 195-223, 341, 272.1, 226-227,
30/231, 233-233.5

See application file for complete search history.

(56) **References Cited**

U.S. PATENT DOCUMENTS

D408,587	S	*	4/1999	De Visser	D28/54
D524,486	S	*	7/2006	Ng	D28/53
7,188,422	B2	*	3/2007	McCambridge et al.	30/34.1
D657,912	S	*	4/2012	Yoon	D28/54
D658,331	S	*	4/2012	Yoon	D28/54

* cited by examiner

Primary Examiner — Jennifer Rivard

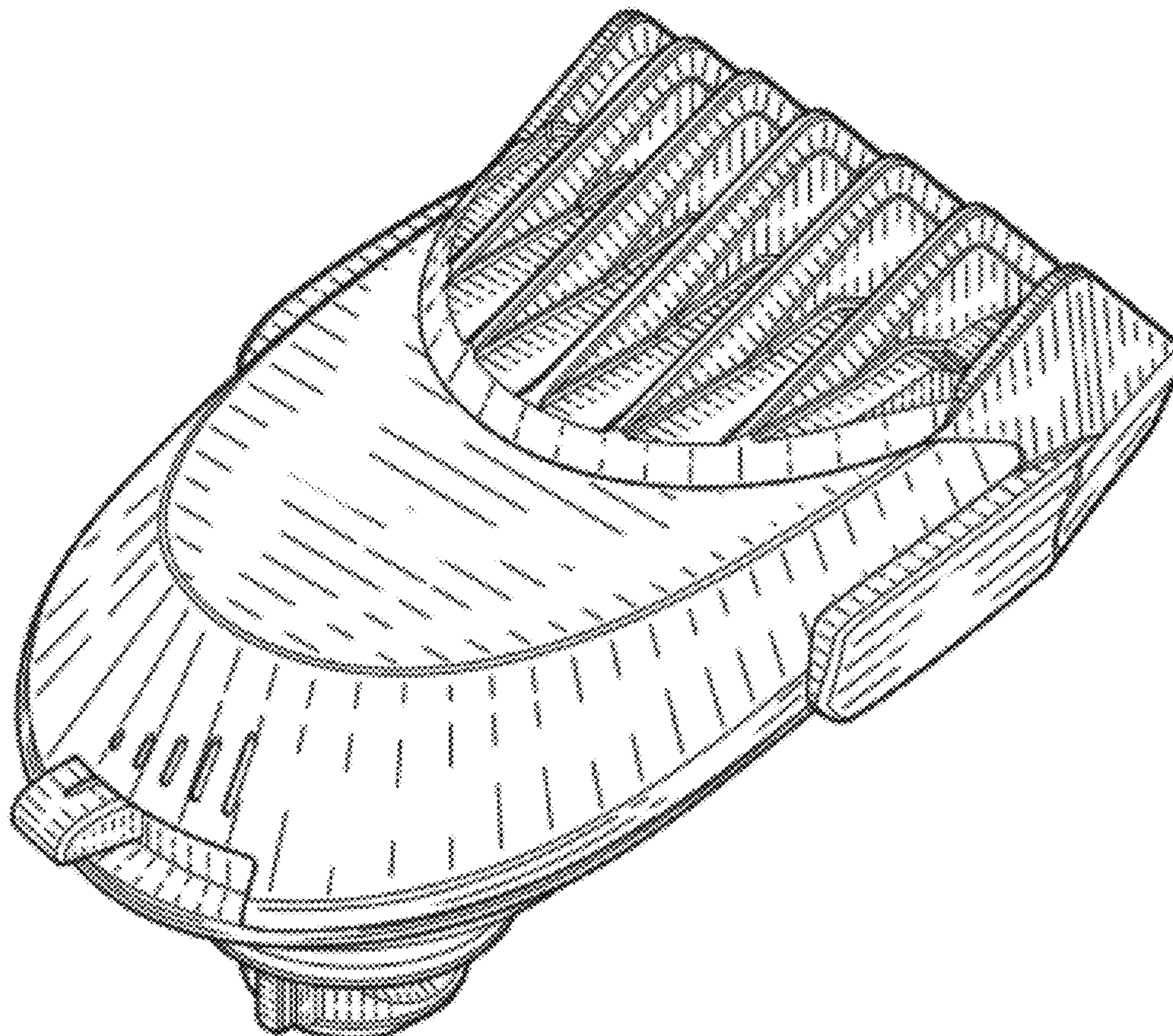
(57) **CLAIM**

The ornamental design for a styler for shaver, as shown.

DESCRIPTION

FIG. 1 is a perspective view showing my design;
FIG. 2 is a front elevational view thereof;
FIG. 3 is a rear devotional view thereof;
FIG. 4 is a tight side elevational view thereof;
FIG. 5 is a left side elevational view thereof;
FIG. 6 is a top plan view thereof; and,
FIG. 7 is a bottom plan view thereof.

1 Claim, 4 Drawing Sheets



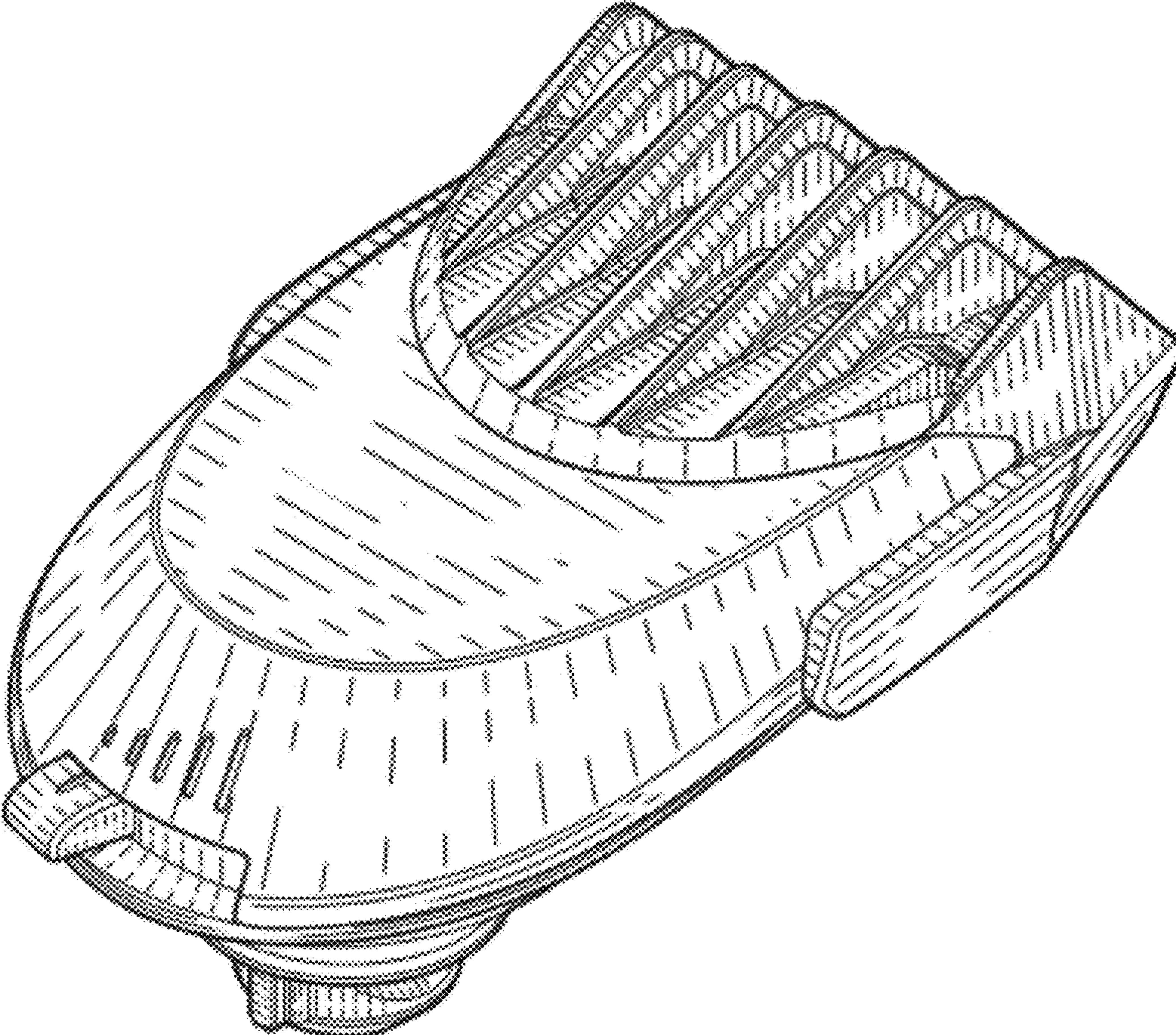


FIG. 1

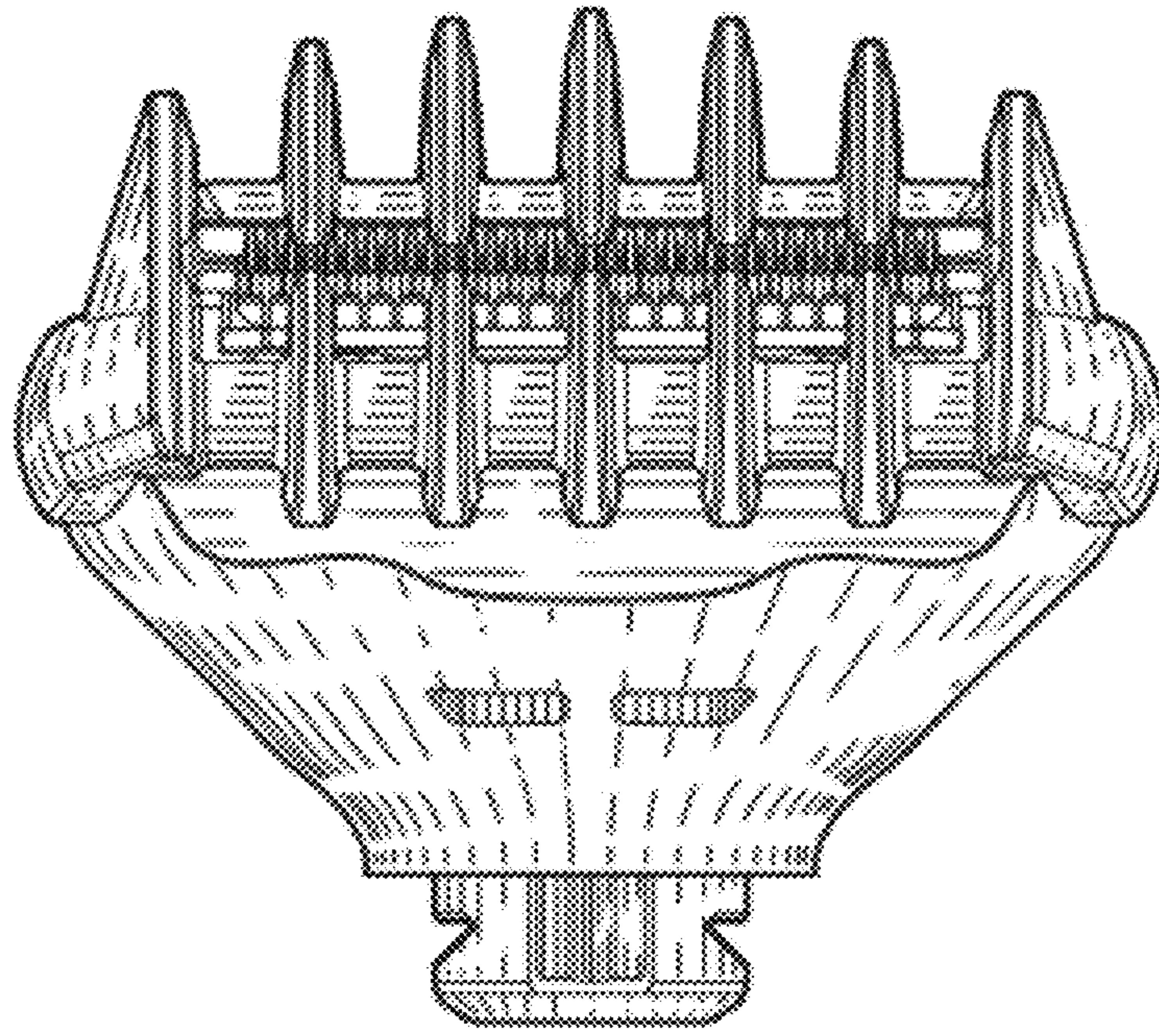


FIG. 2

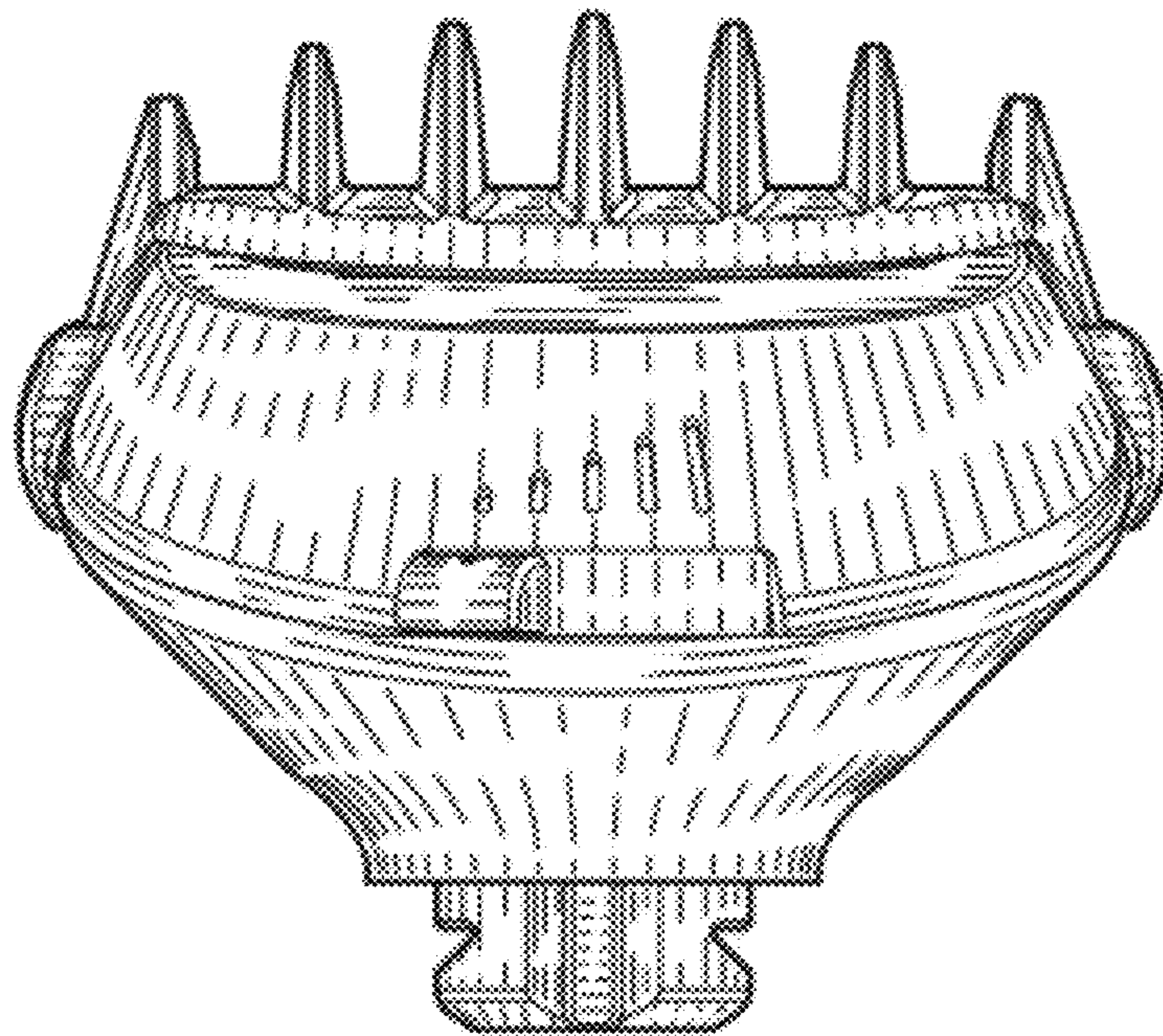


FIG. 3

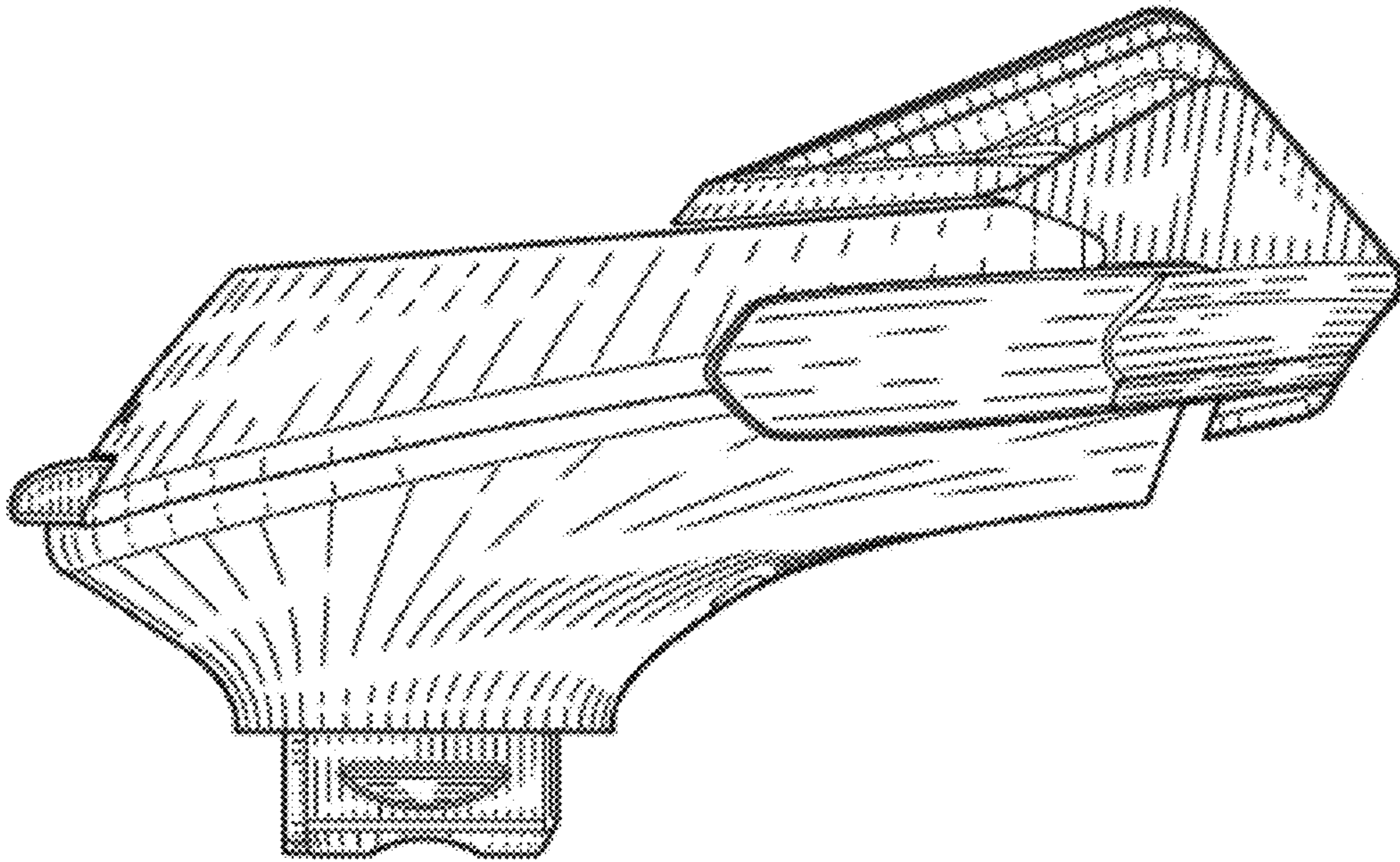


FIG. 4

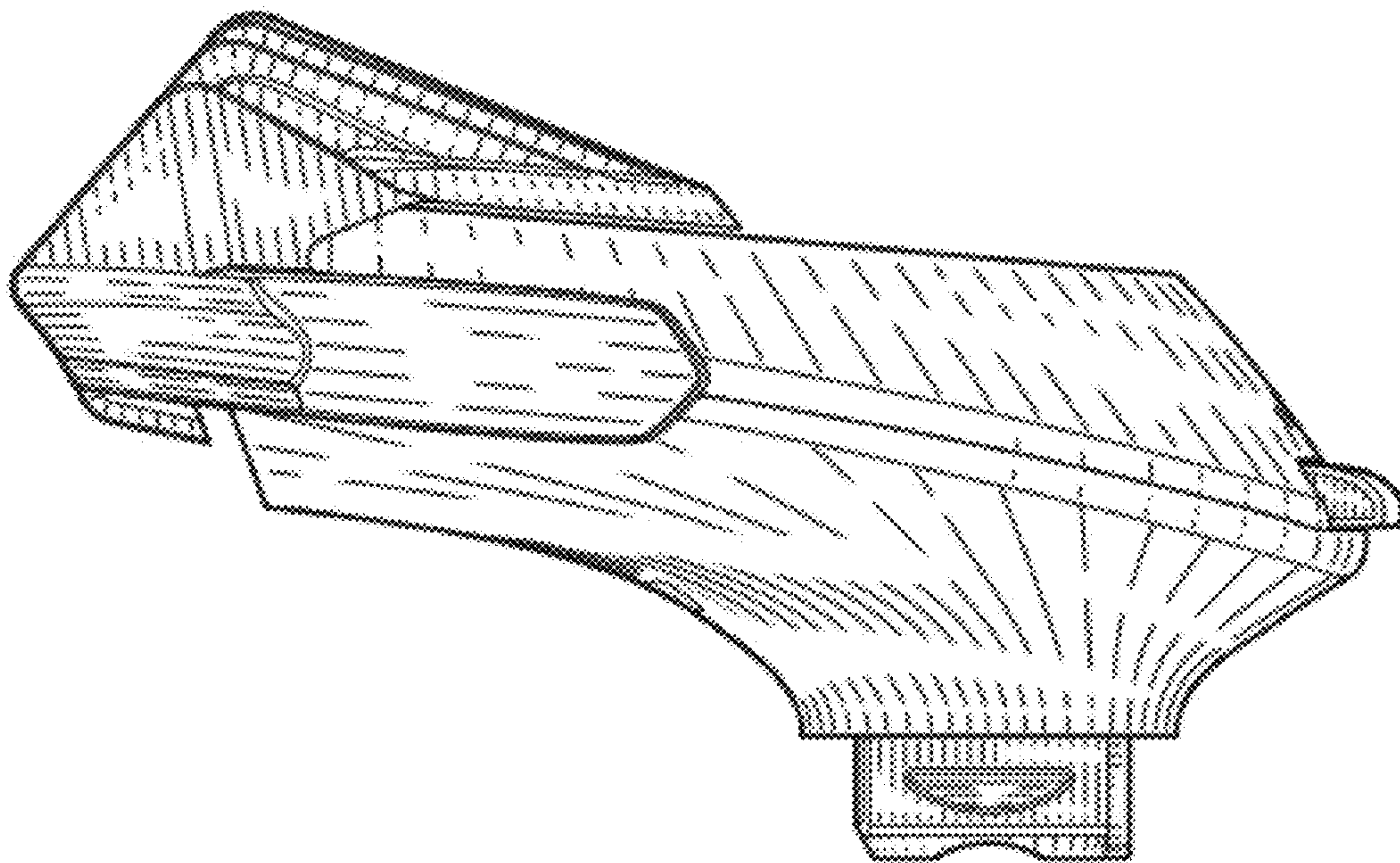


FIG. 5

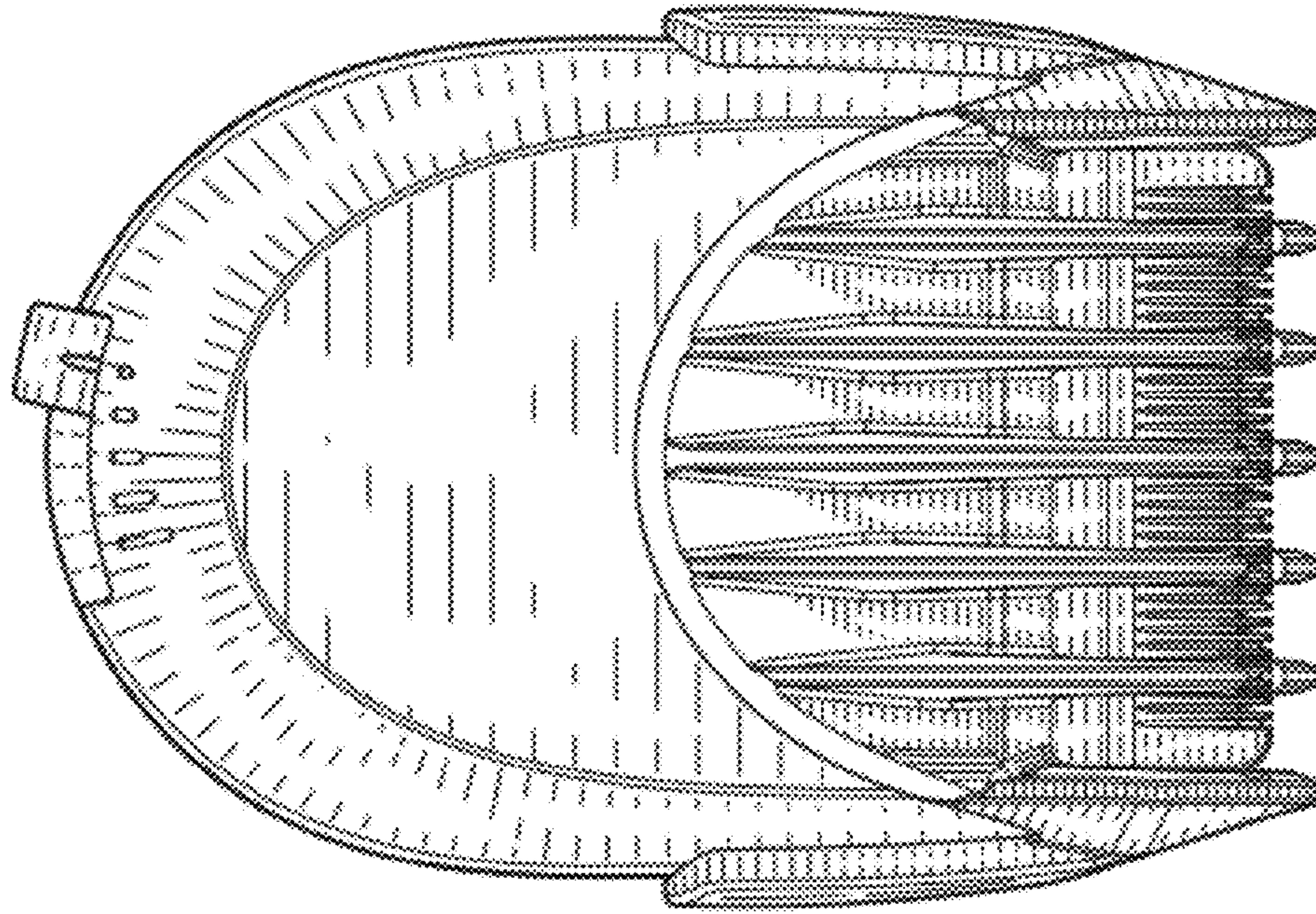


FIG. 6

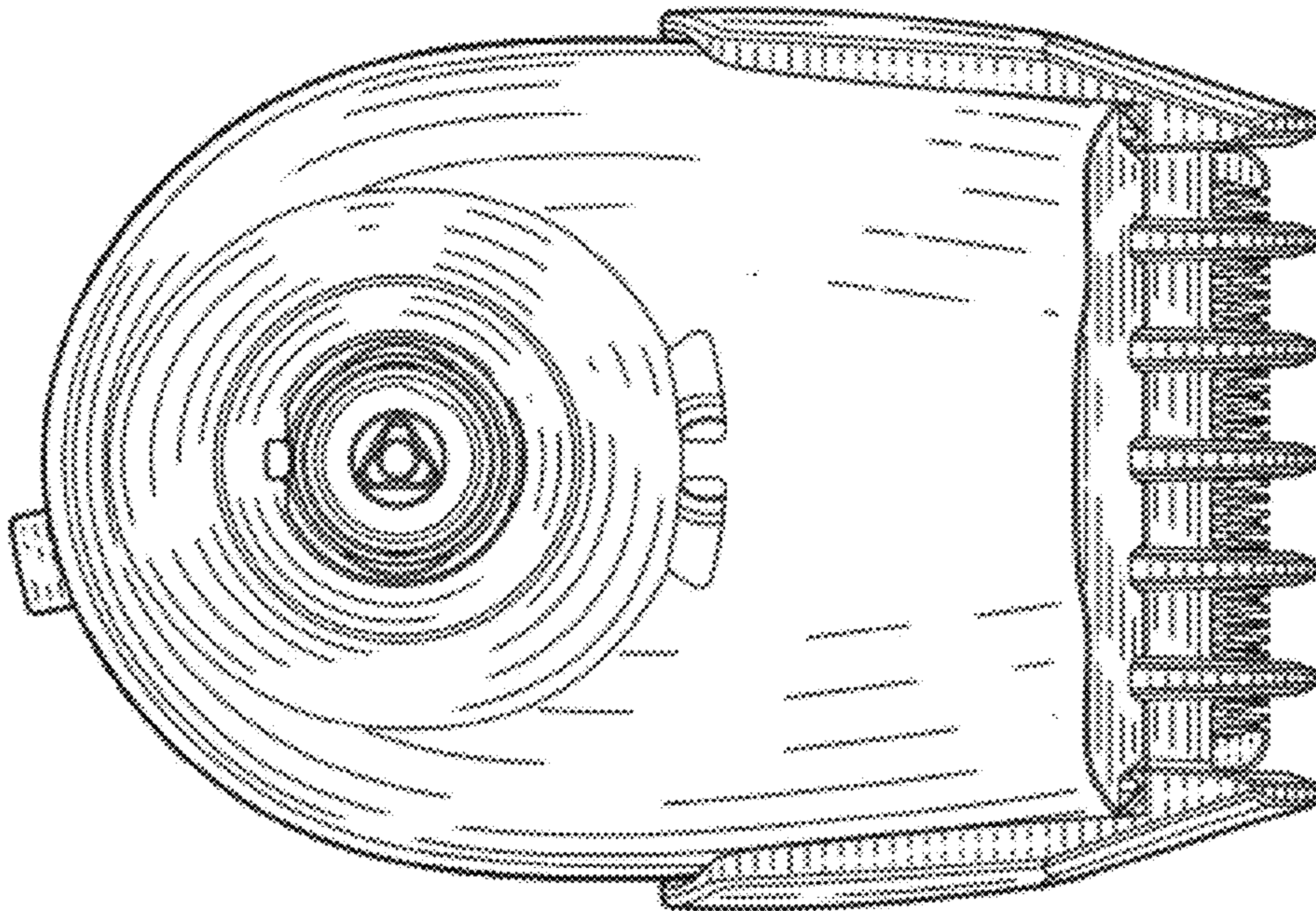


FIG. 7