

US00D675373S

(12) **United States Design Patent**
Schmitz

(10) **Patent No.:** **US D675,373 S**
(45) **Date of Patent:** **** Jan. 29, 2013**

(54) **APPARATUS FOR THE PARTIAL DYEING OF HAIR**

(76) Inventor: **Wolfgang Peter Schmitz, Cologne (DE)**

(**) Term: **14 Years**

(21) Appl. No.: **29/355,352**

(22) Filed: **Feb. 5, 2010**

(30) **Foreign Application Priority Data**

Aug. 6, 2009 (EM) 001598400-0001

(51) **LOC (9) Cl.** **28-02**

(52) **U.S. Cl.** **D28/7**

(58) **Field of Classification Search** D28/7,
D28/8, 20-22, 30-31, 76, 85, 99; 132/108,
132/202, 208, 317, 320; 401/202-207, 261-267;
D4/132-135; D24/119
See application file for complete search history.

(56) **References Cited**

U.S. PATENT DOCUMENTS

4,209,027 A * 6/1980 Morganroth 132/212
D266,537 S * 10/1982 Kahn D28/7
D266,538 S * 10/1982 Kahn D28/7
D301,768 S * 6/1989 Herndon D28/20

D309,799 S * 8/1990 Ouellette D28/7
D342,584 S * 12/1993 Anderson D28/7
D370,783 S * 6/1996 Korte D4/114
D374,741 S * 10/1996 Devereaux D28/7
D442,331 S * 5/2001 Pannozzo et al. D28/7
D485,642 S * 1/2004 Walz D28/7
D519,674 S * 4/2006 Chu et al. D28/7

FOREIGN PATENT DOCUMENTS

DE 19830517 7/1999
WO 00/02466 1/2000

* cited by examiner

Primary Examiner — Zenia Bennett

(74) *Attorney, Agent, or Firm* — Greer, Burns & Crain, Ltd.

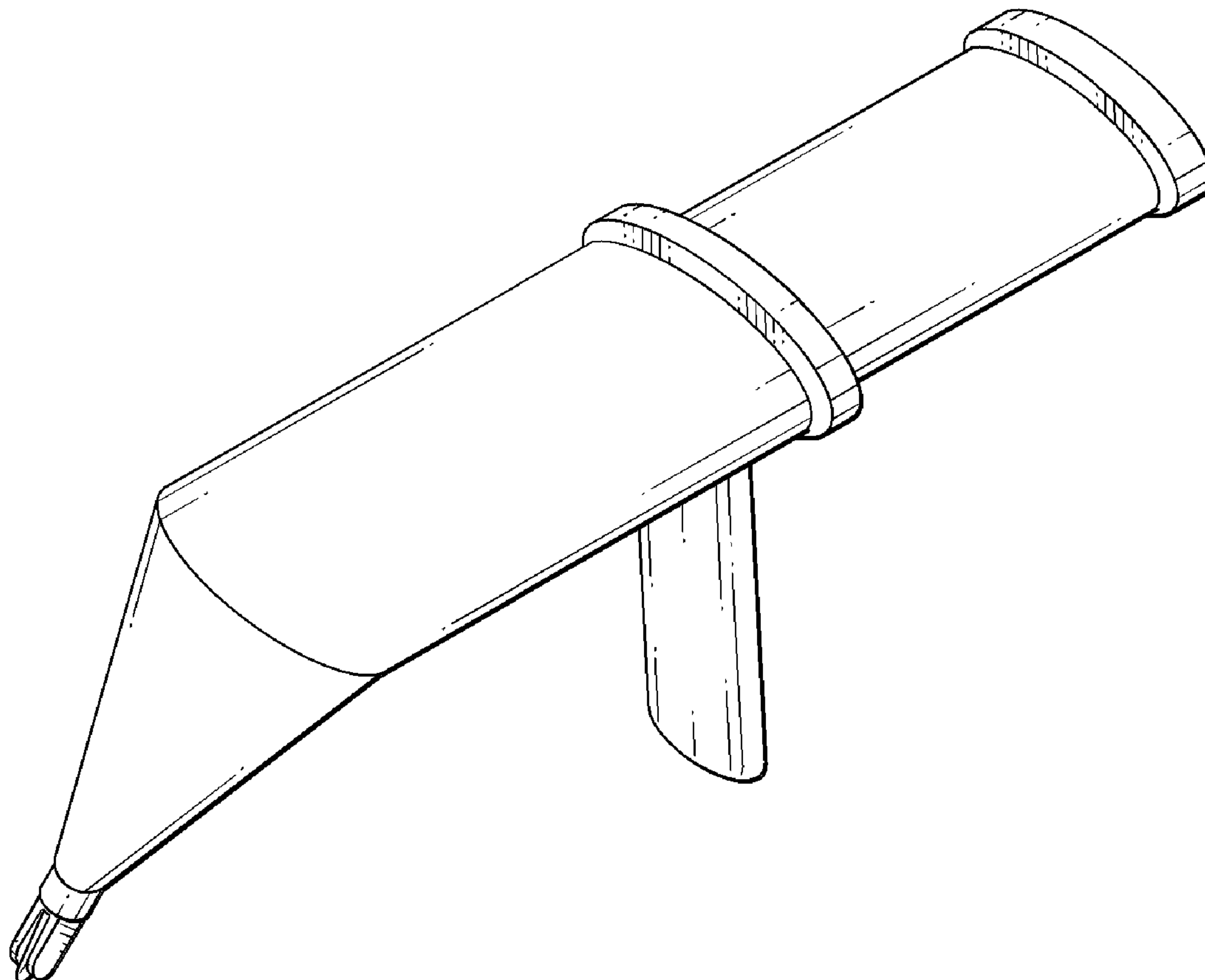
(57) **CLAIM**

The ornamental design for an apparatus for the partial dyeing of hair, as shown and described.

DESCRIPTION

FIG. 1 is a perspective view of an apparatus for the partial dyeing of hair showing my new design;
FIG. 2 is a side elevational view thereof;
FIG. 3 is an end elevational view thereof;
FIG. 4 is an opposite end elevational view thereof;
FIG. 5 is a bottom view thereof;
FIG. 6 is an opposite side elevational view thereof; and,
FIG. 7 is a top plan view thereof.

1 Claim, 7 Drawing Sheets



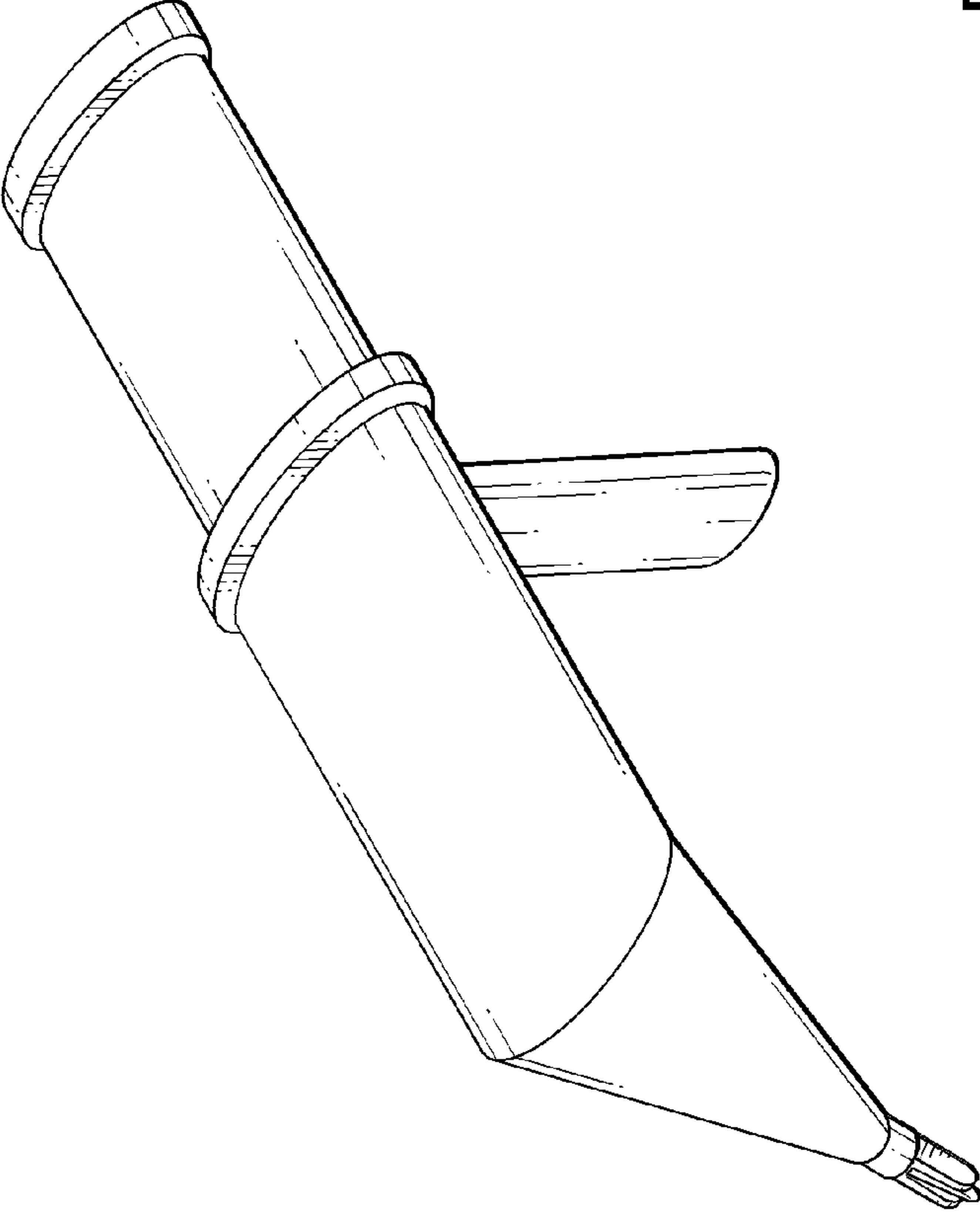


Fig. 1

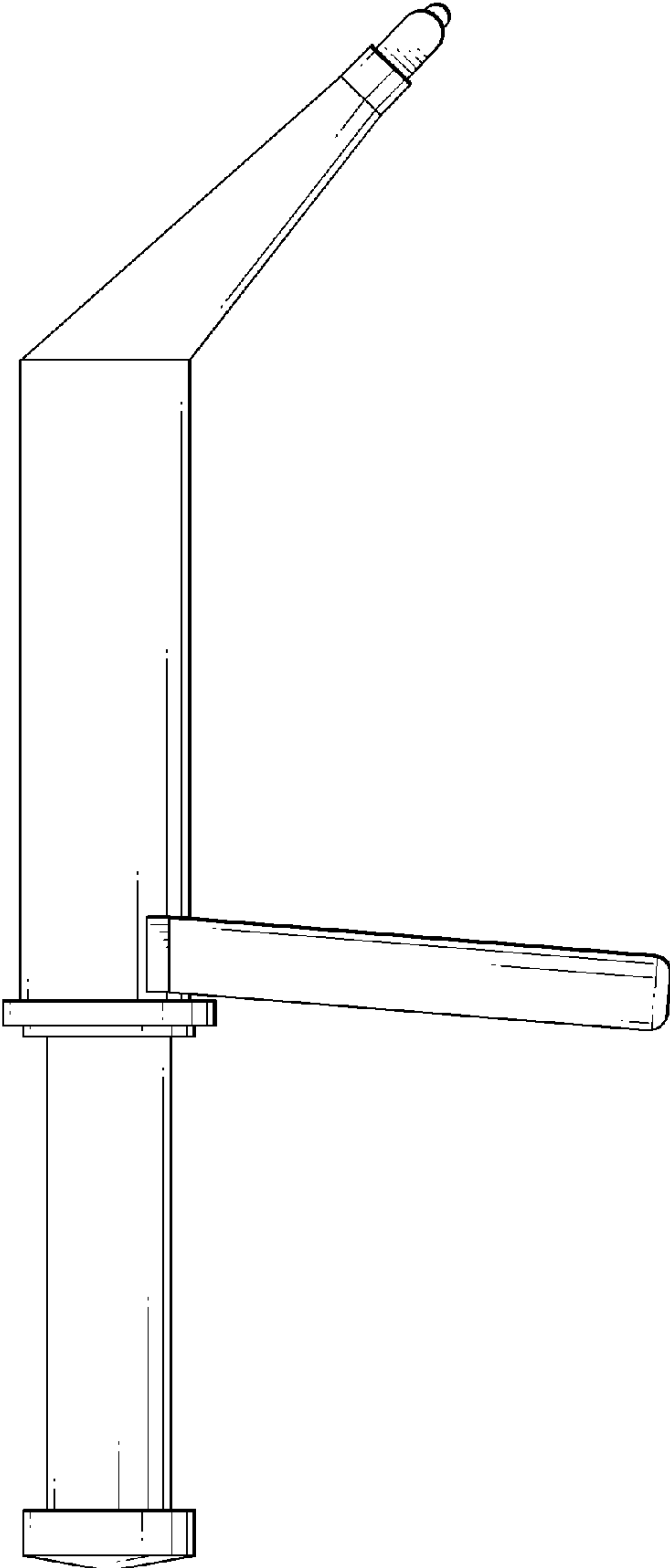


Fig. 2

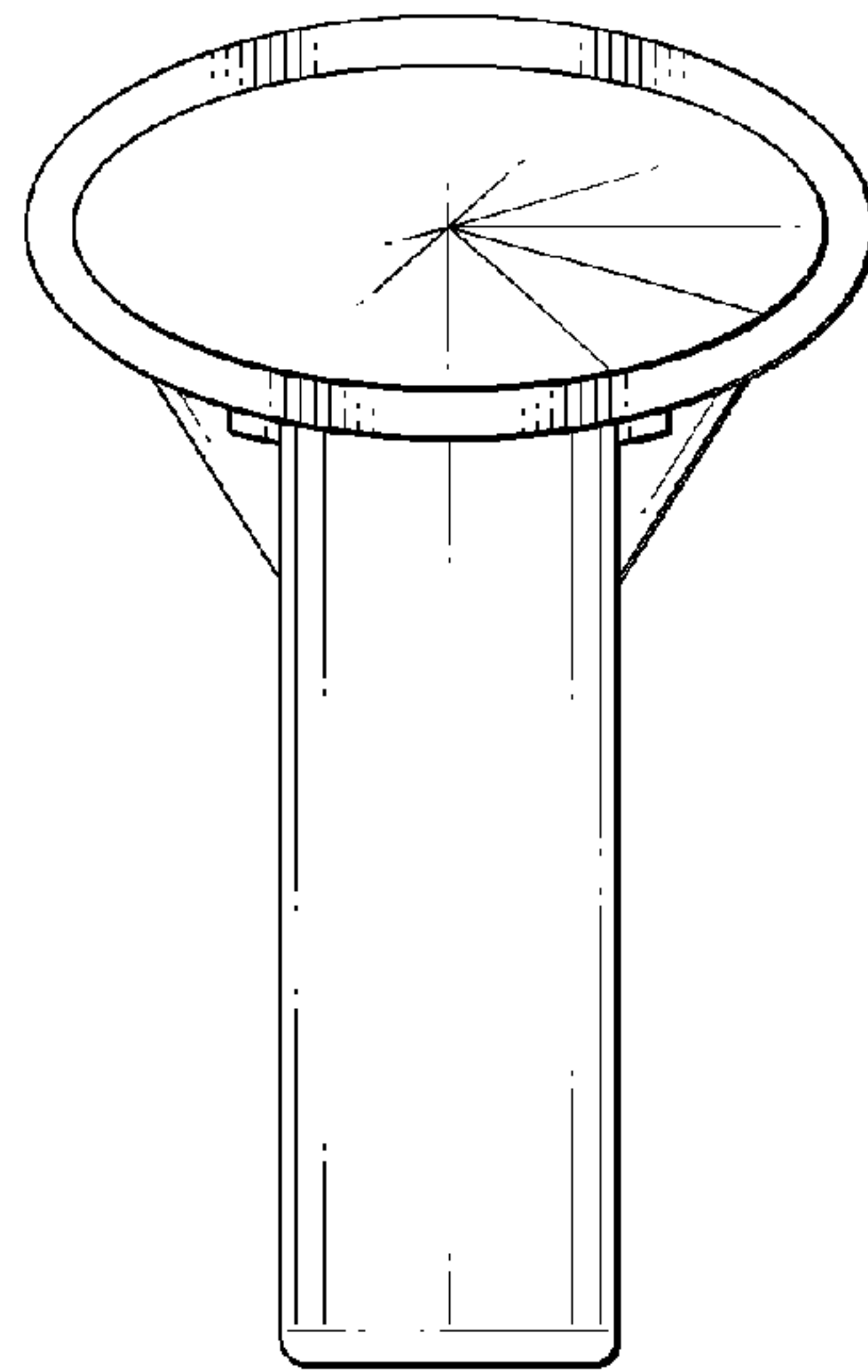


Fig. 3

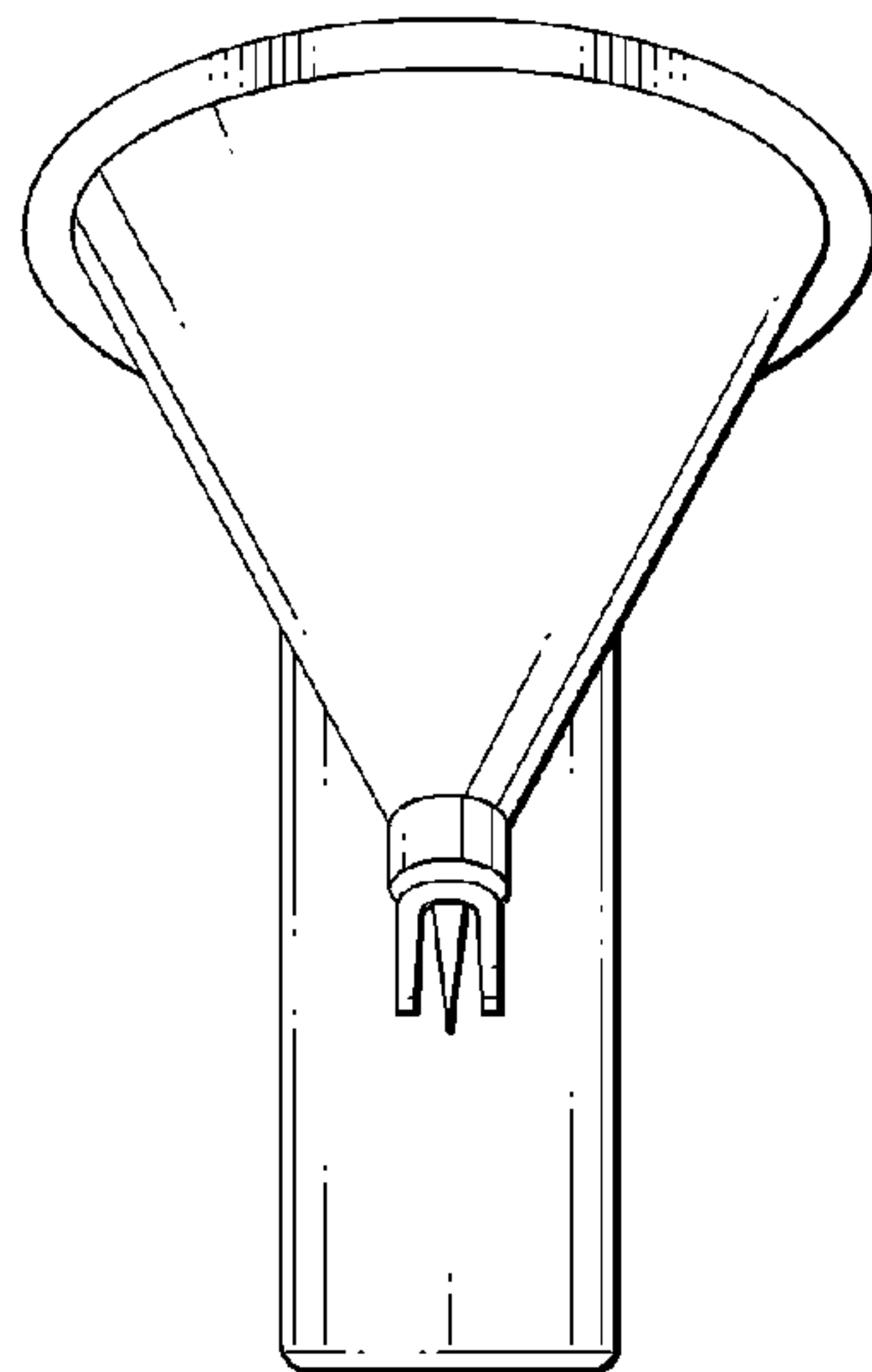


Fig. 4

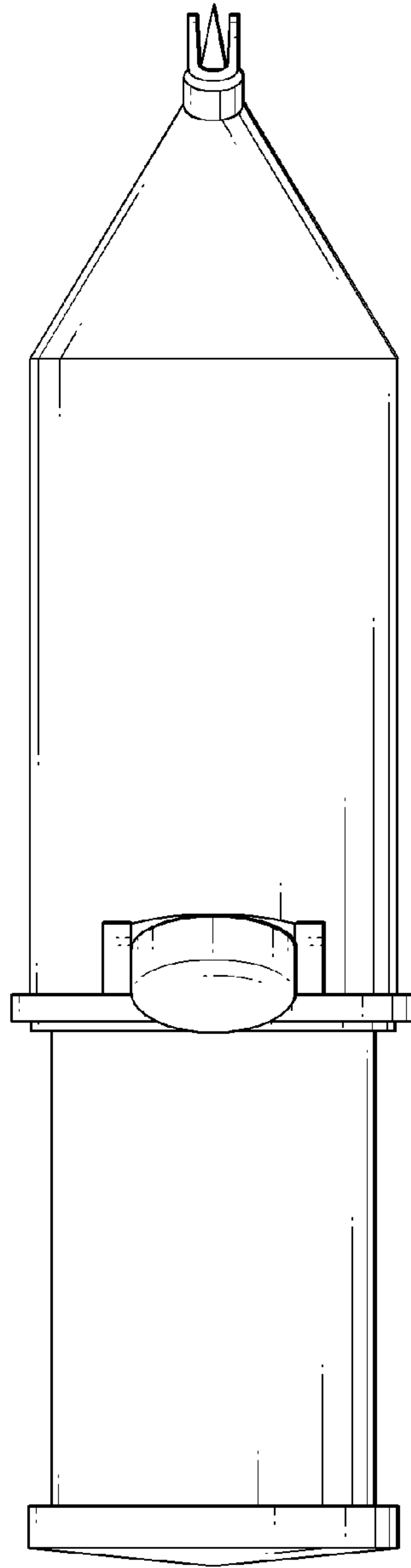


Fig. 5

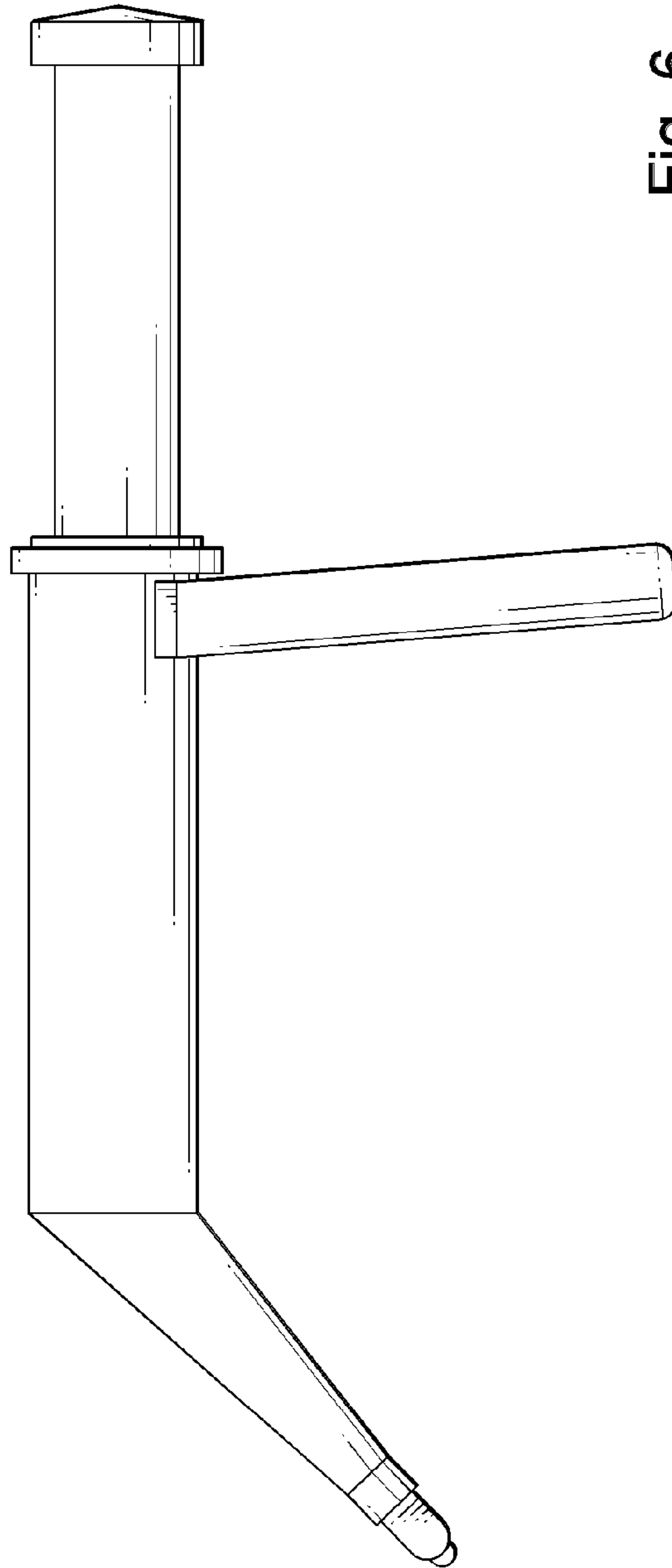


Fig. 6

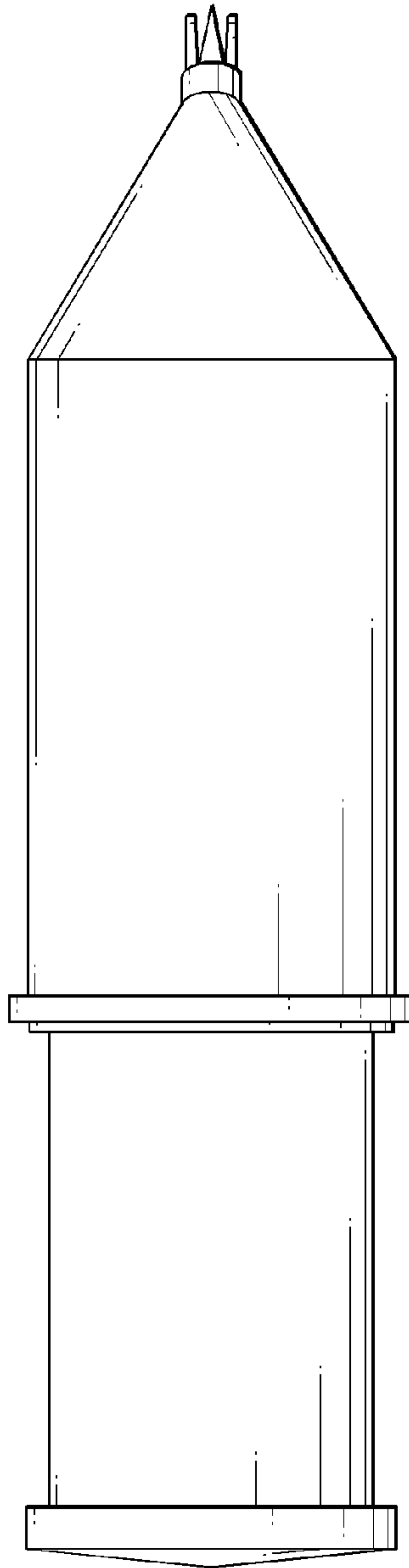


Fig. 7