



US00D675369S

(12) **United States Design Patent**  
**Michaud**

(10) **Patent No.:** **US D675,369 S**  
(45) **Date of Patent:** **\*\* Jan. 29, 2013**

(54) **REFLECTOR**

(76) Inventor: **Aloys Michaud**, Bussigny (CH)

(\*\*) Term: **14 Years**

(21) Appl. No.: **29/412,398**

(22) Filed: **Feb. 2, 2012**

(30) **Foreign Application Priority Data**

Aug. 2, 2011 (EM) ..... 001899519-0001

(51) **LOC (9) Cl.** ..... **26-99**

(52) **U.S. Cl.** ..... **D26/118**

(58) **Field of Classification Search** ..... D26/88,  
D26/91, 85, 86, 72, 74, 76, 118, 90, 134,  
D26/73, 75, 119, 120, 121, 122, 113, 71,  
D26/84, 128, 129, 2, 125, 78, 77, 138, 26,  
D26/89, 124, 130, 9, 10, 11, 24, 25, 63, 64,  
D26/65, 69, 127; 362/311.13, 249.01-249.12,  
362/373, 362, 326, 247, 342, 220, 147, 148,  
362/282, 339, 620, 223, 376, 219; D23/412,  
D23/385, 388; 349/64, 62, 63, 65; D16/101;  
D13/179, 180

See application file for complete search history.

(56) **References Cited**

**U.S. PATENT DOCUMENTS**

3,420,995 A \* 1/1969 Dunckel ..... 362/366  
4,001,985 A \* 1/1977 Nikolaus et al. .... 52/28  
D300,877 S \* 4/1989 Cyr ..... D26/134  
D365,159 S \* 12/1995 Tinen ..... D25/138  
D518,221 S \* 3/2006 Randazzo et al. .... D26/68

D524,475 S \* 7/2006 Randazzo et al. .... D26/71  
D569,024 S \* 5/2008 Redfern ..... D26/74  
D614,801 S \* 4/2010 Collins et al. .... D26/118  
D628,335 S \* 11/2010 Hyland ..... D26/74  
D637,752 S \* 5/2011 Mekhtarian ..... D26/72  
D647,235 S \* 10/2011 Nankil ..... D26/67  
2008/0278950 A1 \* 11/2008 Pickard et al. .... 362/294

\* cited by examiner

*Primary Examiner* — Kevin Rudzinski

(74) *Attorney, Agent, or Firm* — Edell, Shapiro & Finnan, LLC

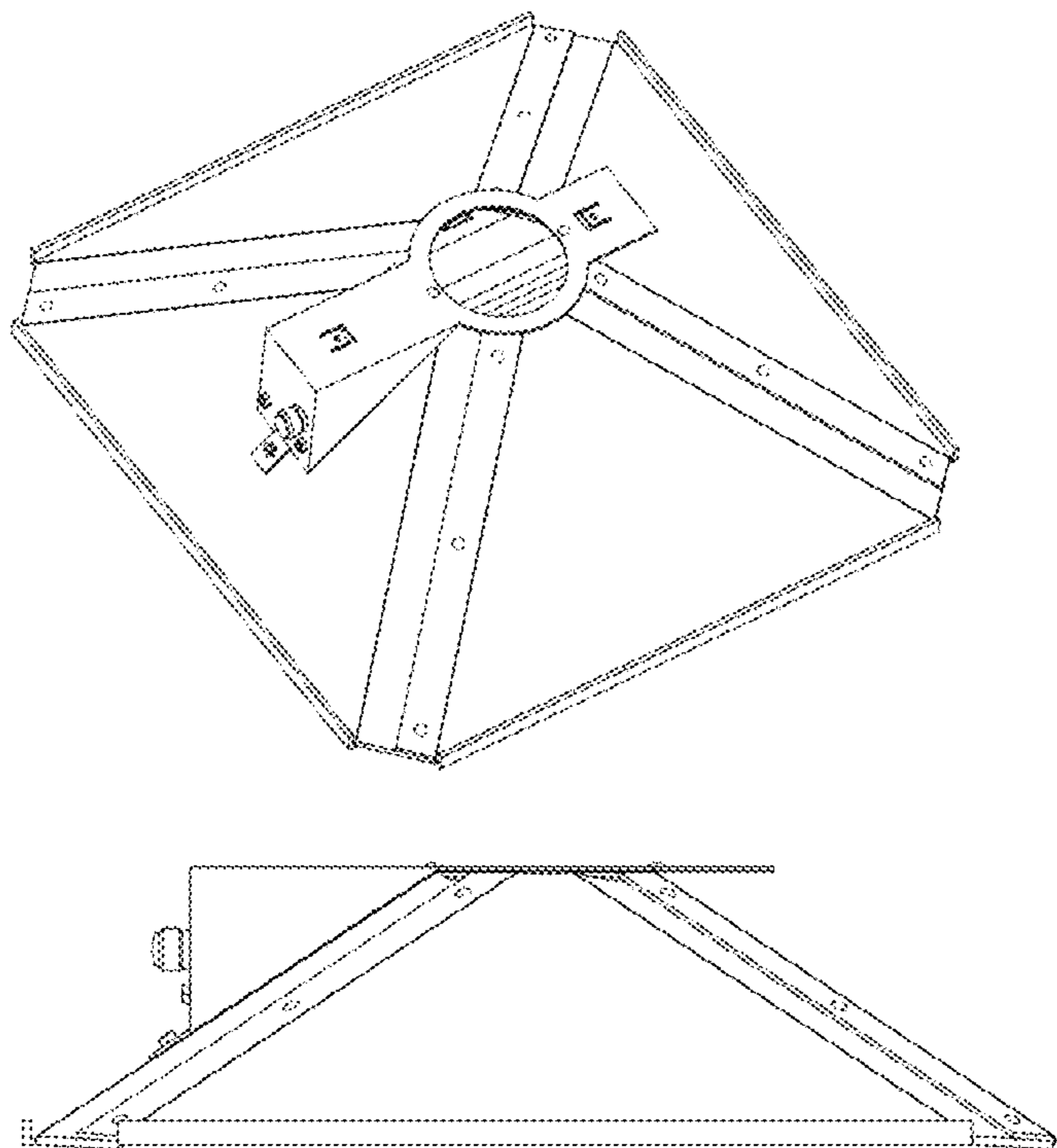
(57) **CLAIM**

The ornamental design for a reflector, as shown and described.

**DESCRIPTION**

FIG. 1 is a rear, left perspective view from below of a reflector showing my new design;  
FIG. 2 is a rear elevation view of the reflector of FIG. 1;  
FIG. 3 is a front elevation view of the reflector of FIG. 1;  
FIG. 4 is a left side elevation view of the reflector of FIG. 1;  
FIG. 5 is a right side elevation view of the reflector of FIG. 1;  
FIG. 6 is a bottom plan view of the reflector of FIG. 1;  
FIG. 7 is a top plan view of the reflector of FIG. 1;  
FIG. 8 is a front, left perspective view from above of the reflector of FIG. 1; and,  
FIG. 9 is a front, right perspective view from above of the reflector of FIG. 1.  
The broken lines shown in the drawings illustrating portions of the reflector form no part of the claimed design.

**1 Claim, 9 Drawing Sheets**



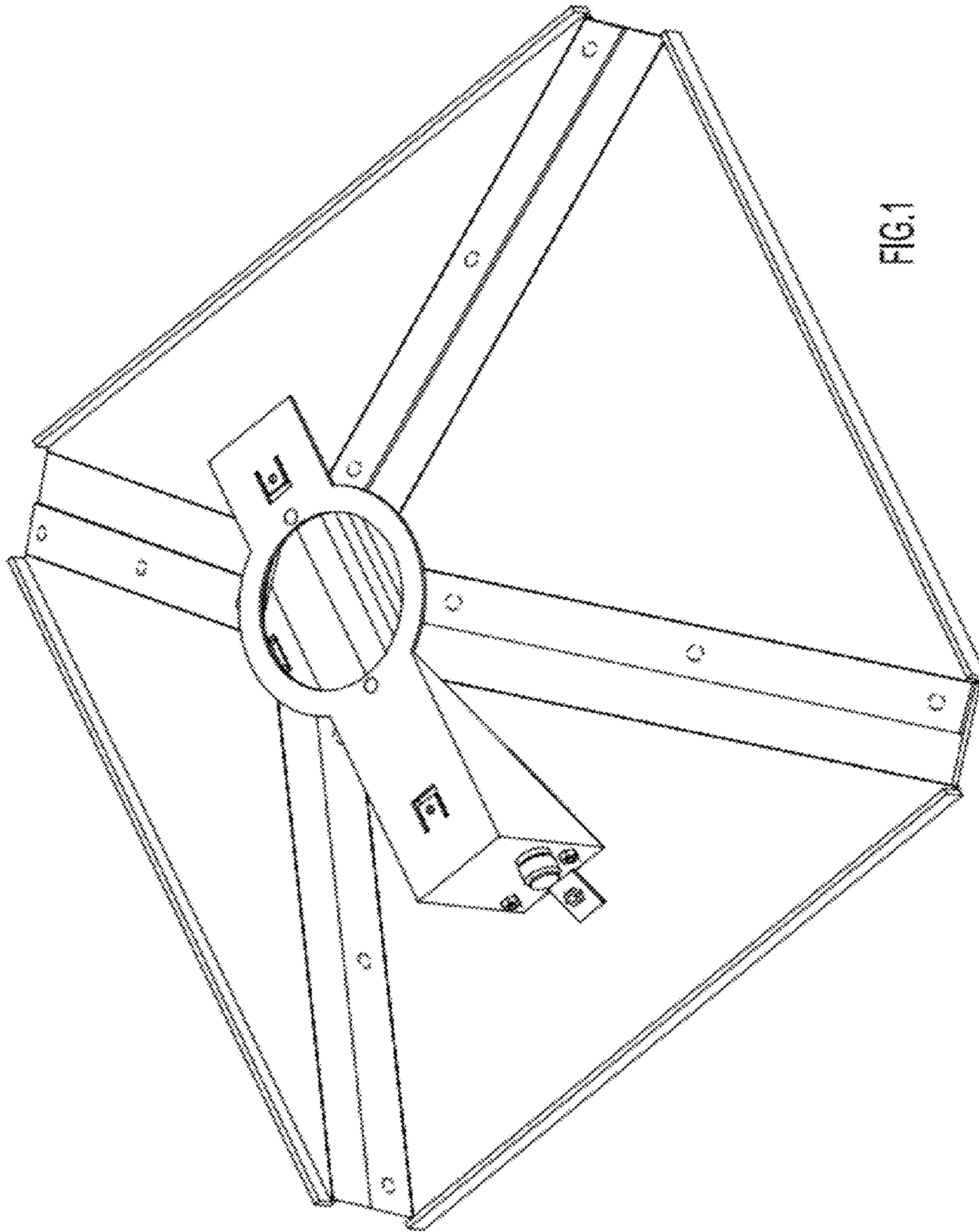


FIG. 1

FIG. 2

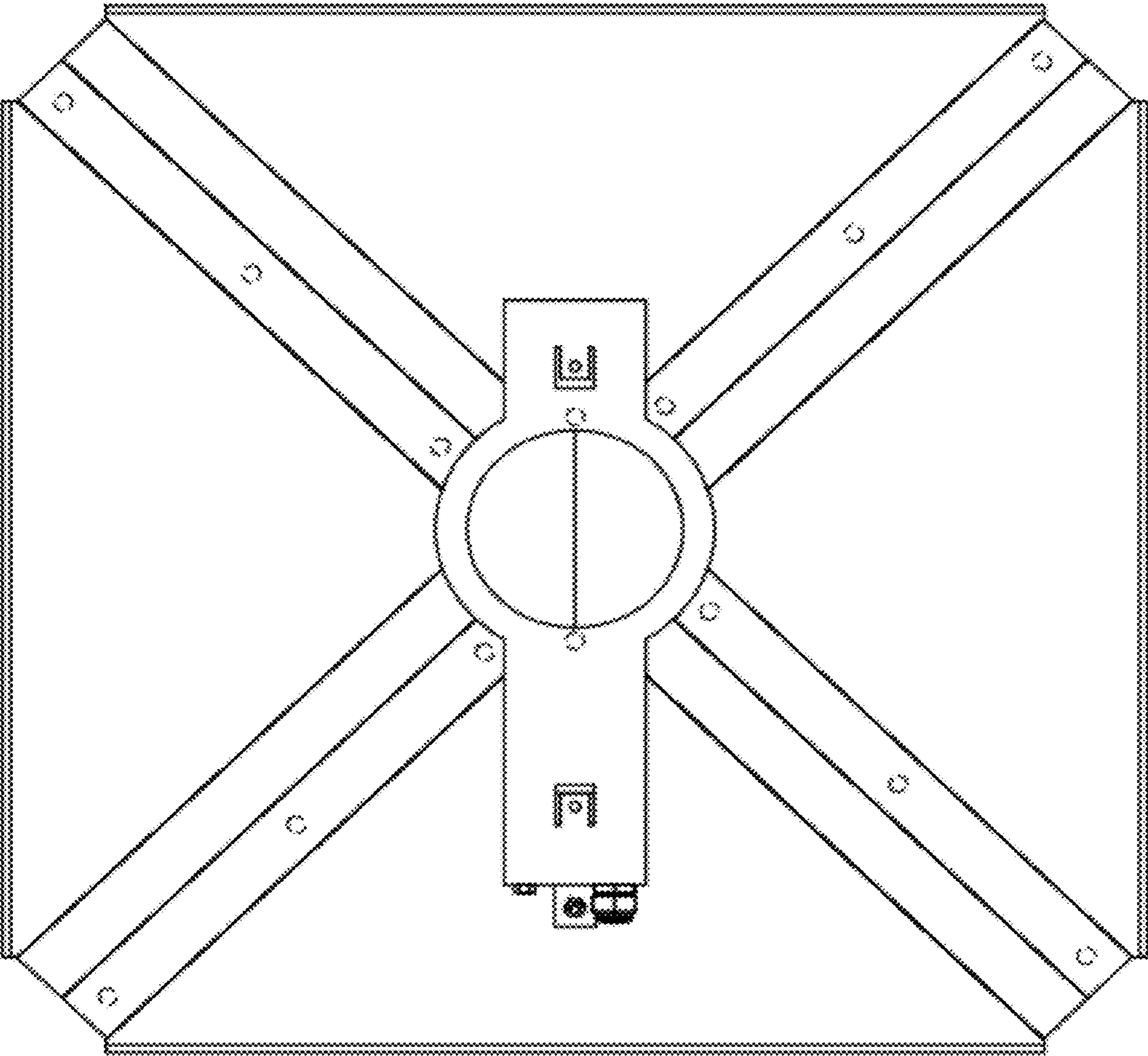
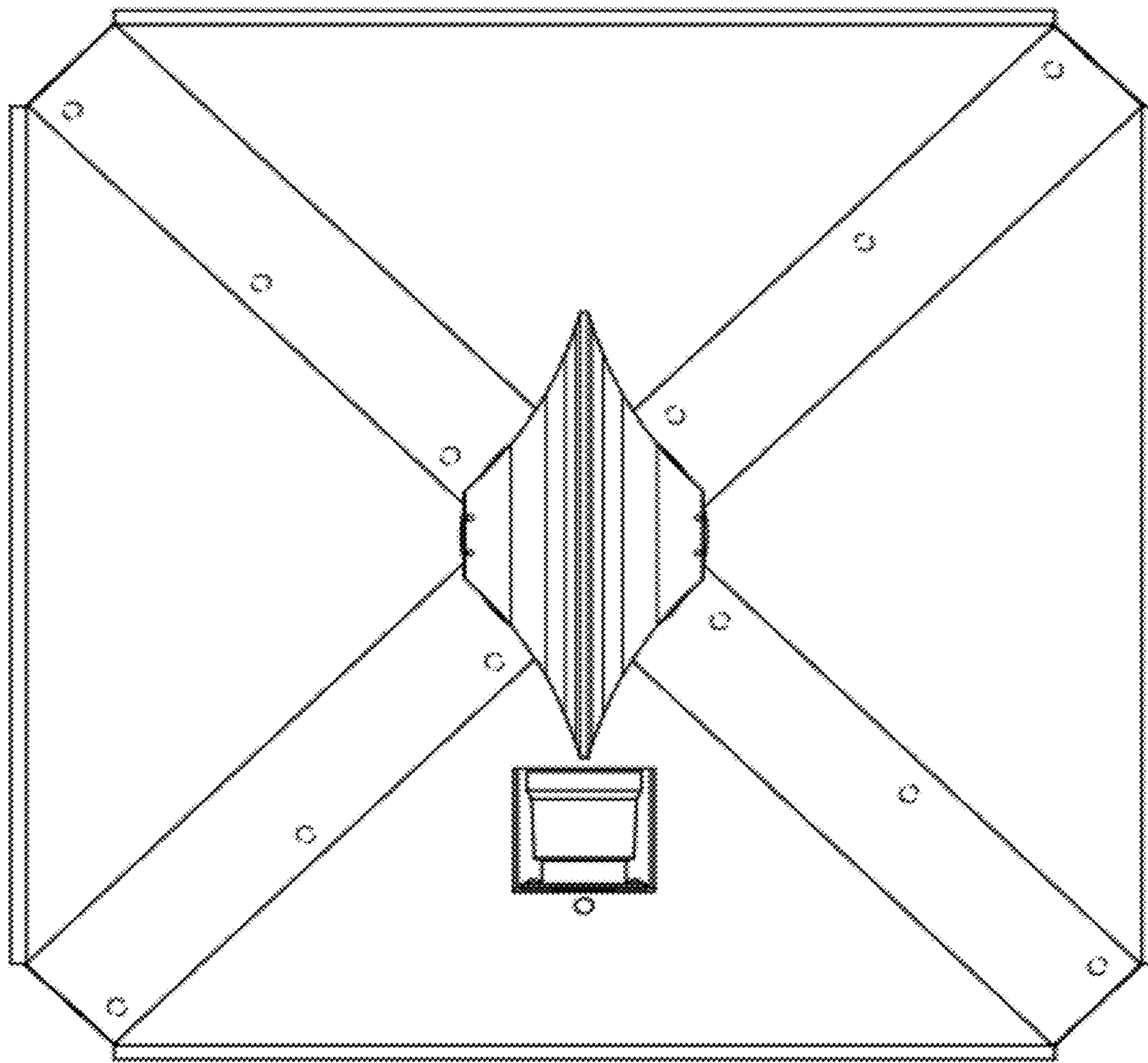


FIG. 3



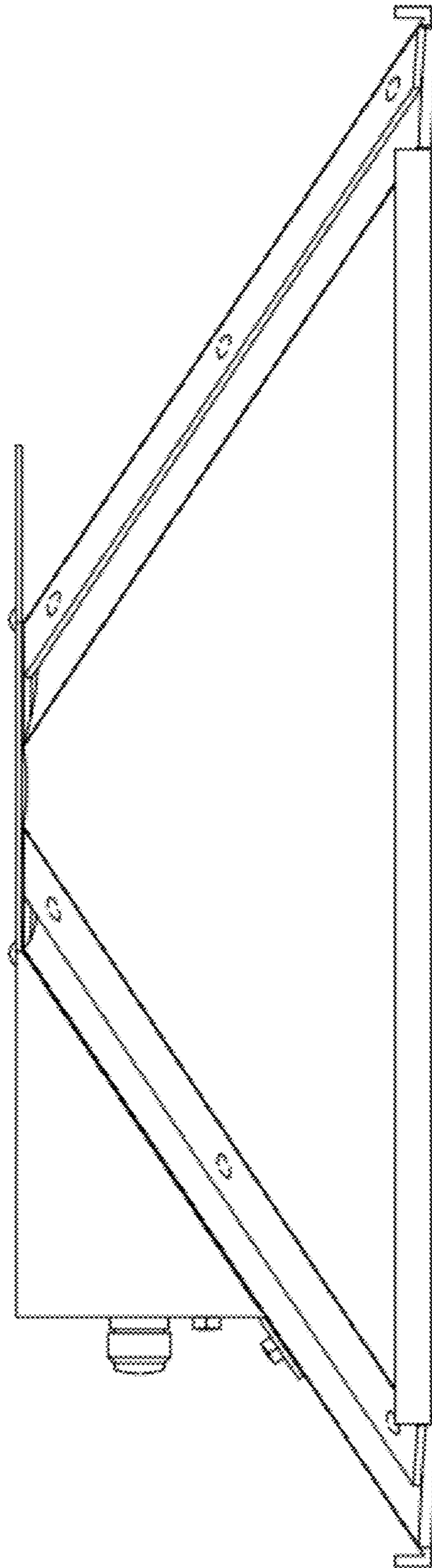


FIG.4

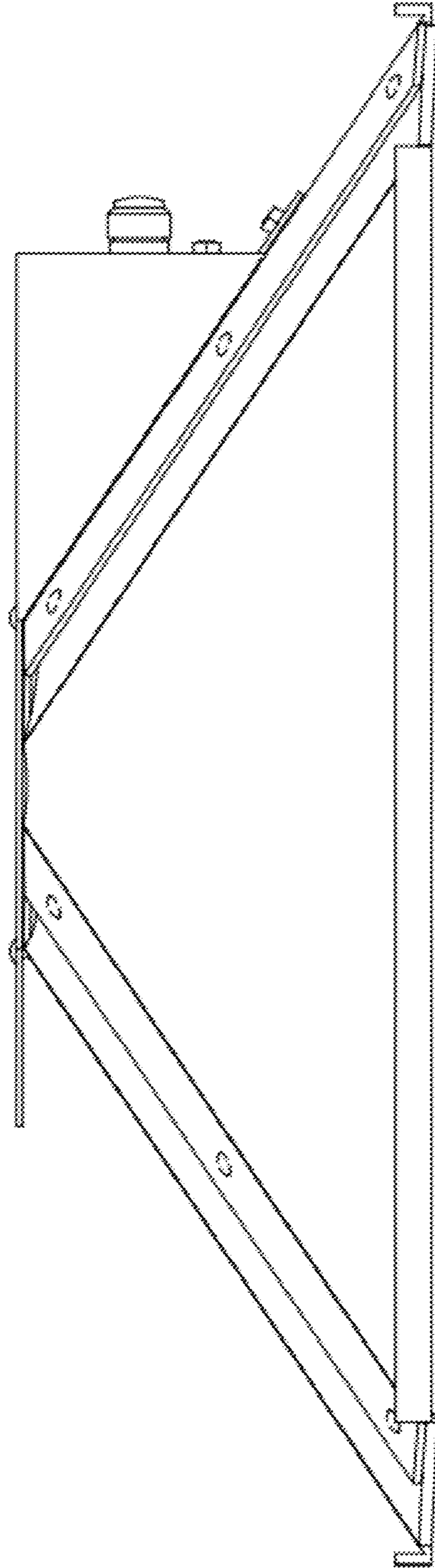


FIG.5

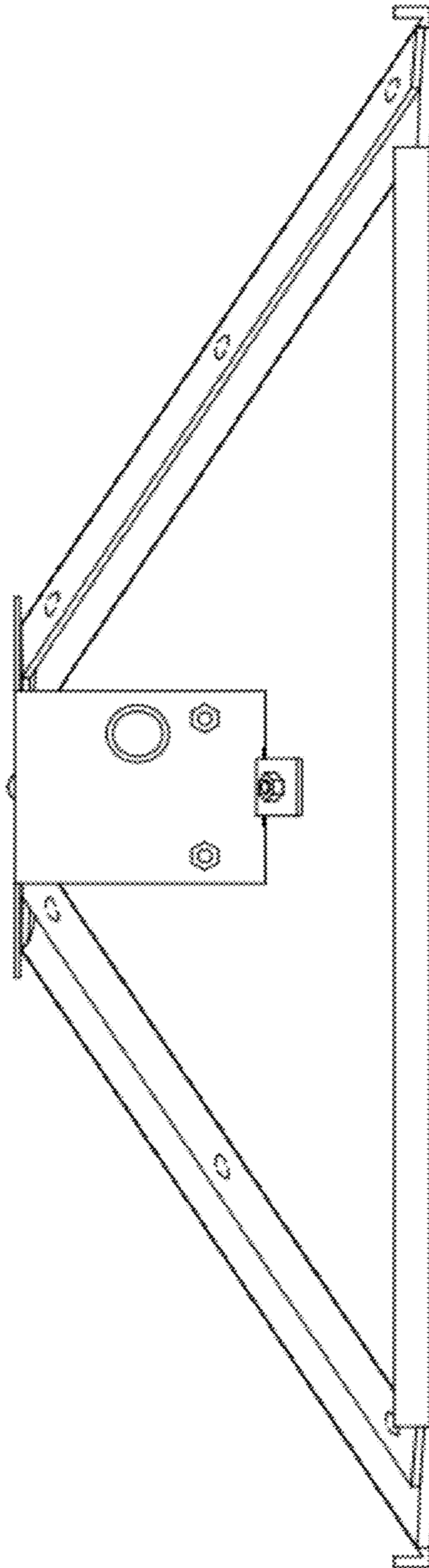


FIG.6

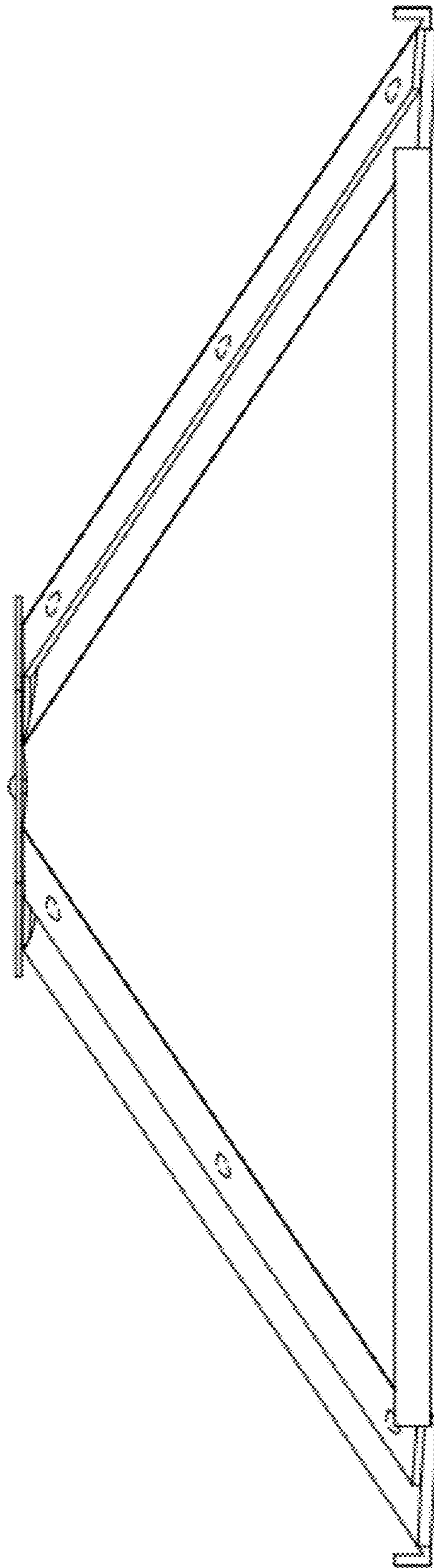
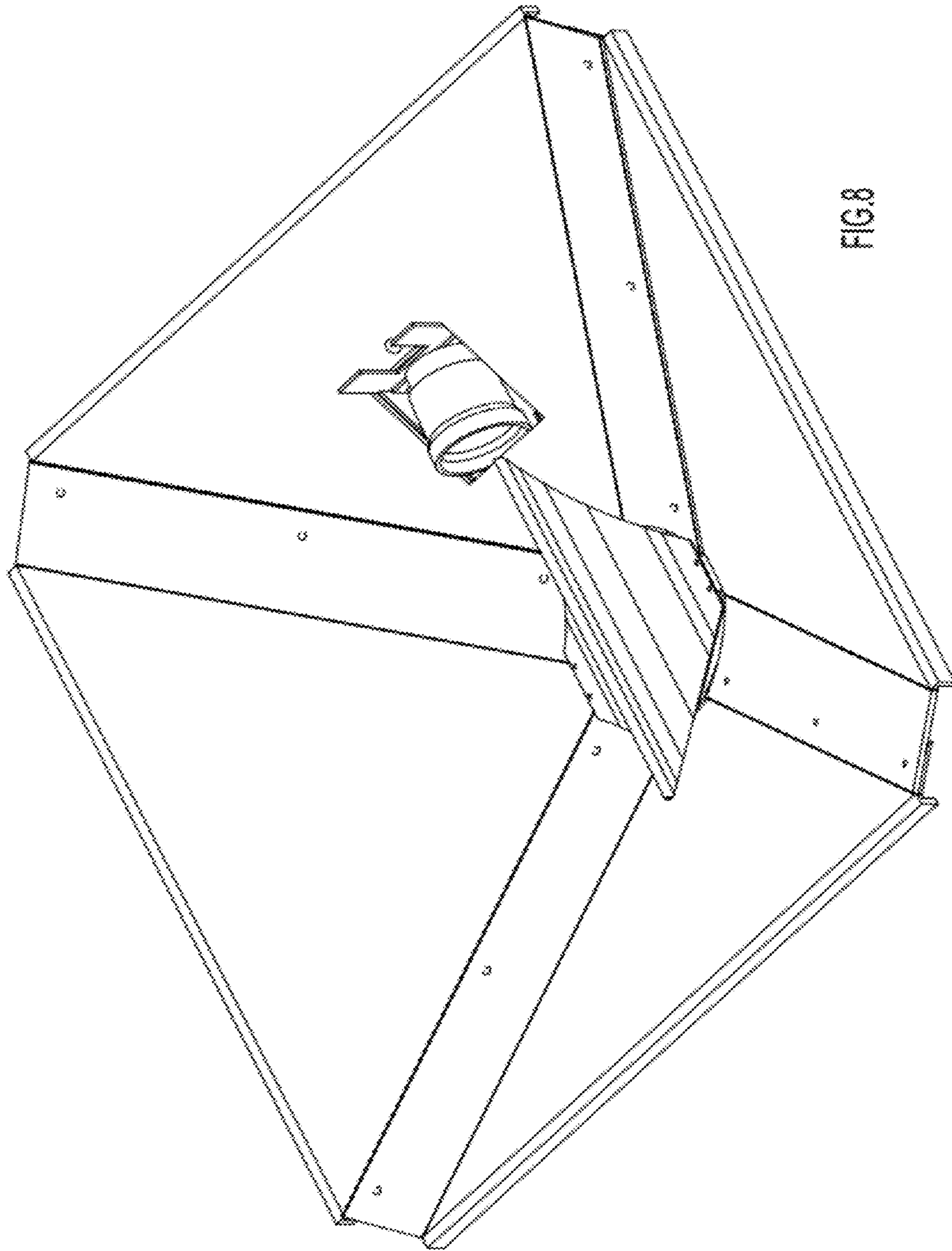


FIG.7





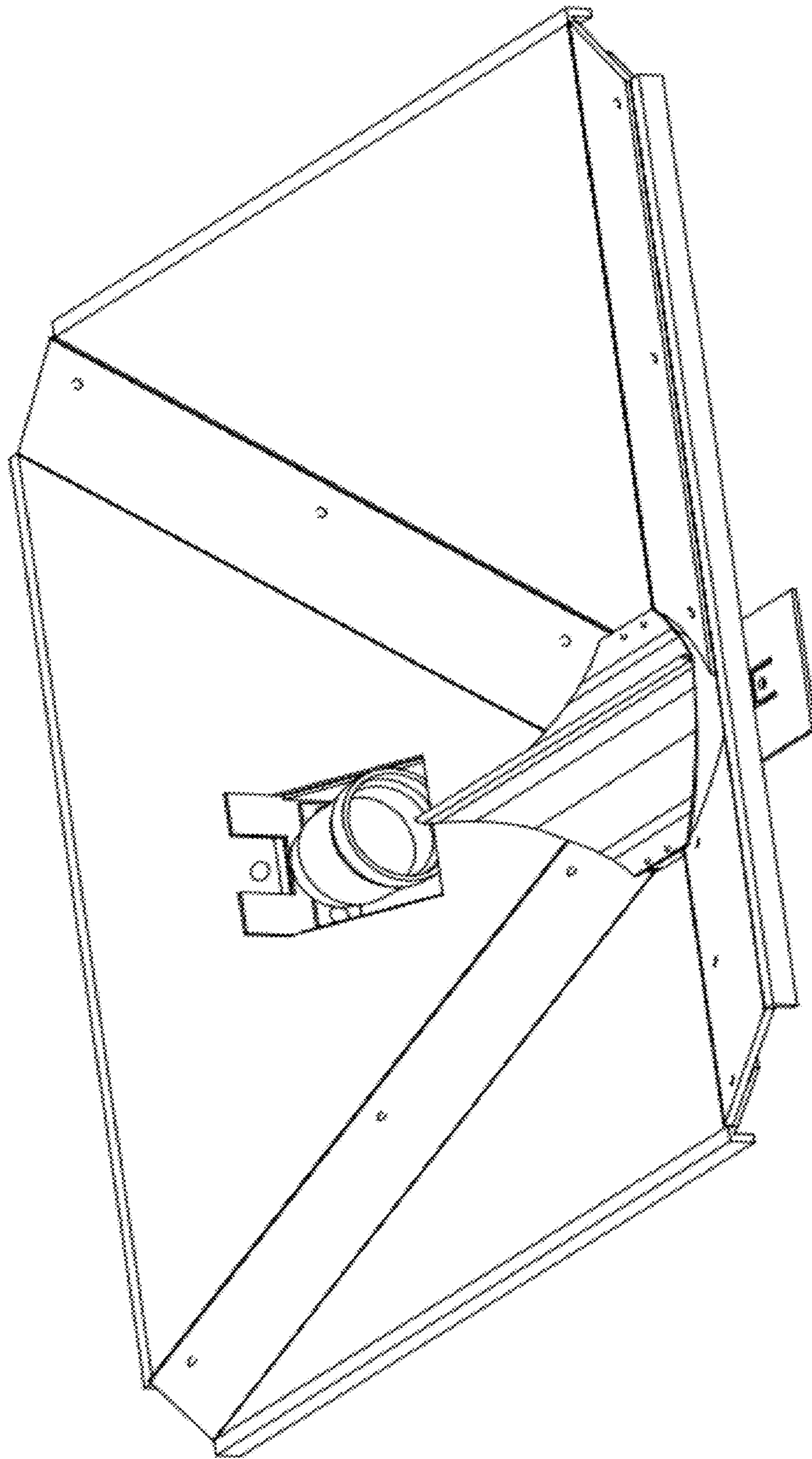


FIG. 9