

US00D675365S

(12) **United States Design Patent**
Beghelli

(10) **Patent No.:** **US D675,365 S**

(45) **Date of Patent:** **** Jan. 29, 2013**

(54) **LIGHTING APPARATUS**

(75) Inventor: **Gian Pietro Beghelli**, Monteveglio (IT)

(73) Assignee: **Beghelli S.p.A.**, Monteveglio (Bologna)
(IT)

(**) Term: **14 Years**

(21) Appl. No.: **29/376,912**

(22) Filed: **Oct. 13, 2010**

(30) **Foreign Application Priority Data**

Apr. 14, 2010 (EM) 001695263-0001

(51) **LOC (9) Cl.** **26-03**

(52) **U.S. Cl.** **D26/78**

(58) **Field of Classification Search** D26/75-85,
D26/88, 89, 72, 25, 3, 113, 118, 128, 141,
D26/142, 51; 362/555, 14, 148, 150, 217.01,
362/217.05, 217.06, 217.07, 217.08, 217.09,
362/217.1, 217.12, 217.13, 260, 296.01,
362/404, 101

See application file for complete search history.

(56) **References Cited**

U.S. PATENT DOCUMENTS

D123,768 S * 12/1940 Scribner D26/78
D306,773 S * 3/1990 Roulstone D26/78
D378,860 S * 4/1997 Galletly D26/77
D465,869 S * 11/2002 Bodell D26/78
D485,635 S * 1/2004 Schuetz et al. D26/76
D487,598 S * 3/2004 Schuetz et al. D26/76

D520,173 S * 5/2006 Plunk D26/78
7,175,312 B2 * 2/2007 Fowler, Jr. 362/260
D544,983 S * 6/2007 Hargreaves D26/76
D573,744 S * 7/2008 Engel D26/76
D592,786 S * 5/2009 Bisberg et al. D26/76
2005/0041419 A1 * 2/2005 Kazi et al. 362/219

* cited by examiner

Primary Examiner — Angela J Lee

(74) *Attorney, Agent, or Firm* — Hedman & Costigan, P.C.;
Kathleen A. Costigan

(57) **CLAIM**

I claim the ornamental design for a lighting apparatus, as shown and described.

DESCRIPTION

FIG. 1 is a perspective view of a lighting apparatus according to the present invention;

FIG. 2 is a top view of the lighting apparatus according to the present invention;

FIG. 3 is a bottom view of the lighting apparatus according to the present invention;

FIG. 4 is a left side view of the lighting apparatus according to the present invention;

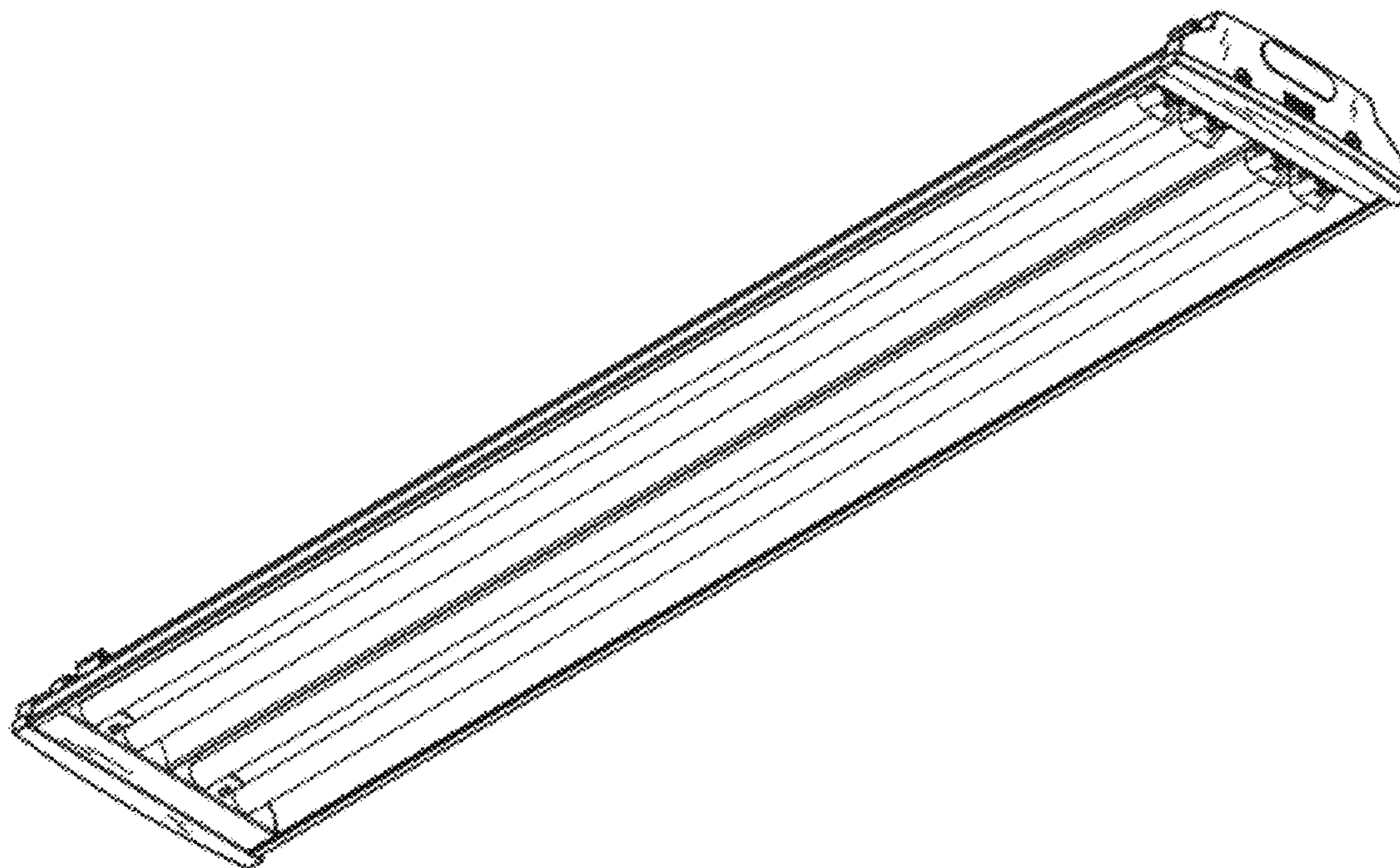
FIG. 5 is a right side view of the lighting apparatus according to the present invention;

FIG. 6 is a front view of the lighting apparatus according to the present invention; and,

FIG. 7 is a back view of the lighting apparatus according to the present invention.

The portions of the lighting apparatus shown in broken lines from no part of the claimed design.

1 Claim, 6 Drawing Sheets



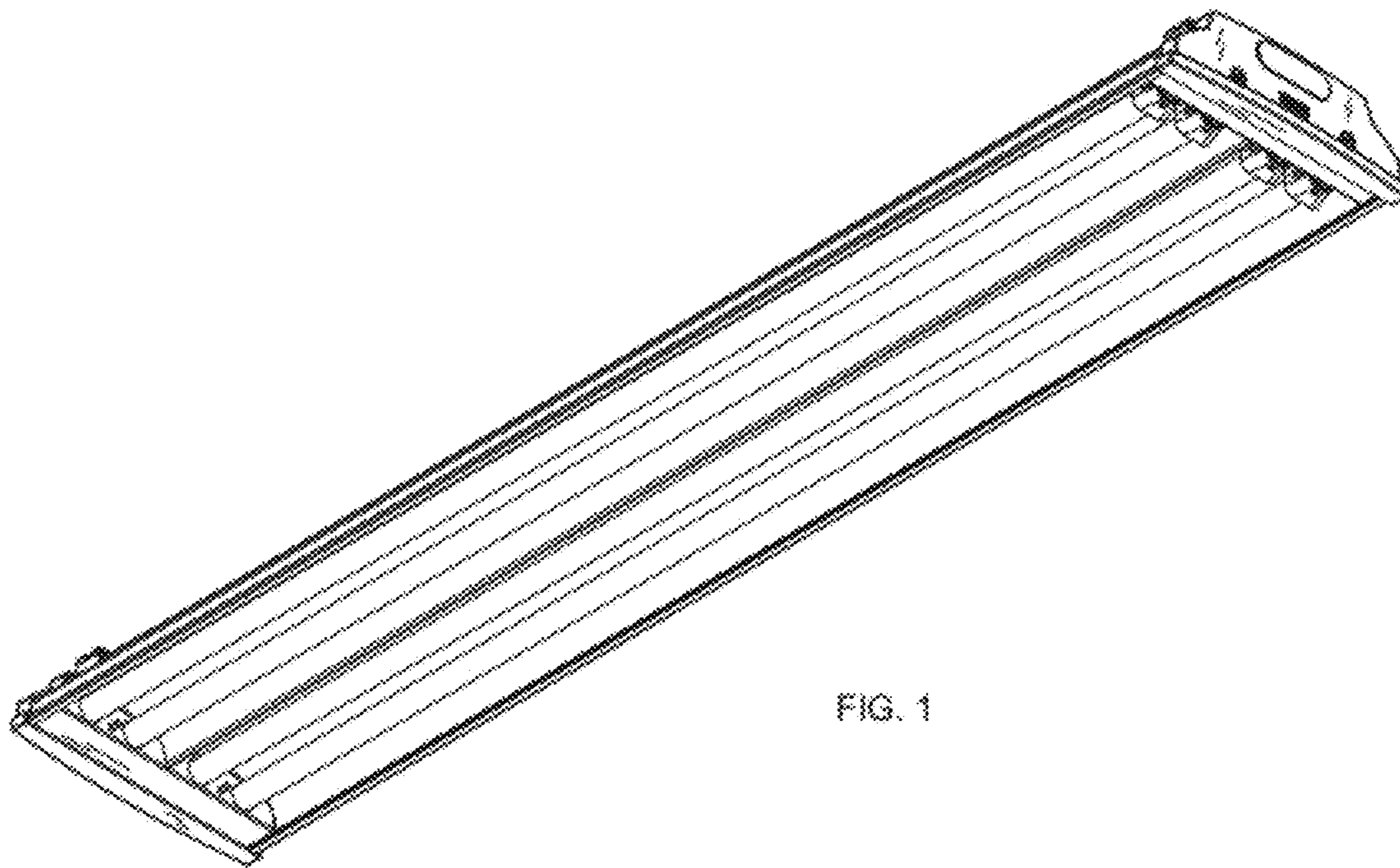


FIG. 1



FIG. 2

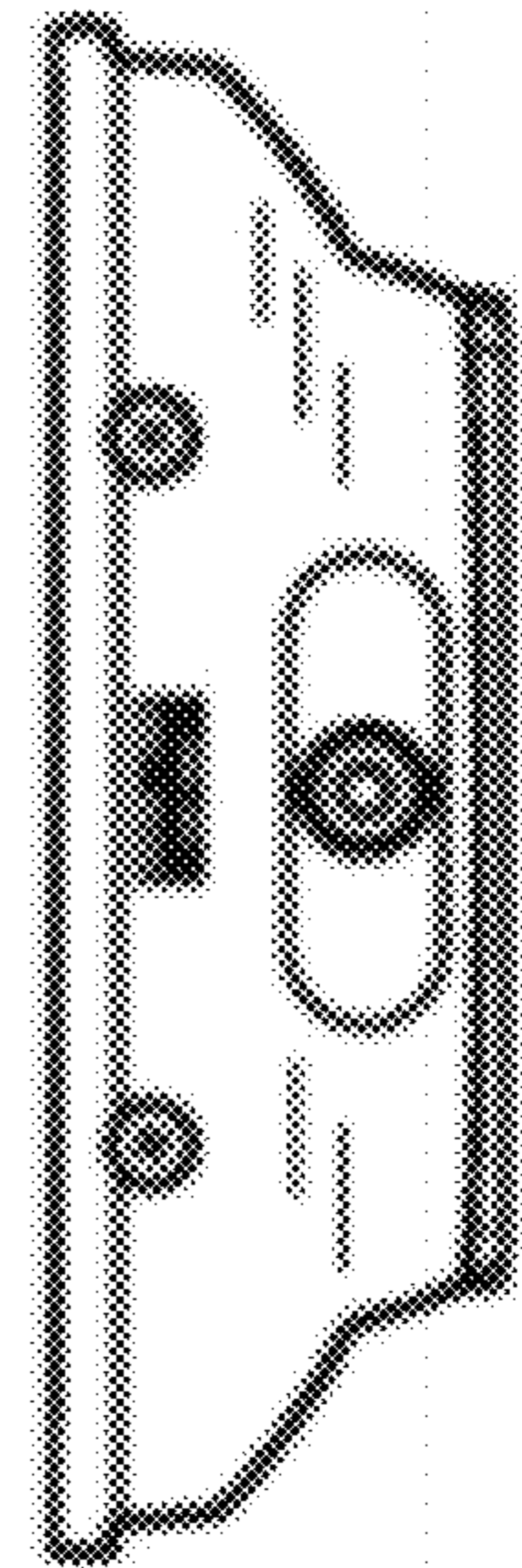


FIG. 3



FIG. 7

FIG. 4



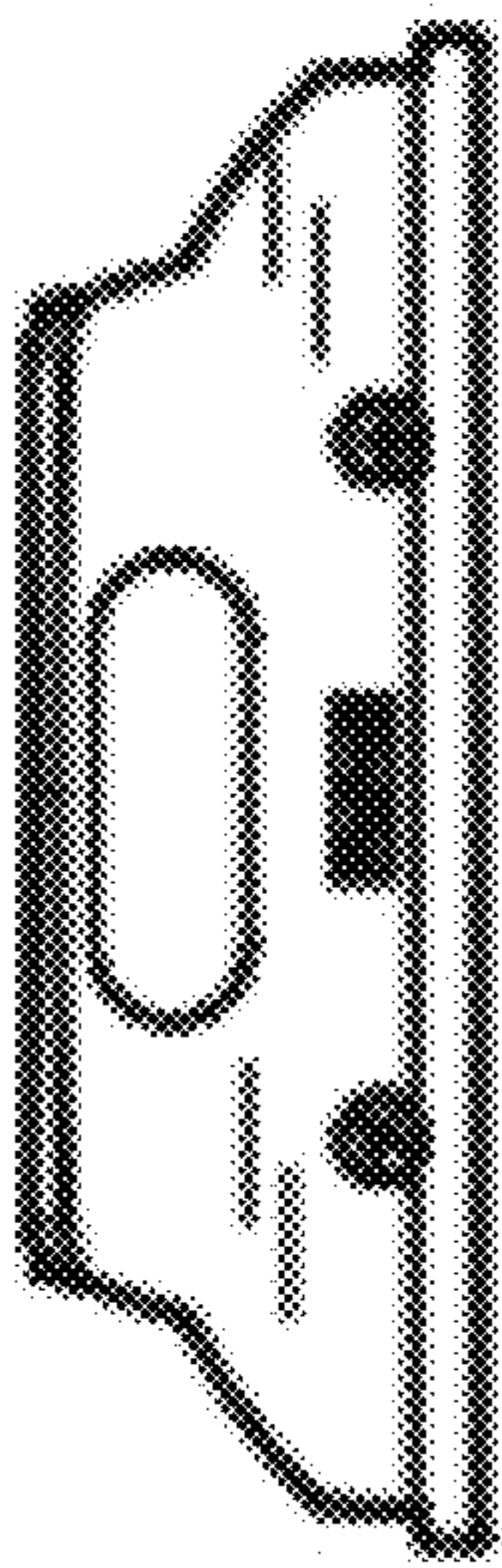


FIG. 5



FIG. 6