



US00D675364S

(12) **United States Design Patent**
Watt

(10) **Patent No.:** **US D675,364 S**
(45) **Date of Patent:** **** Jan. 29, 2013**

(54) **LIGHTING FIXTURE**

(75) Inventor: **Graeme Watt**, Altrincham (GB)

(73) Assignee: **Focal Point, L.L.C.**, Chicago, IL (US)

(**) Term: **14 Years**

(21) Appl. No.: **29/419,935**

(22) Filed: **May 3, 2012**

(51) **LOC (9) Cl.** **26-05**

(52) **U.S. Cl.** **D26/74**

(58) **Field of Classification Search** D26/74,
D26/72, 75, 76, 77, 78, 79, 113, 118, 120,
D26/122, 138, 141; 362/482, 145, 147, 148,
362/150, 151, 152, 153, 153.1, 218, 217.02,
362/217.03, 217.05, 217.07, 217.08, 217.09,
362/217.1, 217.11, 217.14, 217.15, 342,
362/346, 347, 364, 365, 366, 800, 260, 279,
362/280, 290, 291, 292, 294, 296.01, 297,
362/298, 299, 300, 301, 310, 296.07, 311.02,
362/311.01, 311.09

See application file for complete search history.

(56) **References Cited**

U.S. PATENT DOCUMENTS

D407,473 S *	3/1999	Wimbock	D23/328
5,988,836 A *	11/1999	Swarens	362/364
D496,121 S *	9/2004	Santoro	D26/74
D556,358 S *	11/2007	Santoro	D26/74
D579,598 S *	10/2008	Santoro	D26/76

D602,625 S *	10/2009	Santoro	D26/76
D608,490 S *	1/2010	Chung et al.	D26/118
D608,932 S *	1/2010	Castelli	D26/76
D609,385 S *	2/2010	Castelli	D26/76
D611,183 S *	3/2010	Duarte	D26/76
D644,374 S *	8/2011	Ferrier	D26/118
D653,376 S *	1/2012	Kong et al.	D26/76
2012/0140461 A1 *	6/2012	Pickard	362/225

* cited by examiner

Primary Examiner — Angela J Lee

(74) *Attorney, Agent, or Firm* — Banner & Witcoff, Ltd.

(57) **CLAIM**

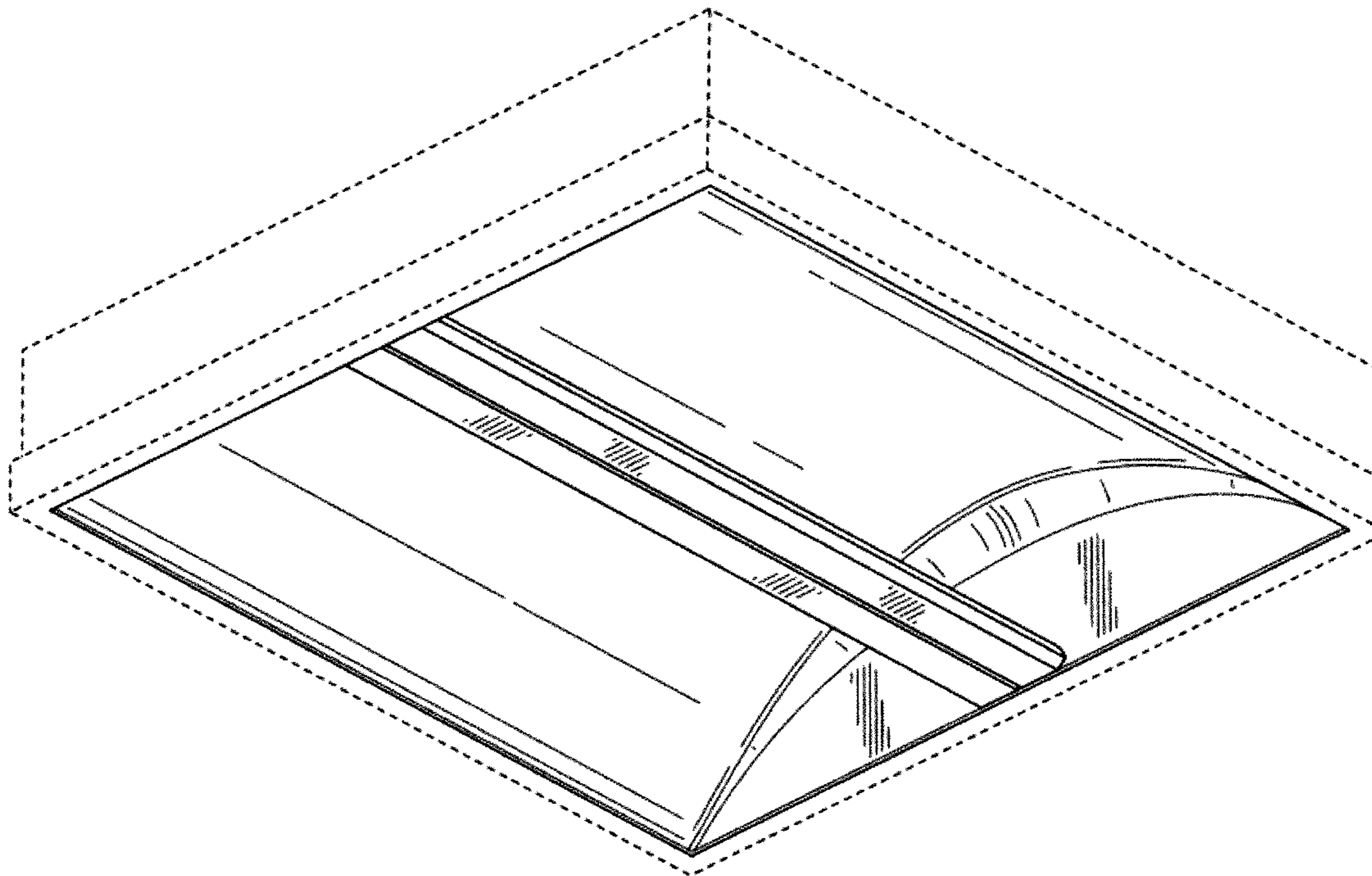
The ornamental design for a lighting fixture, as shown and described.

DESCRIPTION

FIG. 1 is a bottom, front, right perspective view of a lighting fixture showing my new design;
FIG. 2 is a bottom view thereof;
FIG. 3 is a top view thereof;
FIG. 4 is a front view thereof;
FIG. 5 is a right side view thereof;
FIG. 6 is a rear view thereof; and,
FIG. 7 is a left side view thereof.

The broken lines immediately adjacent to the shaded area represent unclaimed boundaries of the design. The broken lines showing the remainder of the lighting fixture are for environmental purposes only and form no part of the claimed design.

1 Claim, 4 Drawing Sheets



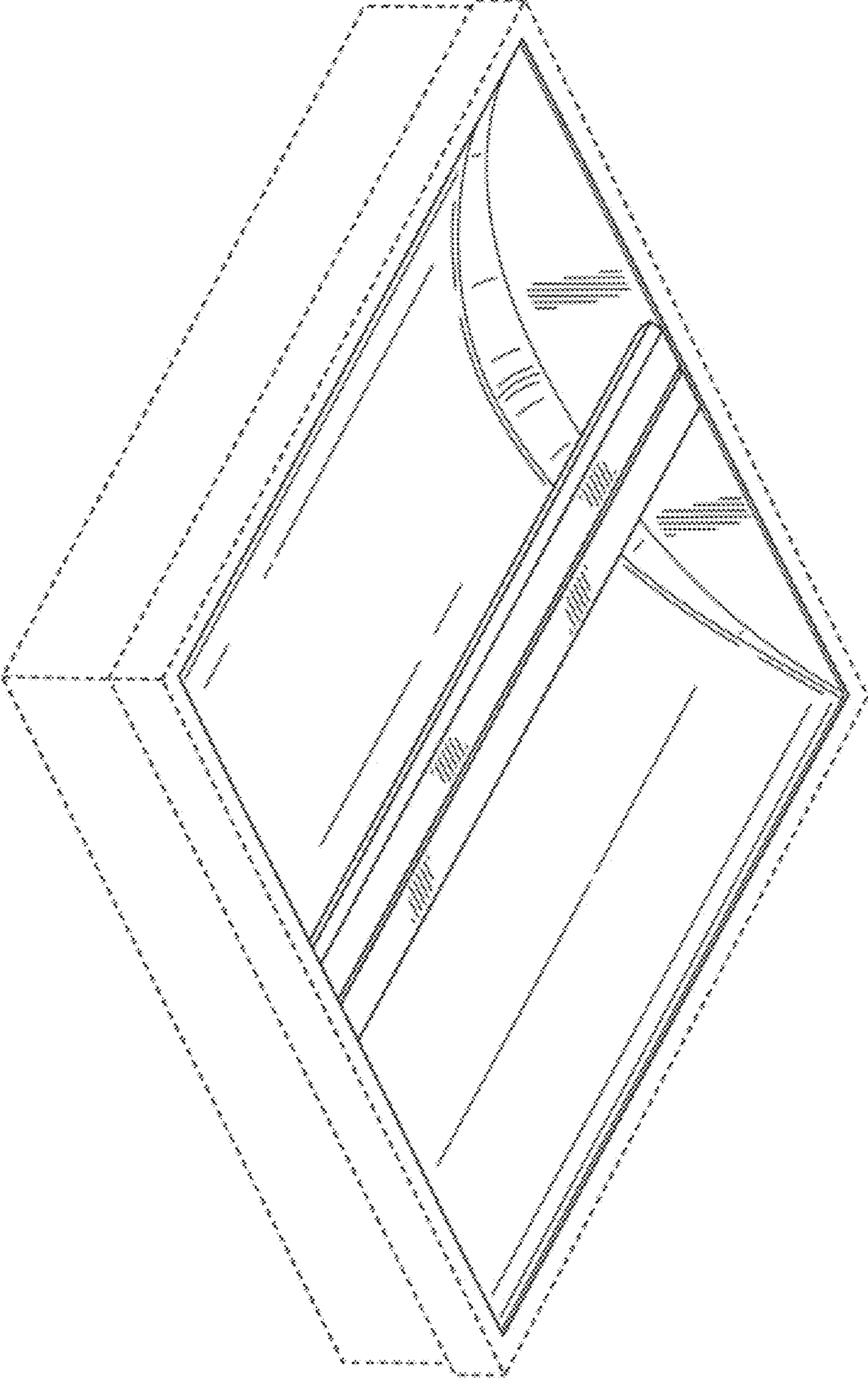


FIG. 1

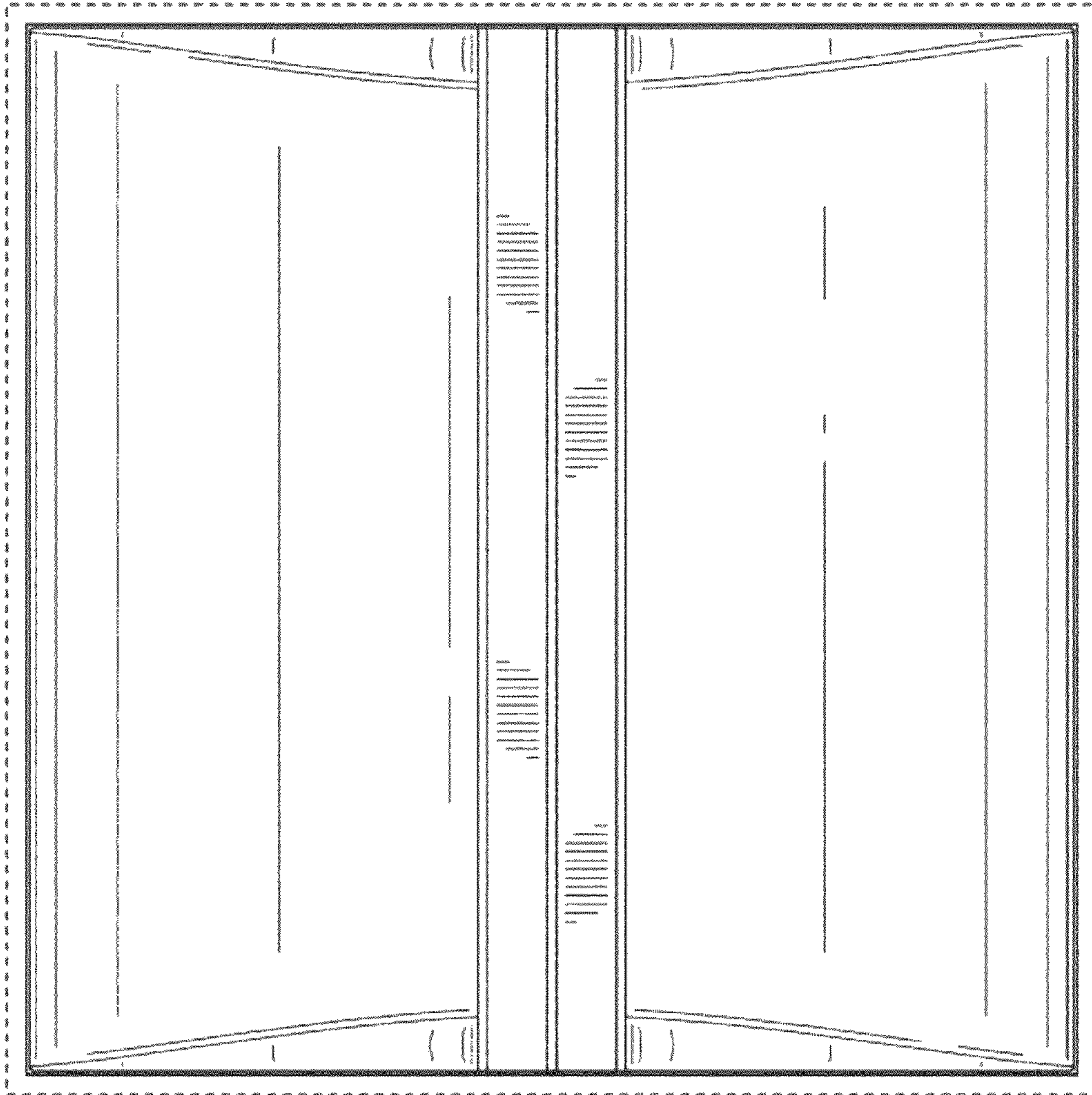


FIG. 2

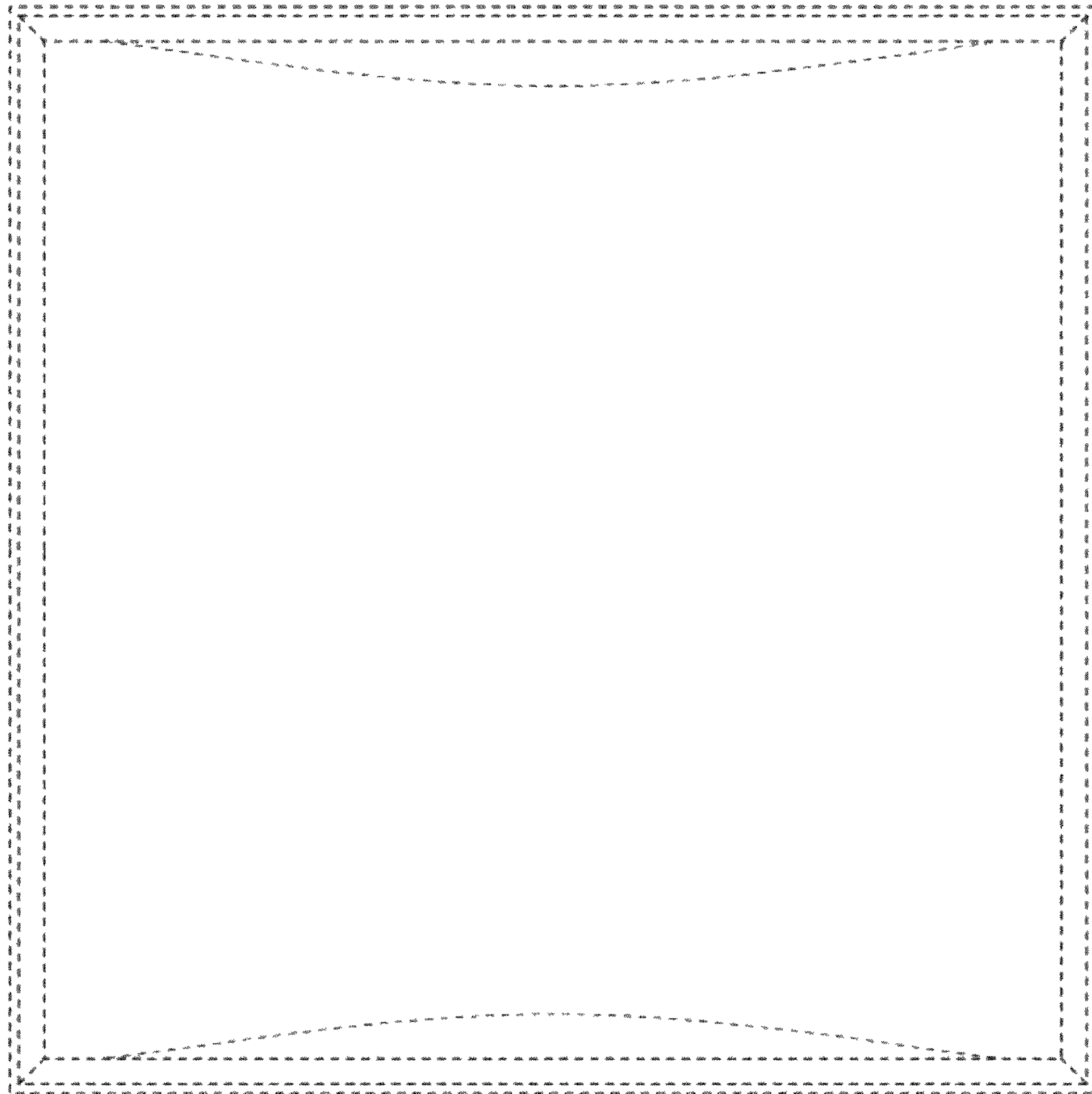


FIG. 3



FIG. 4



FIG. 5



FIG. 6



FIG. 7