



US00D675363S

(12) **United States Design Patent**
Apetauer et al.

(10) **Patent No.:** **US D675,363 S**

(45) **Date of Patent:** **** *Jan. 29, 2013**

(54) **LIGHTING FIXTURE**

(75) Inventors: **Stephan Apetauer**, Munich (DE);
Thomas Moeker, Munich (DE);
Burkhard Schlee, Munich (DE)

(73) Assignee: **Focal Point, L.L.C.**, Chicago, IL (US)

(*) Notice: This patent is subject to a terminal disclaimer.

(**) Term: **14 Years**

(21) Appl. No.: **29/391,861**

(22) Filed: **May 13, 2011**

(51) **LOC (9) Cl.** **26-05**

(52) **U.S. Cl.** **D26/74**

(58) **Field of Classification Search** D26/72,
D26/74, 75, 76, 77, 78, 79, 80, 81, 82, 83,
D26/84, 85, 88, 89, 90, 118; 362/145, 146,
362/147, 148, 150, 151, 152, 153, 153.1,
362/217.01, 217.02, 217.05, 217.06, 217.07,
362/217.08, 217.09, 217.1, 217.11, 249.02,
362/260, 296.07, 311.02

See application file for complete search history.

(56) **References Cited**

U.S. PATENT DOCUMENTS

D192,646	S	*	4/1962	Pascucci	D26/76
D195,012	S	*	4/1963	Hoyle	D23/388
D348,534	S	*	7/1994	Herst et al.	D26/85
D349,357	S	*	8/1994	Herst et al.	D26/85
6,523,974	B2	*	2/2003	Engel	362/224
D496,121	S	*	9/2004	Santoro	D26/74
D556,358	S	*	11/2007	Santoro	D26/74

D579,598	S	*	10/2008	Santoro	D26/76
D602,626	S	*	10/2009	Santoro et al.	D26/76
D608,931	S	*	1/2010	Castelli	D26/76
D608,933	S	*	1/2010	Castelli	D26/76
D617,489	S	*	6/2010	Santoro	D26/76
D631,594	S	*	1/2011	Irvine	D26/74

OTHER PUBLICATIONS

Nest-Recessed Lighting Fixture, Maltani Lighting, www.maltani.co.kr/Front_eng/product/sub01View.html?no=1293&prd_gb=1&prd_category=1, dated Mar. 30, 2012, retrieved from Internet Apr. 25, 2012.

* cited by examiner

Primary Examiner — Angela J Lee

(74) *Attorney, Agent, or Firm* — Banner & Witcoff, Ltd.

(57) **CLAIM**

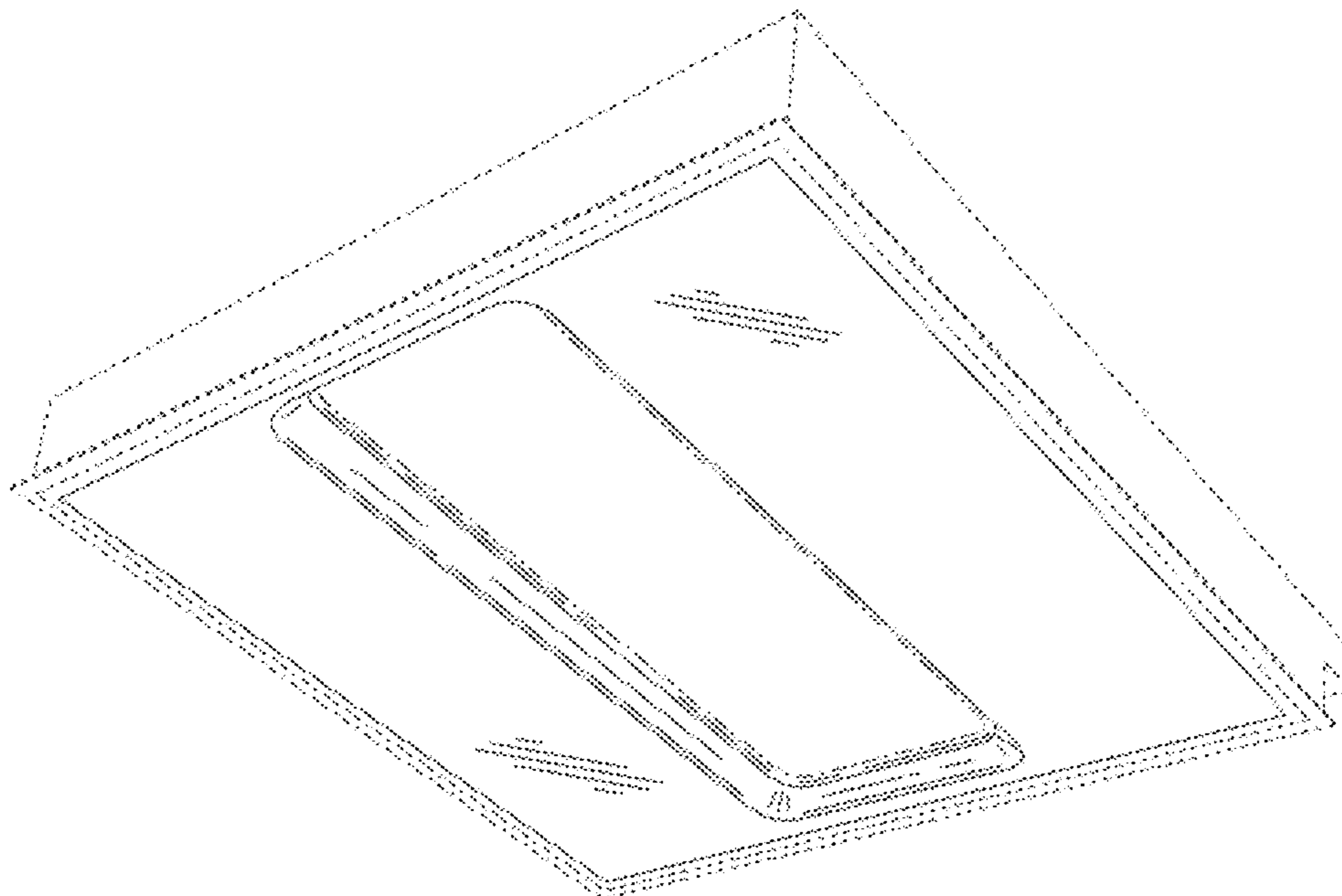
The ornamental design for a lighting fixture, as shown and described.

DESCRIPTION

FIG. 1 is a bottom, front, right perspective view of a lighting fixture showing our new design;
FIG. 2 is a bottom view thereof;
FIG. 3 is a top view thereof;
FIG. 4 is a front view thereof;
FIG. 5 is a right side view thereof;
FIG. 6 is a rear view thereof; and,
FIG. 7 is a left side view thereof.

The uneven-length broken lines represent unclaimed boundaries of the claimed design. The even-length broken lines showing the remainder of the lighting fixture are for environmental purposes only and form no part of the claimed design.

1 Claim, 4 Drawing Sheets



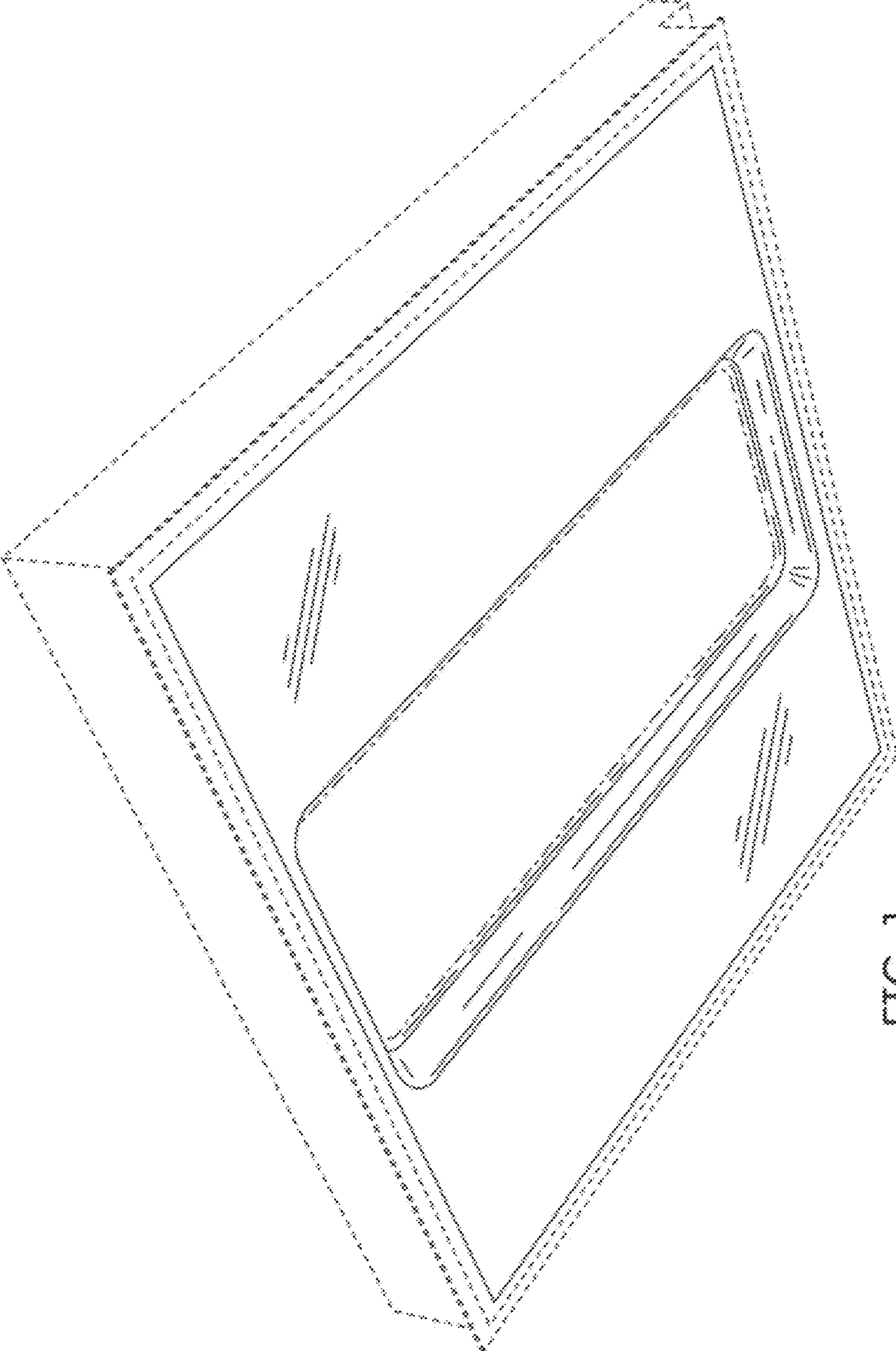


FIG. 1

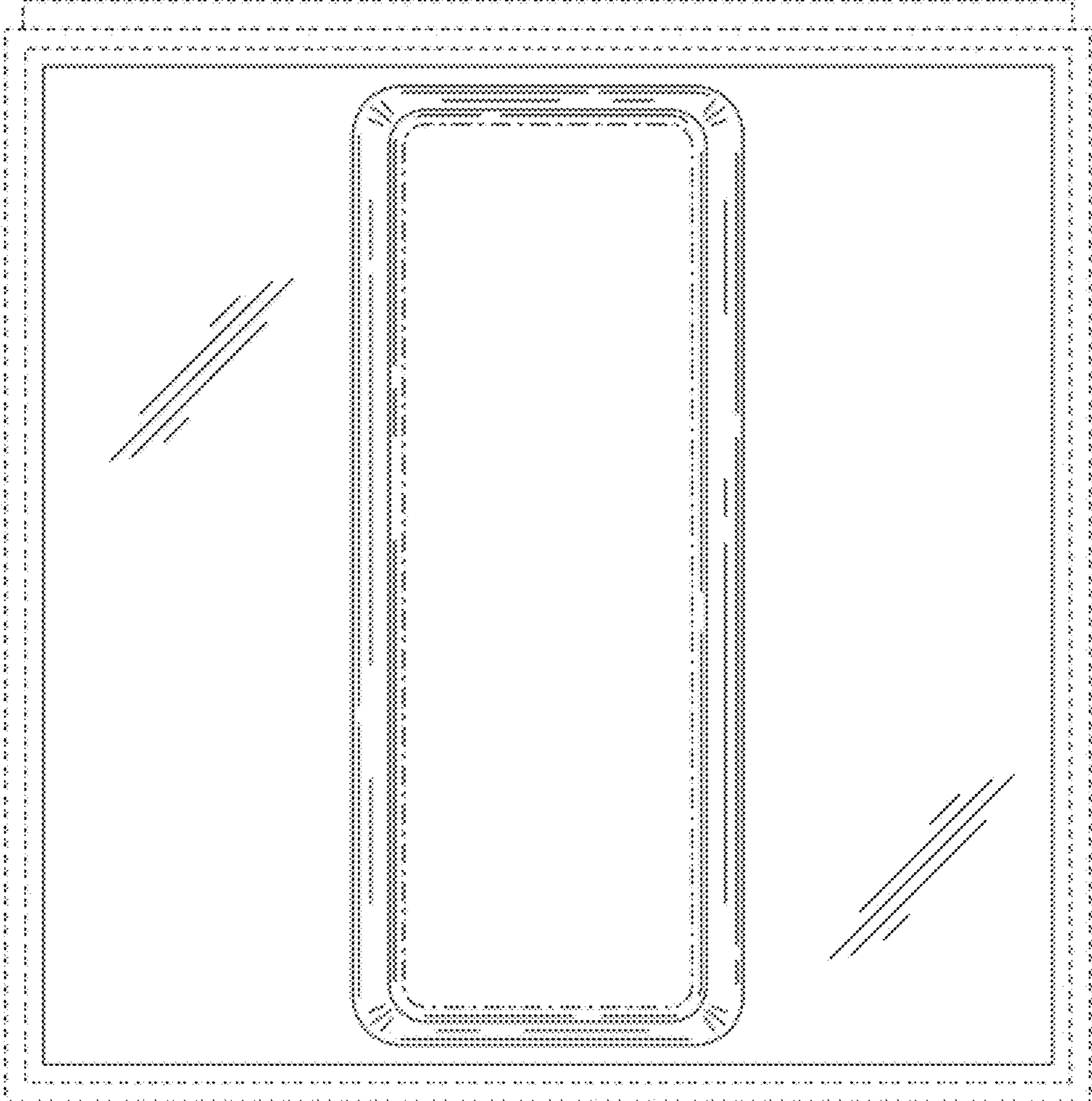


FIG. 2

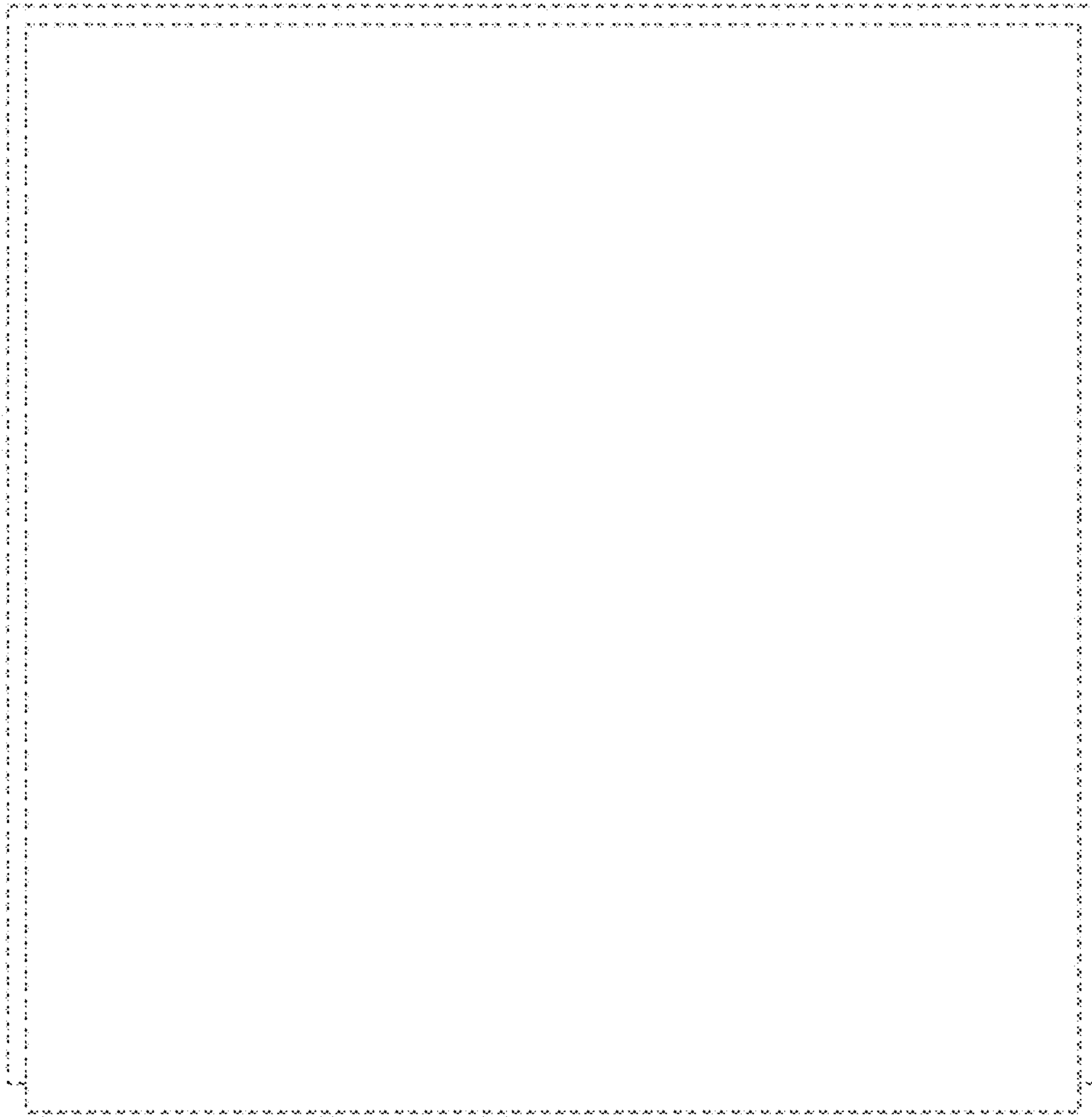


FIG. 3



FIG. 4



FIG. 5

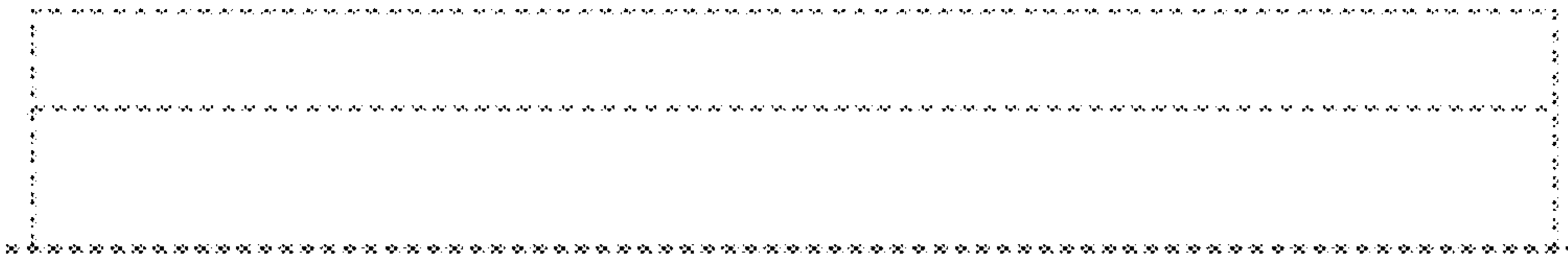


FIG. 6



FIG. 7