



US00D675362S

(12) **United States Design Patent**
Apetauer et al.

(10) **Patent No.:** **US D675,362 S**

(45) **Date of Patent:** **** *Jan. 29, 2013**

(54) **LIGHTING FIXTURE**

(75) Inventors: **Stephan Apetauer**, Munich (DE);
Thomas Moeker, Munich (DE);
Burkhard Schlee, Munich (DE)

(73) Assignee: **Focal Point, L.L.C.**, Chicago, IL (US)

(*) Notice: This patent is subject to a terminal disclaimer.

(**) Term: **14 Years**

(21) Appl. No.: **29/391,858**

(22) Filed: **May 13, 2011**

(51) **LOC (9) Cl.** **26-05**

(52) **U.S. Cl.** **D26/74**

(58) **Field of Classification Search** D26/72,
D26/74, 75, 76, 77, 78, 79, 80, 81, 82, 83,
D26/84, 85, 88, 89, 90, 118; 362/145, 146,
362/147, 148, 150, 151, 152, 153, 153.1,
362/217.01, 217.02, 217.05, 217.06, 217.07,
362/217.08, 217.09, 217.1, 217.11, 249.02,
362/260, 296.07, 311.02

See application file for complete search history.

(56) **References Cited**

U.S. PATENT DOCUMENTS

D192,646 S *	4/1962	Pascucci	D26/76
D195,012 S *	4/1963	Hoyle	D23/388
D348,534 S *	7/1994	Herst et al.	D26/85
D349,357 S *	8/1994	Herst et al.	D26/85
6,523,974 B2 *	2/2003	Engel	362/224
D496,121 S *	9/2004	Santoro	D26/74
D556,358 S *	11/2007	Santoro	D26/74
D579,598 S *	10/2008	Santoro	D26/76

D602,626 S *	10/2009	Santoro et al.	D26/76
D608,931 S *	1/2010	Castelli	D26/76
D608,933 S *	1/2010	Castelli	D26/76
D617,489 S *	6/2010	Santoro	D26/76
D631,594 S *	1/2011	Irvine	D26/74

OTHER PUBLICATIONS

Nest-Recessed Lighting Fixture, Maltani Lighting, www.maltani.co.kr/Front_eng/product/sub01View.html?no=1293&prd_gb=1&prd_category=1, dated Mar. 30, 2012, retrieved from Internet Apr. 25, 2012.

* cited by examiner

Primary Examiner — Angela J Lee

(74) *Attorney, Agent, or Firm* — Banner & Witcoff, Ltd.

(57) **CLAIM**

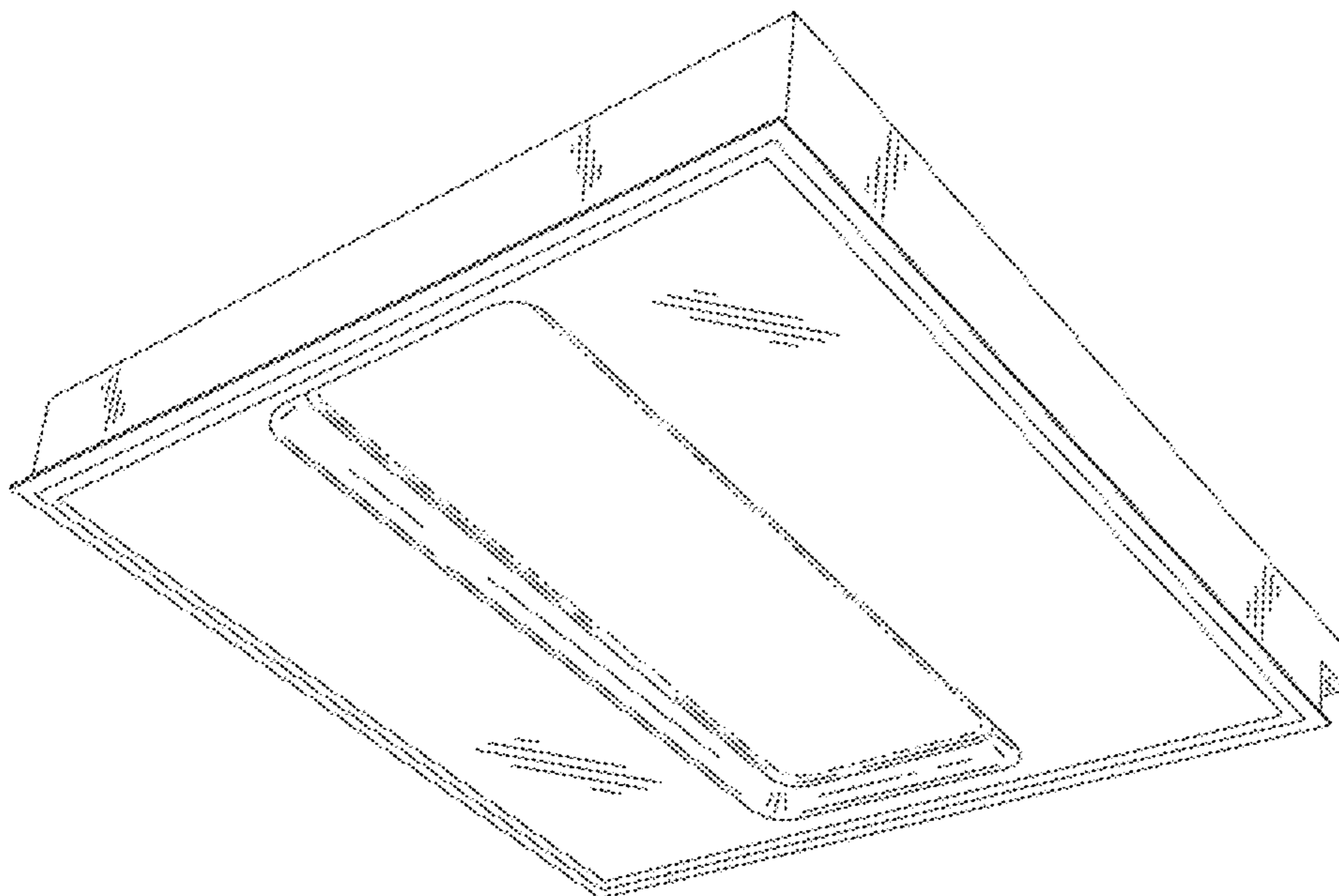
The ornamental design for a lighting fixture, as shown and described.

DESCRIPTION

FIG. 1 is a bottom, front, right perspective view of a lighting fixture showing our new design;
FIG. 2 is a bottom view thereof;
FIG. 3 is a top view thereof;
FIG. 4 is a front view thereof;
FIG. 5 is a right side view thereof;
FIG. 6 is a rear view thereof; and,
FIG. 7 is a left side view thereof.

The broken lines immediately adjacent to the shaded area represent unclaimed boundaries of the design. The broken lines showing the remainder of the lighting fixture are for environmental purposes only and form no part of the claimed design.

1 Claim, 4 Drawing Sheets



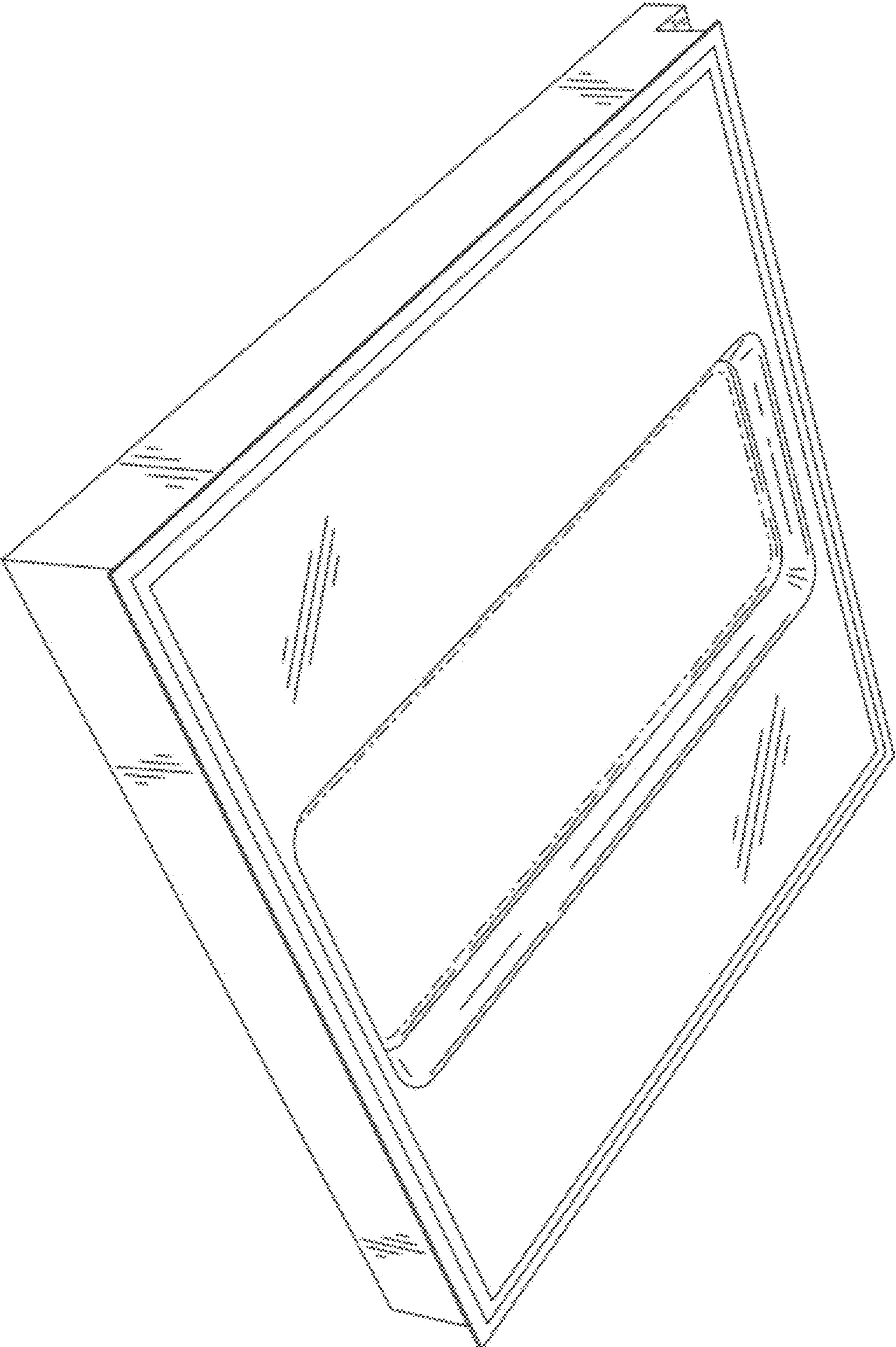


FIG. 1

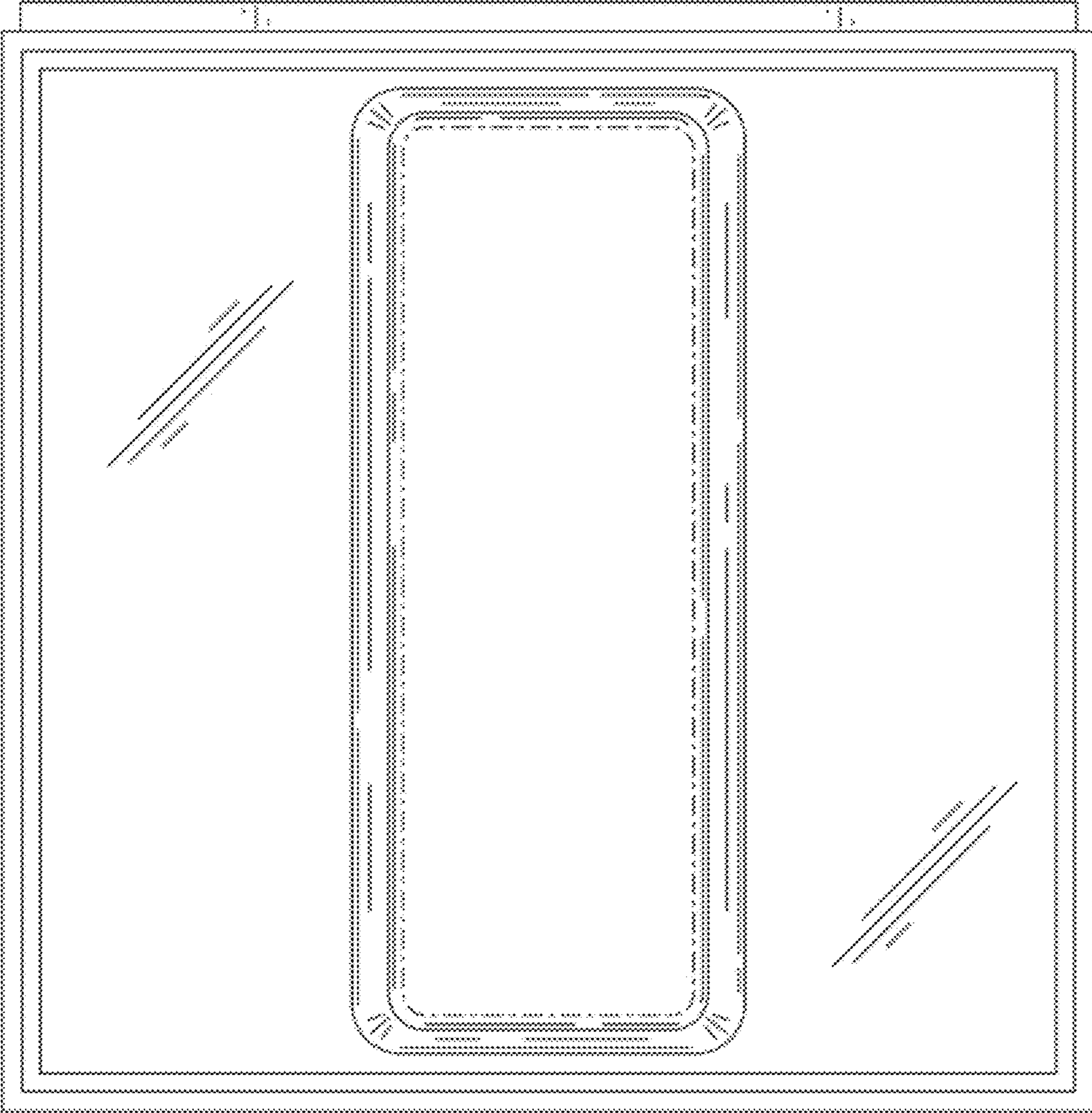


FIG. 2

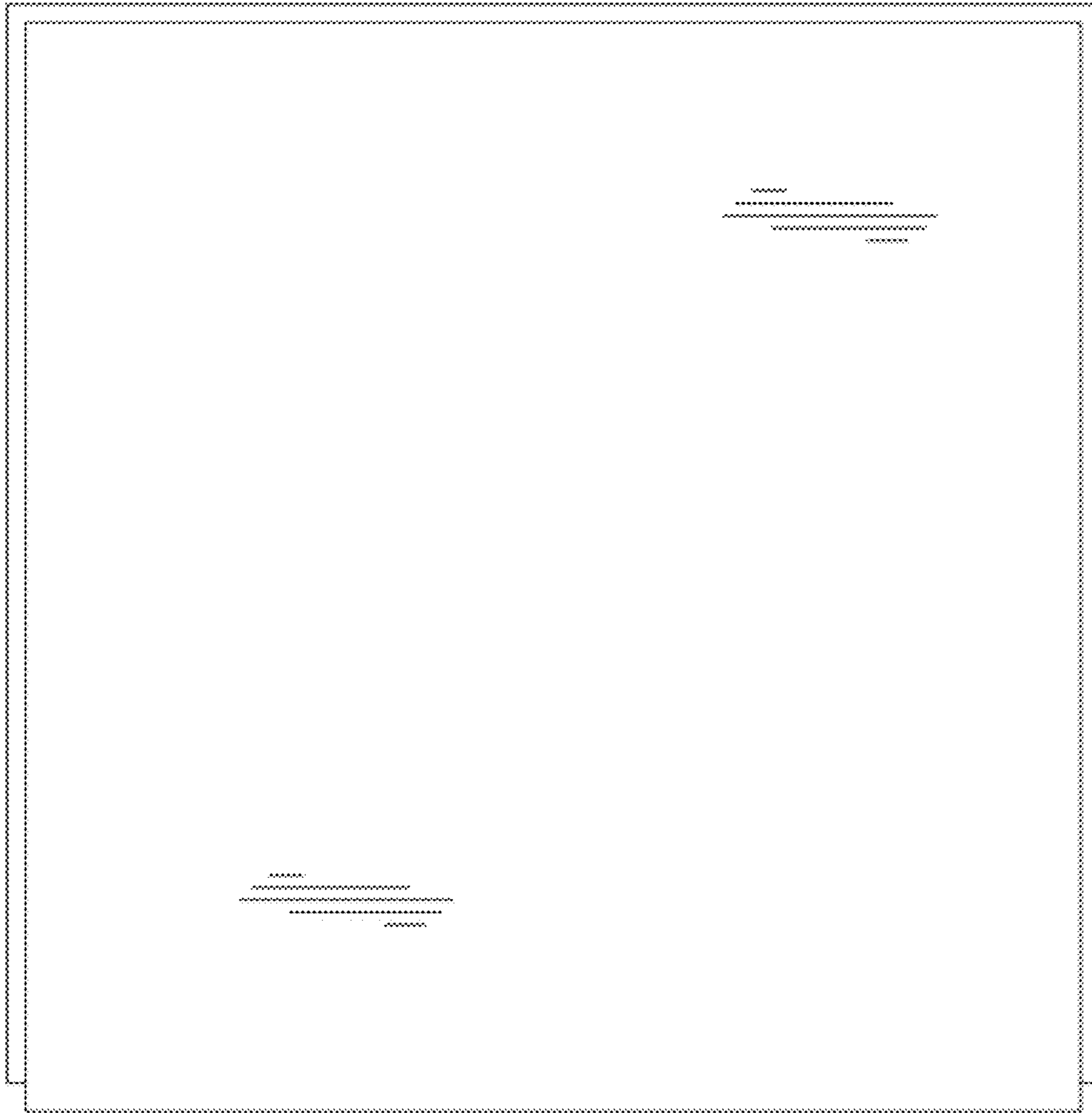


FIG. 3

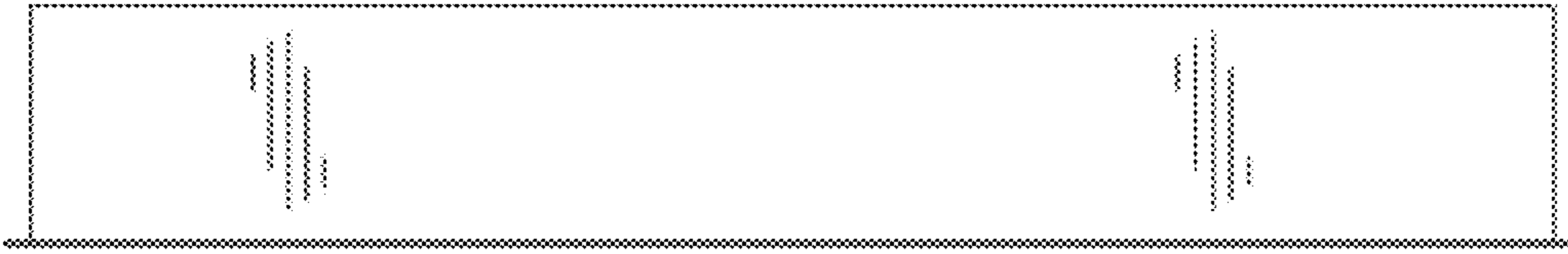


FIG. 4

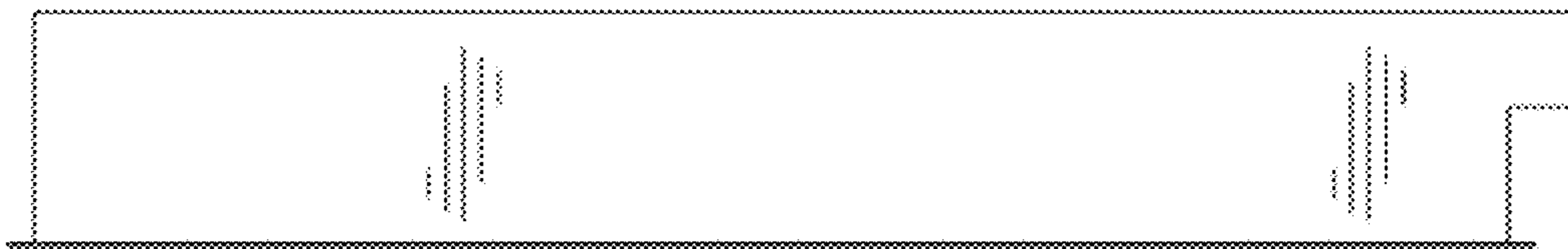


FIG. 5

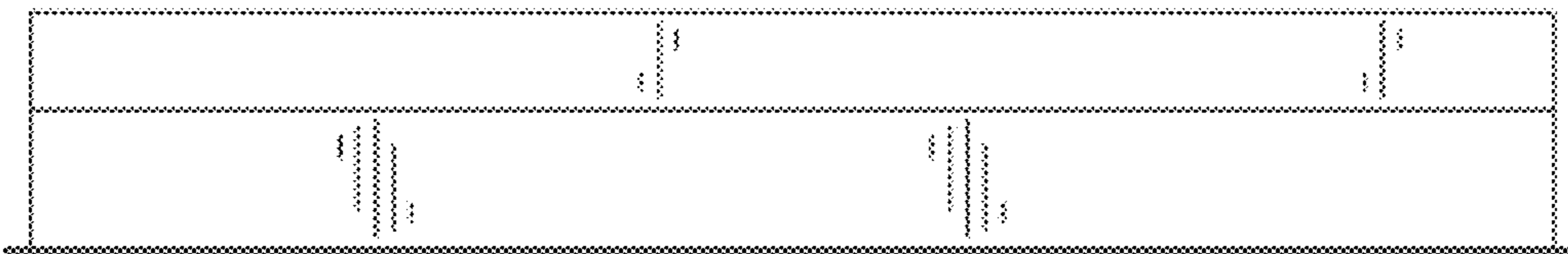


FIG. 6

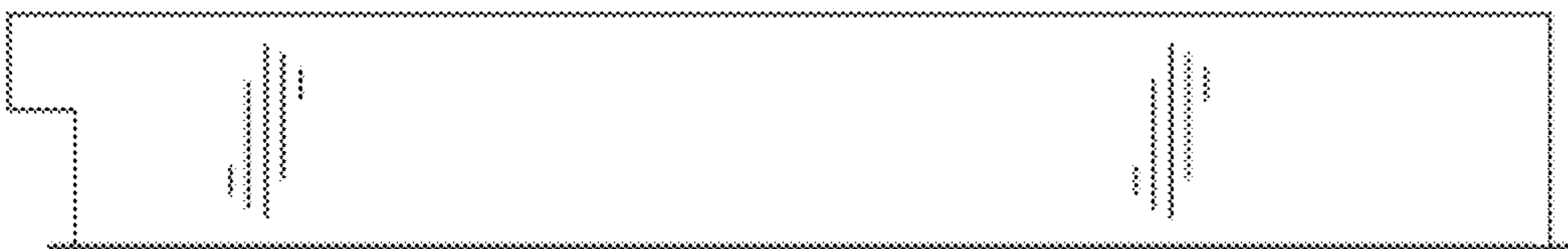


FIG. 7