

US00D675360S

(12) **United States Design Patent**  
**Lee**

(10) **Patent No.:** **US D675,360 S**  
(45) **Date of Patent:** **\*\* Jan. 29, 2013**

(54) **READING LAMP**

(76) Inventor: **Wen-Sung Lee**, Taichung (TW)

(\*\*) Term: **14 Years**

(21) Appl. No.: **29/426,379**

(22) Filed: **Jul. 5, 2012**

(30) **Foreign Application Priority Data**

May 14, 2012 (EM) ..... 002041046

(51) **LOC (9) Cl.** ..... **26-05**

(52) **U.S. Cl.** ..... **D26/62**

(58) **Field of Classification Search** ..... D26/93,  
D26/106-108; 362/410-414, 418, 419, 269,  
362/275, 287, 427, 98, 99, 270, 277, 360

See application file for complete search history.

(56) **References Cited**

U.S. PATENT DOCUMENTS

D385,646 S *	10/1997	Chan .....	D26/107
D390,990 S *	2/1998	Yang .....	D26/62
D493,242 S *	7/2004	Chen .....	D26/62
D650,512 S *	12/2011	Hine et al. ....	D26/93

\* cited by examiner

*Primary Examiner* — Susan M Lee

*Assistant Examiner* — Linda G. Brooks

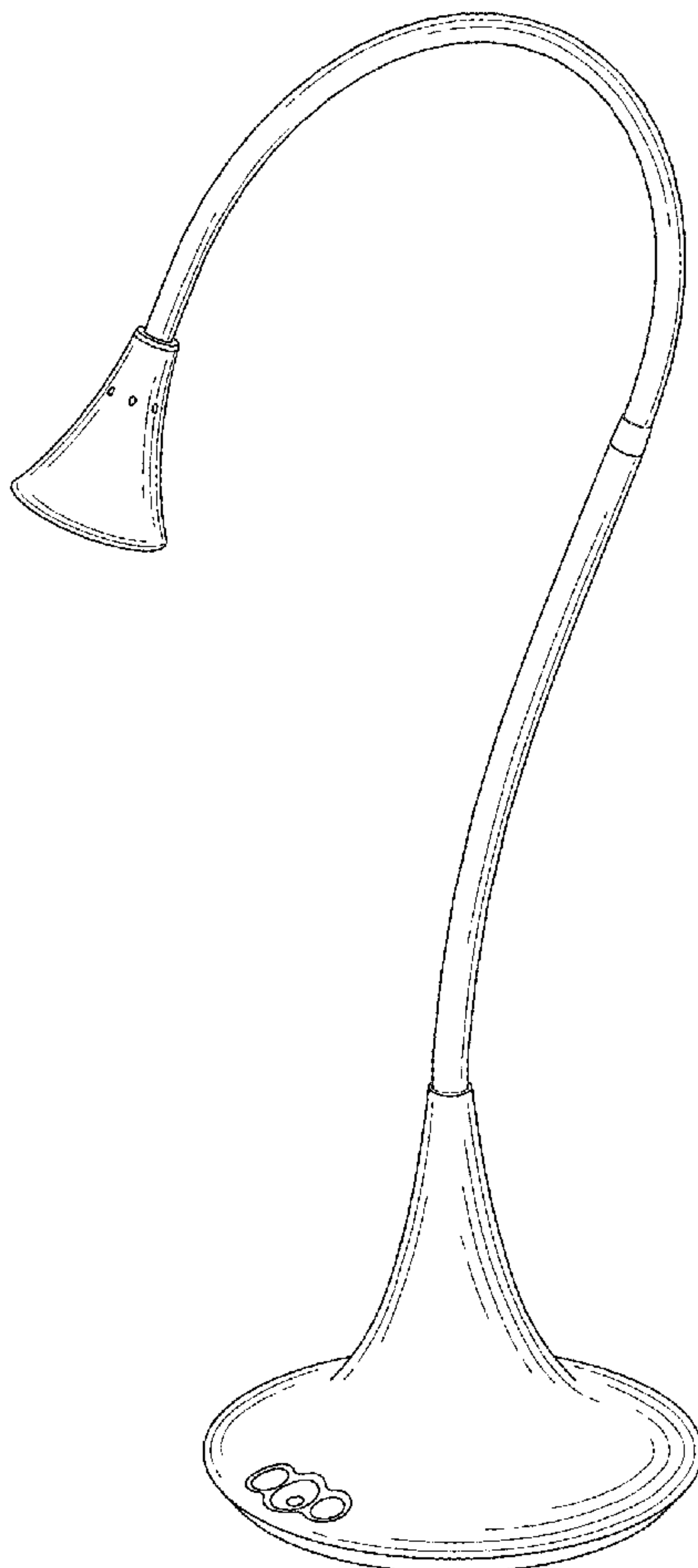
(57) **CLAIM**

The ornamental design for a reading lamp, as shown and described.

**DESCRIPTION**

FIG. 1 is a perspective view of a reading lamp showing my new design;  
FIG. 2 is a front elevational view thereof;  
FIG. 3 is a rear elevational view thereof;  
FIG. 4 is a left side view thereof;  
FIG. 5 is a right side view thereof;  
FIG. 6 is a top plan view thereof; and,  
FIG. 7 is a bottom plan view thereof.

**1 Claim, 7 Drawing Sheets**



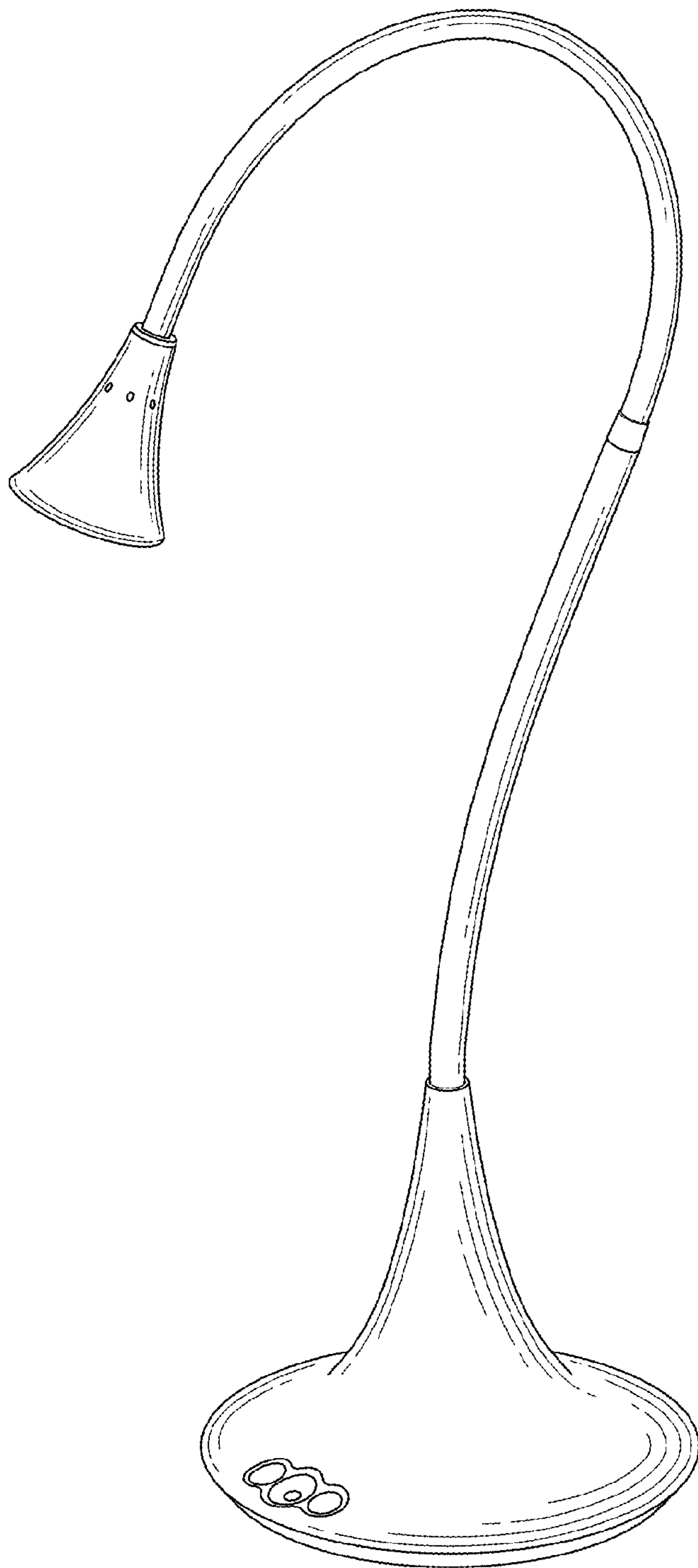


FIG. 1

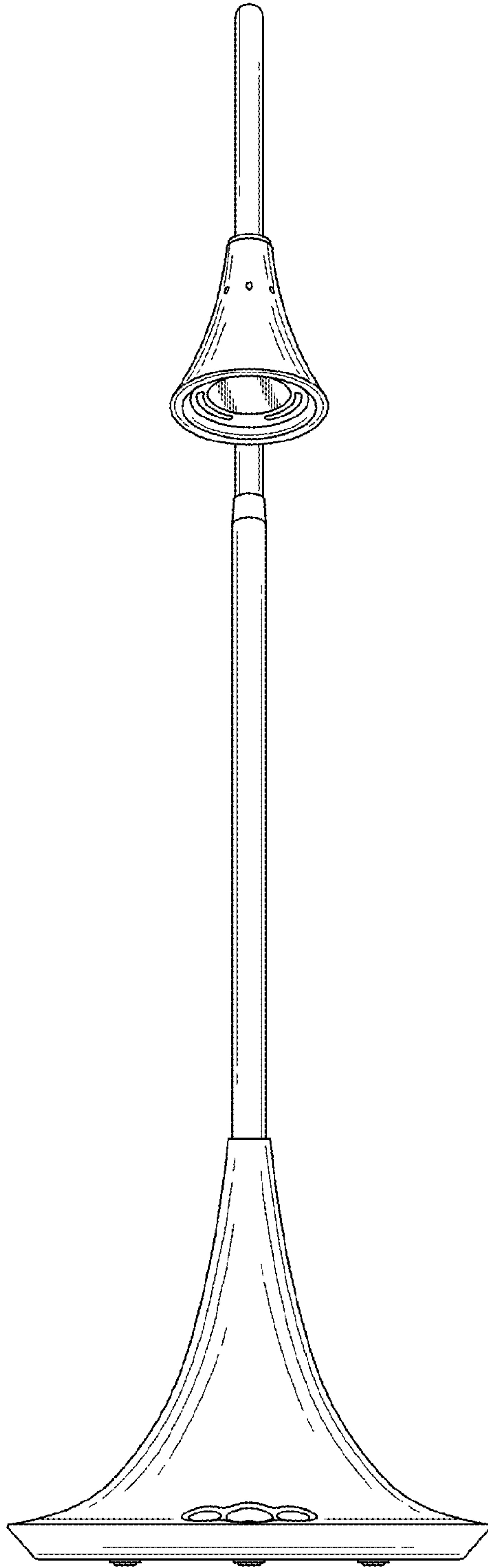


FIG. 2

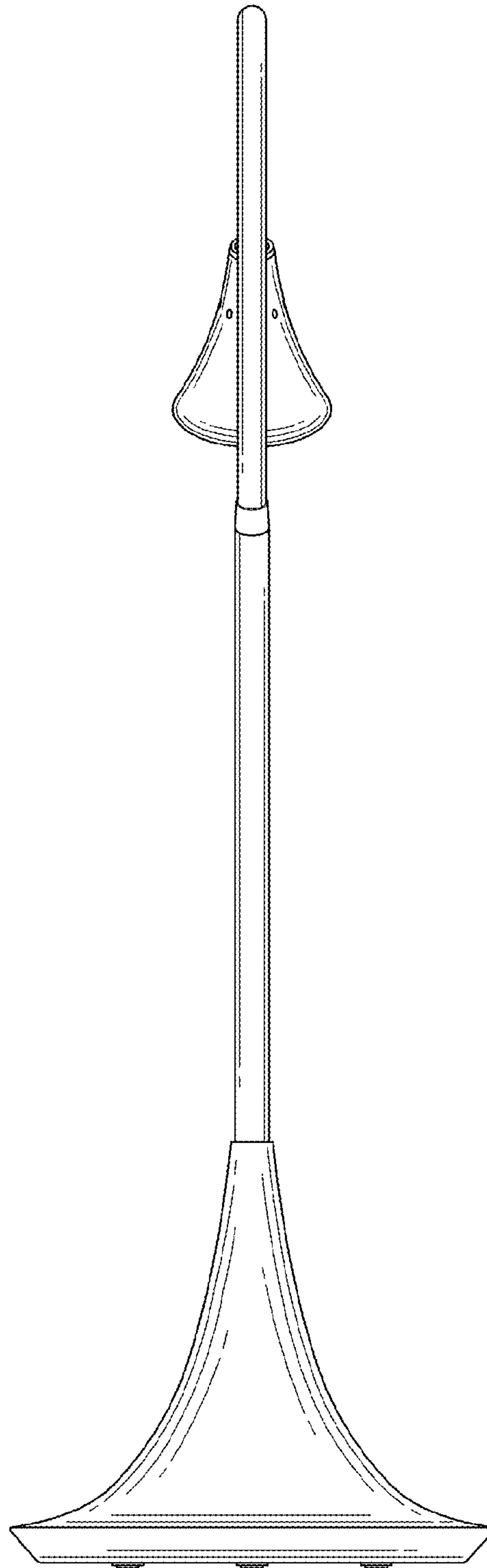


FIG. 3

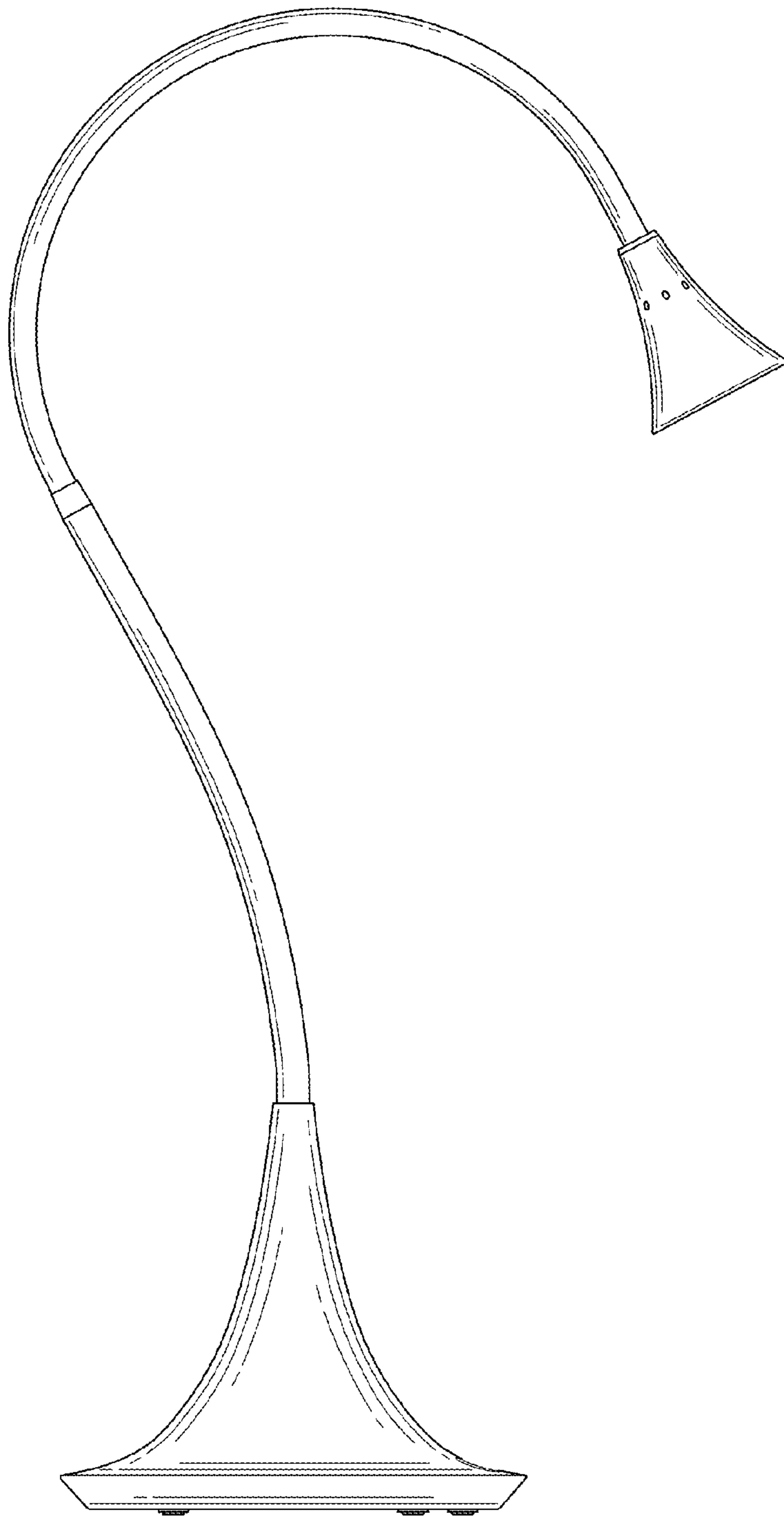


FIG. 4

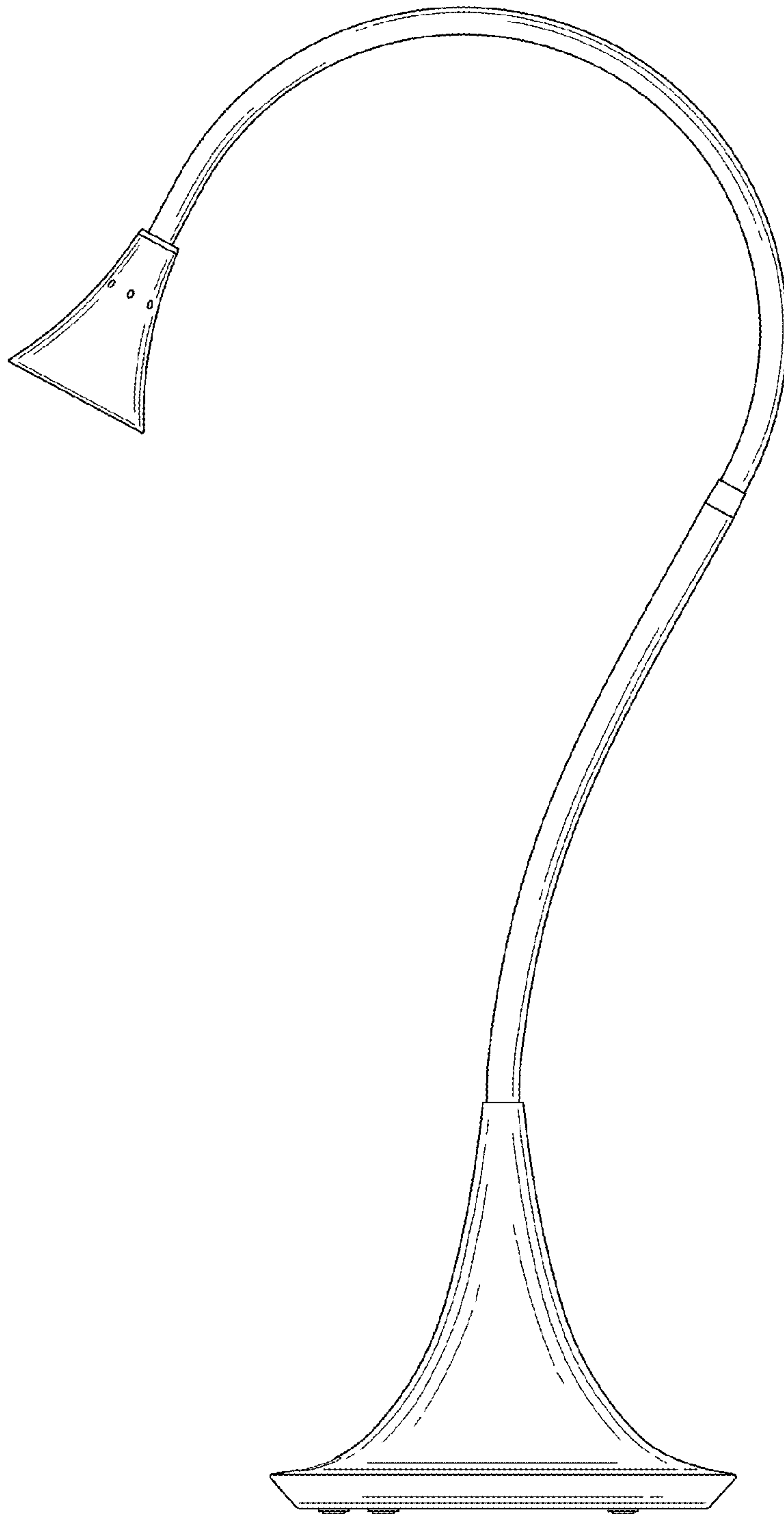


FIG. 5

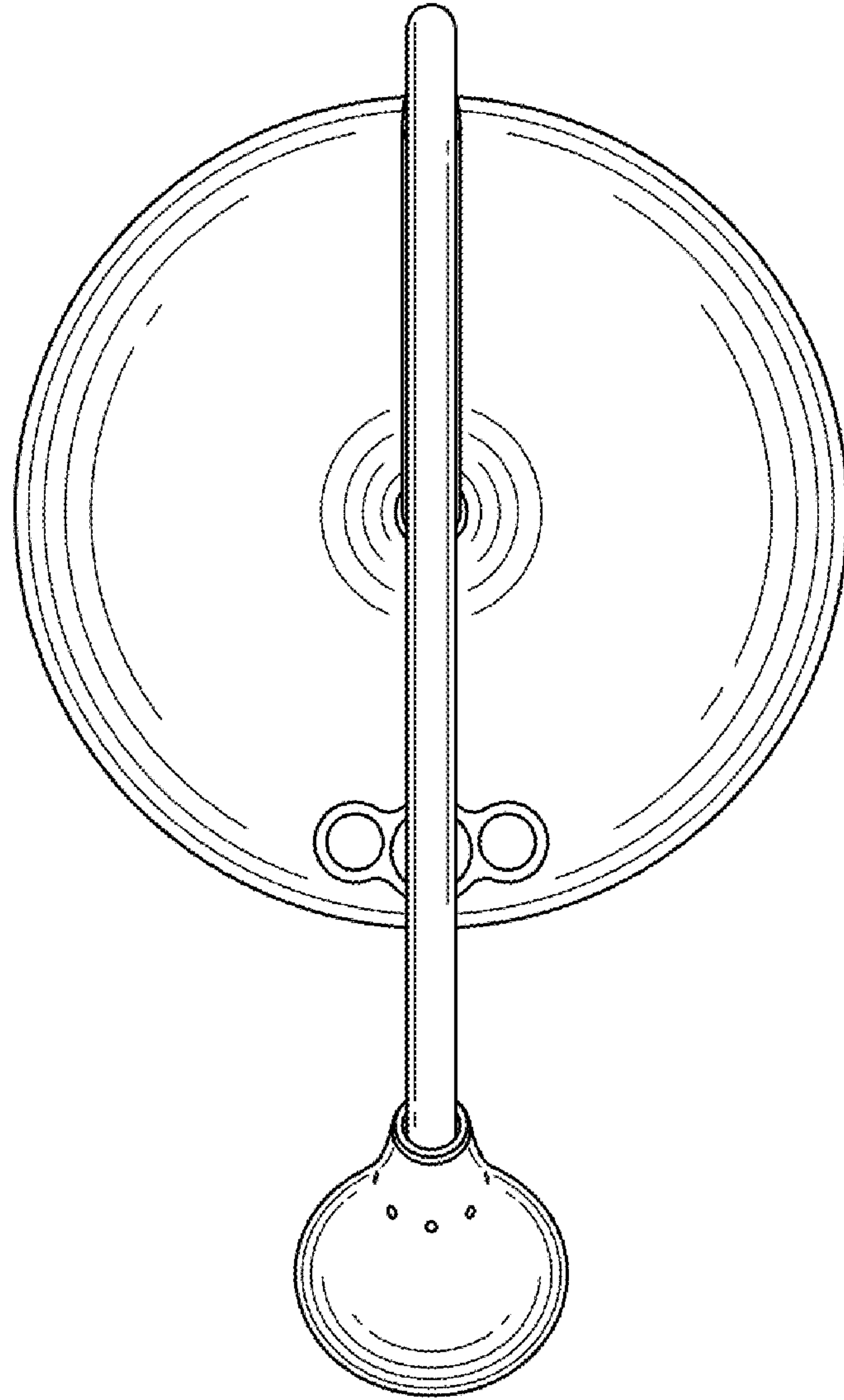


FIG. 6

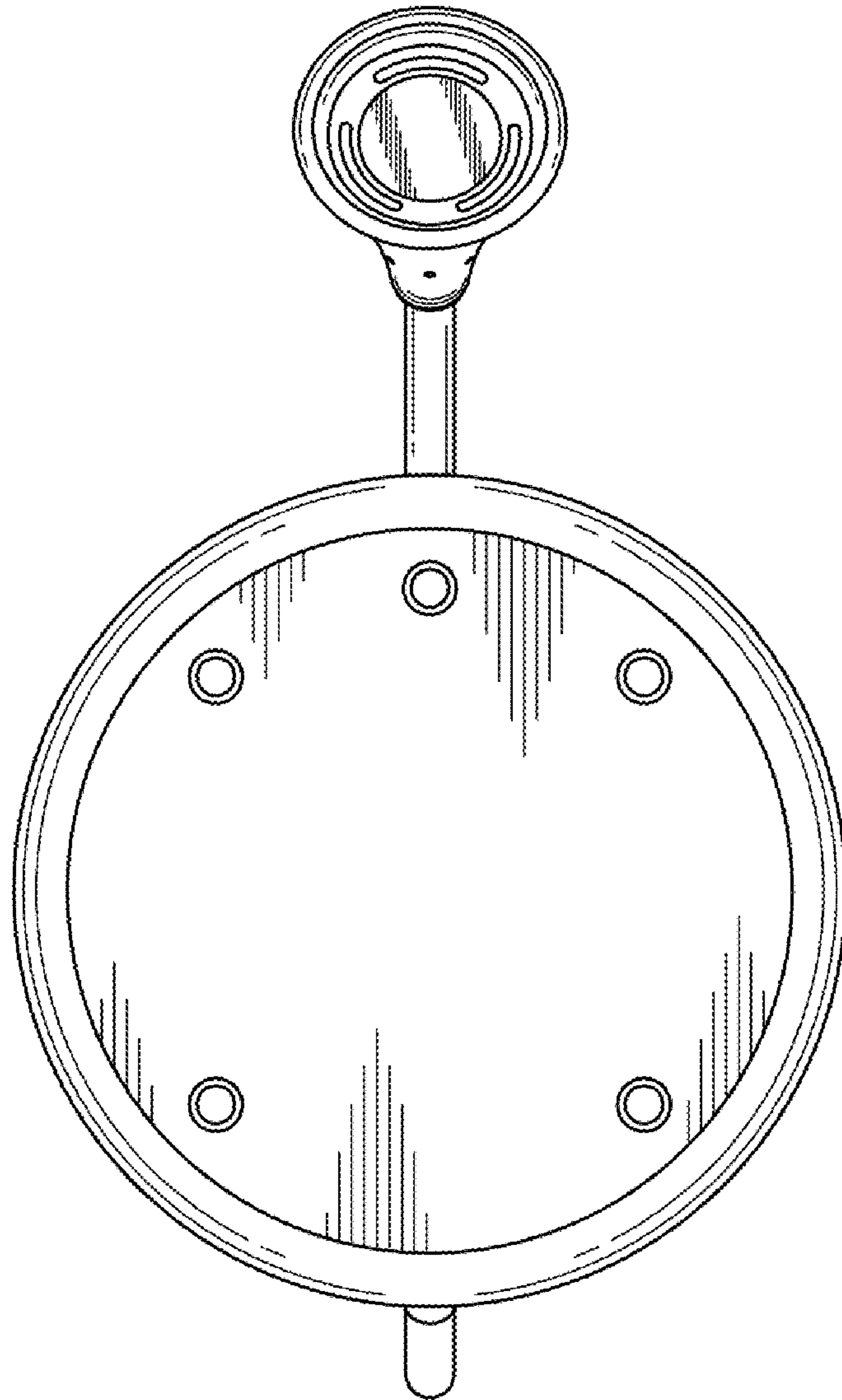


FIG. 7