



US00D675358S

(12) **United States Design Patent**
Brands et al.

(10) **Patent No.:** **US D675,358 S**
(45) **Date of Patent:** **** Jan. 29, 2013**

(54) **FLASHLIGHT**

(75) Inventors: **David C. Brands**, Portland, OR (US);
Gregory D. Windom, Portland, OR (US)

(73) Assignee: **Coast Cutlery Company**, Portland, OR (US)

(**) Term: **14 Years**

(21) Appl. No.: **29/423,174**

(22) Filed: **May 29, 2012**

(51) **LOC (9) Cl.** **26-02**

(52) **U.S. Cl.** **D26/49**

(58) **Field of Classification Search** D26/37,
D26/38, 46, 49; 362/157, 158, 184, 196-208
See application file for complete search history.

(56) **References Cited**

U.S. PATENT DOCUMENTS

D229,854 S *	1/1974	Bajusz	D26/49
D360,958 S *	8/1995	Huen	D26/49
D455,511 S *	4/2002	Chang	D26/46
D495,442 S *	8/2004	Packard	D26/37
D521,166 S *	5/2006	Yamamoto et al.	D26/37
D523,981 S *	6/2006	Galli	D26/37
D563,007 S *	2/2008	Opolka	D26/49
D576,757 S *	9/2008	Hesse et al.	D26/49
D577,845 S *	9/2008	Shiu	D26/49
D593,240 S *	5/2009	Caniparoli	D26/49

D607,591 S *	1/2010	Rivera et al.	D26/49
D637,748 S *	5/2011	Caniparoli	D26/49
D642,951 S *	8/2011	Campman	D10/119.3

* cited by examiner

Primary Examiner — Ian Simmons

Assistant Examiner — Carissa C Fitts

(74) *Attorney, Agent, or Firm* — Schwabe, Williamson & Wyatt, P.C.

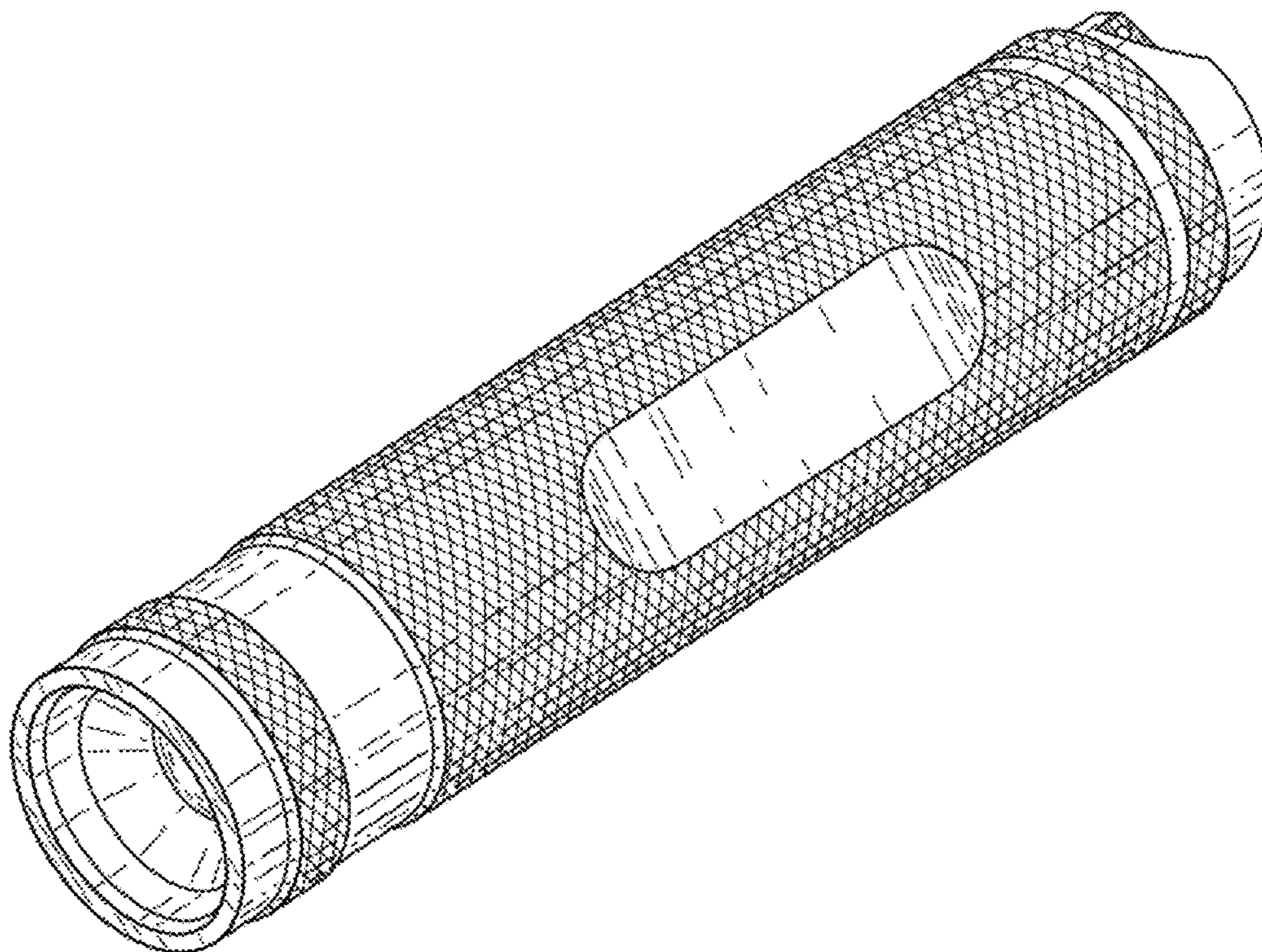
(57) **CLAIM**

I claim the ornamental design for a flashlight, as shown and described.

DESCRIPTION

FIG. 1 is a perspective view of an embodiment of the flashlight;
 FIG. 2 is a different perspective view of the flashlight illustrated in FIG. 1;
 FIG. 3 is a top view of the flashlight illustrated in FIG. 1;
 FIG. 4 is a bottom view of the flashlight illustrated in FIG. 1;
 FIG. 5 is a left side view of the flashlight illustrated in FIG. 1, the right side view being a mirror image of the left side view;
 FIG. 6 is an enlarged front view of the flashlight illustrated in FIG. 1; and,
 FIG. 7 is an enlarged rear view of the flashlight illustrated in FIG. 1.

1 Claim, 6 Drawing Sheets



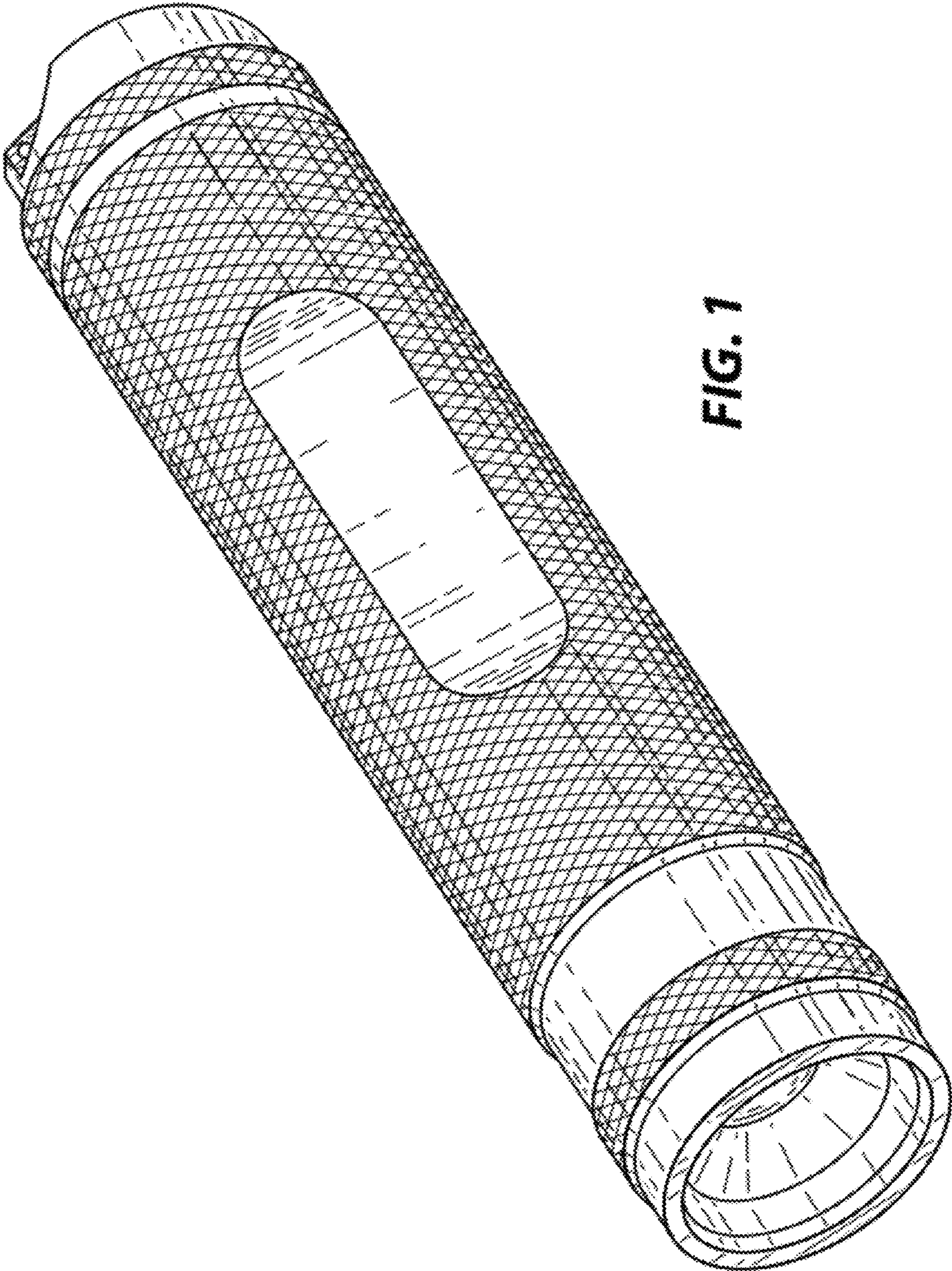


FIG. 1

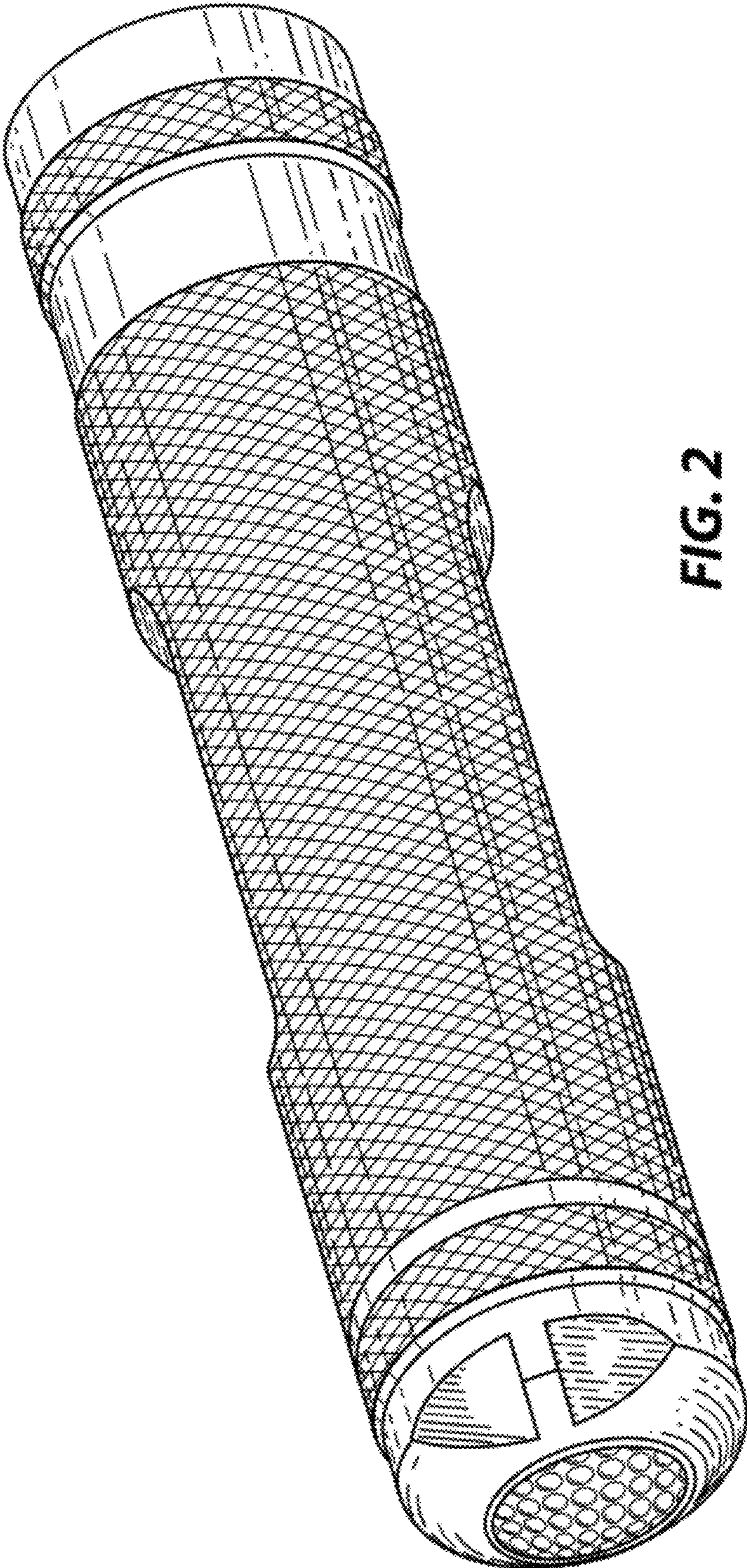


FIG. 2

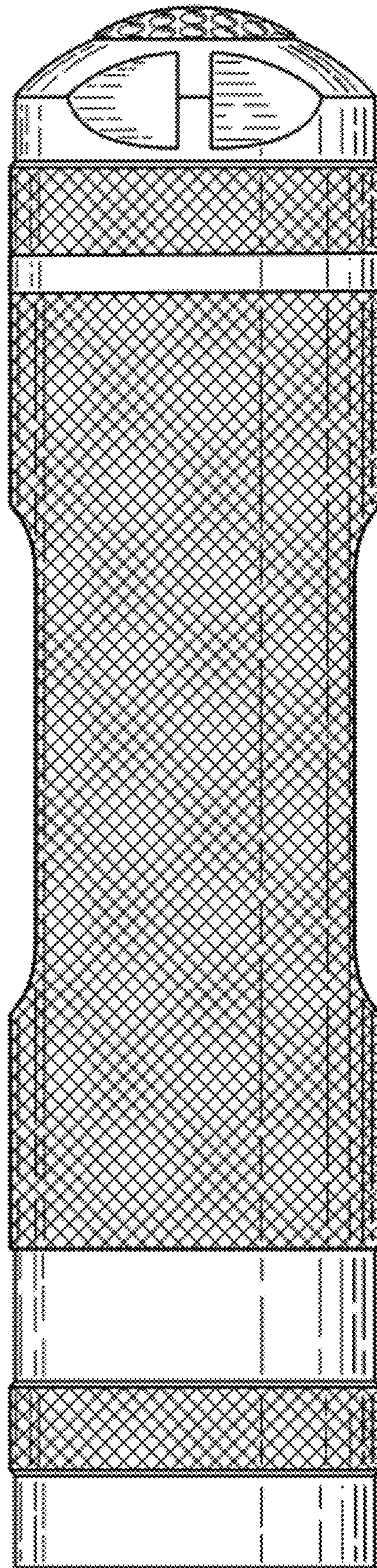


FIG. 3

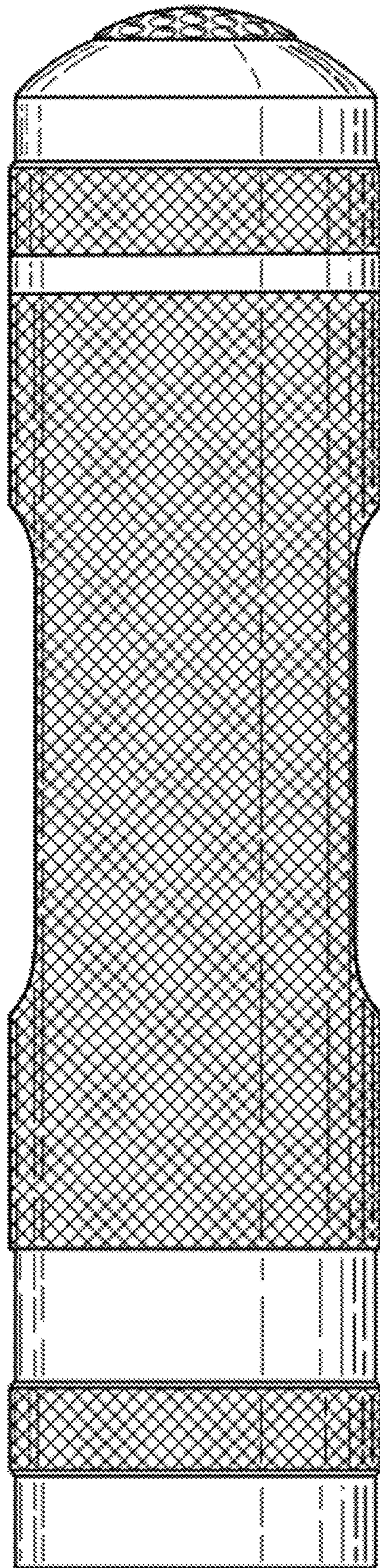


FIG. 4

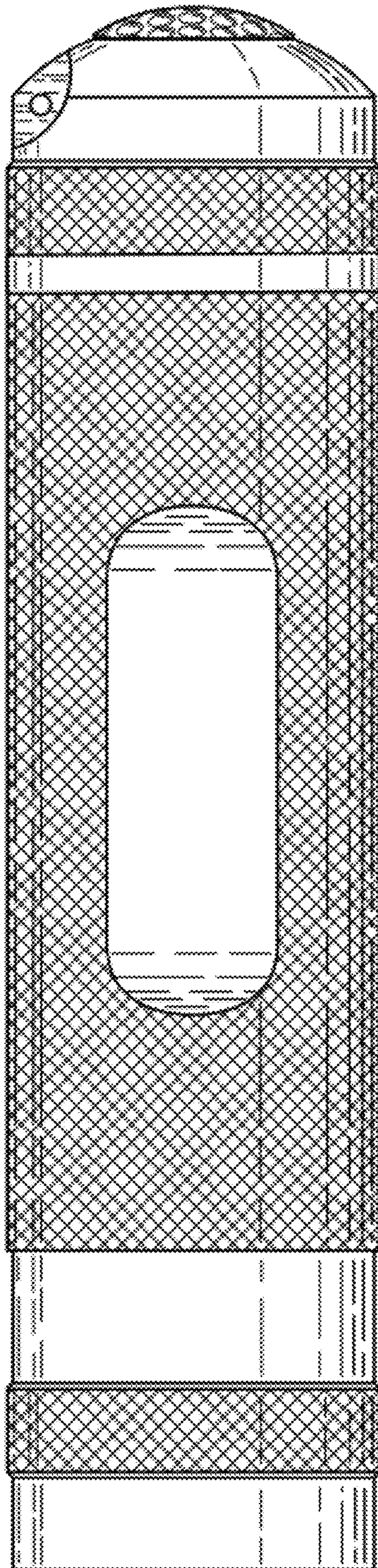


FIG. 5

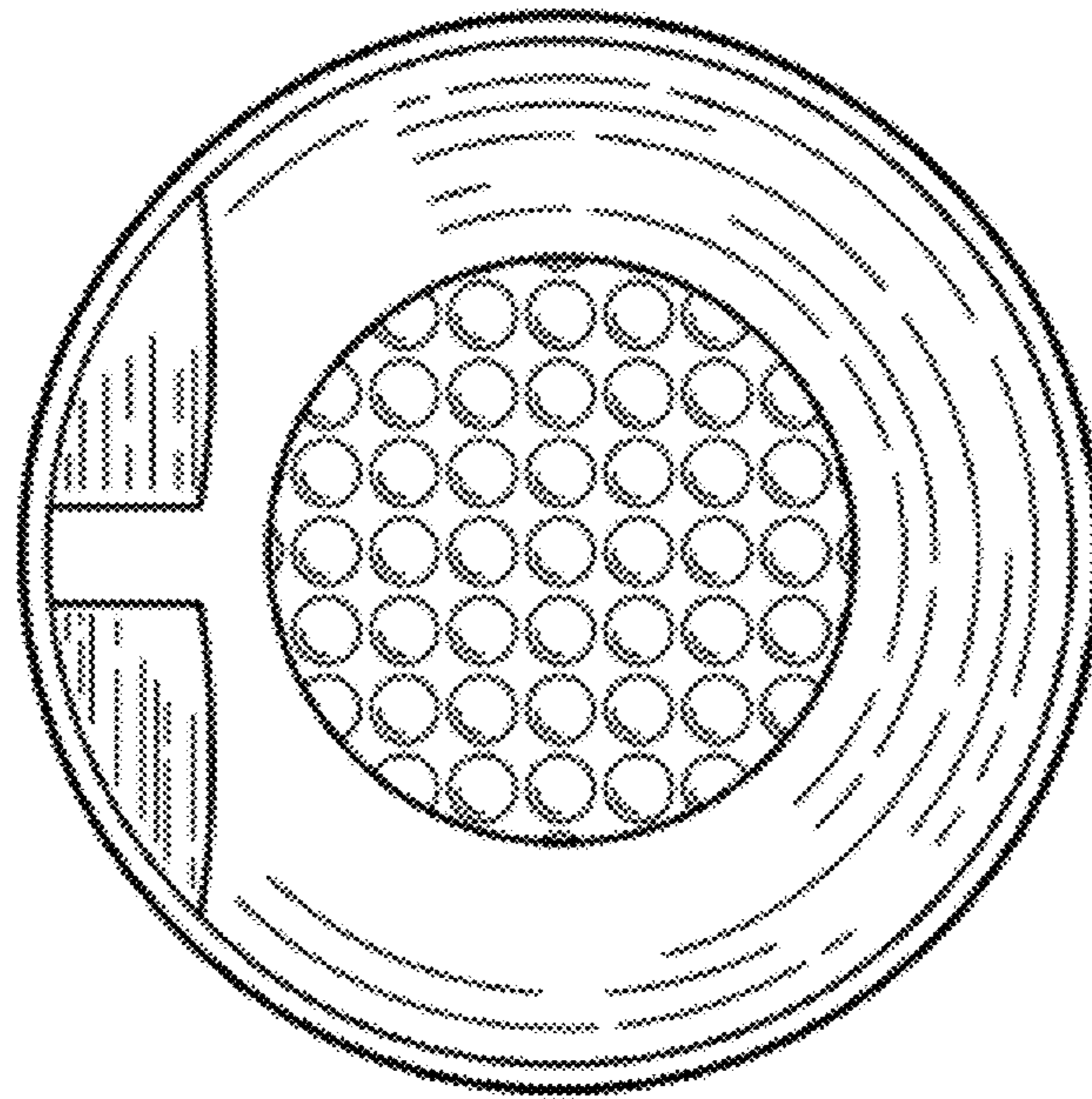


FIG. 7

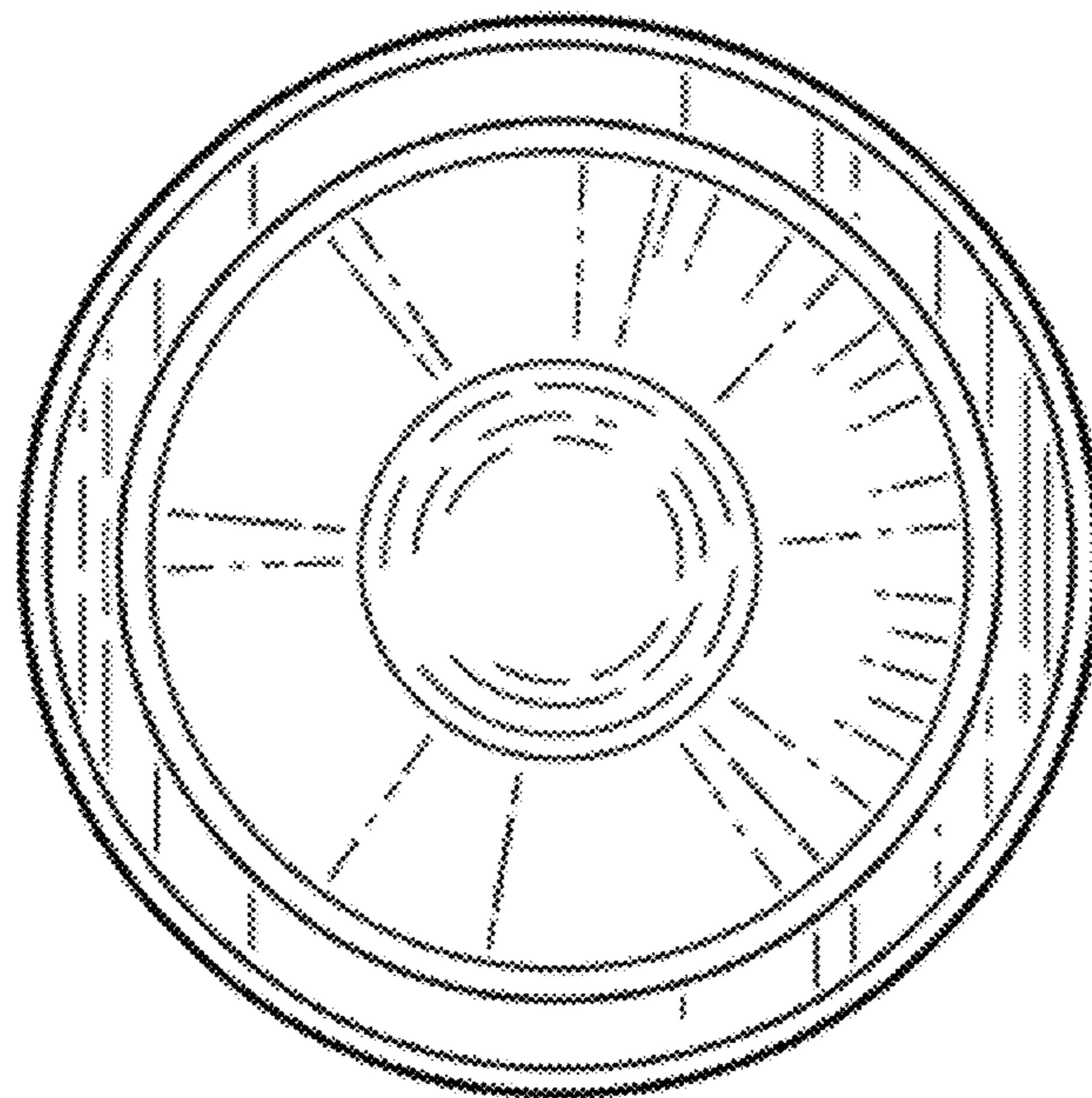


FIG. 6