



US00D675354S

(12) **United States Design Patent**
Sakai et al.

(10) **Patent No.:** **US D675,354 S**

(45) **Date of Patent:** **** Jan. 29, 2013**

(54) **HEADLAMP FOR A VEHICLE**

(75) Inventors: **Junichi Sakai**, Kanagawa (JP);
Tsuyoshi Kawashima, Kanagawa (JP);
Hisatugu Hirabayashi, Kanagawa (JP);
Kazunori Murabayashi, Tokyo (JP)

(73) Assignee: **Nissan Motor Co., Ltd.**, Yokohama (JP)

(**) Term: **14 Years**

(21) Appl. No.: **29/428,416**

(22) Filed: **Jul. 31, 2012**

(30) **Foreign Application Priority Data**

Feb. 28, 2012 (JP) 2012-004212

(51) **LOC (9) Cl.** **26-06**

(52) **U.S. Cl.** **D26/28**

(58) **Field of Classification Search** D26/28-36;
362/459-468, 475-478, 485-487

See application file for complete search history.

(56) **References Cited**

U.S. PATENT DOCUMENTS

D508,136 S *	8/2005	Pfeiffer	D26/28
D518,581 S *	4/2006	Osawa	D26/28
D528,231 S *	9/2006	Ikeda	D26/28
D535,409 S *	1/2007	Yamaguchi	D26/28
D544,614 S *	6/2007	Markefka	D26/28
D556,349 S *	11/2007	Golden et al.	D26/28
D561,358 S *	2/2008	Tachibana	D26/28

* cited by examiner

Primary Examiner — Marcus Jackson

(74) *Attorney, Agent, or Firm* — Global IP Counselors, LLP

(57) **CLAIM**

The ornamental design for a headlamp for a vehicle, as shown and described.

DESCRIPTION

FIG. 1 is a front elevational view of a headlamp for a vehicle in accordance with a first embodiment of our new design; FIG. 2 is a rear elevational view of the head lamp in accordance with the first embodiment of our new design of FIG. 1; FIG. 3 is a top plan view of the head lamp in accordance with the first embodiment of our new design of FIGS. 1 and 2; FIG. 4 is a bottom plan view of the head lamp in accordance with the first embodiment of our new design of FIGS. 1 to 3; FIG. 5 is a left side elevational view of the head lamp in accordance with the first embodiment of our new design of FIGS. 1 to 4;

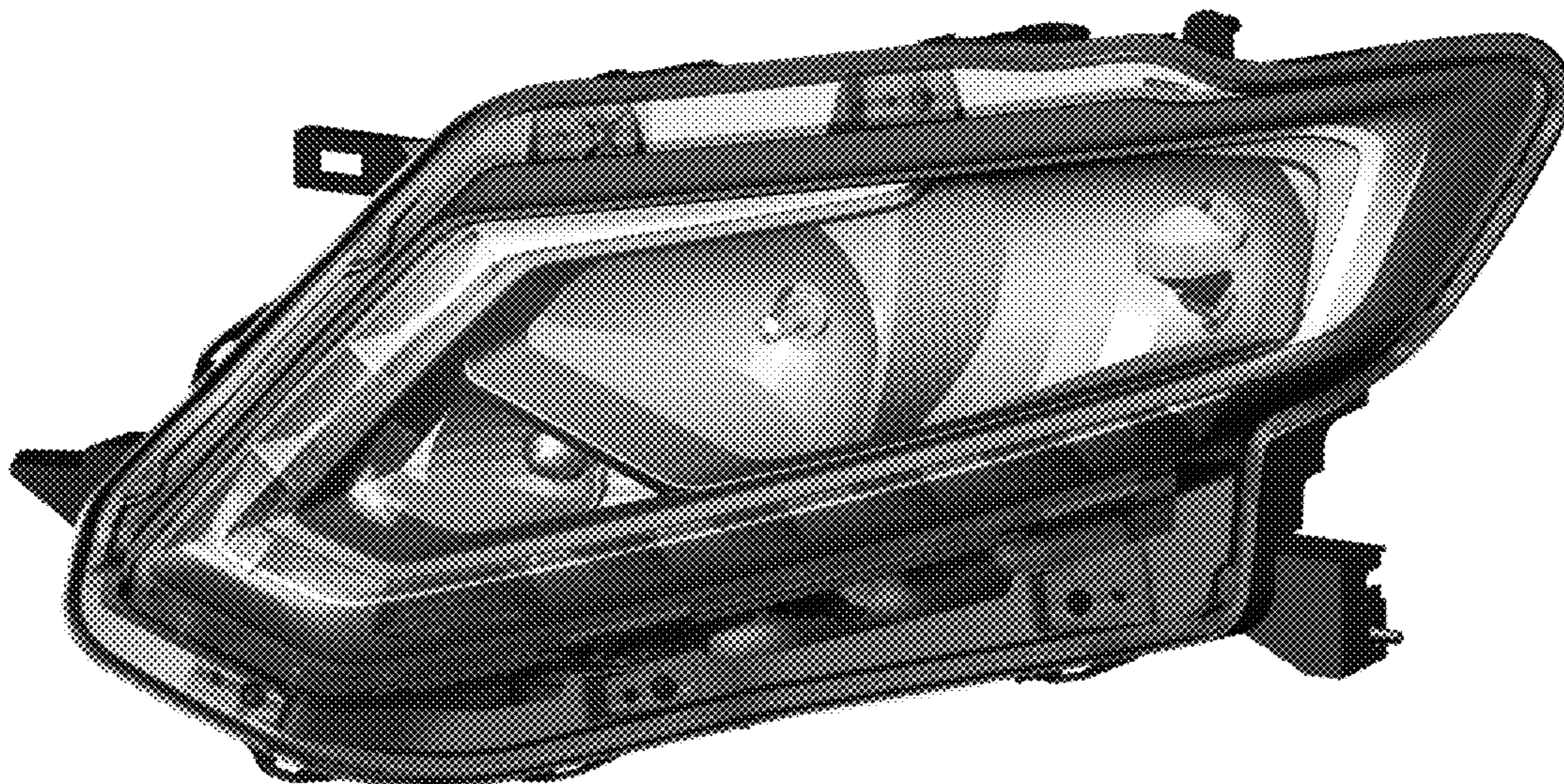
FIG. 6 is a right side elevational view of the head lamp in accordance with the first embodiment of our new design of FIGS. 1 to 5; and,

FIG. 7 is a front side perspective view of the head lamp in accordance with the first embodiment of our new design of FIGS. 1 to 6.

A second embodiment of our new design is identical to the first embodiment except that the rear elevational view of FIG. 2, the bottom plan view of FIG. 4, and the left side elevational view of FIG. 5 form no part of the claimed design. In addition, in the second embodiment, the appearance of the rear side structure of the head lamp as seen in FIGS. 1, 3, 6 and 7 is for purpose of illustrating the boundaries of the exterior surface of the front side of the head lamp, and forms no part of the claimed design.

Our new design includes the mirror image of the head lamp shown in FIGS. 1 to 7.

1 Claim, 7 Drawing Sheets



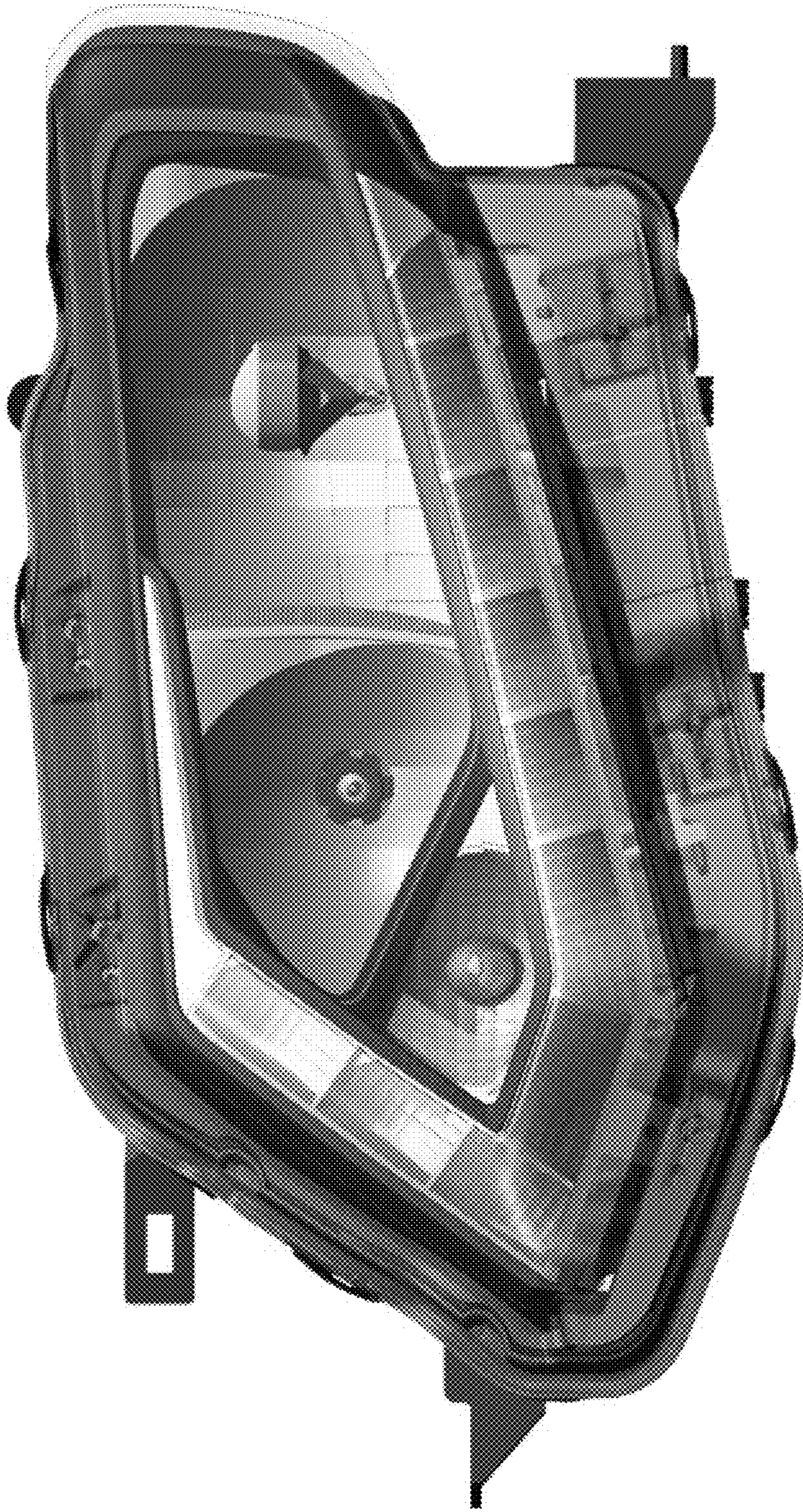


FIG. 1

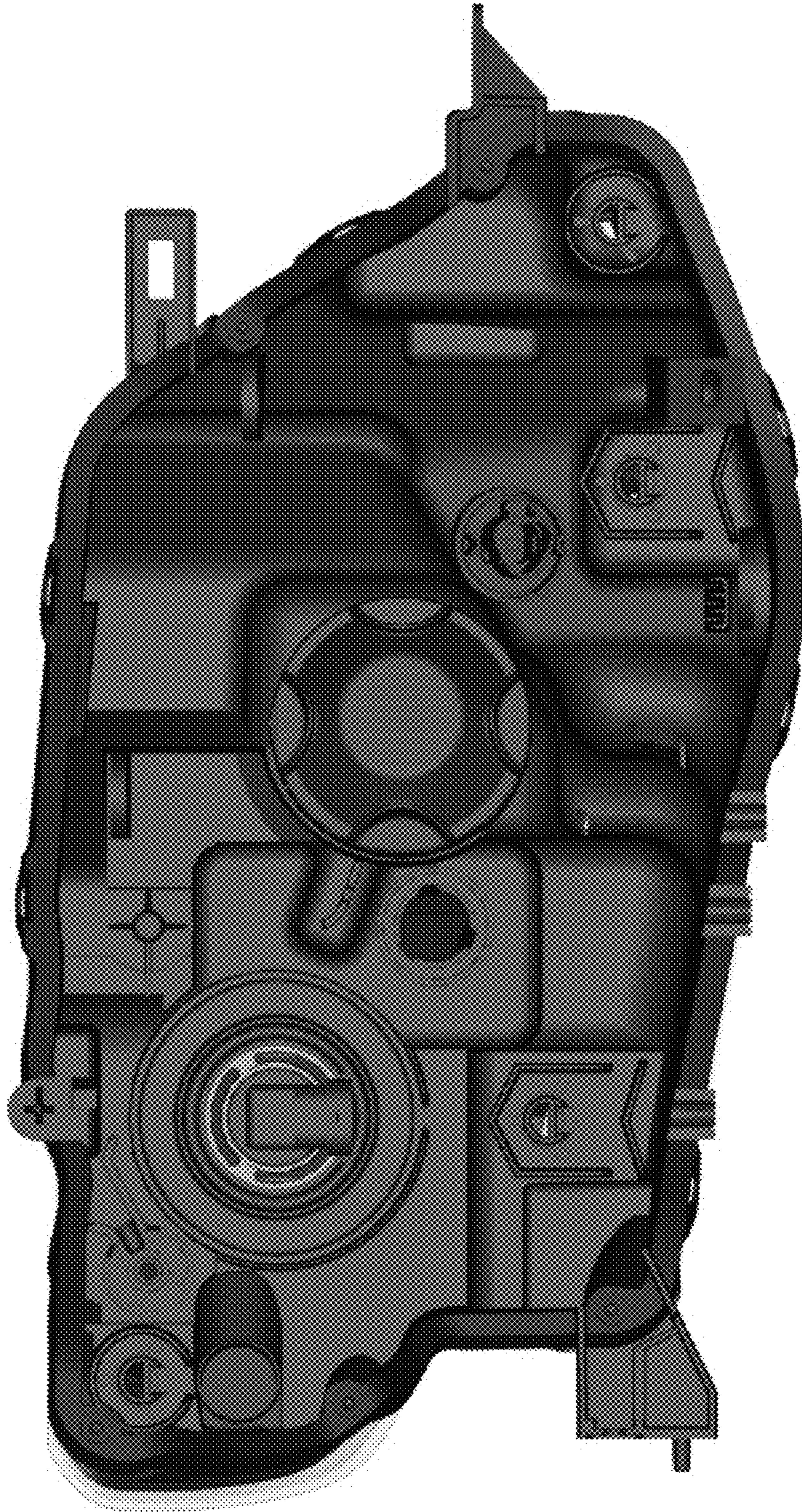


FIG. 2



FIG. 3

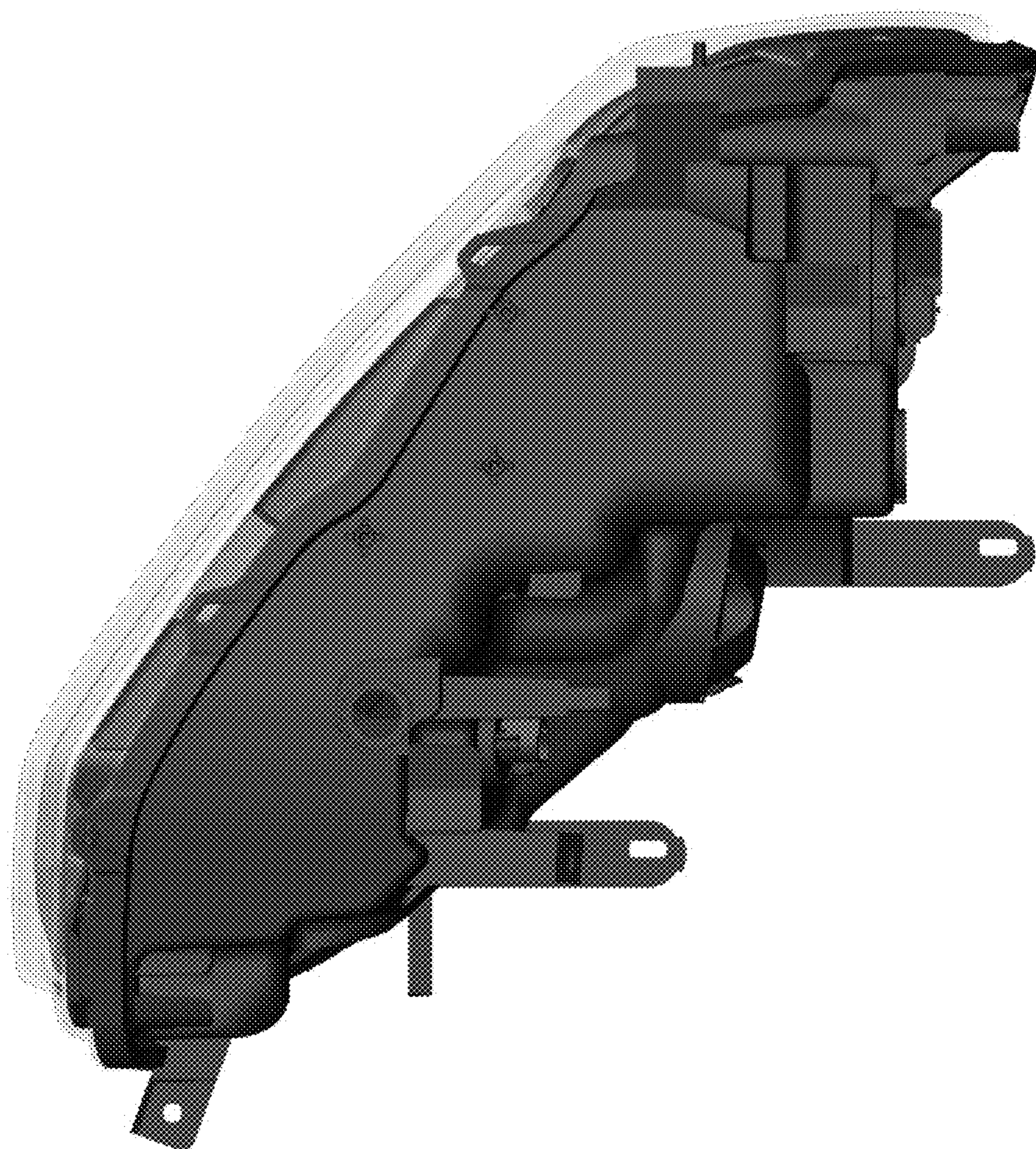


FIG. 4

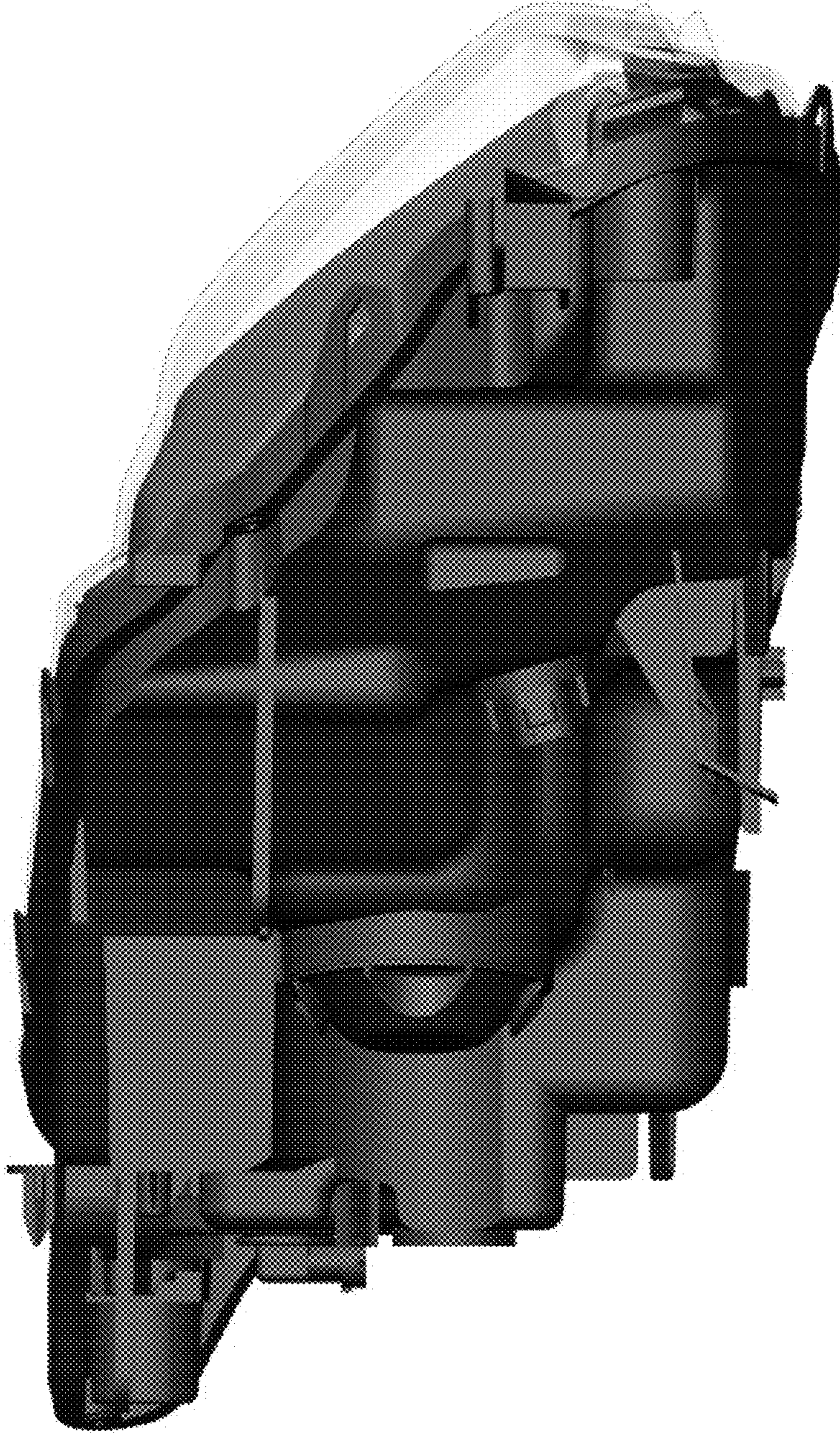


FIG. 5

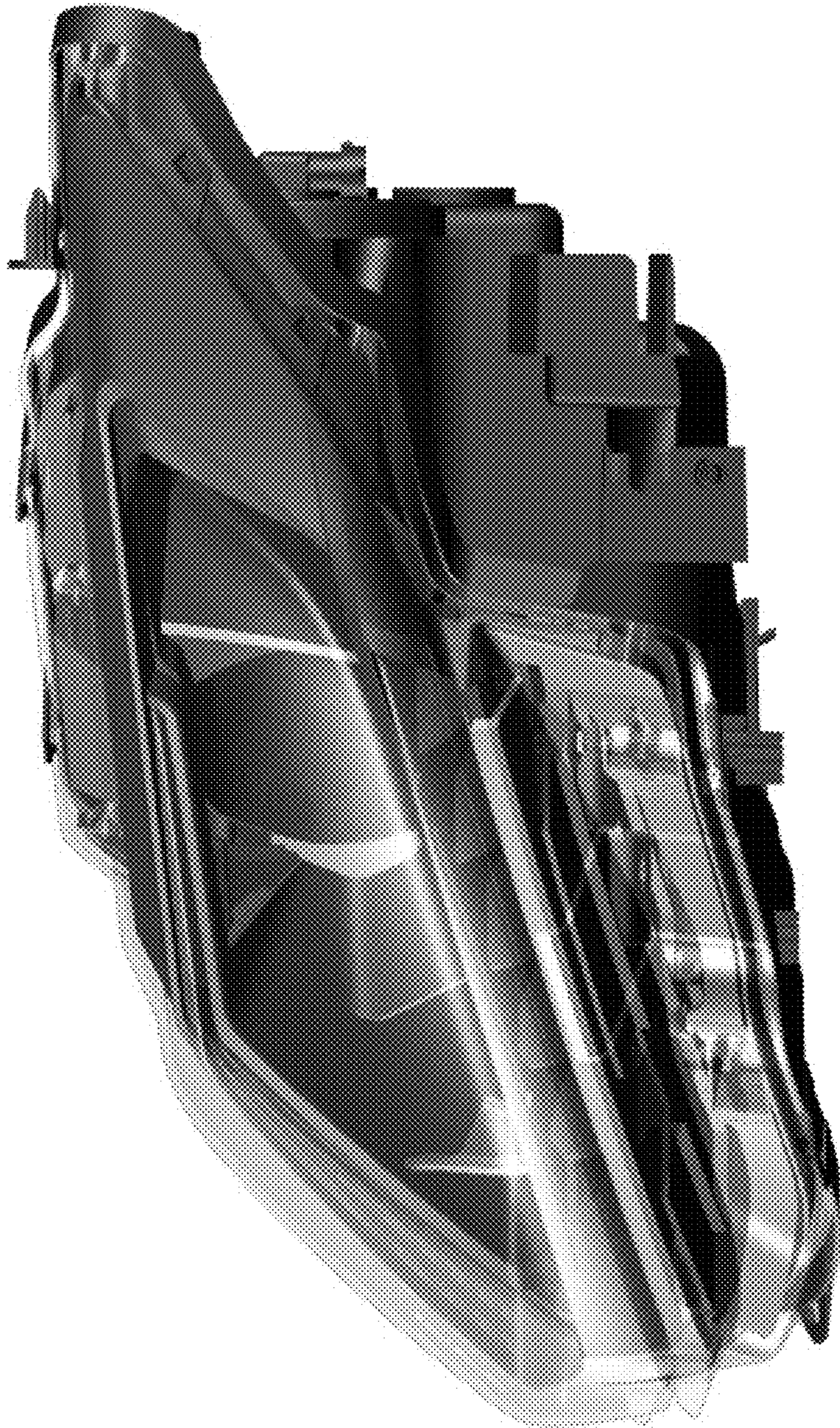


FIG. 6



FIG. 7