



US00D675350S

(12) **United States Design Patent**
Zhang

(10) **Patent No.:** **US D675,350 S**

(45) **Date of Patent:** **** Jan. 29, 2013**

(54) **LED LAMP**

Primary Examiner — Marcus Jackson

(75) **Inventor:** **Sumin Zhang**, Guangdong (CN)

(74) *Attorney, Agent, or Firm* — Dovas Law, P.C.

(73) **Assignee:** **Smalux Electrical Mfg. Ltd.**, Shenzhen (CN)

(57) **CLAIM**

The ornamental design for a LED lamp, as shown and described.

(**) **Term:** **14 Years**

(21) **Appl. No.:** **29/417,079**

DESCRIPTION

(22) **Filed:** **Mar. 29, 2012**

(30) **Foreign Application Priority Data**

Sep. 30, 2011 (CN) 2011 3 0349579

(51) **LOC (9) Cl.** **26-04**

(52) **U.S. Cl.** **D26/2**

(58) **Field of Classification Search** D26/1-4;
313/313, 315, 316, 317, 318, 493; 315/52,
315/53, 56, 57, 58

See application file for complete search history.

FIG. 1 is a front elevational view of an LED lamp showing a first preferred embodiment of my new design;

FIG. 2 is a rear elevational view of the LED lamp of FIG. 1; FIG. 3 is a left side elevational view of the LED lamp of FIG. 1;

FIG. 4 is a right side elevational view of the LED lamp of FIG. 1;

FIG. 5 is a top plan view of the LED lamp of FIG. 1;

FIG. 6 is a bottom plan view of the LED lamp of FIG. 1;

FIG. 7 is a perspective view of the LED lamp of FIG. 1;

FIG. 8 is a front elevational view of an LED lamp showing a second preferred embodiment of my new design;

FIG. 9 is a rear elevational view of the LED lamp of FIG. 8;

FIG. 10 is a left side elevational view of the LED lamp of FIG. 8;

FIG. 11 is a right side elevational view of the LED lamp of FIG. 8;

FIG. 12 is a top plan view of the LED lamp of FIG. 8;

FIG. 13 is a bottom plan view of the LED lamp of FIG. 8; and,

FIG. 14 is a perspective view of the LED lamp of FIG. 8.

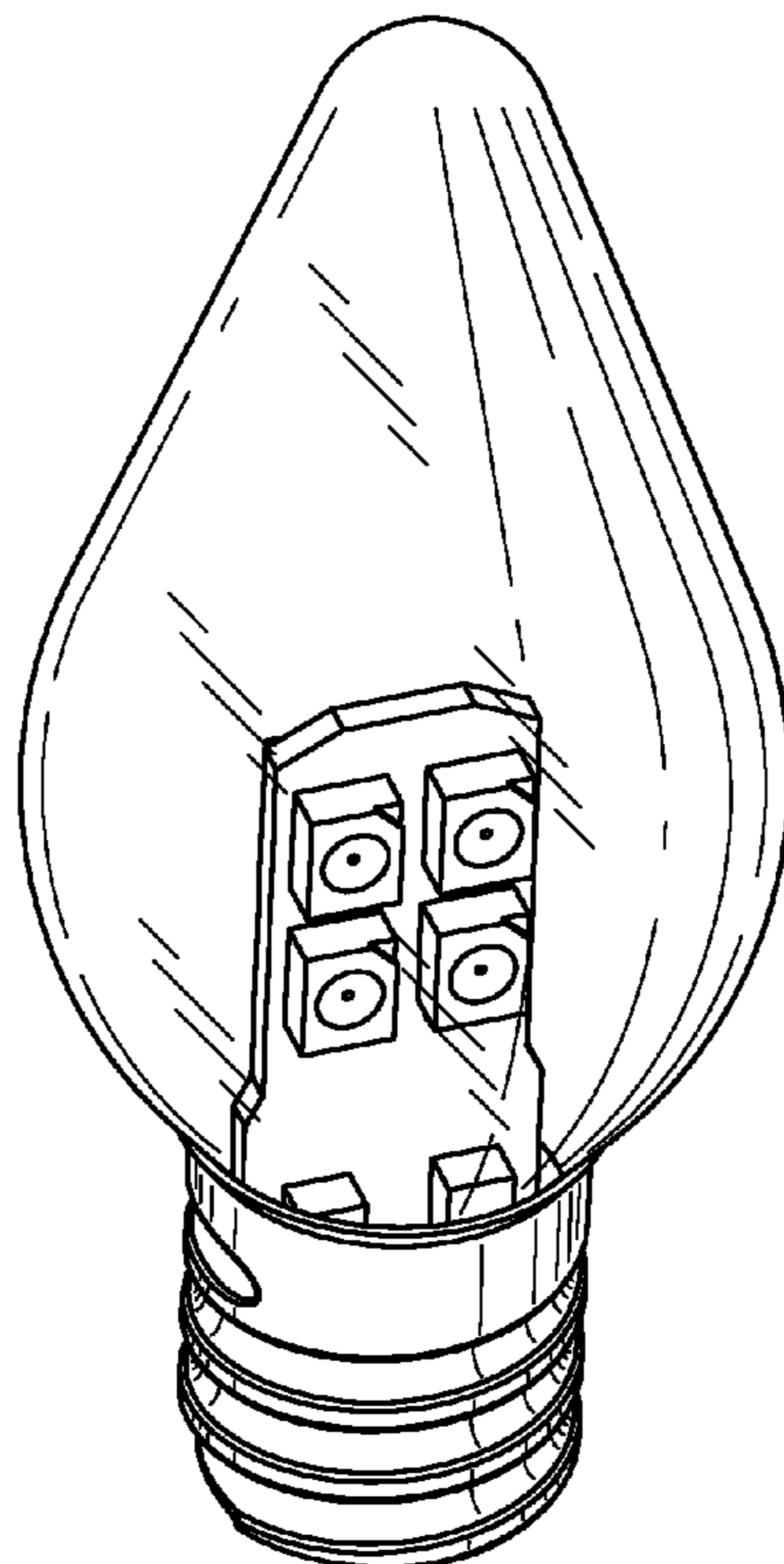
(56) **References Cited**

U.S. PATENT DOCUMENTS

D543,288 S *	5/2007	Bembridge	D26/2
D544,109 S *	6/2007	Tsuruha et al.	D26/2
D558,904 S *	1/2008	Tsuruha et al.	D26/2
D579,130 S *	10/2008	Hernandez et al.	D26/2
D600,368 S *	9/2009	Bertram et al.	D26/2
D610,272 S *	2/2010	Guo et al.	D26/2

* cited by examiner

1 Claim, 14 Drawing Sheets



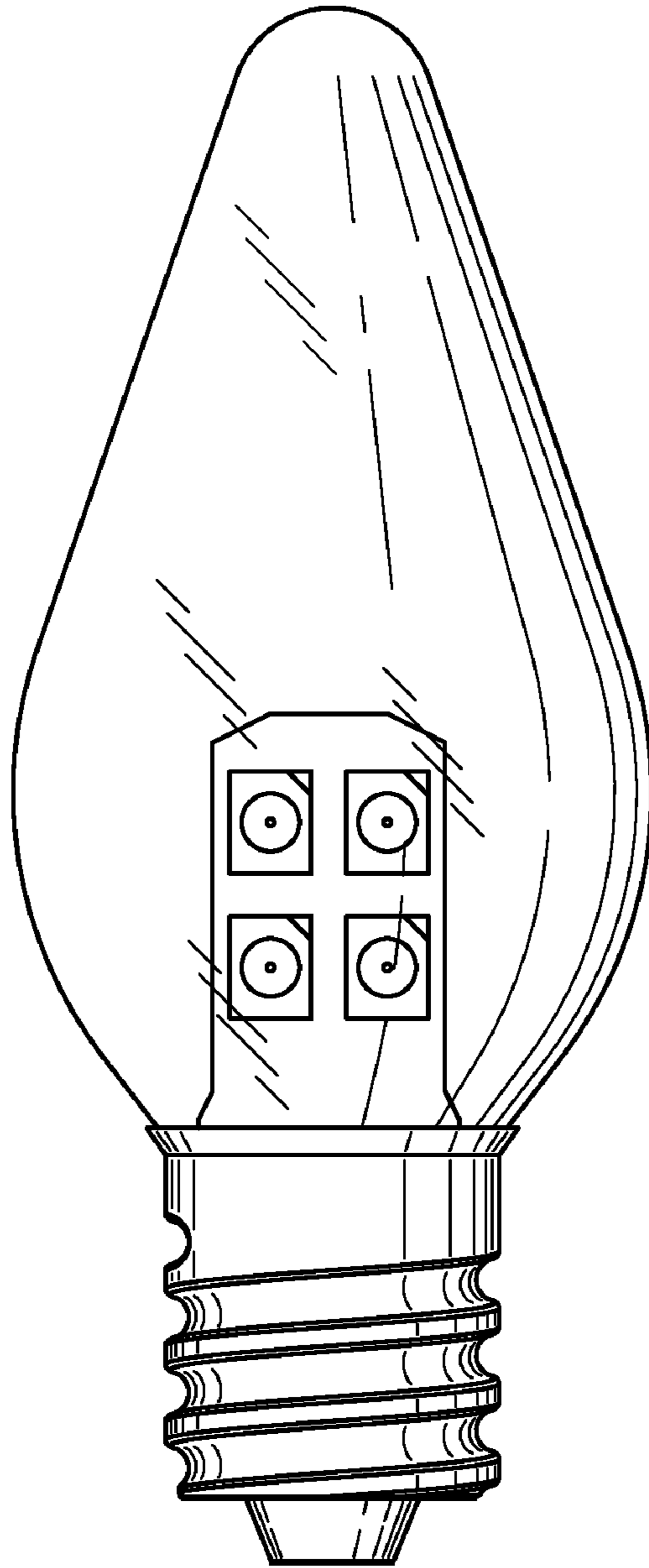


FIG. 1

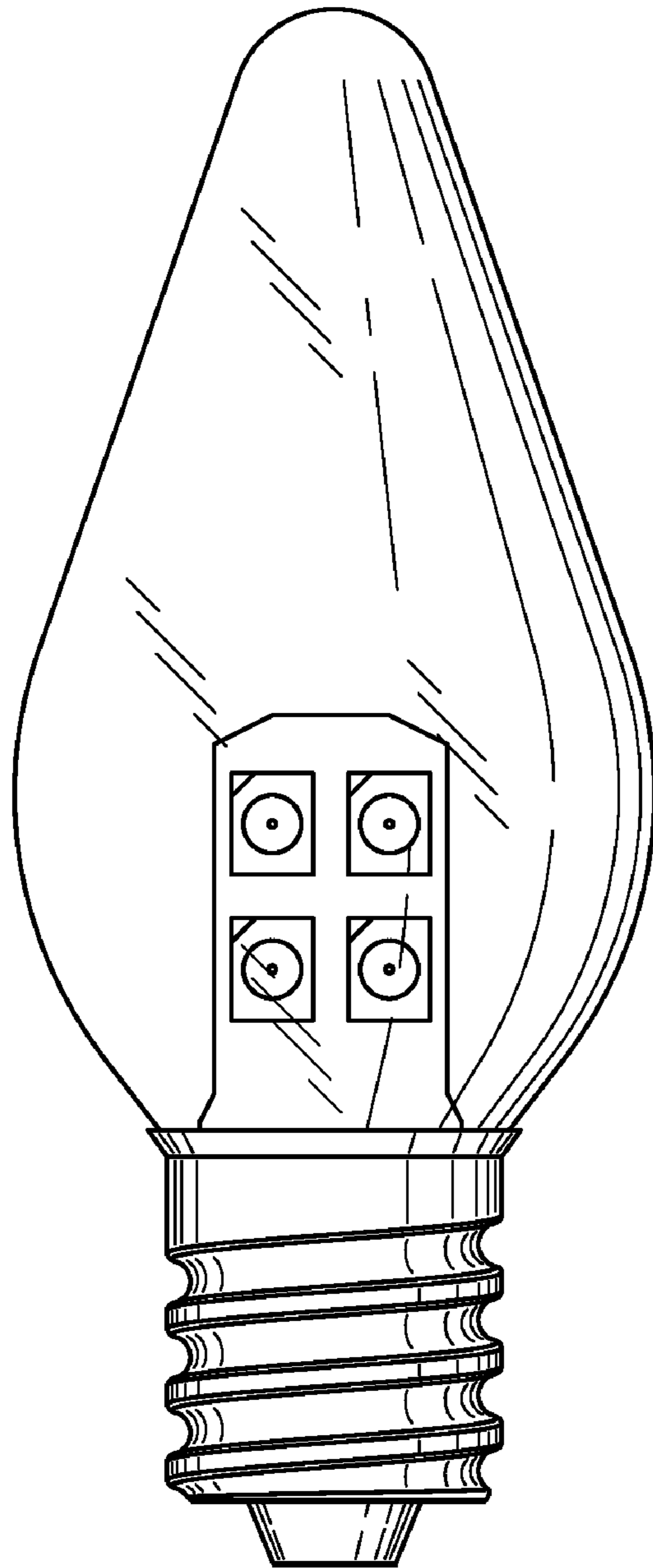


FIG. 2

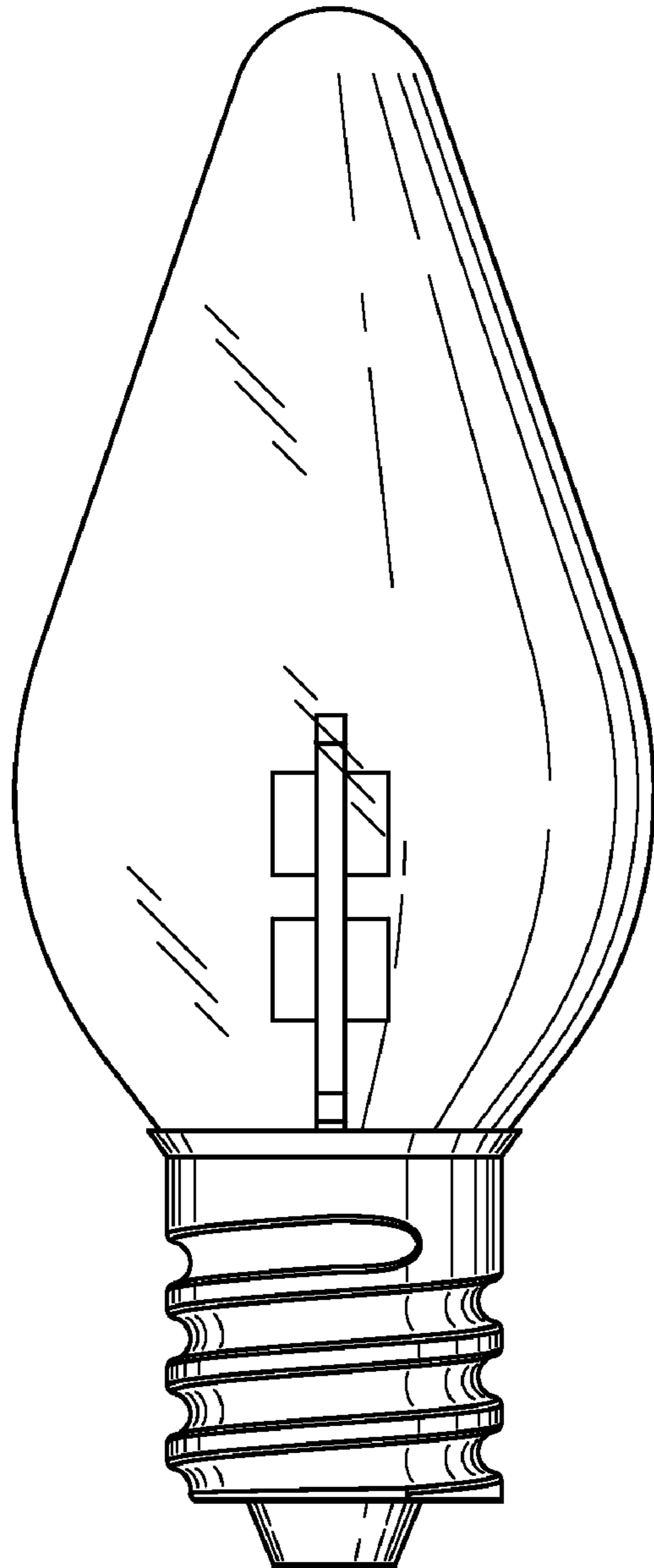


FIG. 3

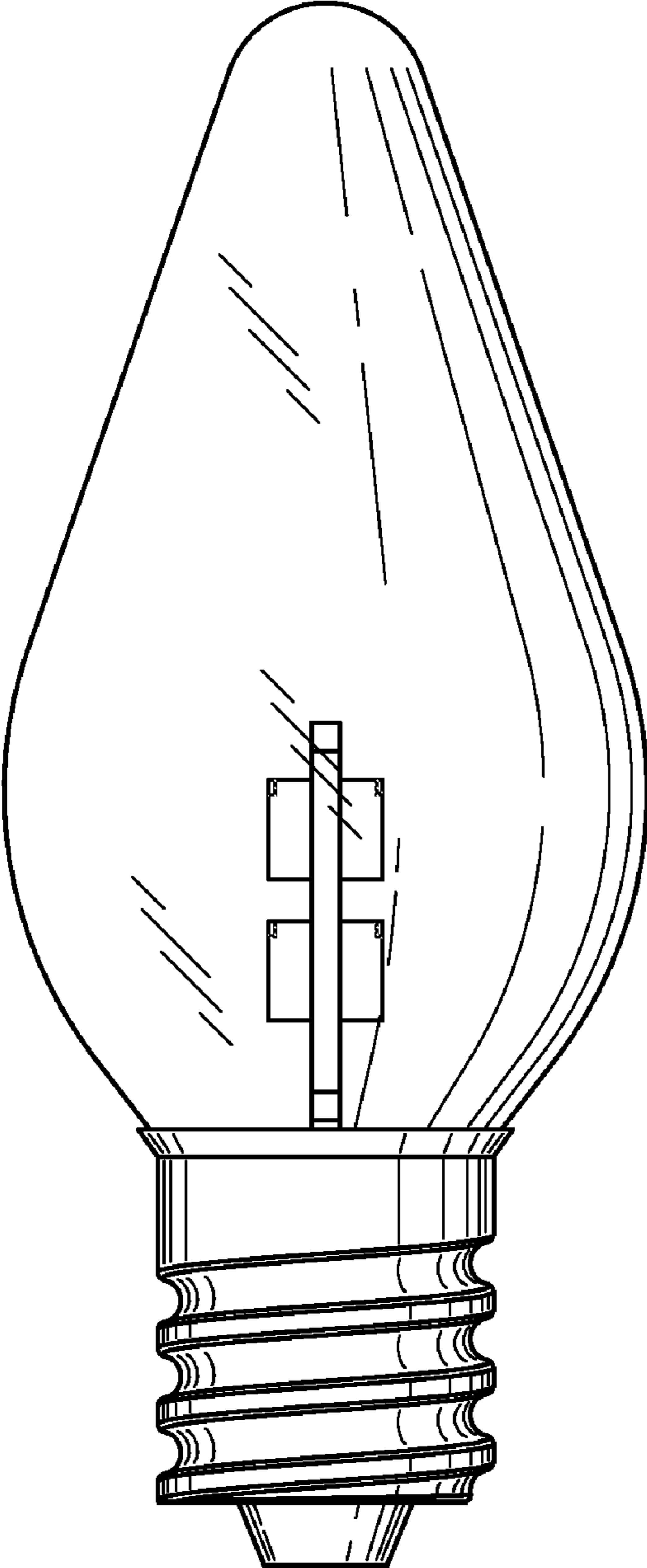


FIG. 4

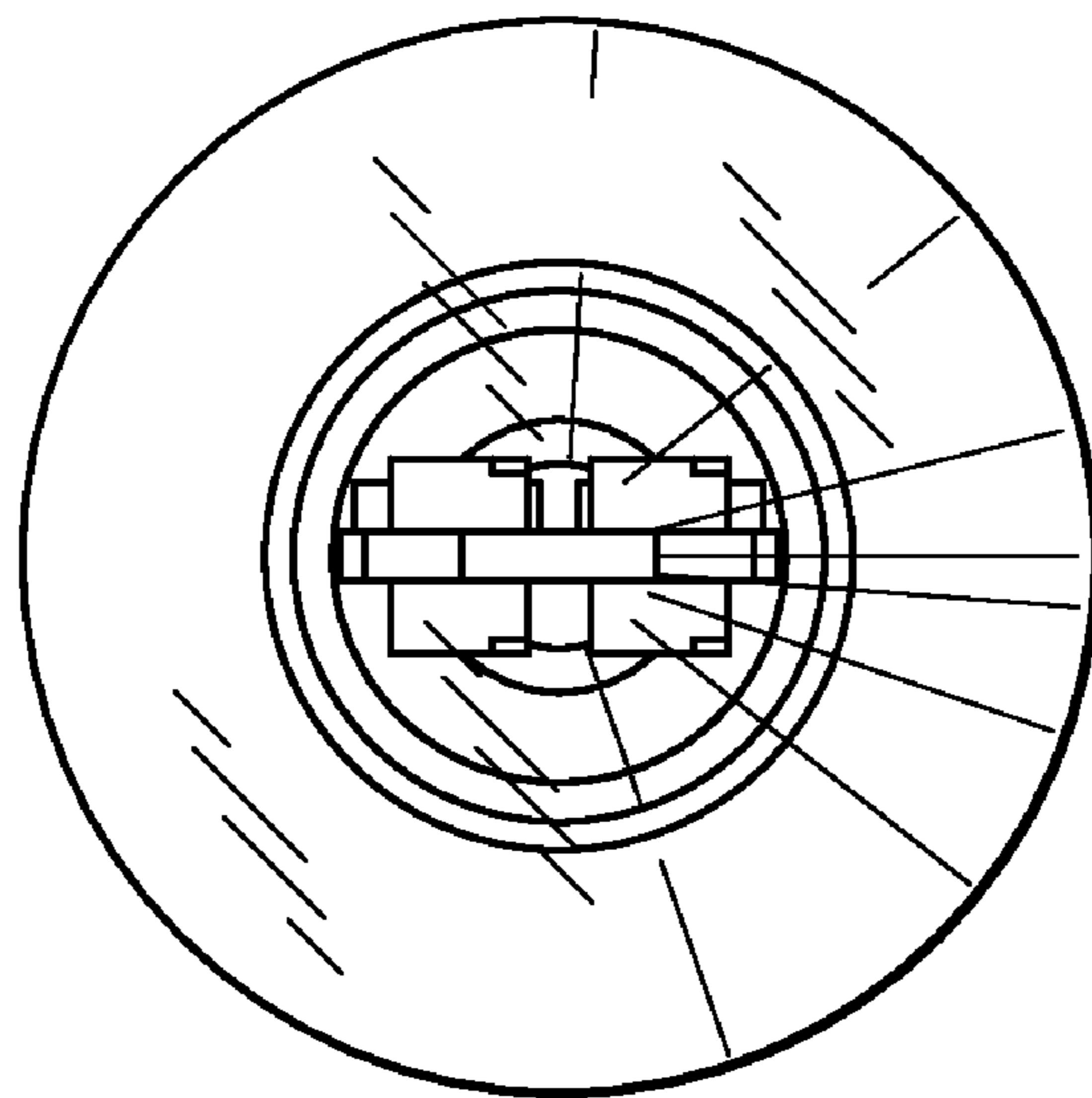


FIG. 5

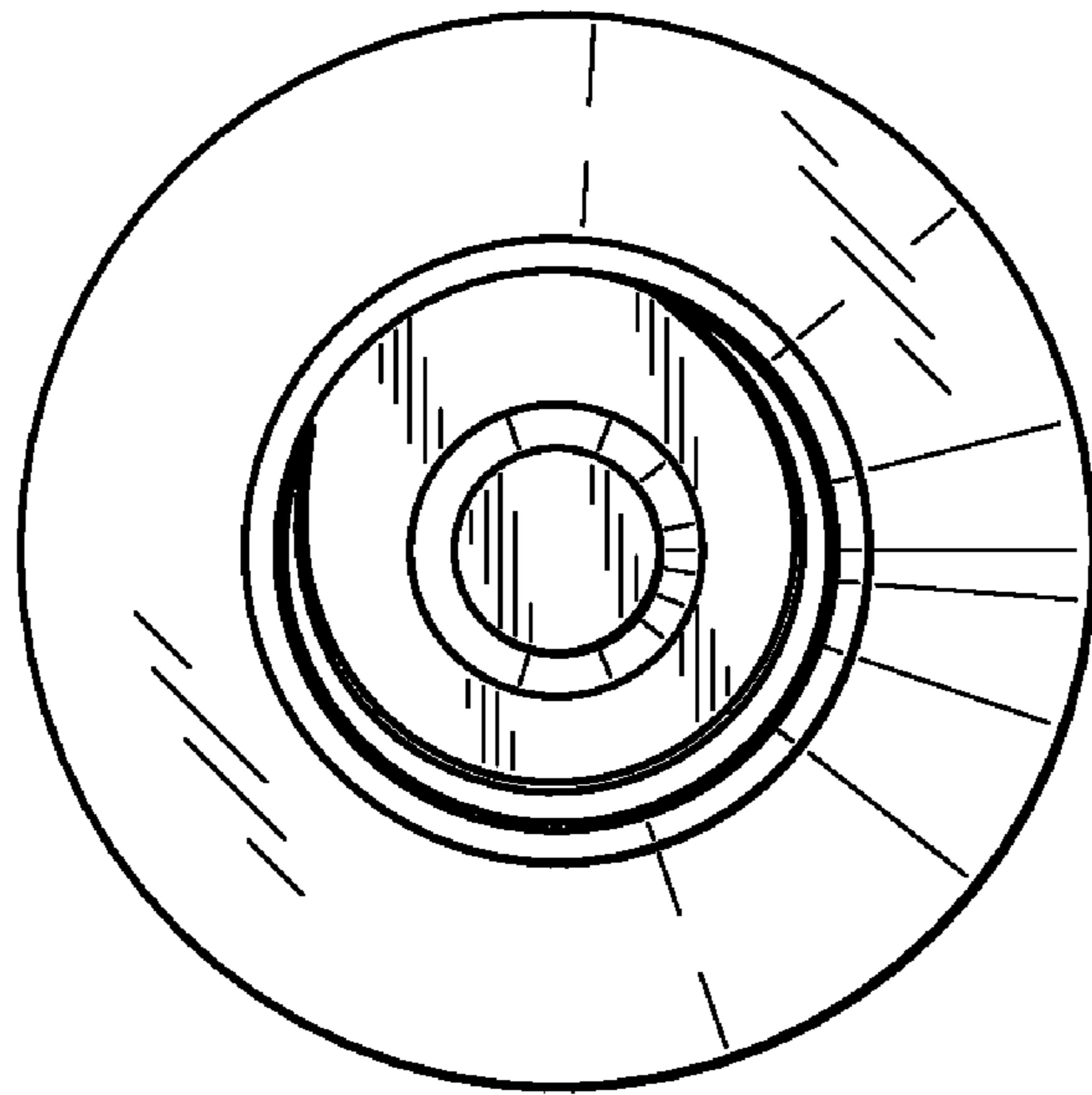


FIG. 6

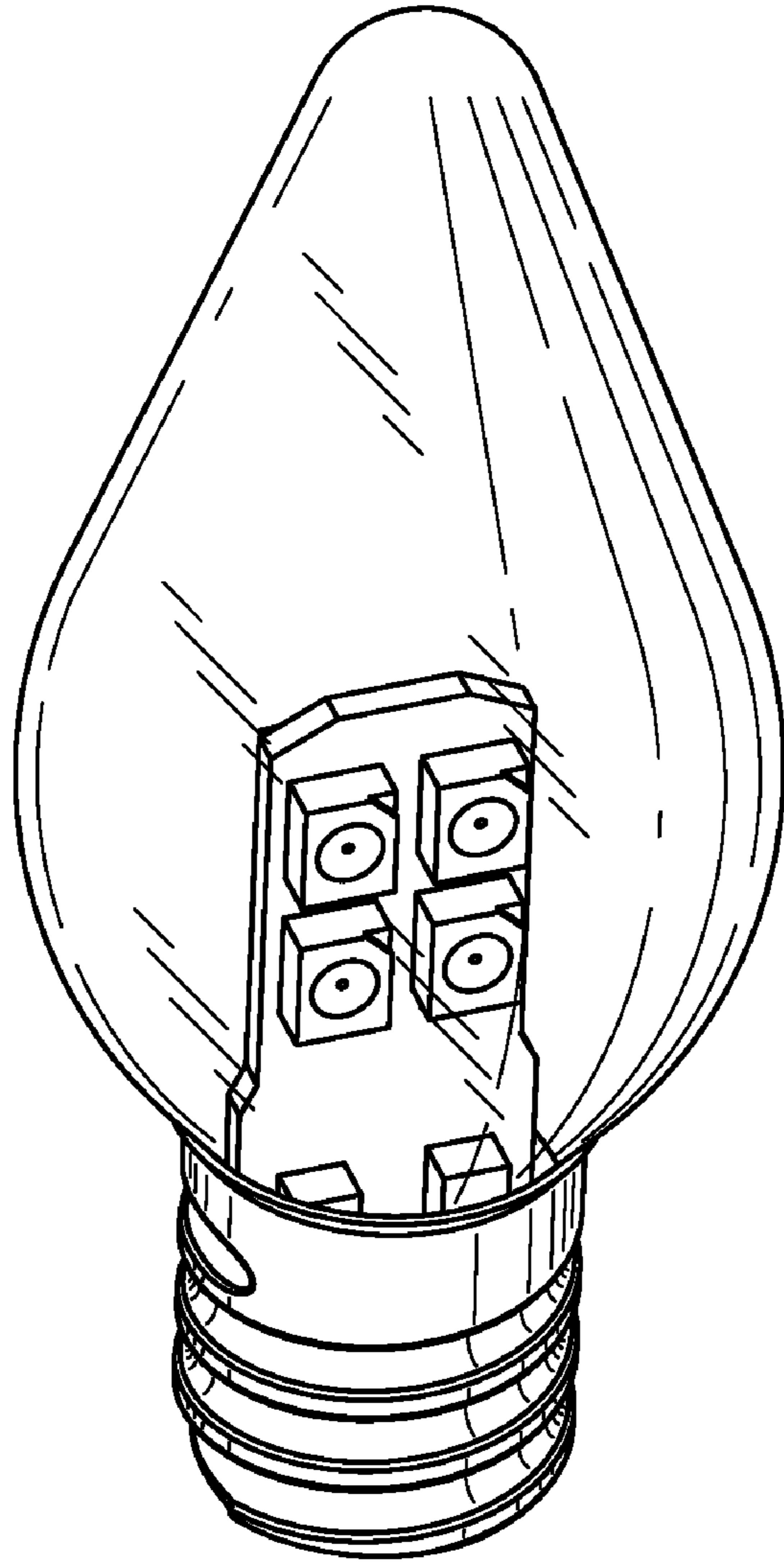


FIG. 7

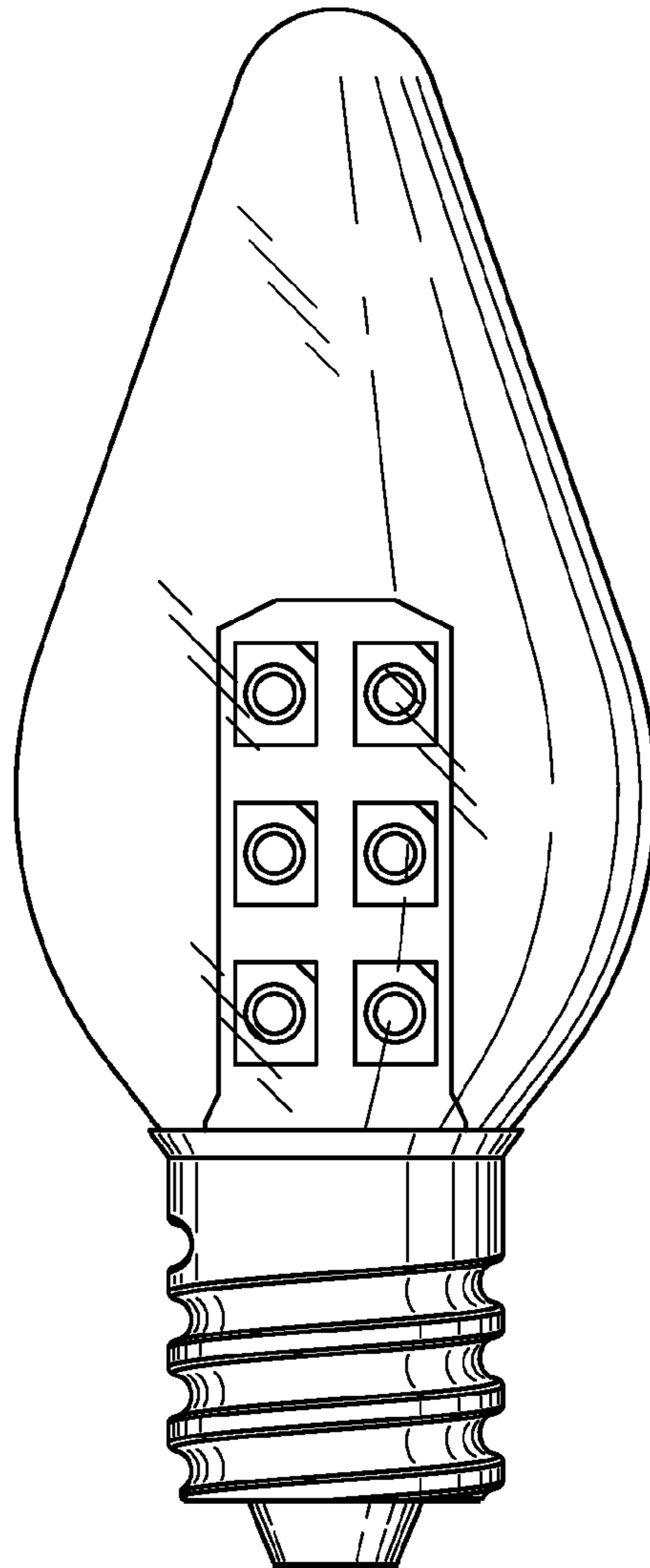


FIG. 8

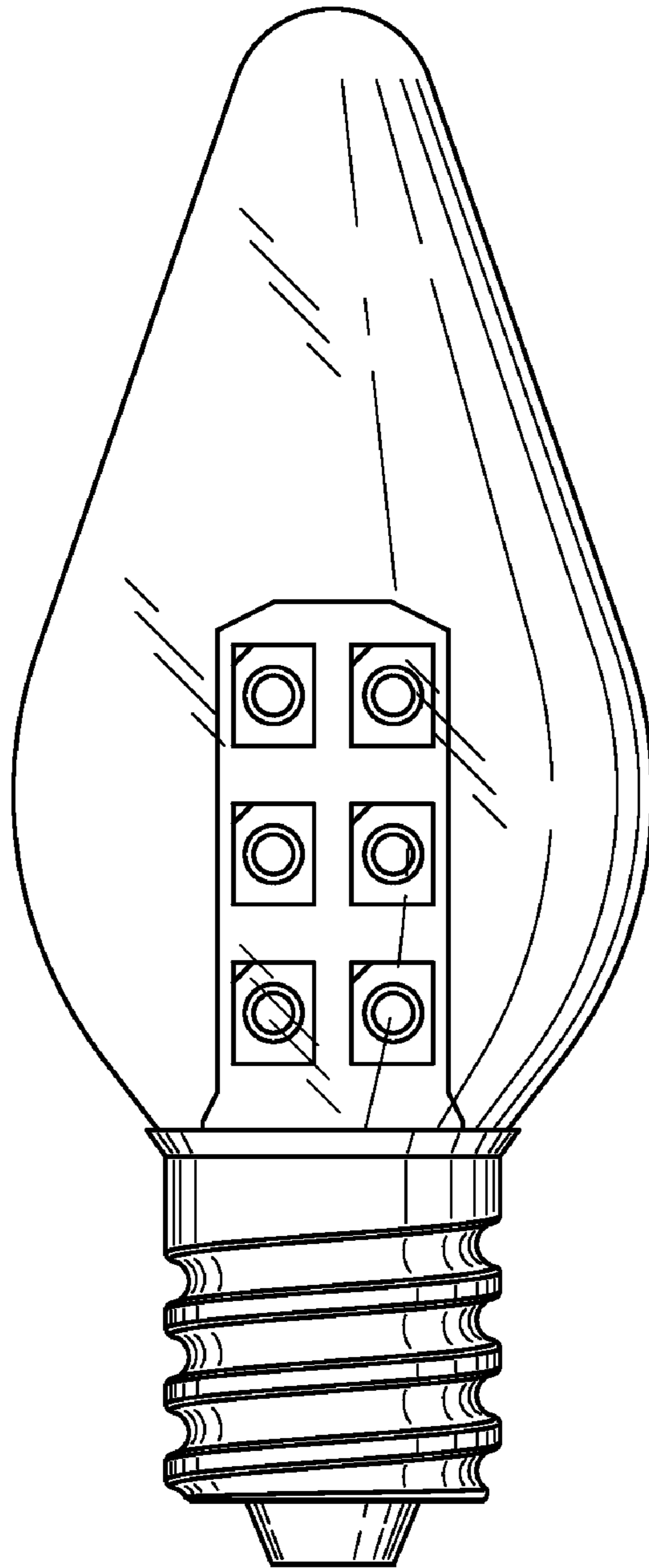


FIG. 9

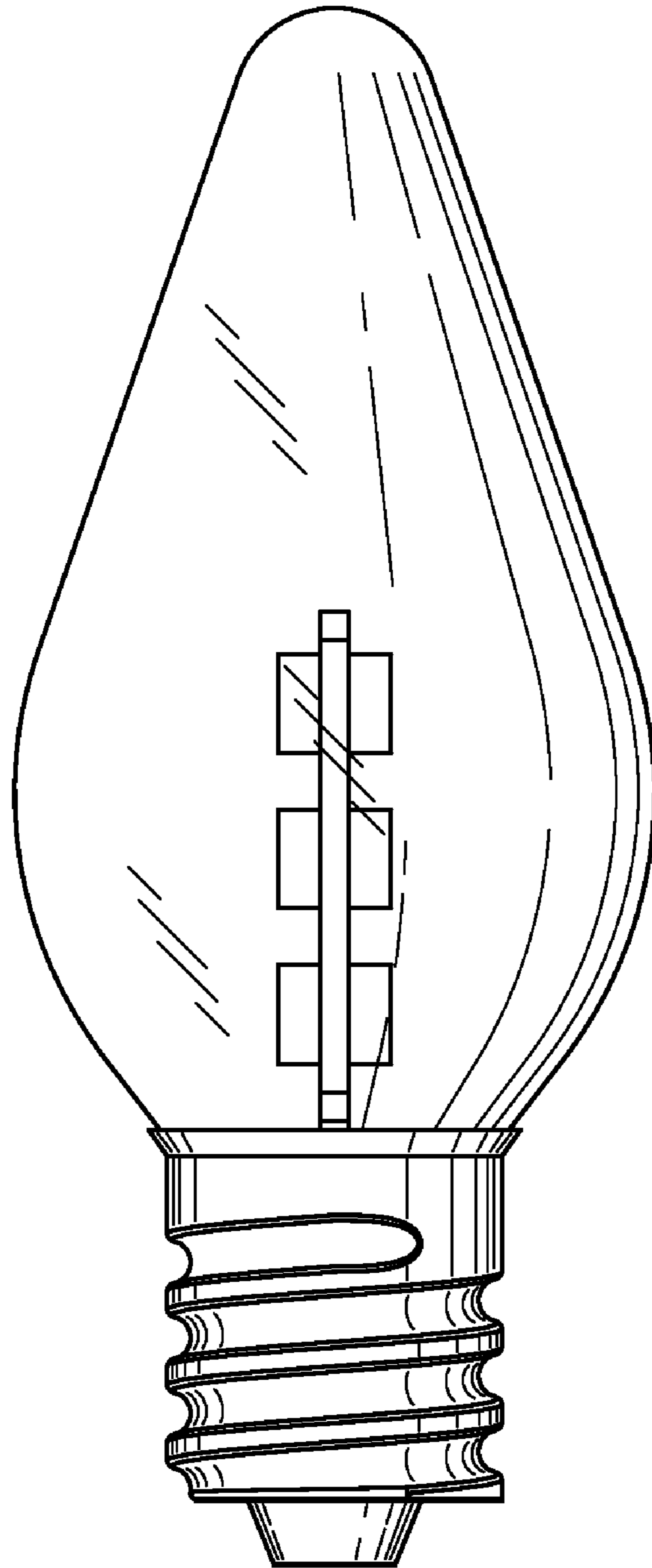


FIG. 10

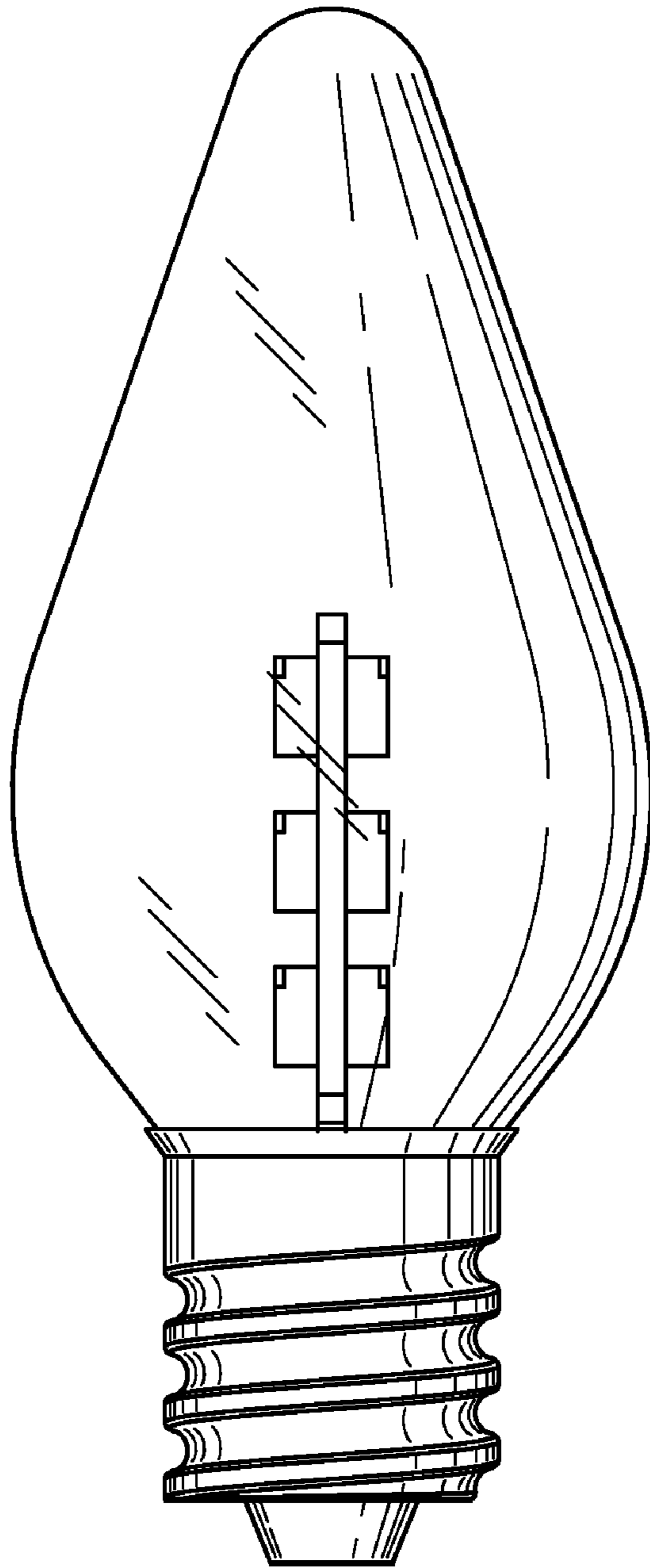


FIG. II

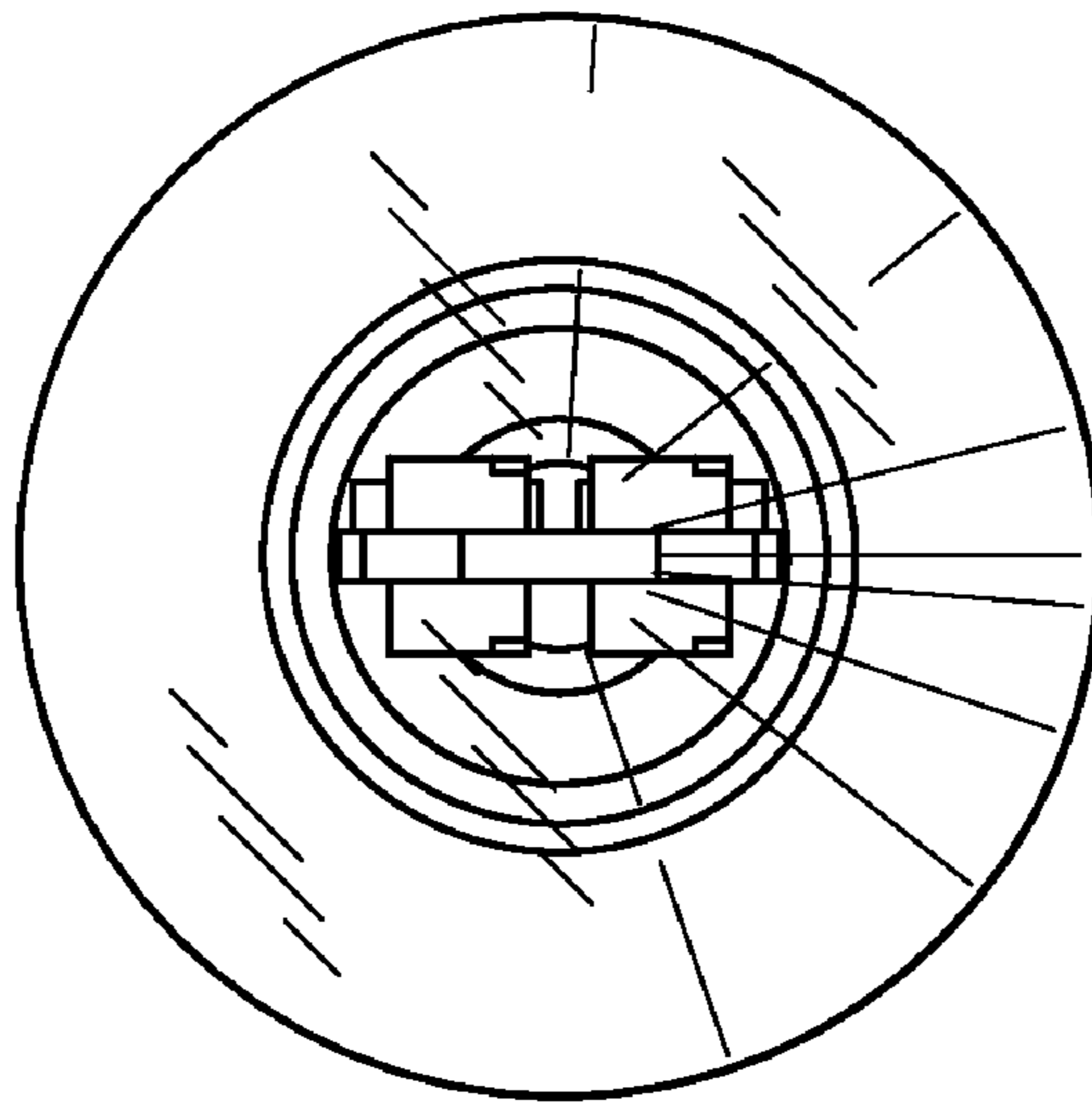


FIG. 12

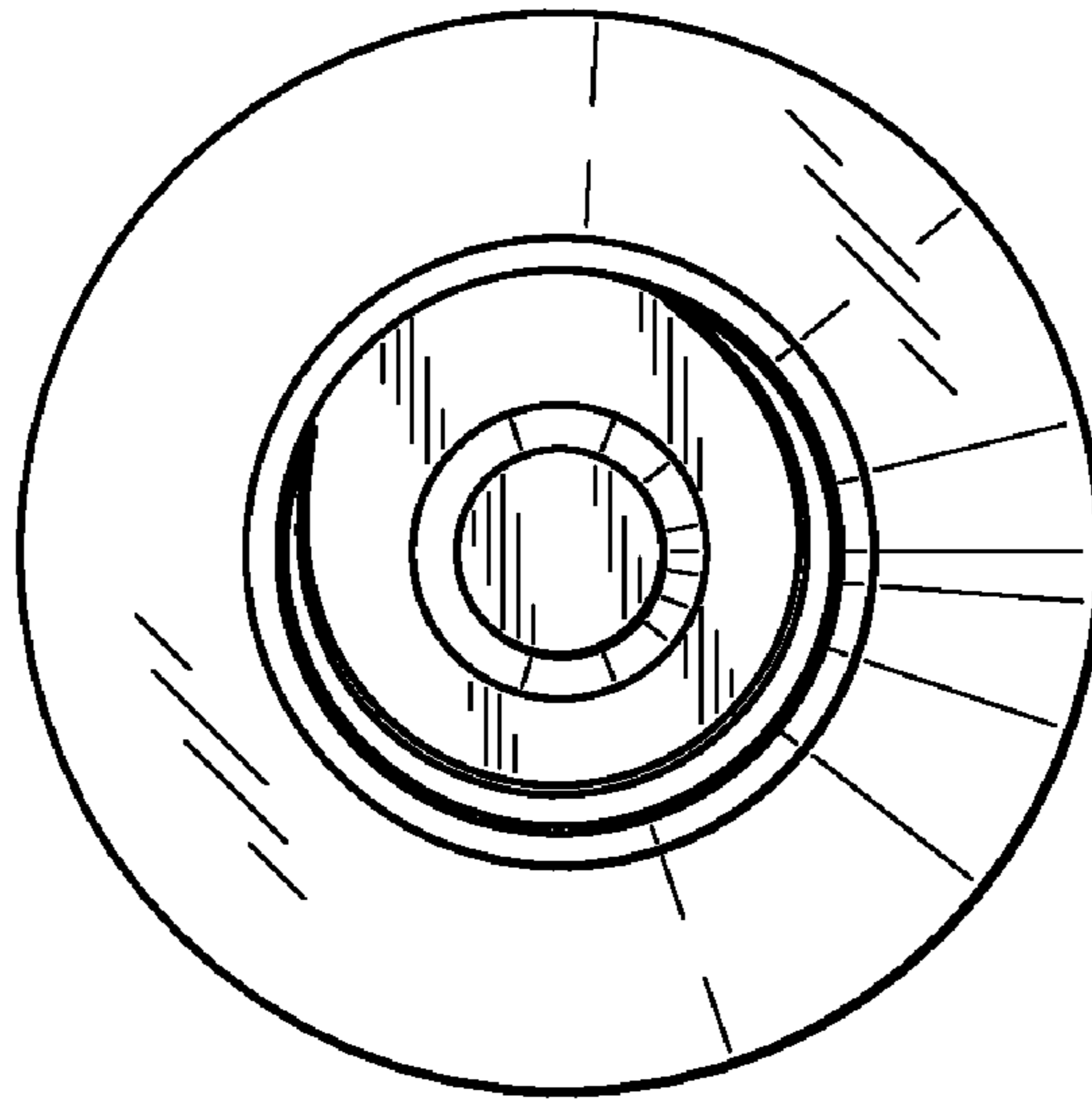


FIG. 13

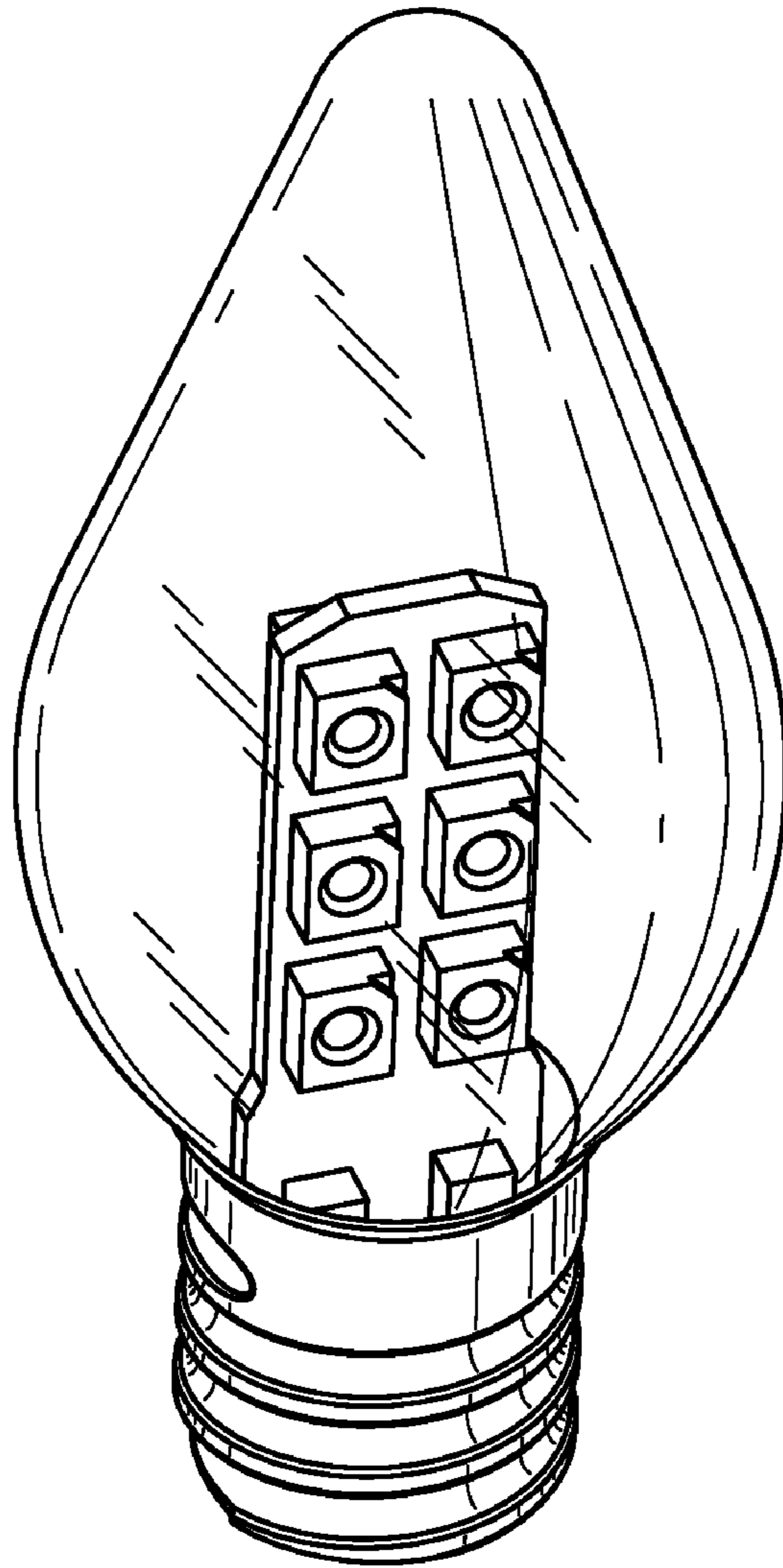


FIG. 14