



US00D675348S

(12) **United States Design Patent**  
**Boomgaarden et al.**

(10) **Patent No.:** **US D675,348 S**  
(45) **Date of Patent:** **\*\* Jan. 29, 2013**

(54) **LUMINAIRE**

(75) Inventors: **Mark Penley Boomgaarden**, Indian Harbour Beach, FL (US); **Shane Sullivan**, Indialantic, FL (US); **Ryan Chase Kelley**, Centennial, CO (US); **David Henderson**, Indialantic, FL (US)

(73) Assignee: **Lighting Science Group Corporation**, Satellite Beach, FL (US)

(\*\*) Term: **14 Years**

(21) Appl. No.: **29/373,145**

(22) Filed: **Mar. 7, 2011**

(51) **LOC (9) Cl.** ..... **26-04**

(52) **U.S. Cl.** ..... **D26/2**

(58) **Field of Classification Search** ..... D26/1-4;  
313/313, 315, 316, 317, 318, 493; 315/52,  
315/53, 56, 57, 58

See application file for complete search history.

(56) **References Cited**

U.S. PATENT DOCUMENTS

6,220,722	B1	4/2001	Begemann	
6,452,217	B1	9/2002	Wojnarowski et al.	
6,621,222	B1	9/2003	Hong	
7,344,279	B2	3/2008	Mueller et al.	
D623,774	S *	9/2010	Tsai	D26/2
D631,990	S *	2/2011	Bobel	D26/2
D663,058	S *	7/2012	Pan	D26/2
D663,869	S *	7/2012	Choi et al.	D26/2

\* cited by examiner

*Primary Examiner* — Marcus Jackson

(74) *Attorney, Agent, or Firm* — Cantor Colburn LLP

(57) **CLAIM**

We claim, the ornamental design for a luminaire, as shown and described.

**DESCRIPTION**

FIG. 1 is a perspective view of an exemplary embodiment of the invention;

FIG. 2 is a side elevation view of the exemplary embodiment of FIG. 1, the luminaire being symmetric about a center axis; FIG. 3 is a bottom plan view of the exemplary embodiment of FIG. 1;

FIG. 4 is a top plan view of the exemplary embodiment of FIG. 1;

FIG. 5 is a perspective view of a second embodiment of the invention;

FIG. 6 is a side elevation view of the second embodiment of FIG. 5, the luminaire being symmetric about a center axis; and,

FIG. 7 is a top plan view of the second embodiment of FIG. 5, the bottom plan view being the same as FIG. 3.

The phantom lines shown in FIG. 1-FIG. 3 and FIG. 5-FIG. 7 are environmental and not part of the claimed design.

The color of the luminaire forms no part of the claimed design; a luminaire according to the claimed design may be of any color or combination of colors.

The shading and tones, and any variations thereof, shown in the figures do not imply any specific colors or color contrast scheme in the claimed design.

The degree of transparency and/or opaqueness of the optic portion of the luminaire in FIG. 1-FIG. 7 form no part of the claimed design.

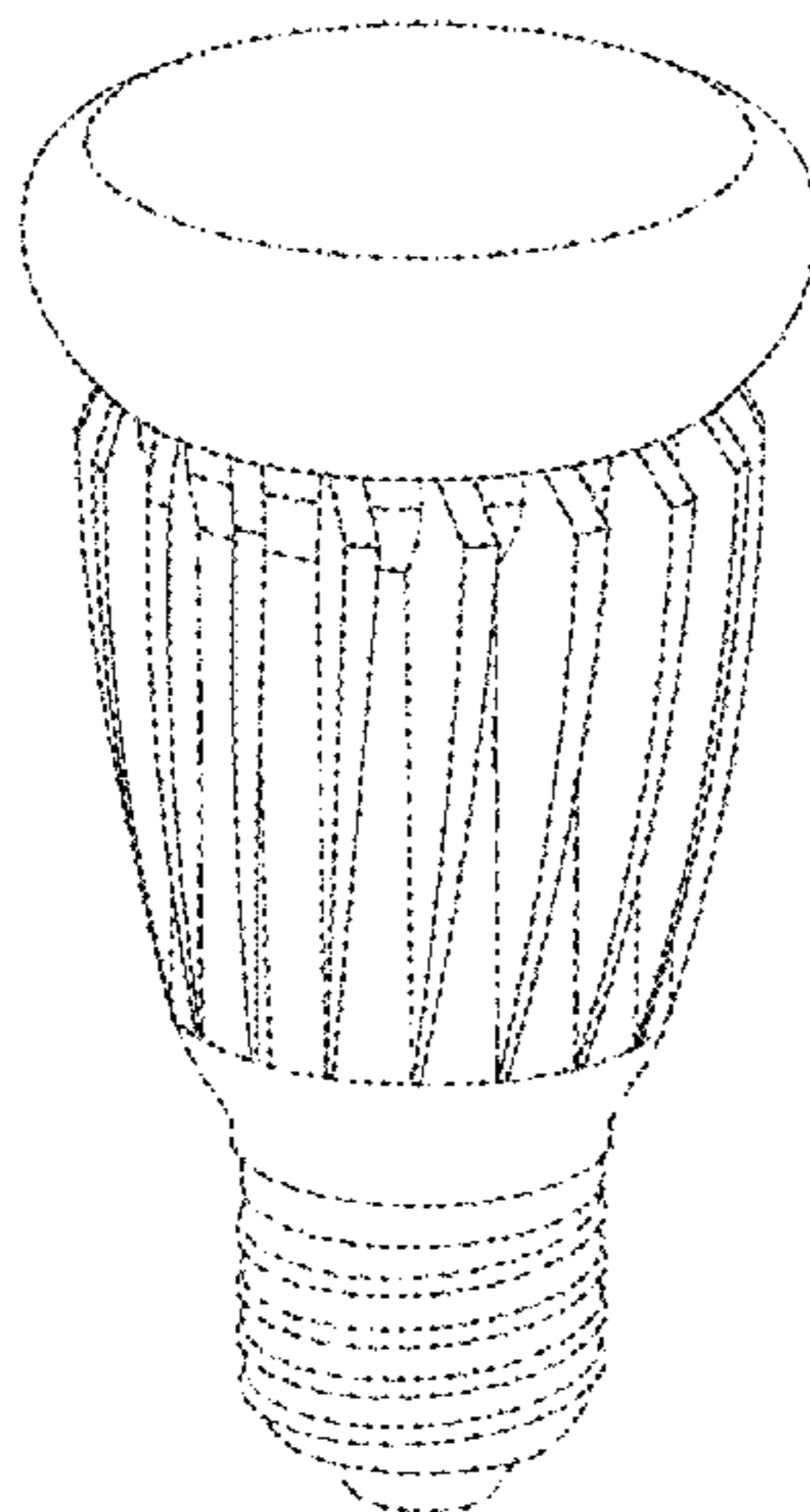
The dot-dash-dot lines shown in FIG. 1, FIG. 2, and FIG. 4 indicate an indefinite border to a top portion of the optic and luminaire may have a top portion of the optic that is any size or shape.

The surface treatment of the luminaire shown in the figures forms no part of the claimed design, a luminaire according to the claimed design may have any surface treatment.

The optic of the claimed luminaire design shown in FIG. 1-FIG. 7 may include faceting or other treatment.

References to “side”, “top”, and “bottom” in the figure descriptions are not meant to require certain in-use orientation; a luminaire according to the claimed design may be used in any orientation.

**1 Claim, 7 Drawing Sheets**



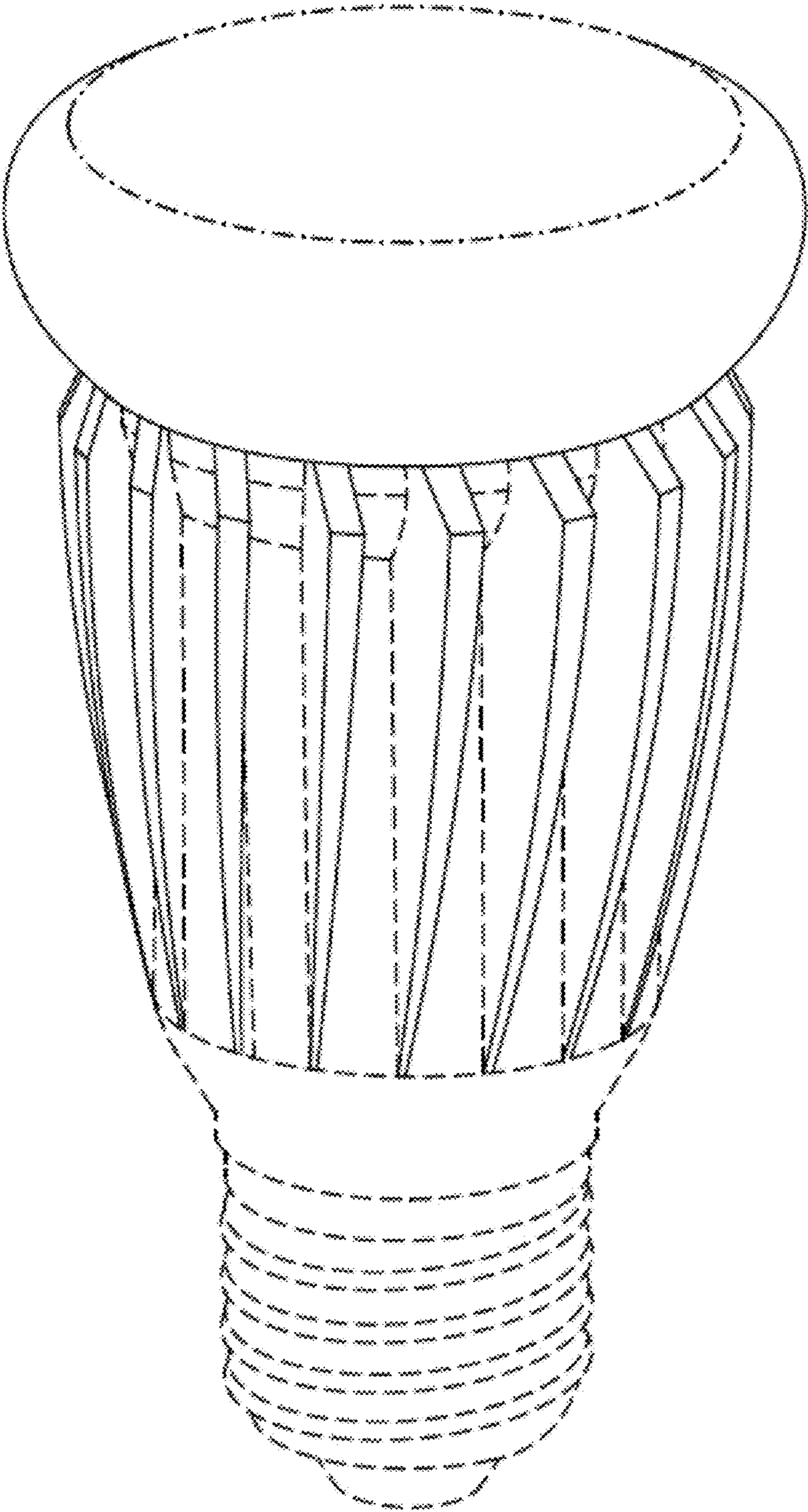


FIG 1

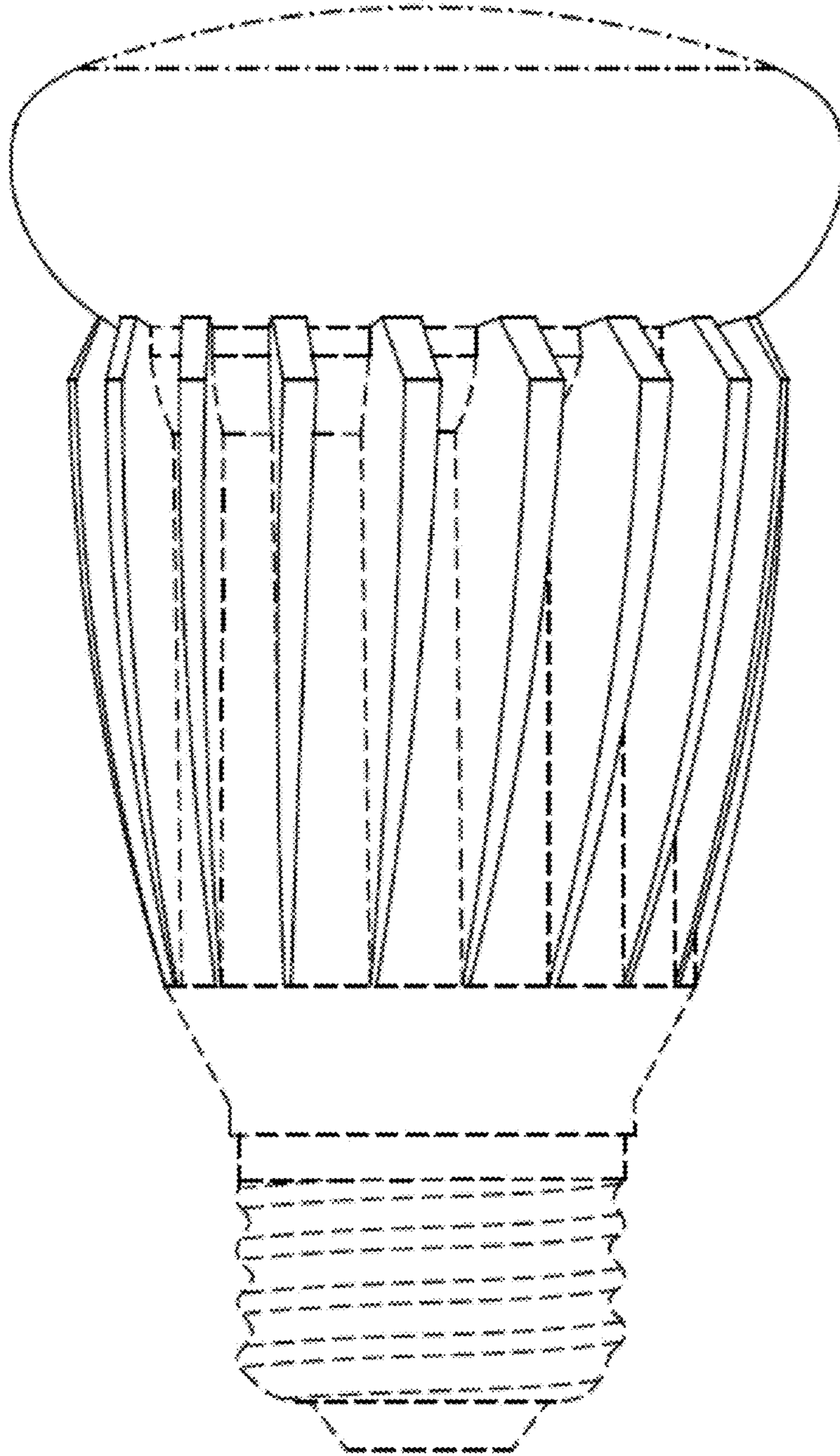


FIG 2

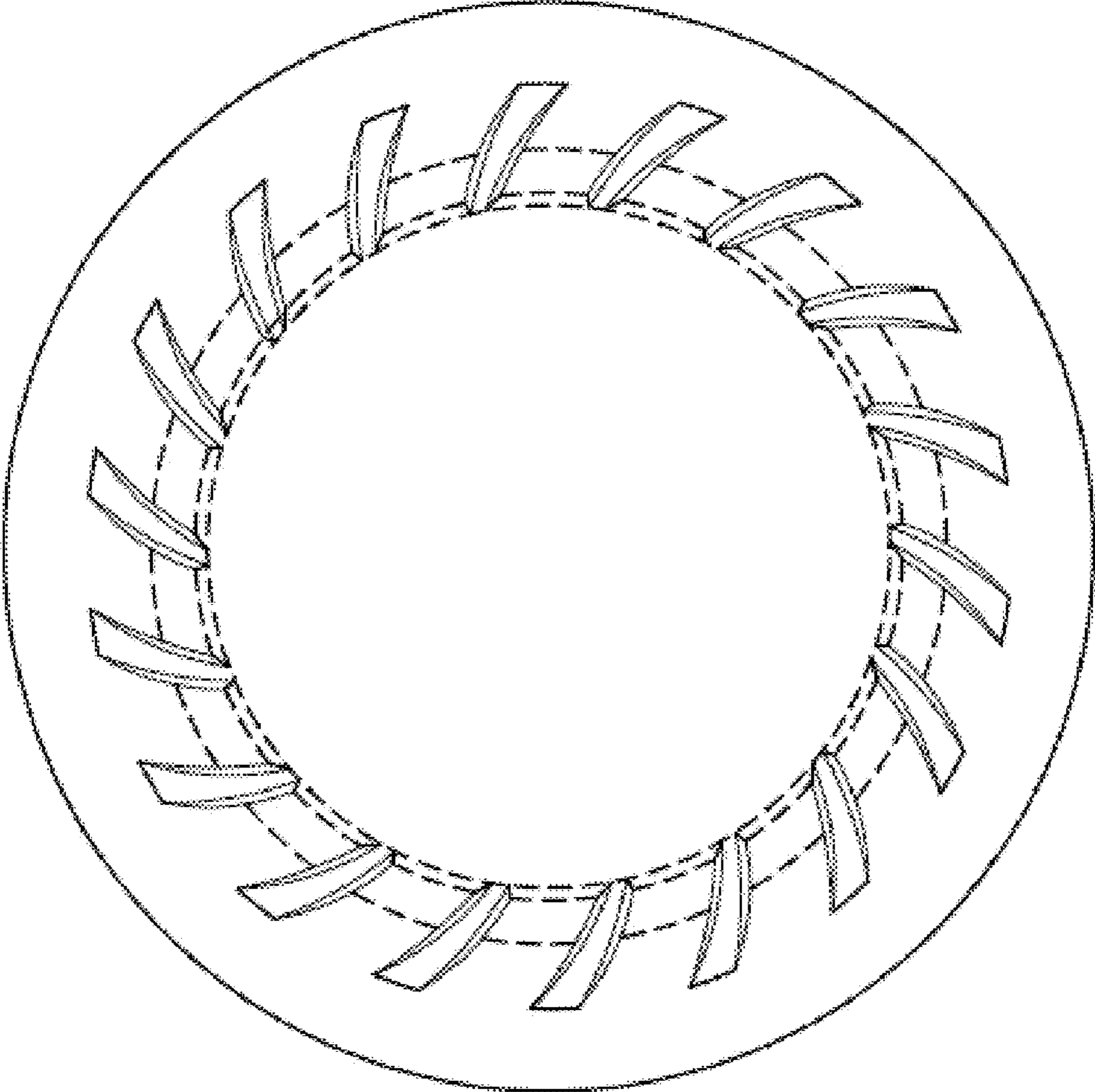


FIG 3

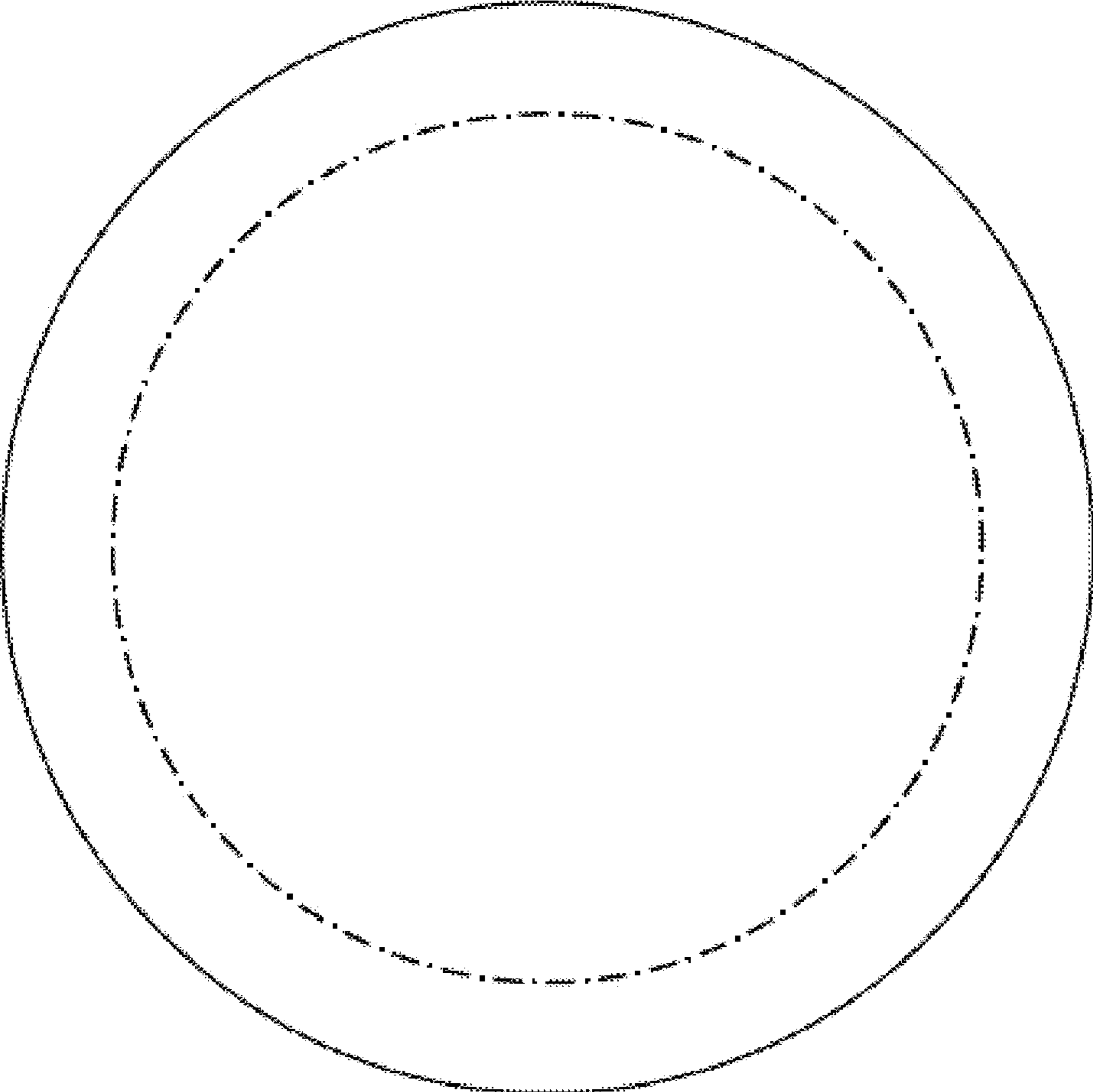


FIG 4

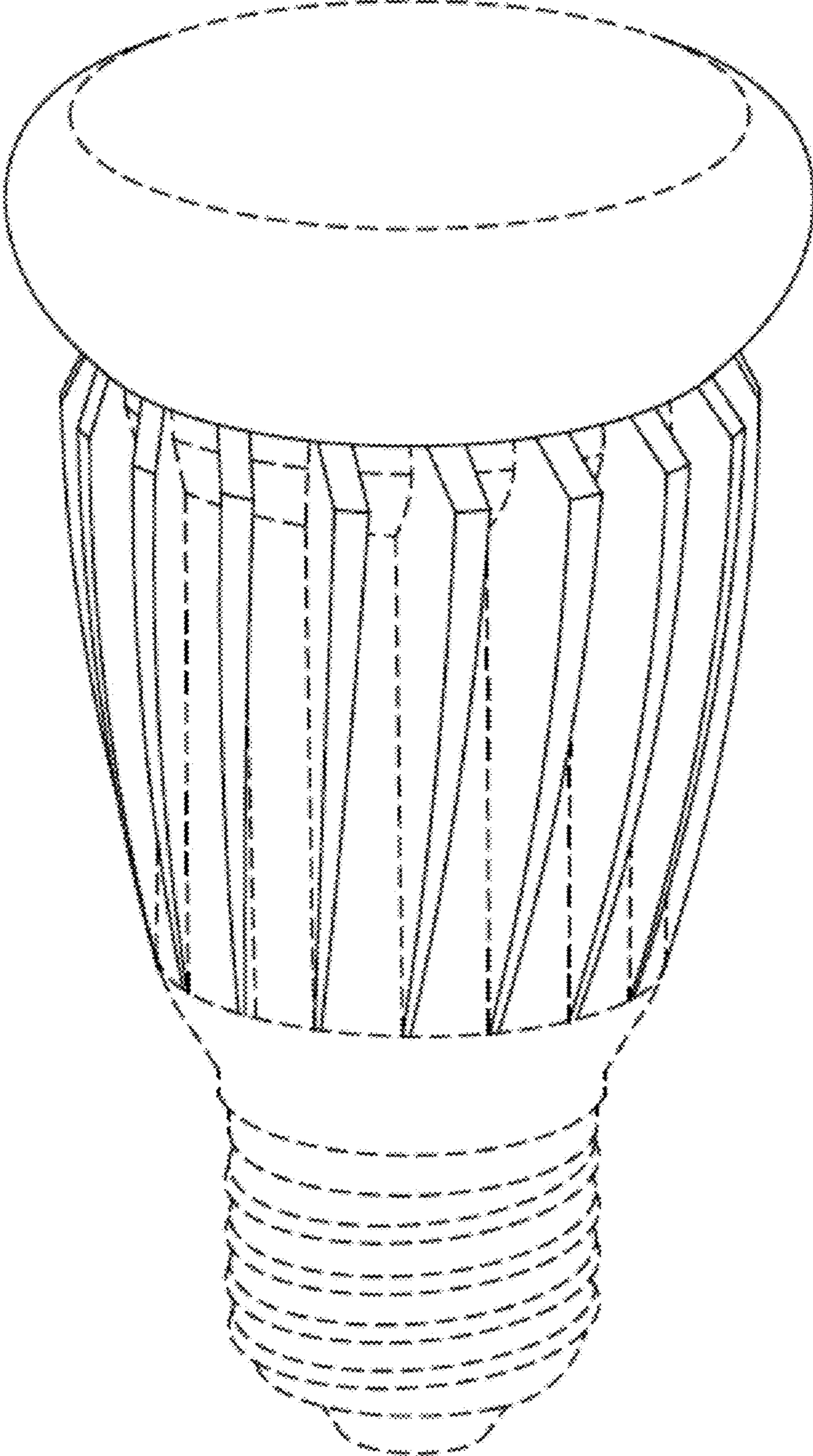


FIG 5

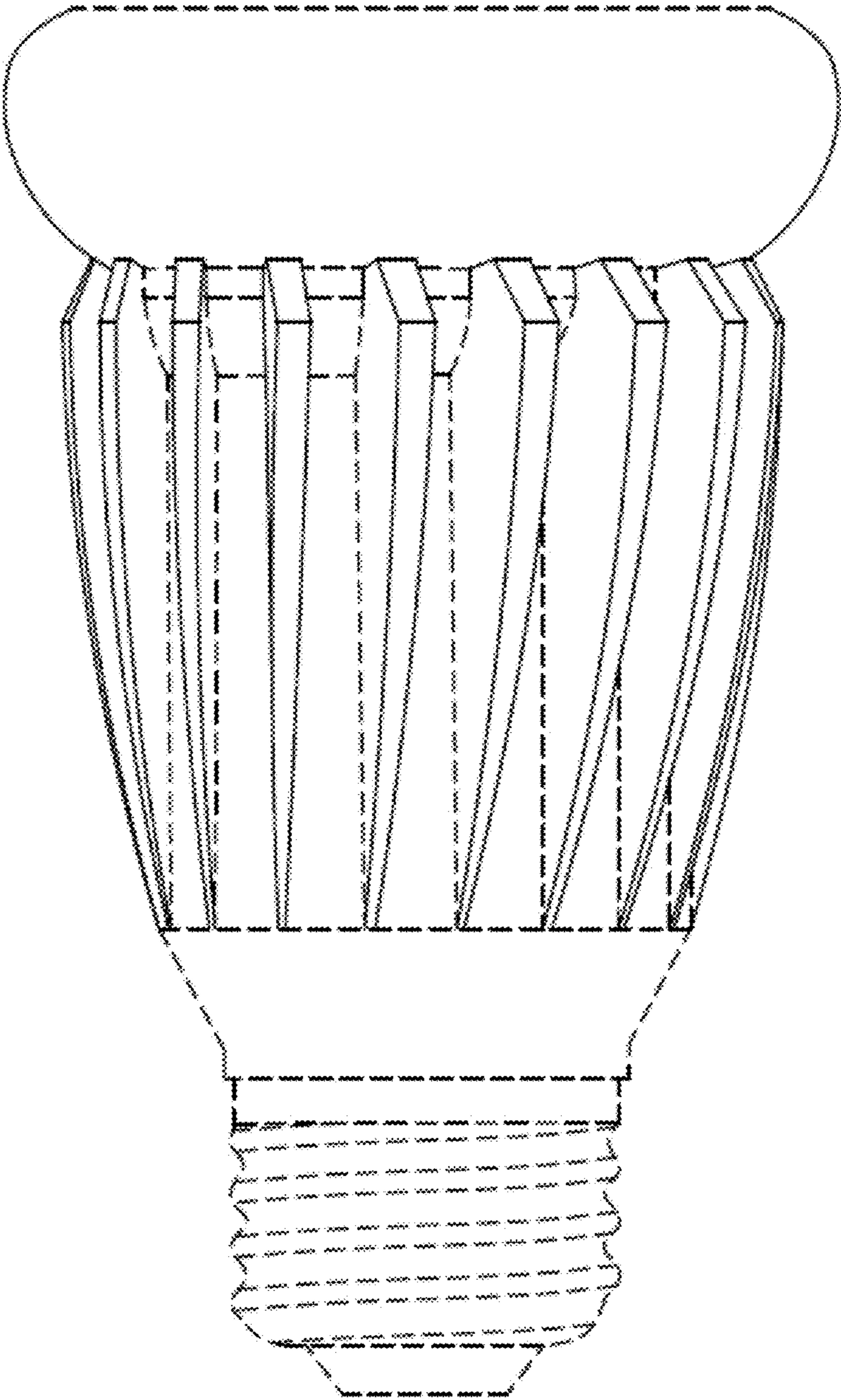


FIG 6

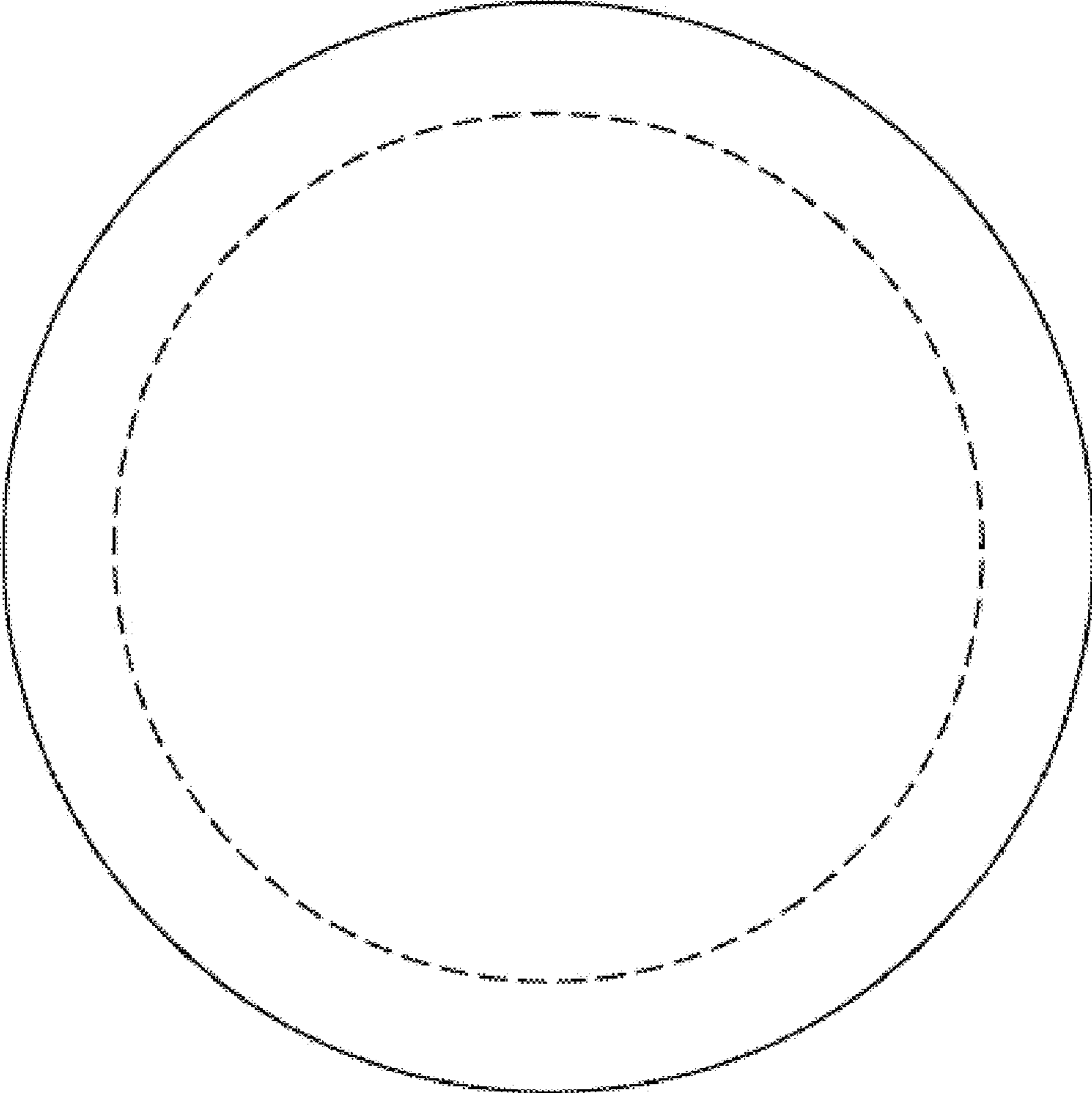


FIG 7