



US00D675345S

(12) **United States Design Patent**
Von Langsdorff

(10) **Patent No.:** **US D675,345 S**
(45) **Date of Patent:** **** Jan. 29, 2013**

- (54) **PAVING STONE**
- (75) Inventor: **Harald Von Langsdorff**, Caledon (CA)
- (73) Assignee: **F. von Langsdorff Licensing Limited**, Caledon (CA)
- (**) Term: **14 Years**
- (21) Appl. No.: **29/378,872**
- (22) Filed: **Nov. 10, 2010**

5,902,069	A	5/1999	Barth et al.	
D423,114	S	4/2000	Fifield	
D426,317	S	6/2000	Fifield	
D431,305	S	9/2000	Barth et al.	
D498,543	S	11/2004	Schmitz	
6,857,244	B2	2/2005	Schmitz	
D509,001	S	8/2005	McLean	
D511,012	S	10/2005	von Langsdorff	
D521,592	S	5/2006	von Langsdorff	
7,220,078	B2 *	5/2007	Drost et al.	404/38
D584,424	S	1/2009	Schneider	
2004/0045248	A1 *	3/2004	Drost	52/604

* cited by examiner

Related U.S. Application Data

- (63) Continuation of application No. 29/328,747, filed on Dec. 1, 2008, now abandoned.
- (51) **LOC (9) Cl.** **25-01**
- (52) **U.S. Cl.** **D25/113**
- (58) **Field of Classification Search** D25/102-118, D25/138, 152, 157-162, 164; D21/484-491, D21/499-504; 405/16, 284, 286; 52/503-505, 52/574, 575, 596-612; 404/27-42
See application file for complete search history.

Primary Examiner — Anhdao Doan

(74) *Attorney, Agent, or Firm* — Santosh K. Chari; Blake Cassels & Graydon LLP

(57) **CLAIM**

The ornamental design for a paving stone, substantially as shown and described.

DESCRIPTION

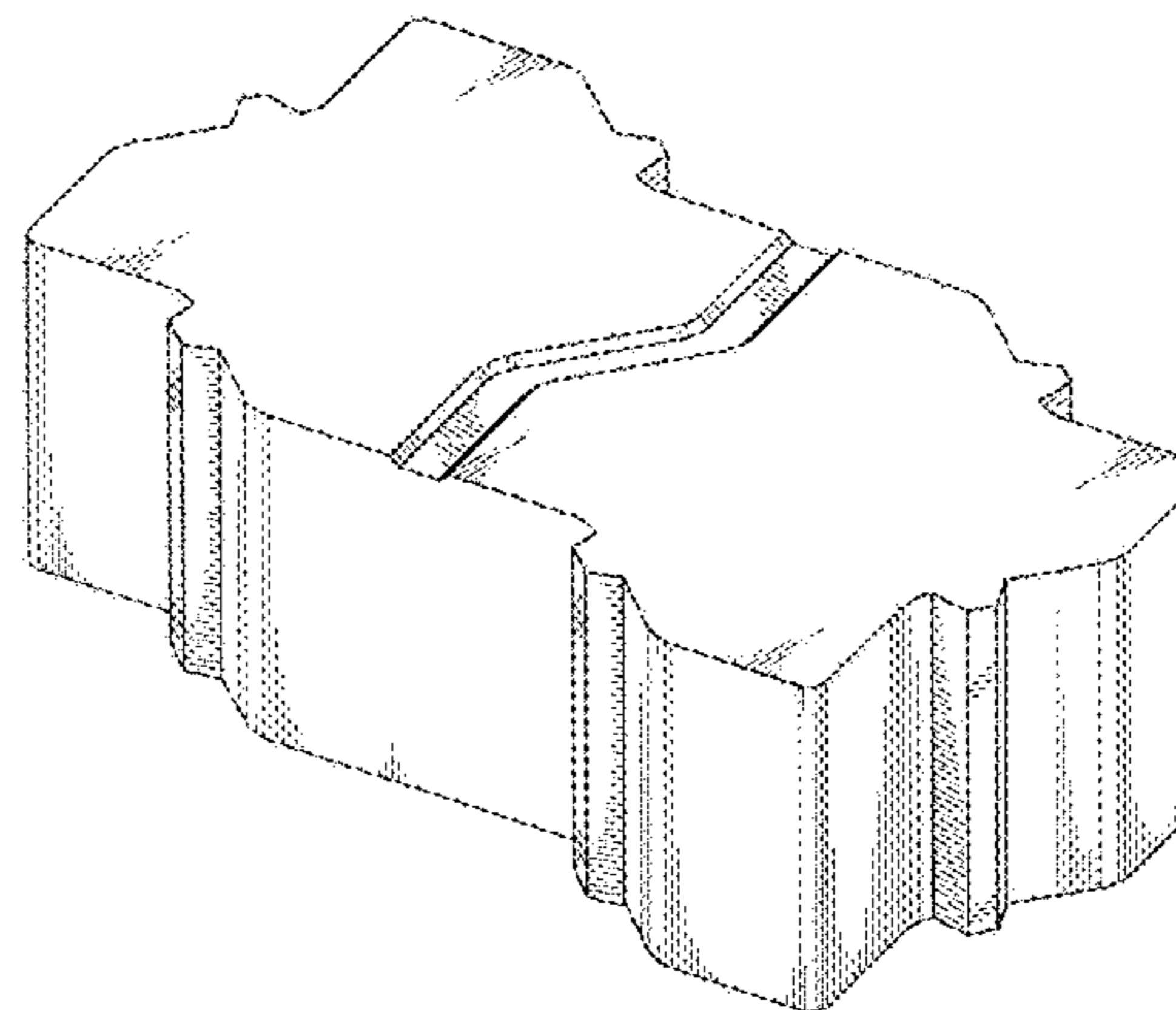
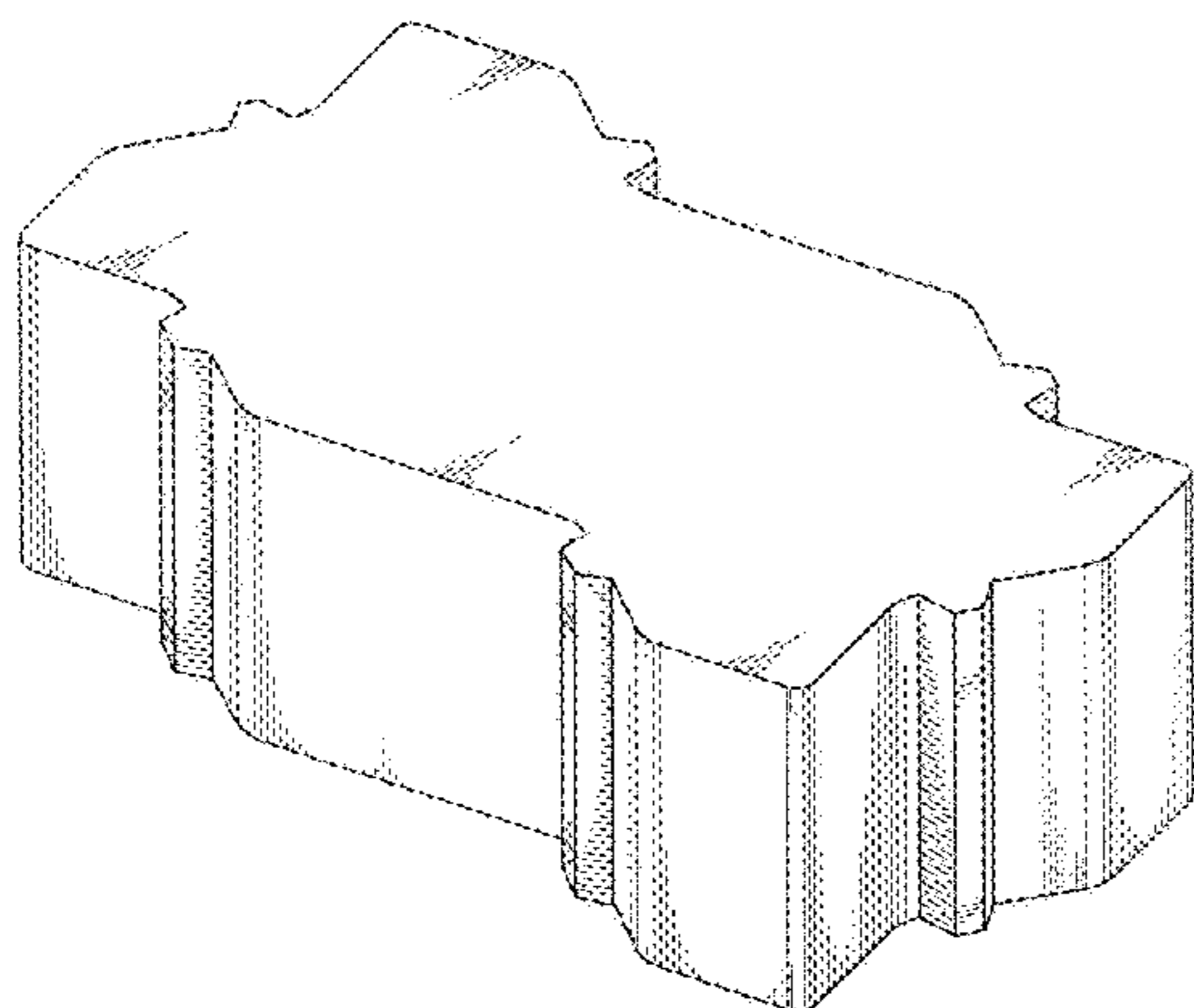
FIG. 1 is a top perspective view of a paving stone according to an embodiment of the design.
 FIG. 2 is a top view of the design of FIG. 1.
 FIG. 3 is a bottom view of the design of FIG. 1.
 FIG. 4 is a right side view of the design of FIG. 1, the left side view being identical thereto.
 FIG. 5 is a front end view of the design of FIG. 1, the rear end view being identical thereto.
 FIG. 6 is a top perspective view of a paving stone according to another embodiment of the design.
 FIG. 7 is a top view of the design of FIG. 6.
 FIG. 8 is a bottom view of the design of FIG. 6.
 FIG. 9 is a right side view of the design of FIG. 6, the left side view being identical thereto; and,
 FIG. 10 is a front end view of the design of FIG. 6, the rear end view being identical thereto.

(56) **References Cited**

U.S. PATENT DOCUMENTS

D238,870	S	2/1976	Appleton	
D243,020	S	1/1977	Inderwick	
4,016,692	A	4/1977	Jordan et al.	
4,128,357	A	12/1978	Barth et al.	
D264,003	S	4/1982	Campbell	
4,354,773	A *	10/1982	Noack	404/41
4,583,341	A	4/1986	Barth et al.	
4,671,039	A	6/1987	Hunt	
4,773,790	A	9/1988	Hagenah	
4,834,575	A	5/1989	Barth et al.	
D342,795	S	12/1993	Harrison	
D343,238	S	1/1994	Hair	
5,342,142	A	8/1994	Barth et al.	
5,360,285	A	11/1994	Barth et al.	
5,713,173	A	2/1998	von Langsdorff et al.	
D404,147	S *	1/1999	Woolford	D25/113

1 Claim, 4 Drawing Sheets



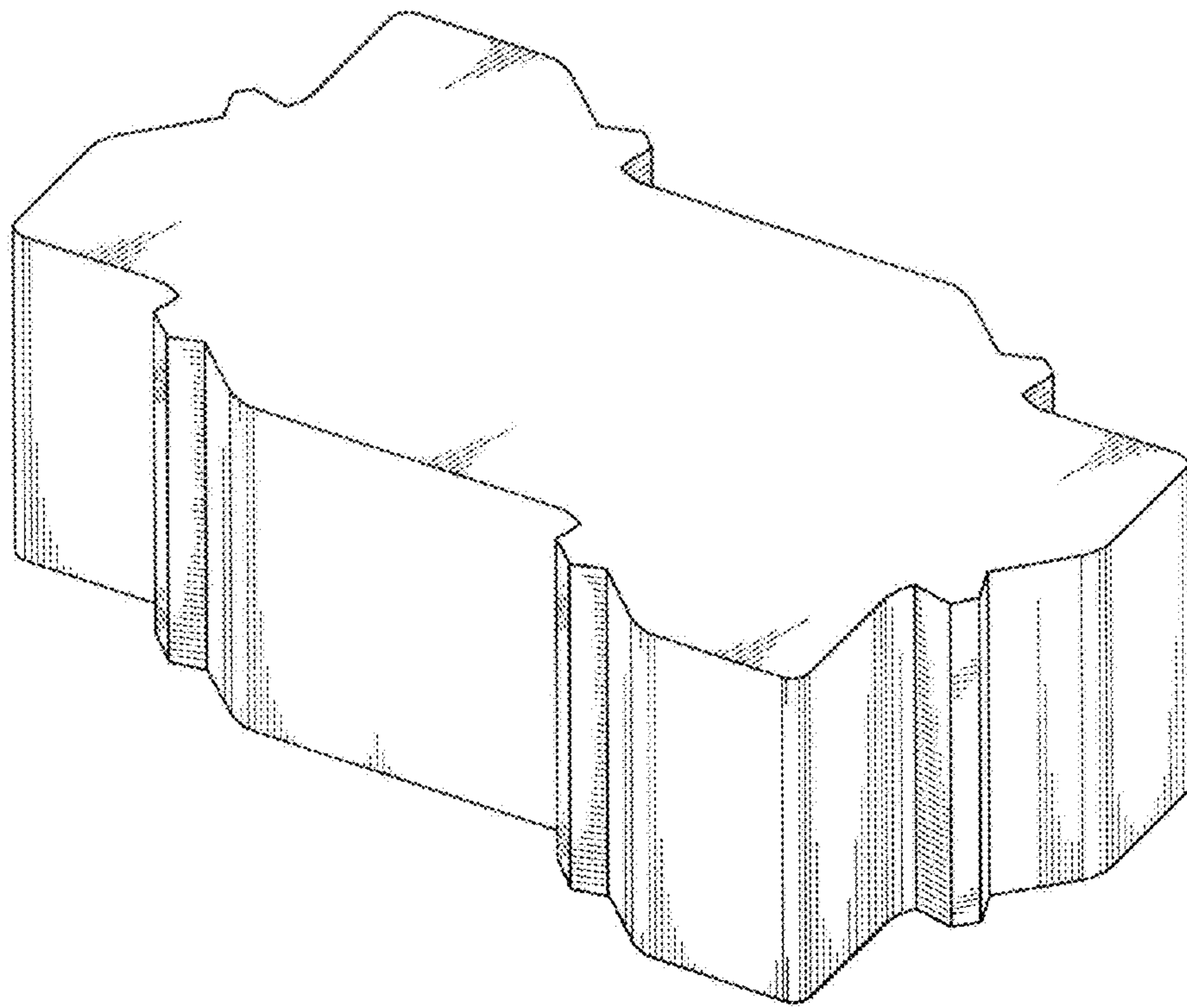


FIG. 1

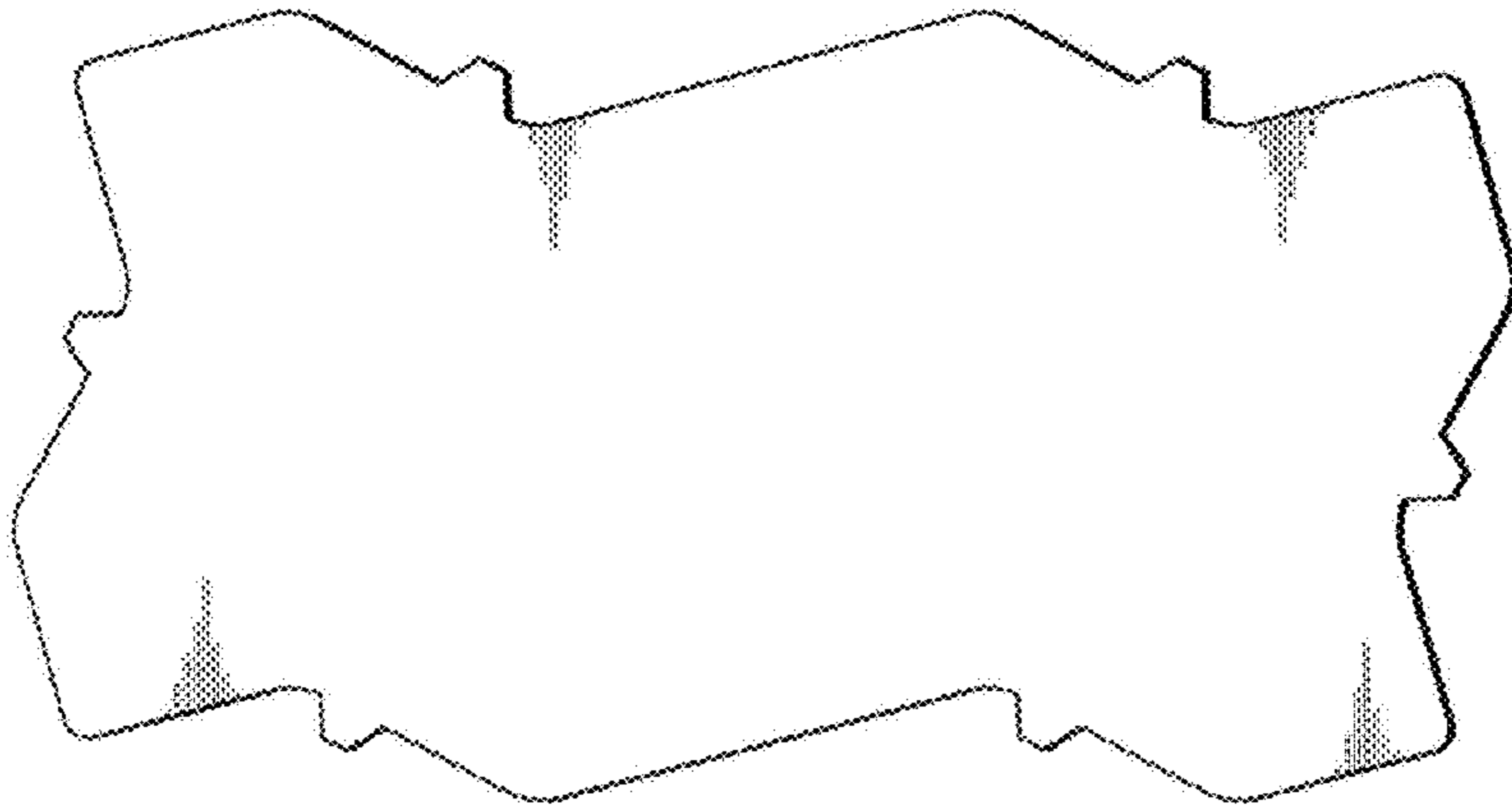


FIG. 2

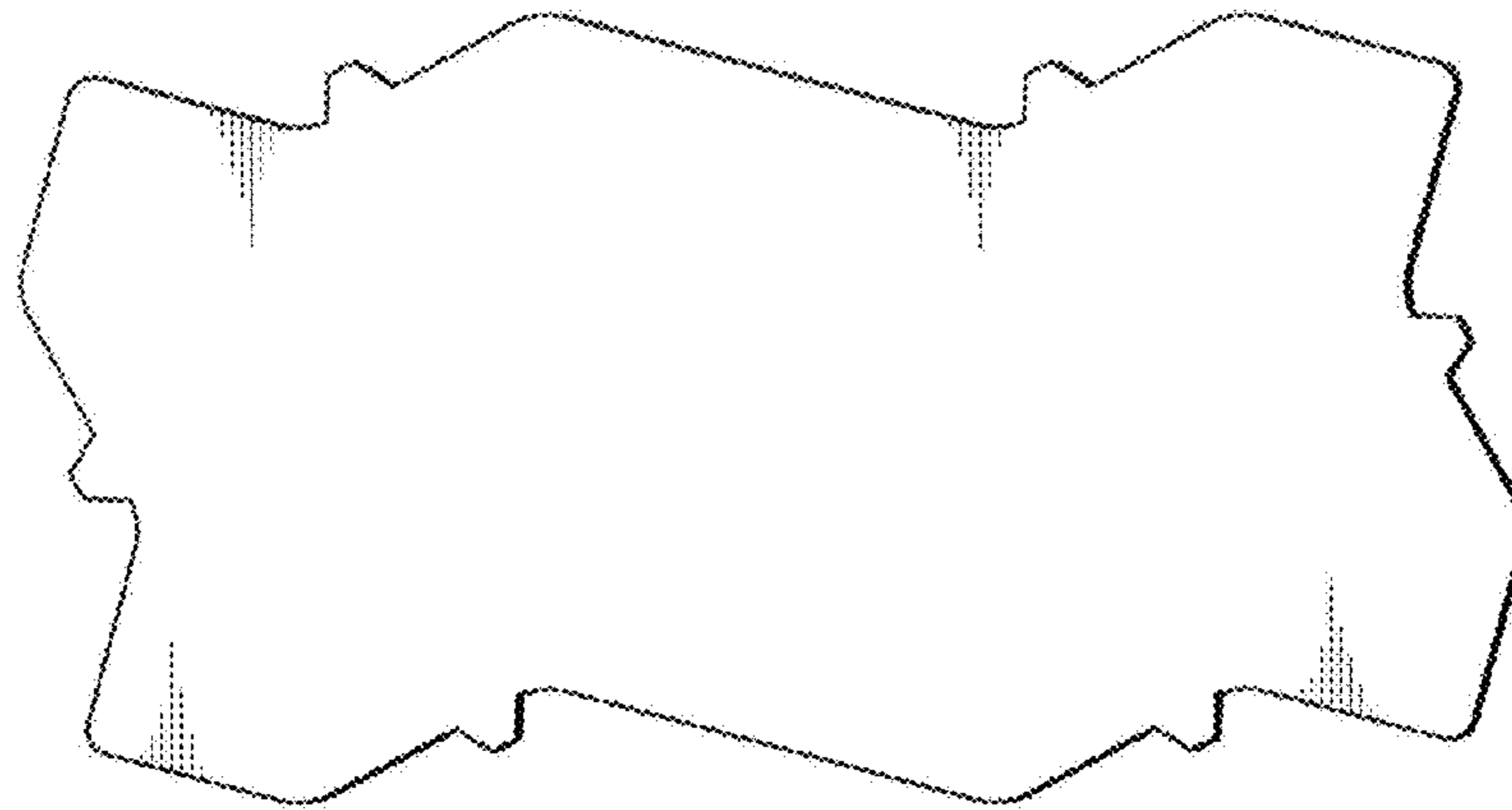


FIG. 3

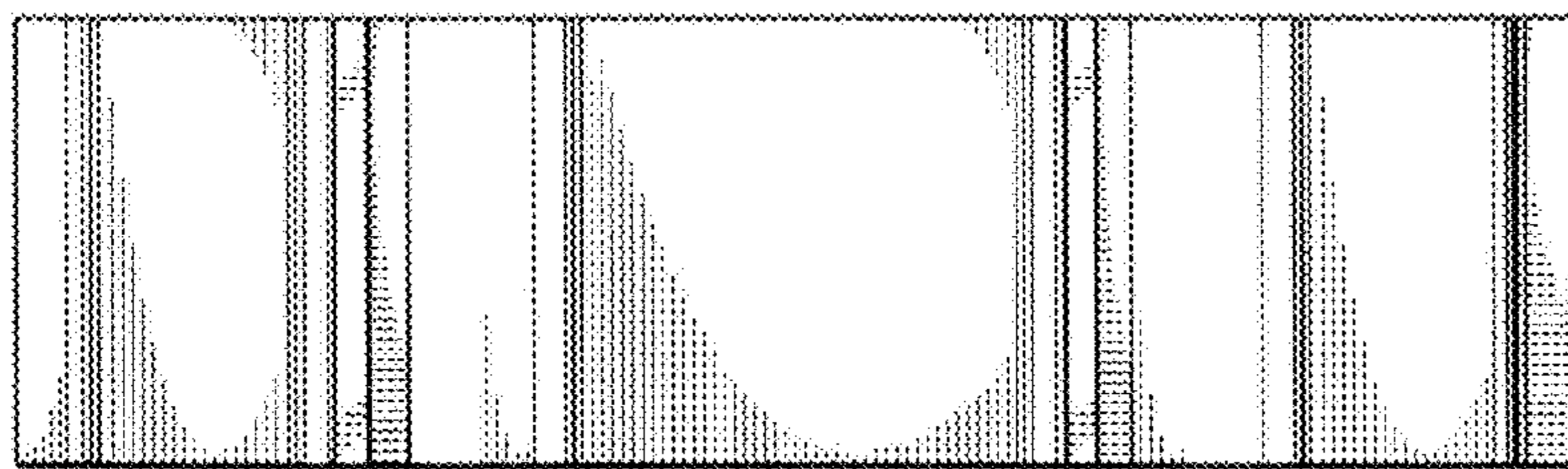


FIG. 4

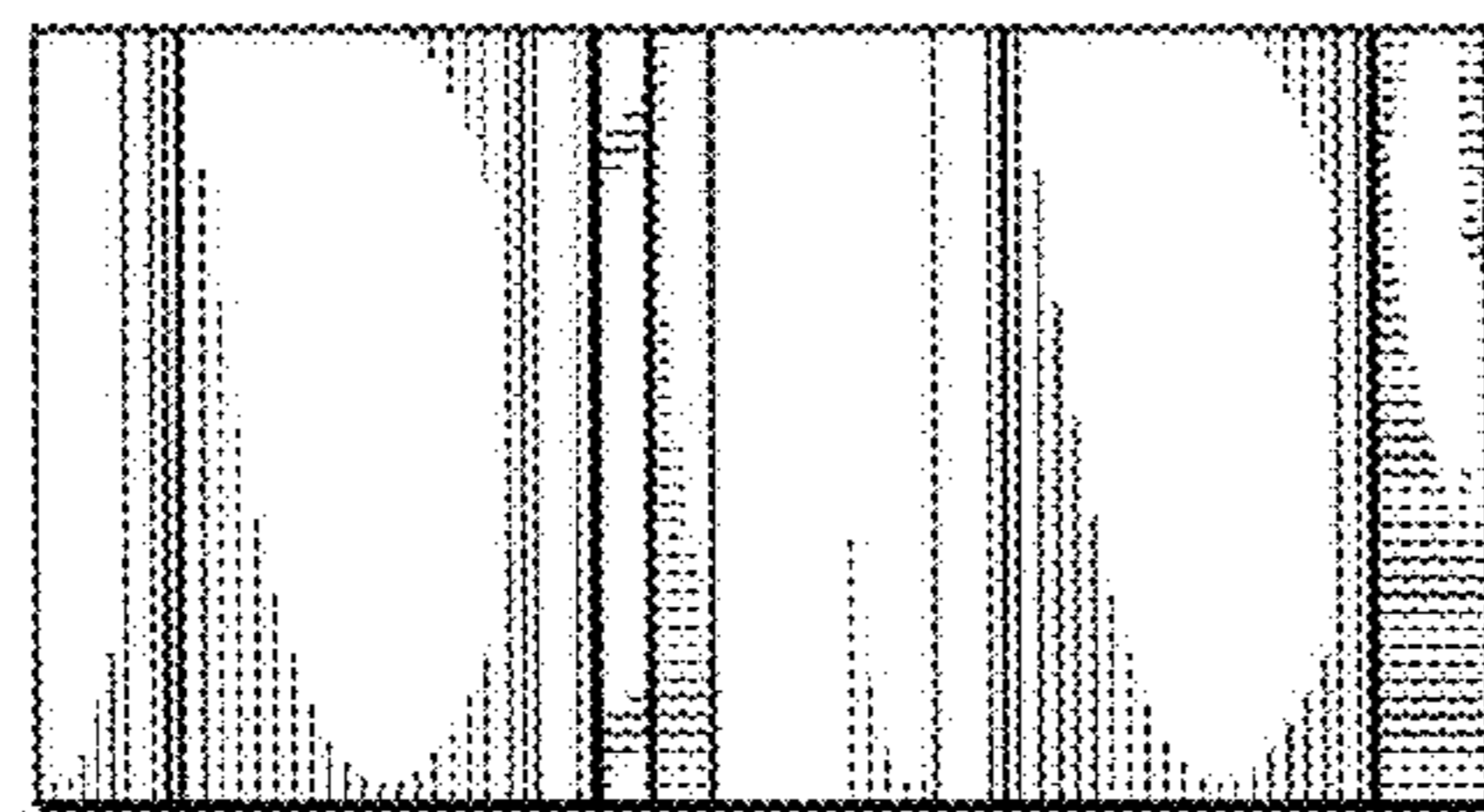


FIG. 5

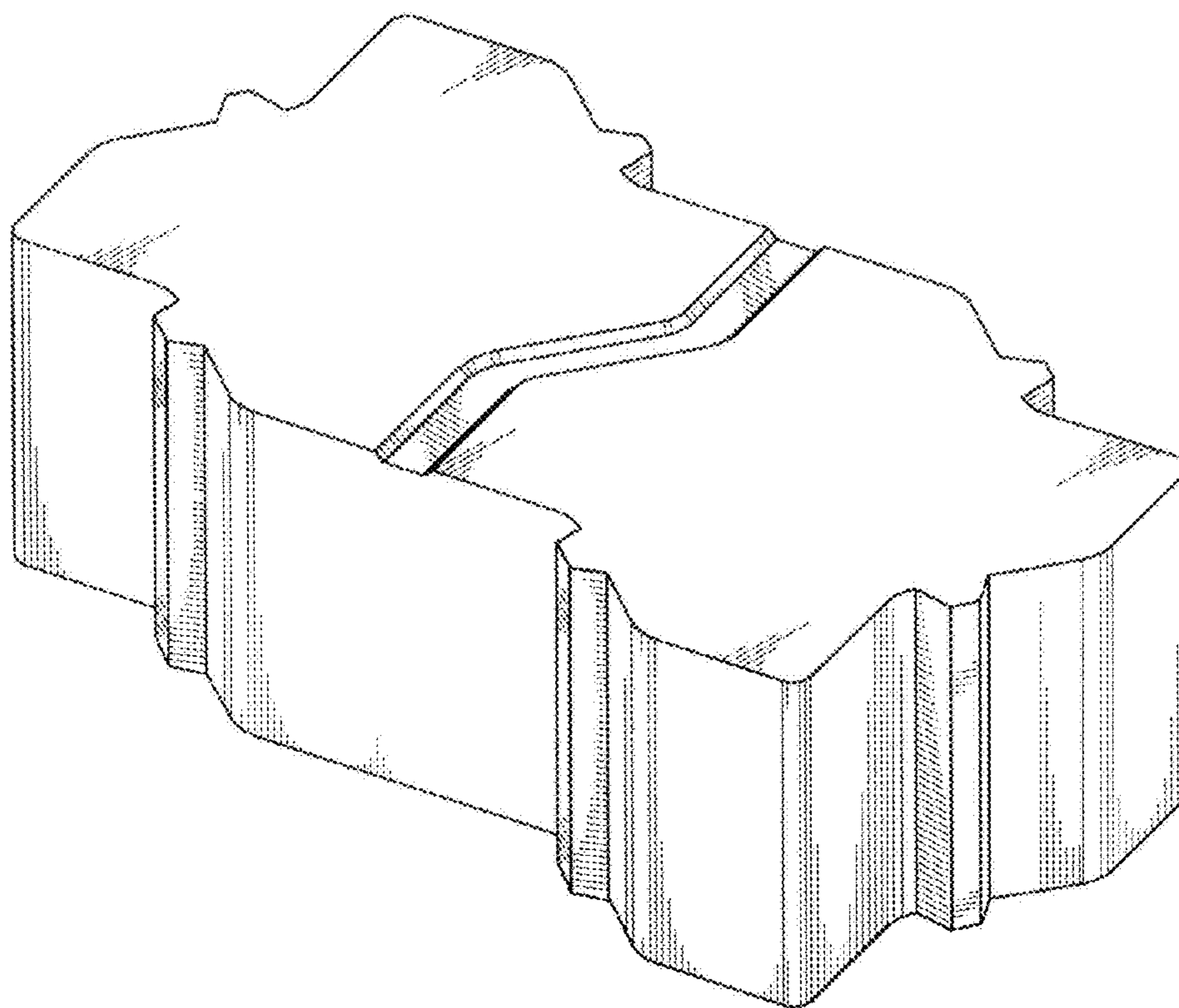


FIG. 6

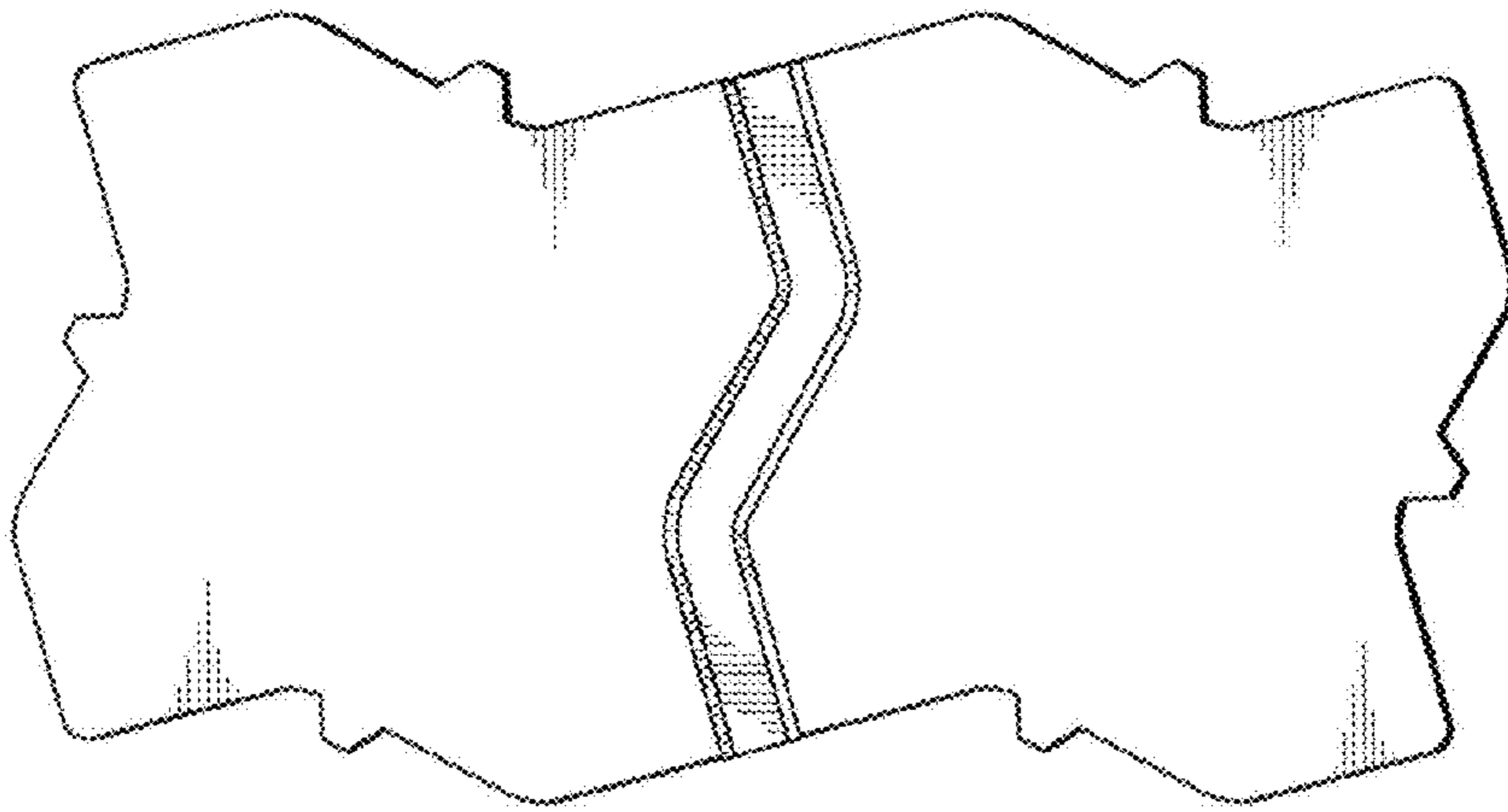


FIG. 7

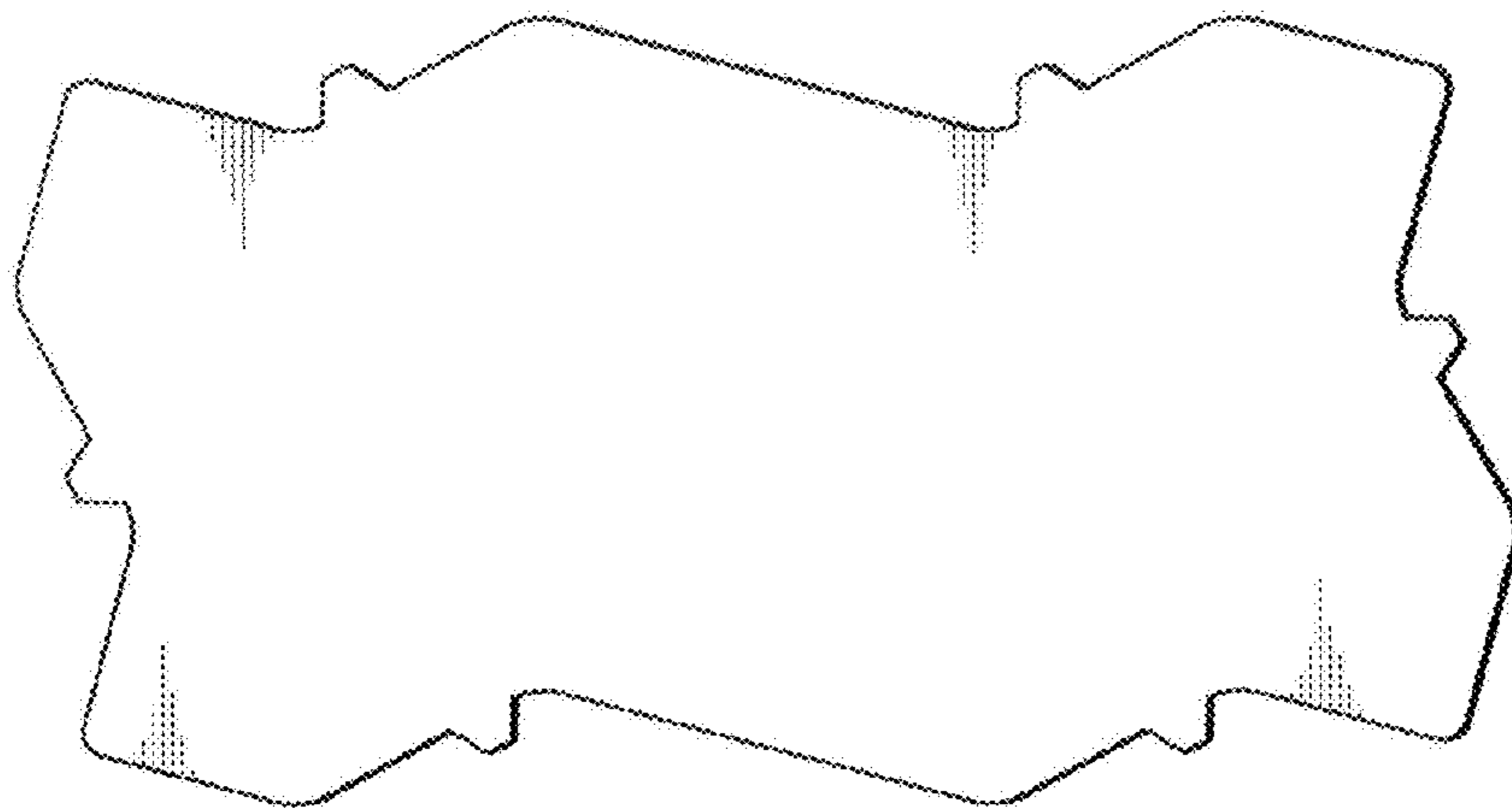


FIG. 8

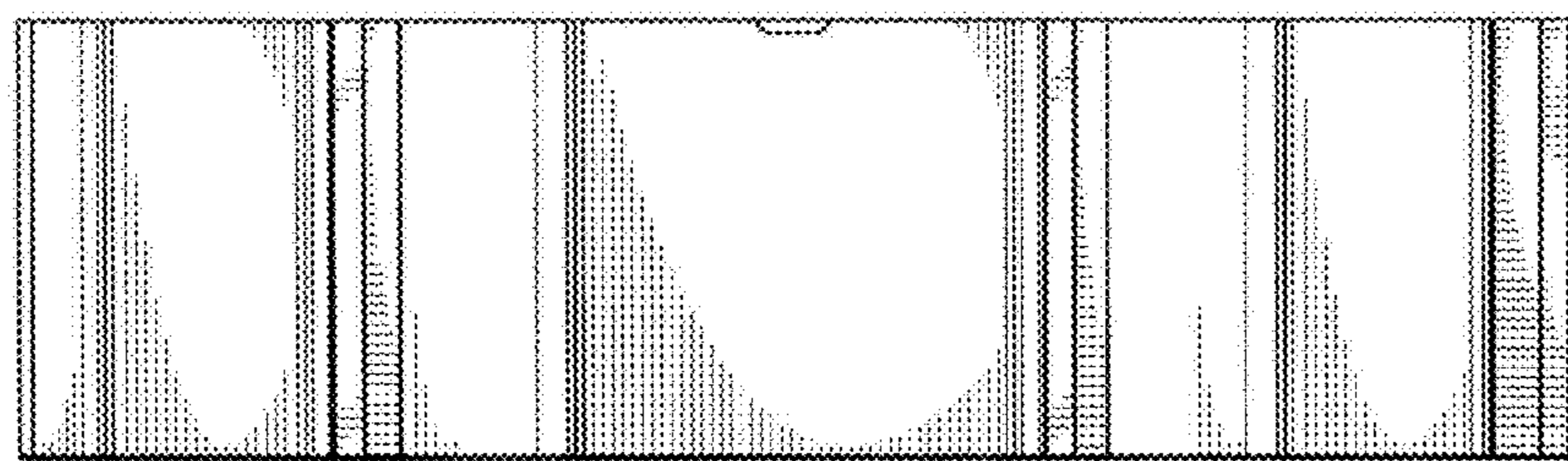


FIG. 9

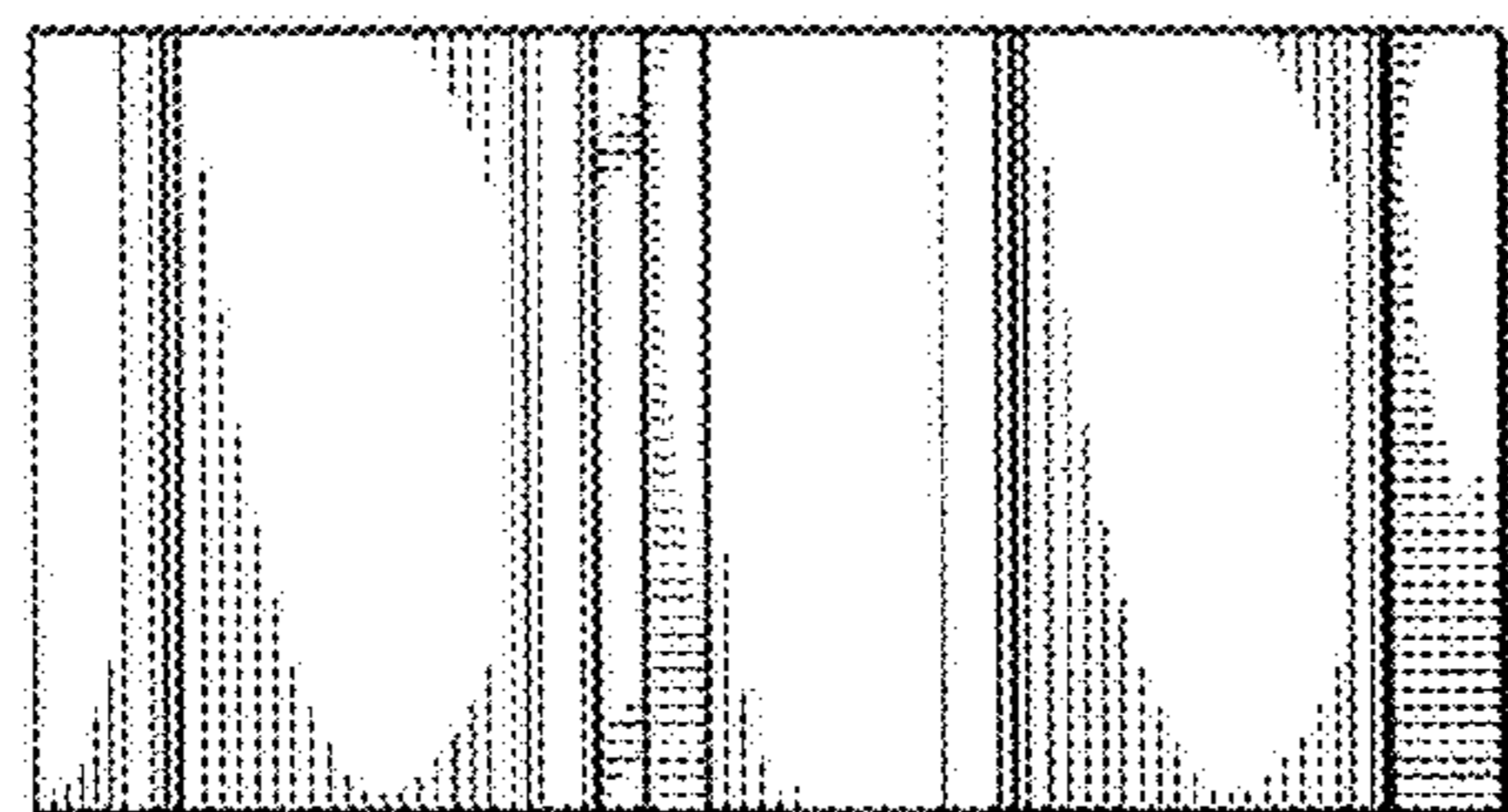


FIG. 10