



US00D675343S

(12) **United States Design Patent**  
**Davis et al.**

(10) **Patent No.:** **US D675,343 S**  
(45) **Date of Patent:** **\*\* Jan. 29, 2013**

(54) **SUPPORT STRUCTURE**

(75) Inventors: **Adam Davis**, Leola, PA (US); **James Fairorth**, Manheim, PA (US); **Michael Tait**, Lititz, PA (US)

(73) Assignee: **Tait Towers, Inc.**, Lititz, PA (US)

(\*\*) Term: **14 Years**

(21) Appl. No.: **29/424,768**

(22) Filed: **Jun. 15, 2012**

**Related U.S. Application Data**

(60) Continuation of application No. 13/472,668, filed on May 16, 2012, which is a continuation of application No. 13/008,246, filed on Jan. 18, 2011, which is a continuation of application No. 12/388,645, filed on Feb. 19, 2009, now Pat. No. 7,922,416, which is a division of application No. 11/295,999, filed on Dec. 7, 2005, now Pat. No. 7,703,401.

(51) **LOC (9) Cl.** ..... **25-04**

(52) **U.S. Cl.** ..... **D25/62; D25/66**

(58) **Field of Classification Search** ..... D25/66, D25/62; 182/128, 130, 141, 152, 187; 248/439  
See application file for complete search history.

(56) **References Cited**

**U.S. PATENT DOCUMENTS**

3,000,466 A \* 9/1961 Johnson et al. .... 182/118  
3,086,256 A \* 4/1963 Schieber, Jr. .... 108/171

3,190,406 A \* 6/1965 Usher et al. .... 52/646  
4,055,124 A \* 10/1977 Weagle ..... 108/132  
5,555,954 A \* 9/1996 Swiderski ..... 182/152  
D464,144 S \* 10/2002 Peterson ..... D25/62  
D486,243 S \* 2/2004 Yamaoka ..... D25/66  
7,549,381 B1 \* 6/2009 Nail et al. .... 108/132  
2005/0029049 A1 \* 2/2005 Moser et al. .... 182/152

\* cited by examiner

*Primary Examiner* — Doris Clark

(74) *Attorney, Agent, or Firm* — McNeese Wallace & Nurick LLC

(57) **CLAIM**

We claim the ornamental design for a support structure, as shown and described.

**DESCRIPTION**

FIG. 1 is a perspective view of a support structure according to the disclosure;

FIG. 2 is a side view of a support structure according to the disclosure;

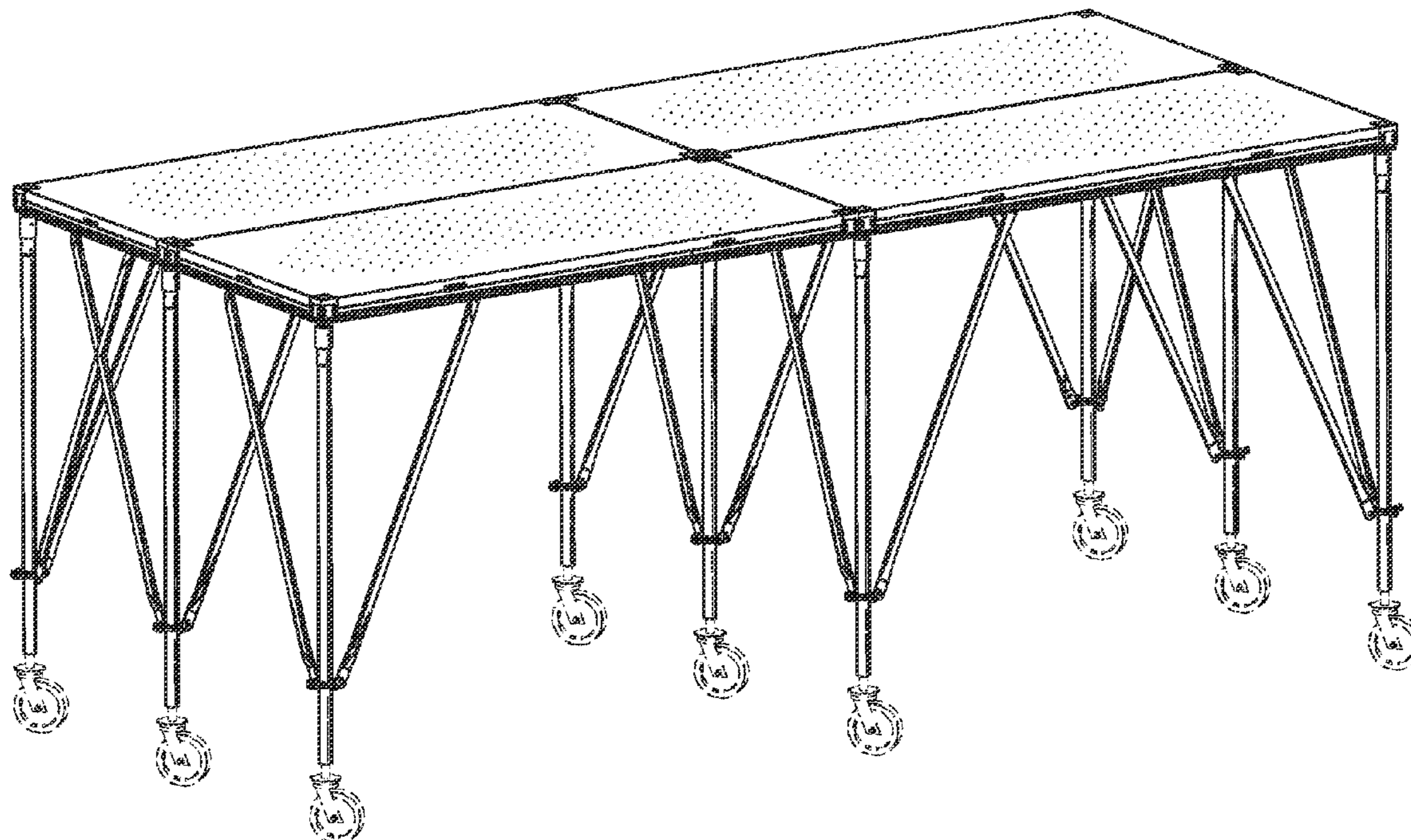
FIG. 3 is a front view of a support structure according to the disclosure;

FIG. 4 is a top view of a support structure according to the disclosure; and,

FIG. 5 is a bottom view of a support structure according to the disclosure.

The broken line portions shown on the drawing disclosure are for illustrative purposes only and form no part of the claimed design.

**1 Claim, 3 Drawing Sheets**



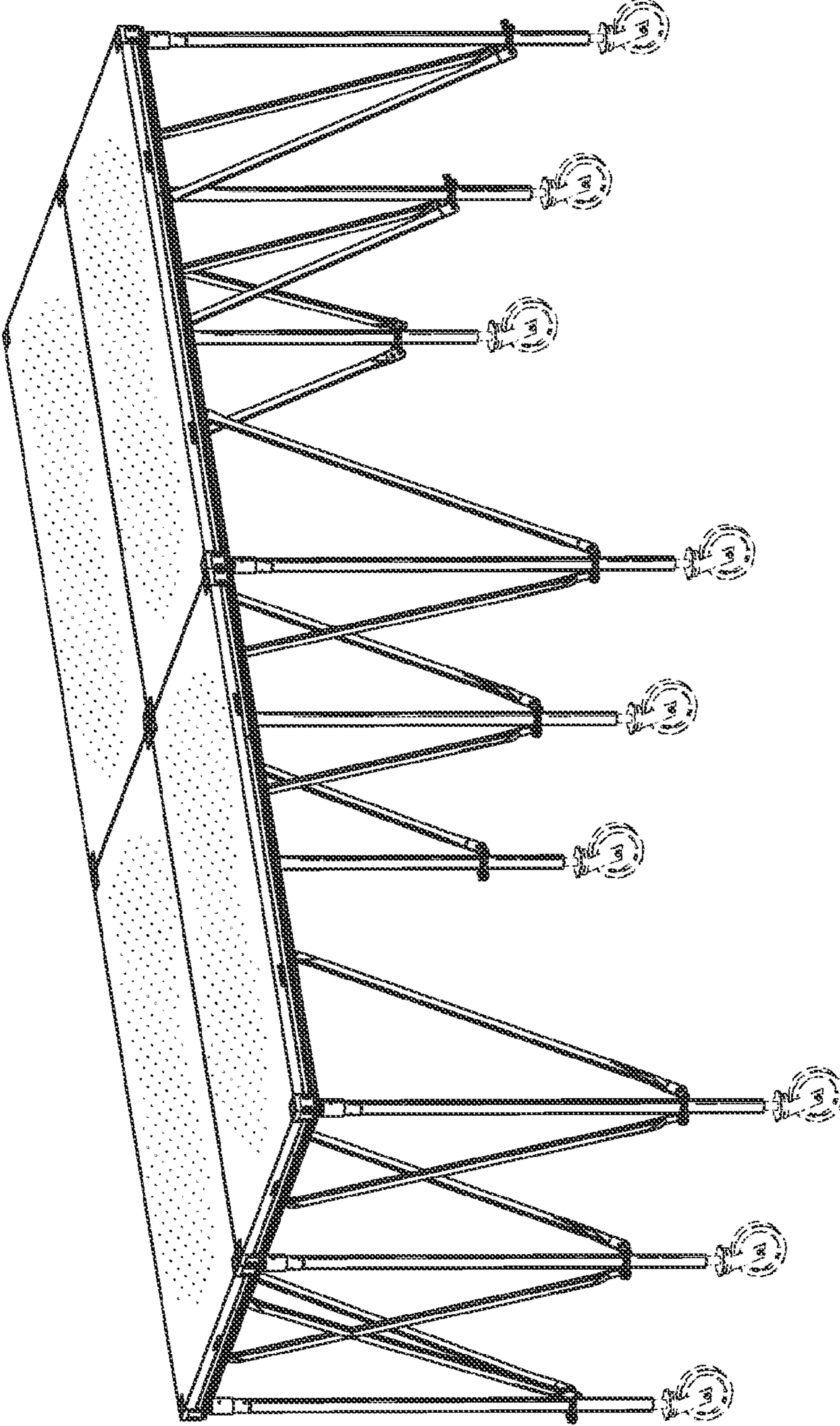


FIG. 1

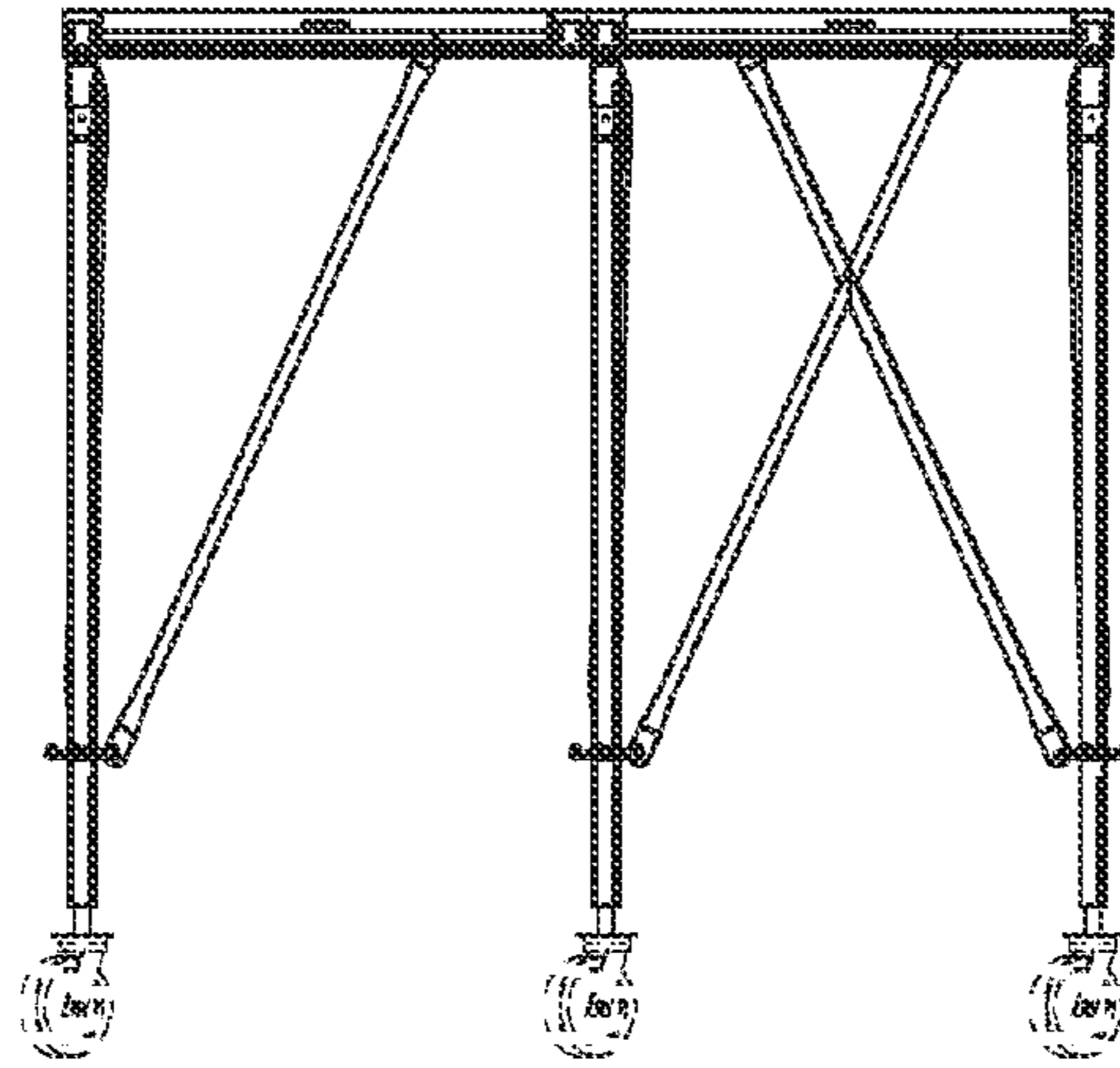


FIG. 2

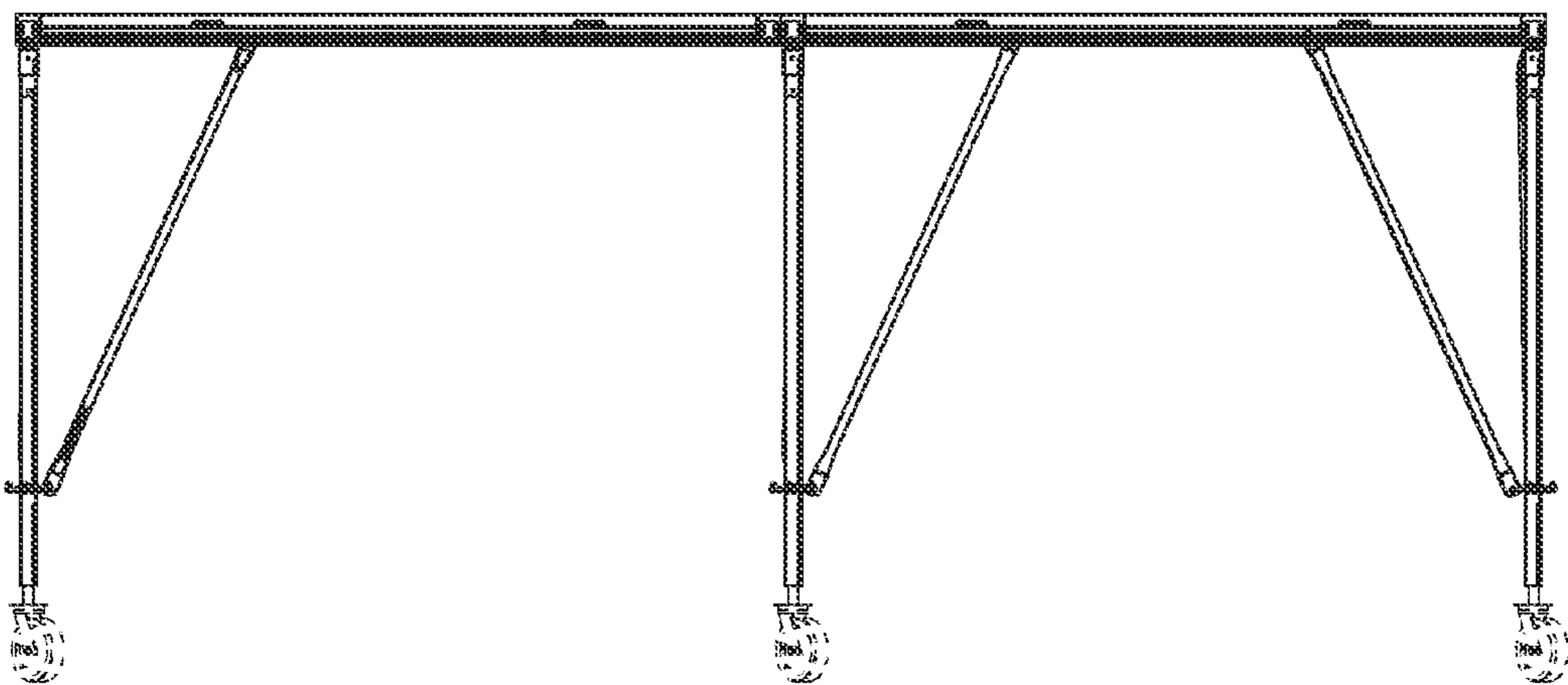


FIG. 3

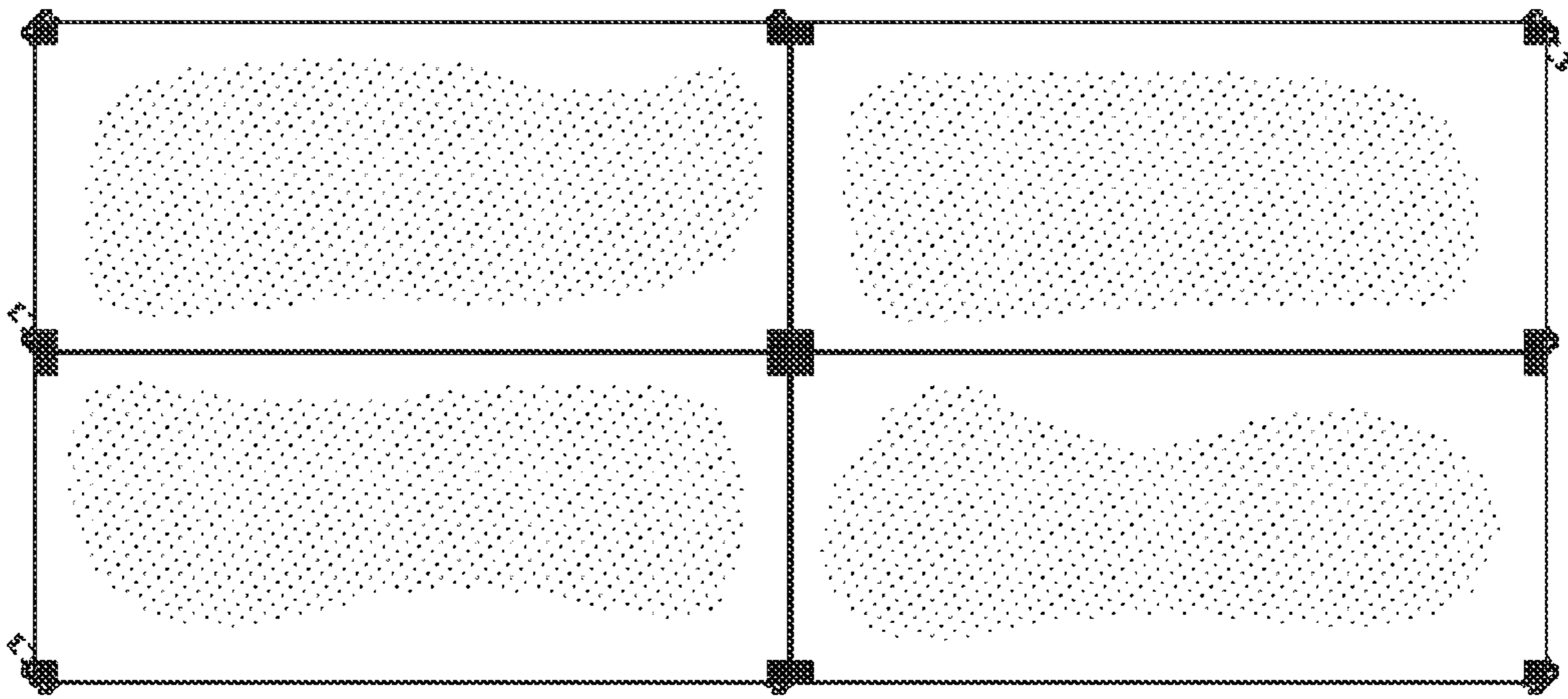


FIG. 4

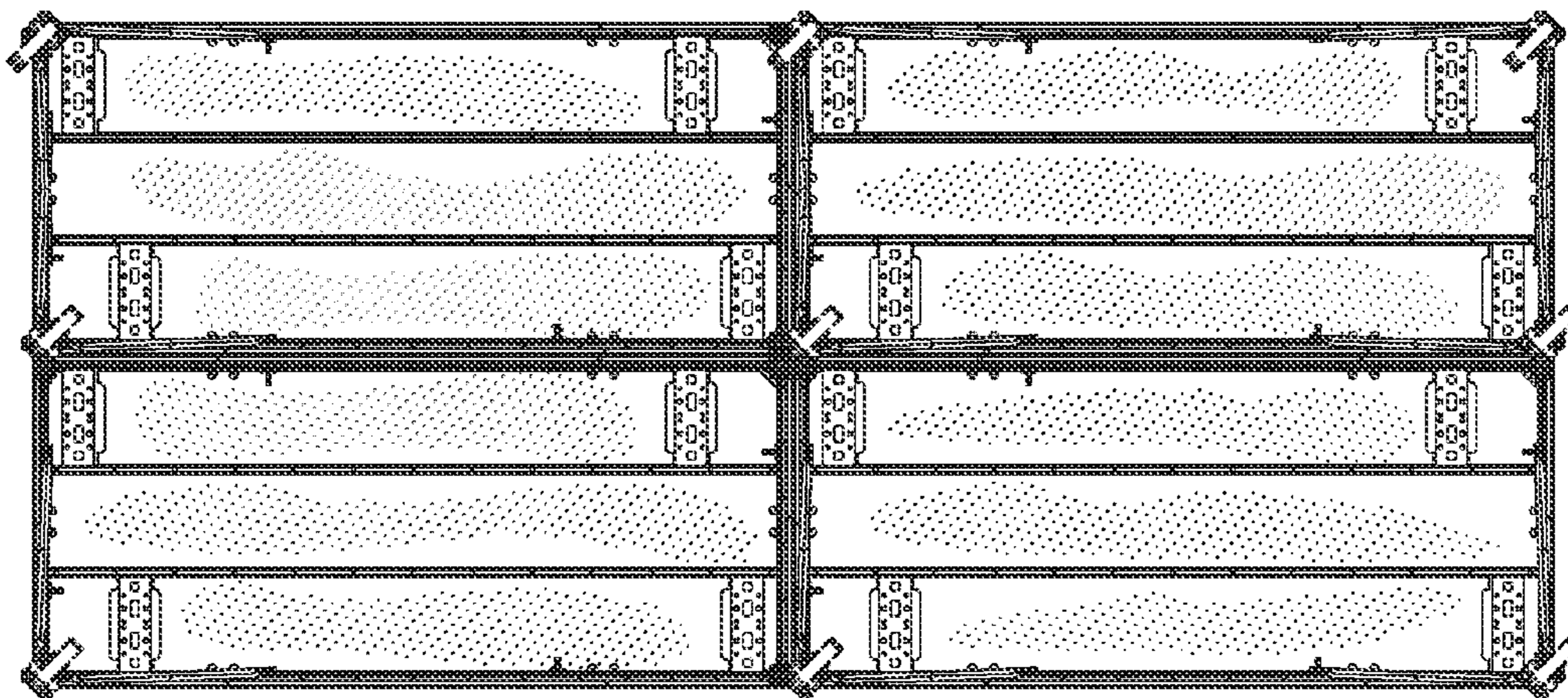


FIG. 5