

US00D675335S

(12) **United States Design Patent**
Feuerabend et al.

(10) **Patent No.:** **US D675,335 S**

(45) **Date of Patent:** **** Jan. 29, 2013**

(54) **DIAGNOSIS APPARATUS FOR LABORATORIES**

(75) Inventors: **Andrea Feuerabend**, Eindhoven (NL);
Antoinette van Oeffel, Sittard (NL);
Marco van Leeuwen, Eindhoven (NL);
Theo M. M. van het Hof, Sint Oedenrode (NL)

(73) Assignee: **Biocartis SA**, Lausanne (CH)

(**) Term: **14 Years**

(21) Appl. No.: **29/403,200**

(22) Filed: **Oct. 3, 2011**

(51) **LOC (9) Cl.** **24-01**

(52) **U.S. Cl.** **D24/216**

(58) **Field of Classification Search** D24/216,
D24/217, 219, 231, 232, 107, 169, 186; D10/81;
422/500, 547, 62-65, 67; 435/287.1, 287.3;
436/43, 45, 47

See application file for complete search history.

(56) **References Cited**

U.S. PATENT DOCUMENTS

D256,726	S	*	9/1980	Meuli et al.	D24/232
4,798,705	A	*	1/1989	Jakubowicz et al.	422/63
D299,860	S	*	2/1989	Fan et al.	D24/225
D323,893	S	*	2/1992	Arioka	D24/169
D334,065	S	*	3/1993	Collister	D24/232
D426,204	S	*	6/2000	Maio et al.	D14/356
D491,273	S	*	6/2004	Biegler et al.	D24/216
D498,850	S	*	11/2004	Ukon	D24/223
7,098,041	B2	*	8/2006	Kaylor et al.	436/518

D552,740	S	*	10/2007	Park	D24/186
D600,578	S	*	9/2009	Tsuji	D10/81
D631,968	S	*	2/2011	Sevel	D24/169
D637,930	S	*	5/2011	Kimura et al.	D10/81
8,088,332	B2	*	1/2012	Haas et al.	422/68.1
2011/0229373	A1	*	9/2011	Asakura	422/63
2011/0293488	A1	*	12/2011	Nichols et al.	422/500

* cited by examiner

Primary Examiner — Anhdao Doan

(74) *Attorney, Agent, or Firm* — Honigman Miller Schwartz and Cohn LLP

(57) **CLAIM**

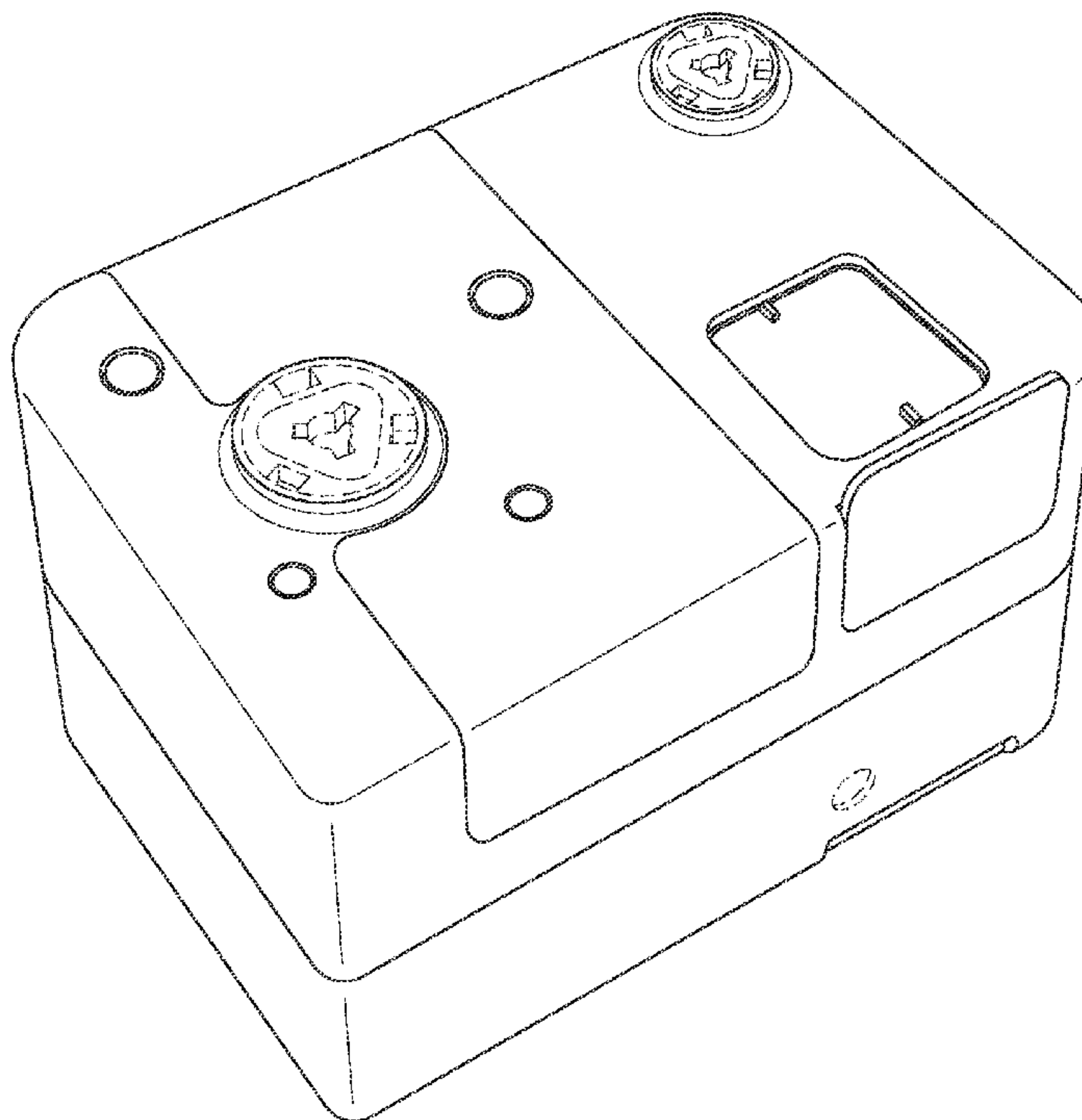
The ornamental design for a diagnosis apparatus for laboratories, as shown and described.

DESCRIPTION

FIG. 1 is a right-front perspective view of a diagnosis apparatus for laboratories, showing our new design; FIG. 2 is another right-front perspective view thereof shown in an alternate condition of use; FIG. 3 is a left-front perspective view thereof; FIG. 4 is a rear perspective view thereof; FIG. 5 is a top view thereof; FIG. 6 is a front view thereof; FIG. 7 is a right side view thereof; and, FIG. 8 is a left side view thereof.

The broken lines in the drawing views are included for the purpose of illustrating portions of the diagnosis apparatus for laboratories that form no part of the claimed design.

1 Claim, 8 Drawing Sheets



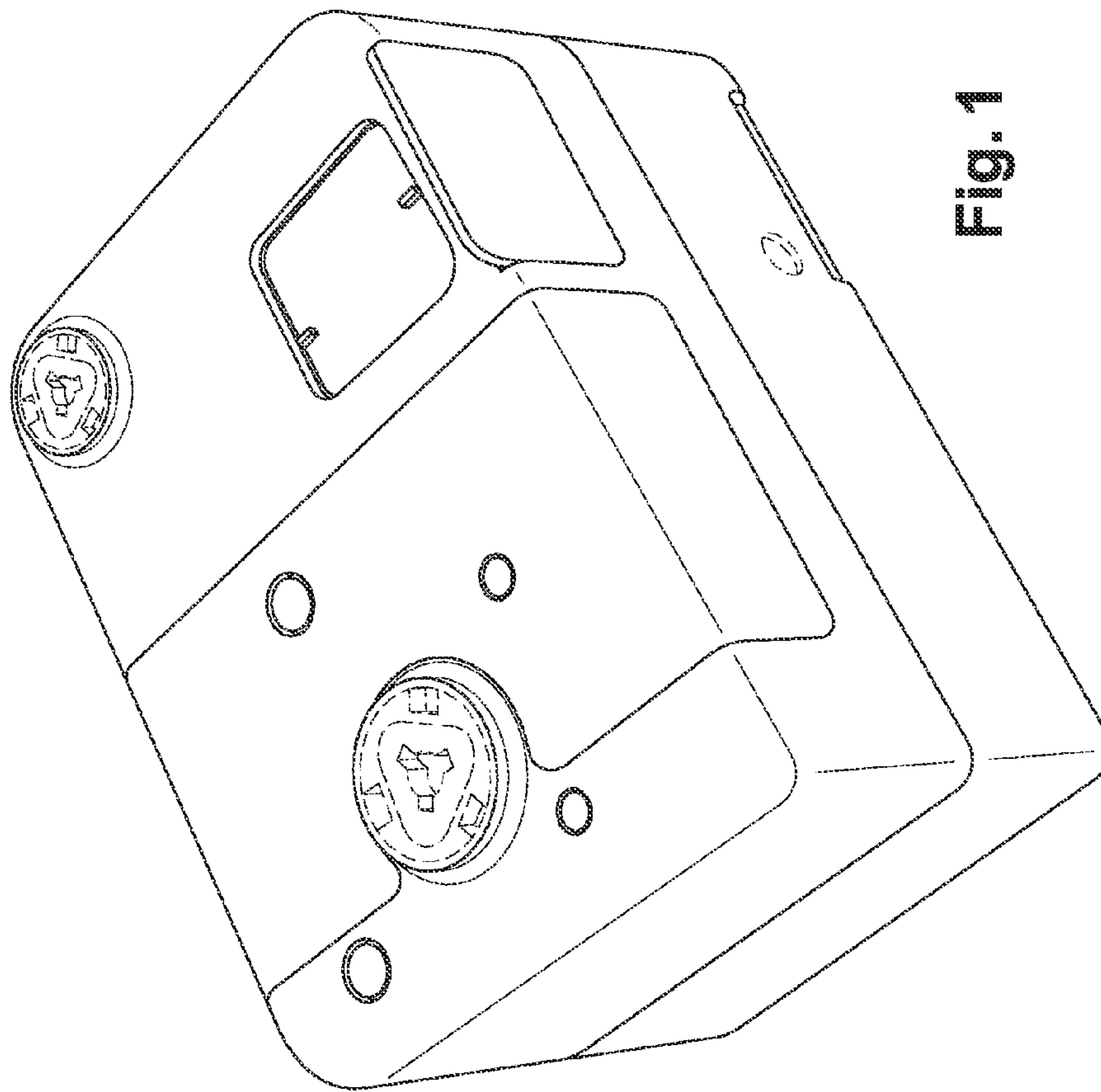


Fig. 1

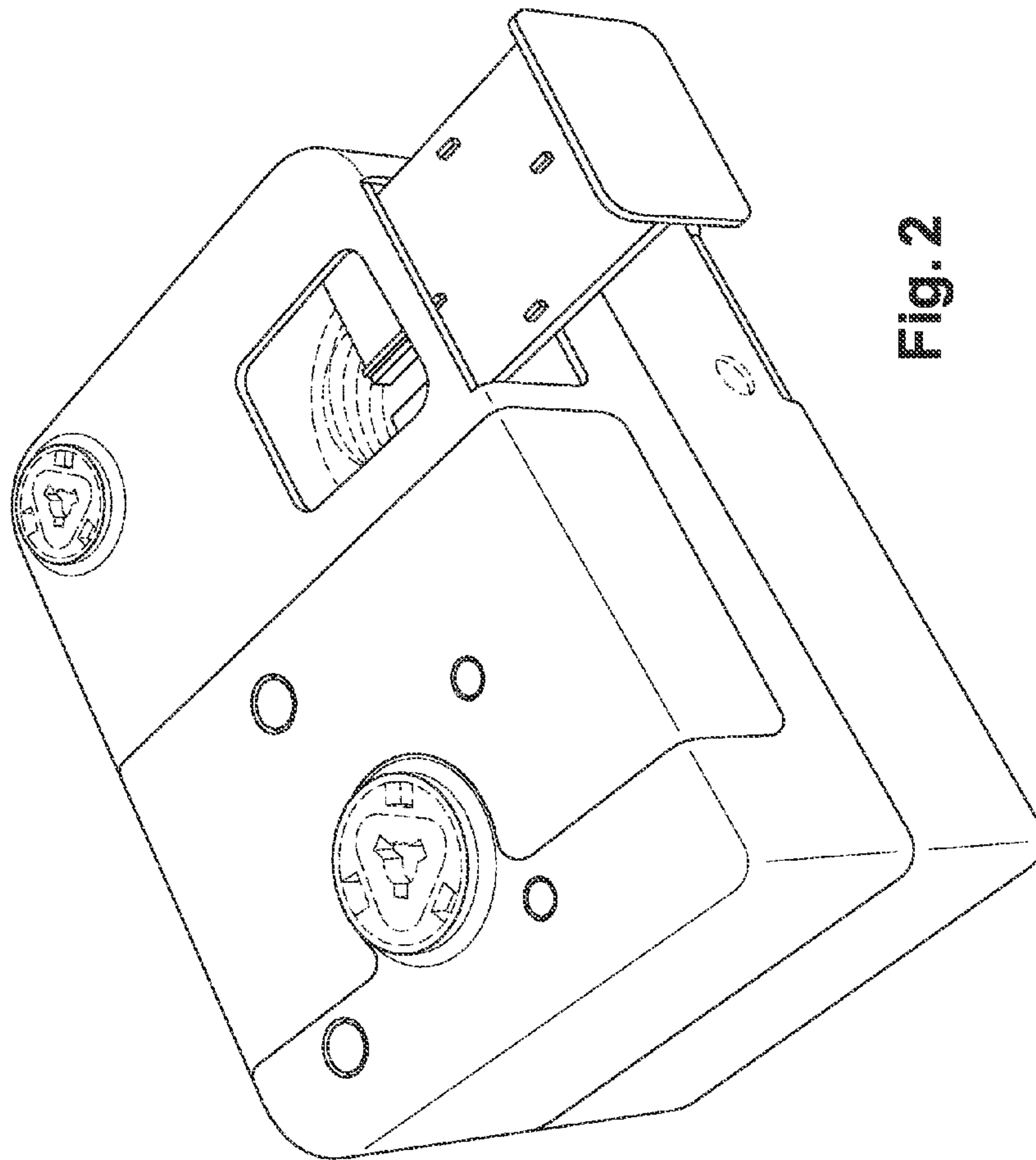


Fig. 2

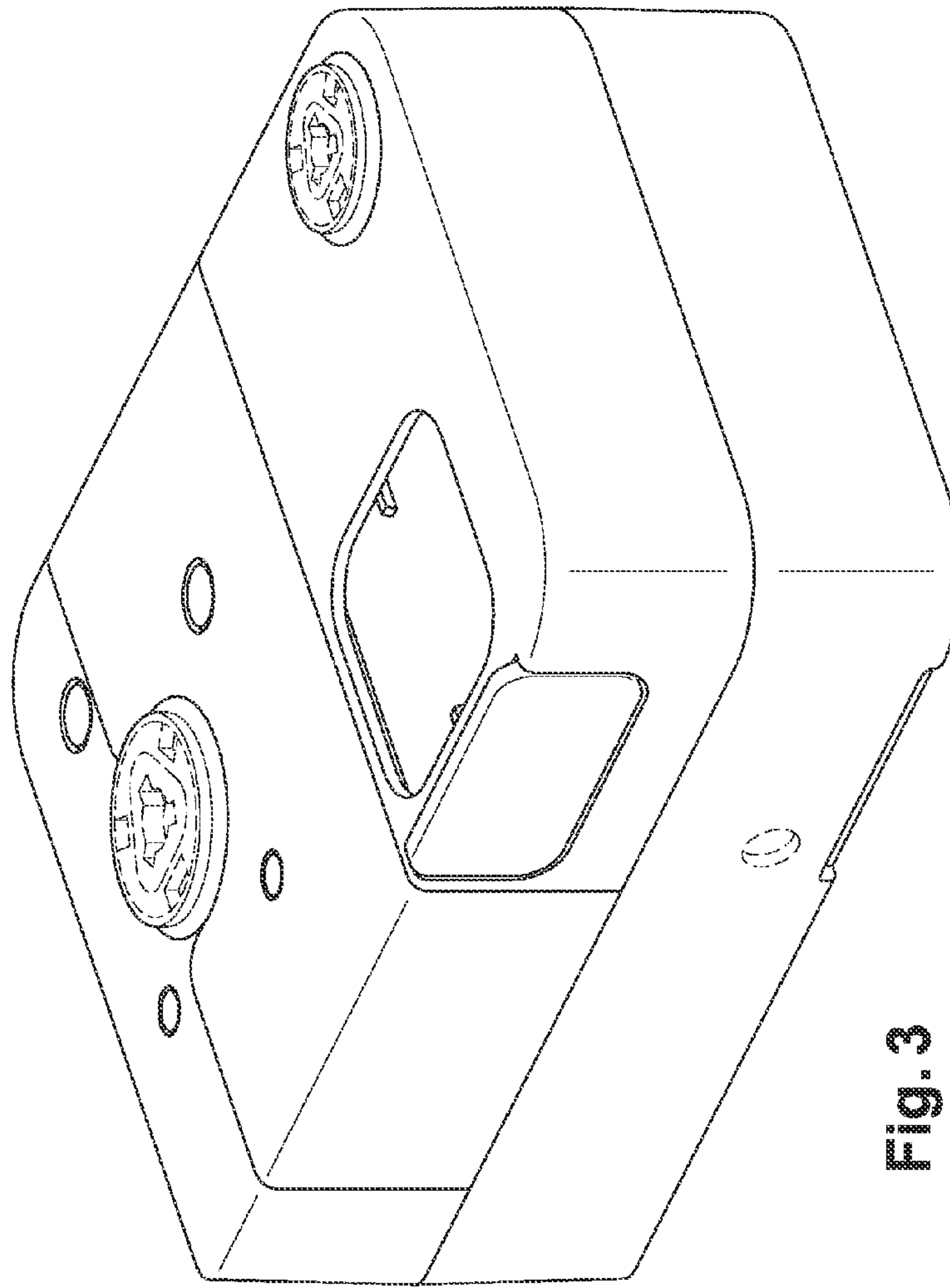


Fig. 3

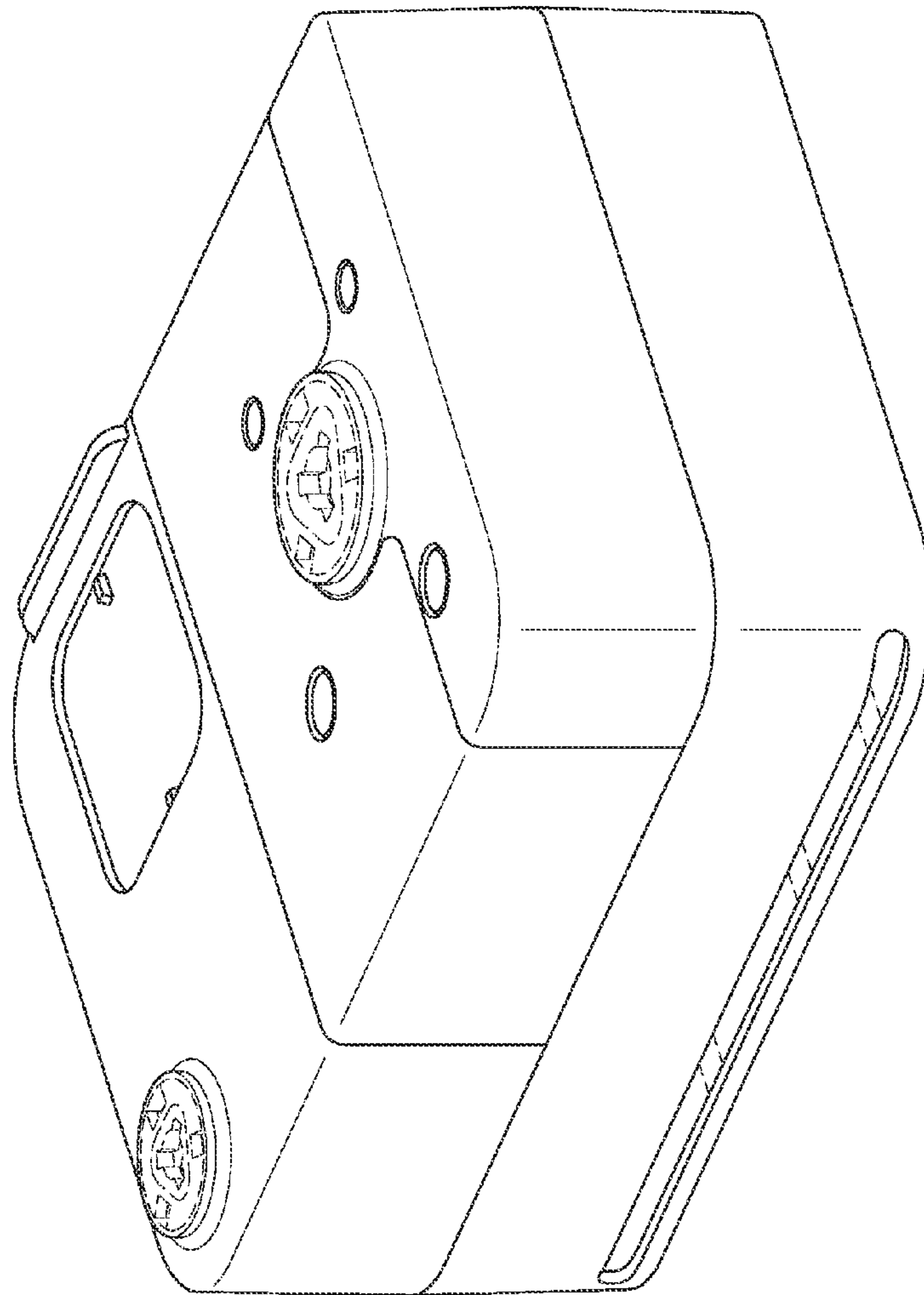


Fig. 4

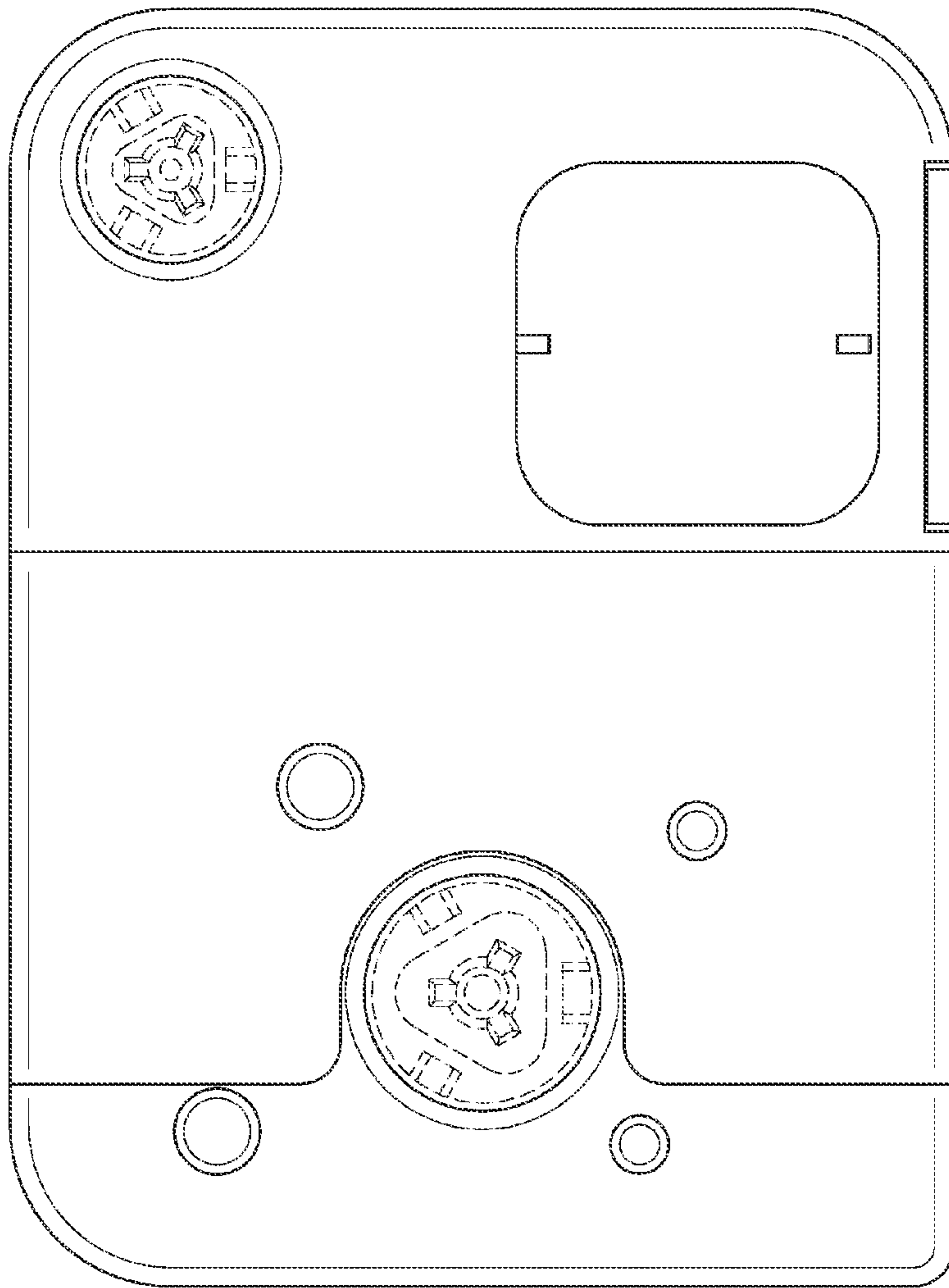


Fig. 5

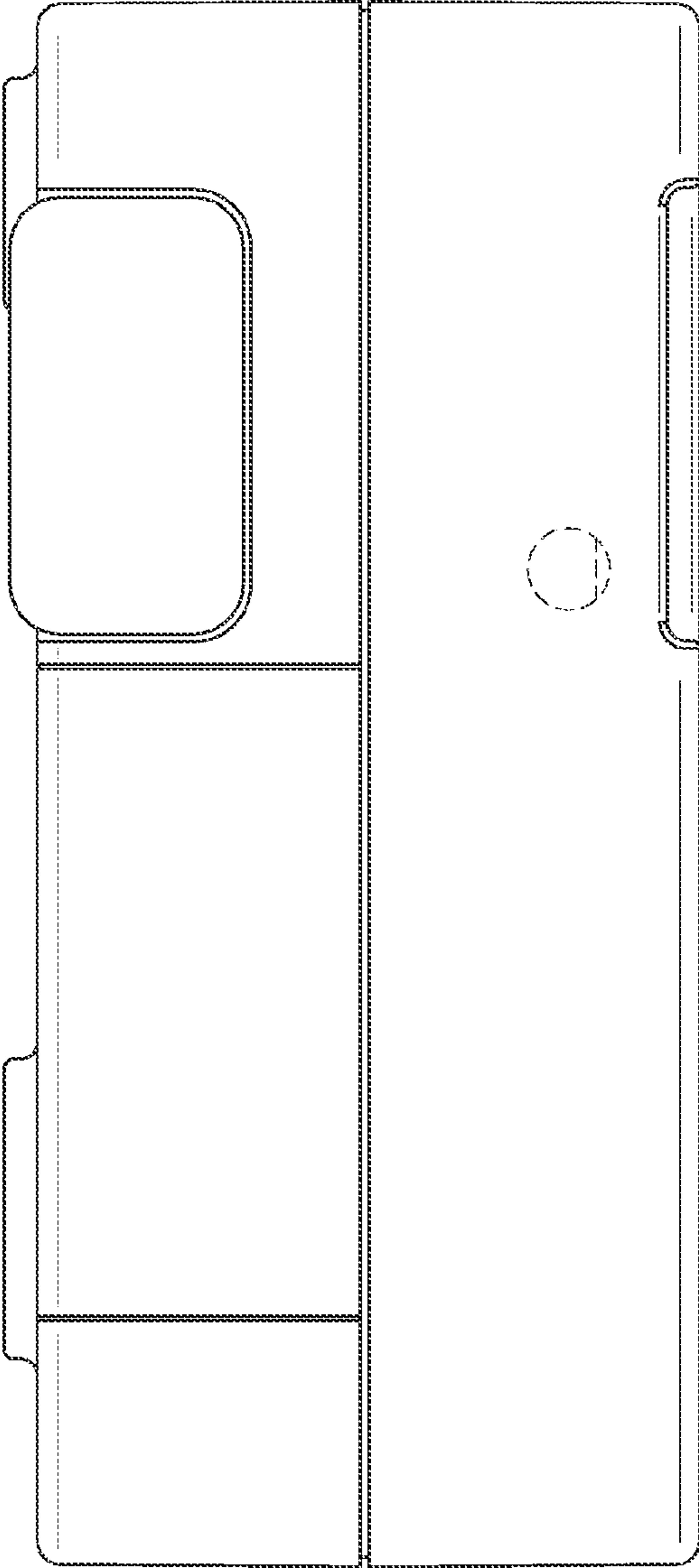


Fig. 6

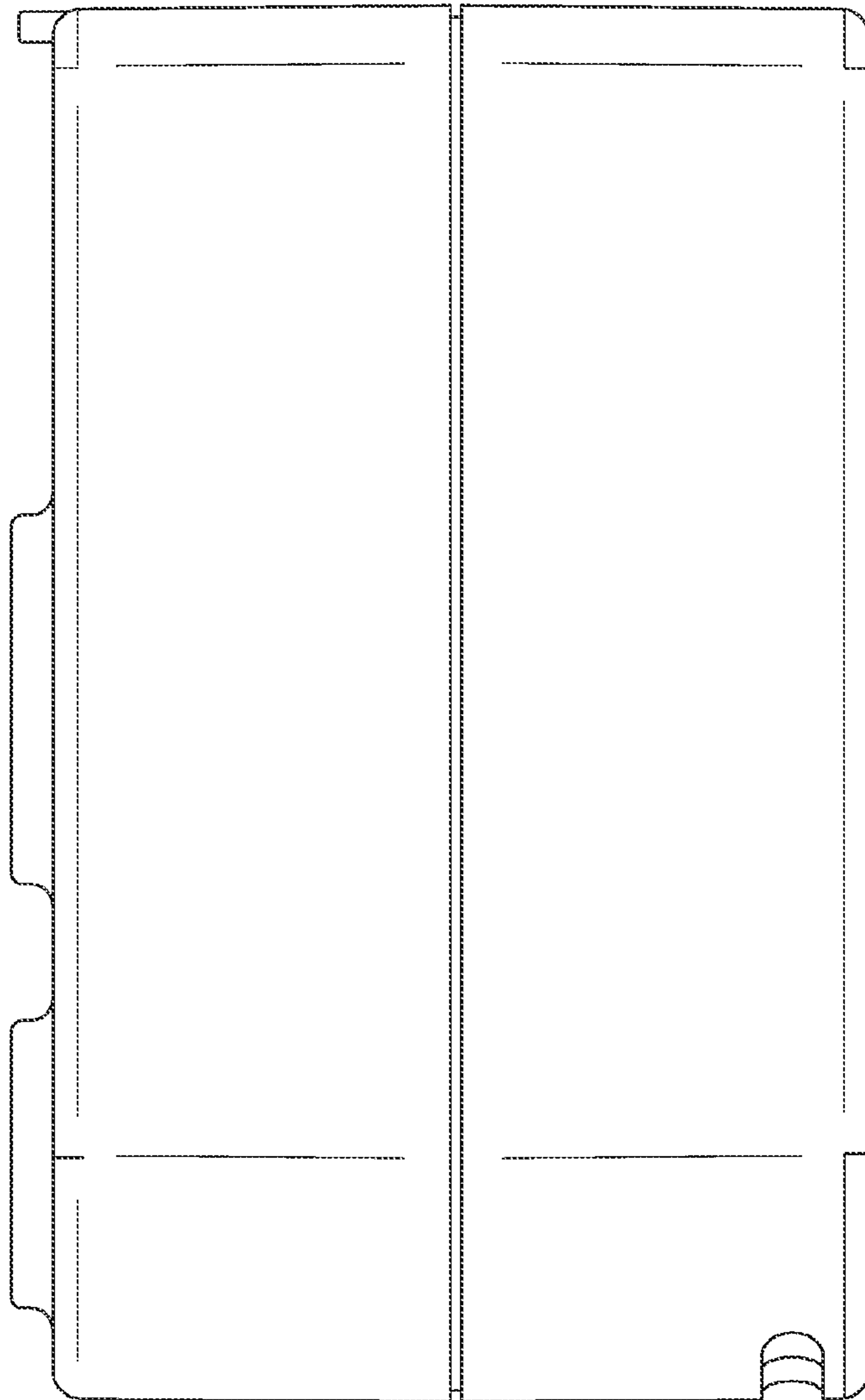


Fig. 7

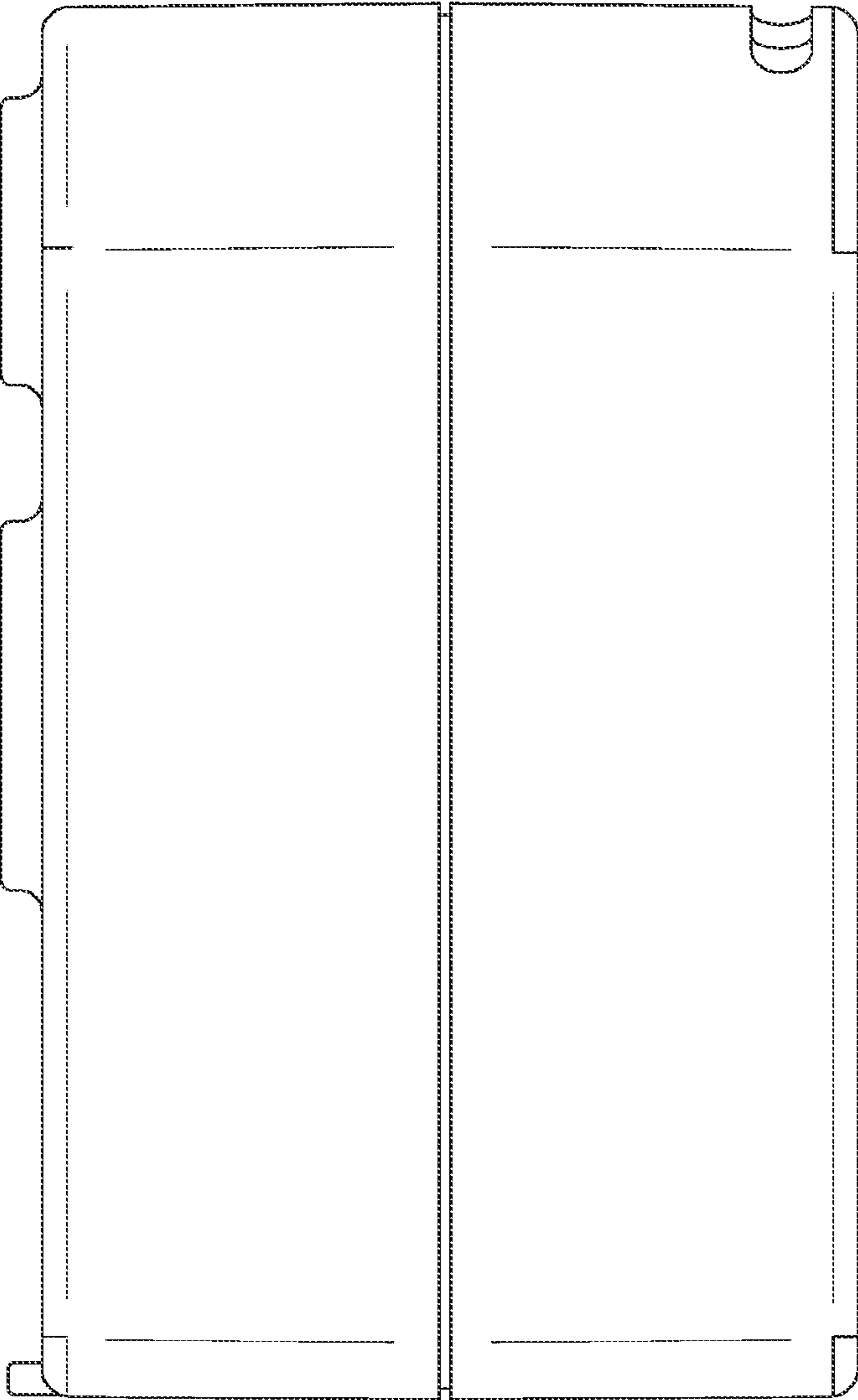


Fig. 8