



US00D675334S

(12) **United States Design Patent**
Luzon et al.

(10) **Patent No.:** **US D675,334 S**
(45) **Date of Patent:** **** Jan. 29, 2013**

- (54) **SURFACE TREATMENT PAD**
- (75) Inventors: **Josef Luzon**, Bet Yehoshua (IL); **Martin Gurovich**, Tel Aviv (IL); **Shamir Fox**, Bror Chail (IL)
- (73) Assignee: **Derma Dream Group Ltd.**, Road Town, Tortola (VG)
- (**) Term: **14 Years**
- (21) Appl. No.: **29/426,244**
- (22) Filed: **Jul. 2, 2012**
- (51) **LOC (9) Cl.** **28-03**
- (52) **U.S. Cl.** **D24/215**
- (58) **Field of Classification Search** D24/200,
D24/211-215, 141; 601/27, 28, 33, 40, 46,
601/47, 48, 63, 80, 99, 104, 112, 113, 114,
601/119, 122, 125, 129, 134, 135, 137, DIG. 12,
601/DIG. 13, DIG. 14, DIG. 15, DIG. 16,
601/DIG. 17
See application file for complete search history.

- D469,880 S * 2/2003 York D24/214
- D502,264 S * 2/2005 Timmer D24/211
- D507,057 S * 7/2005 Timmer D24/211
- D535,752 S * 1/2007 Smith D24/214
- D559,394 S * 1/2008 Ji D24/214
- D637,306 S * 5/2011 Feuerabend et al. D24/215

* cited by examiner

Primary Examiner — Sandra Snapp

(74) *Attorney, Agent, or Firm* — Pearl Cohen Zedek Latzer LLP

(57) **CLAIM**

The ornamental design for a surface treatment pad, as shown and described.

DESCRIPTION

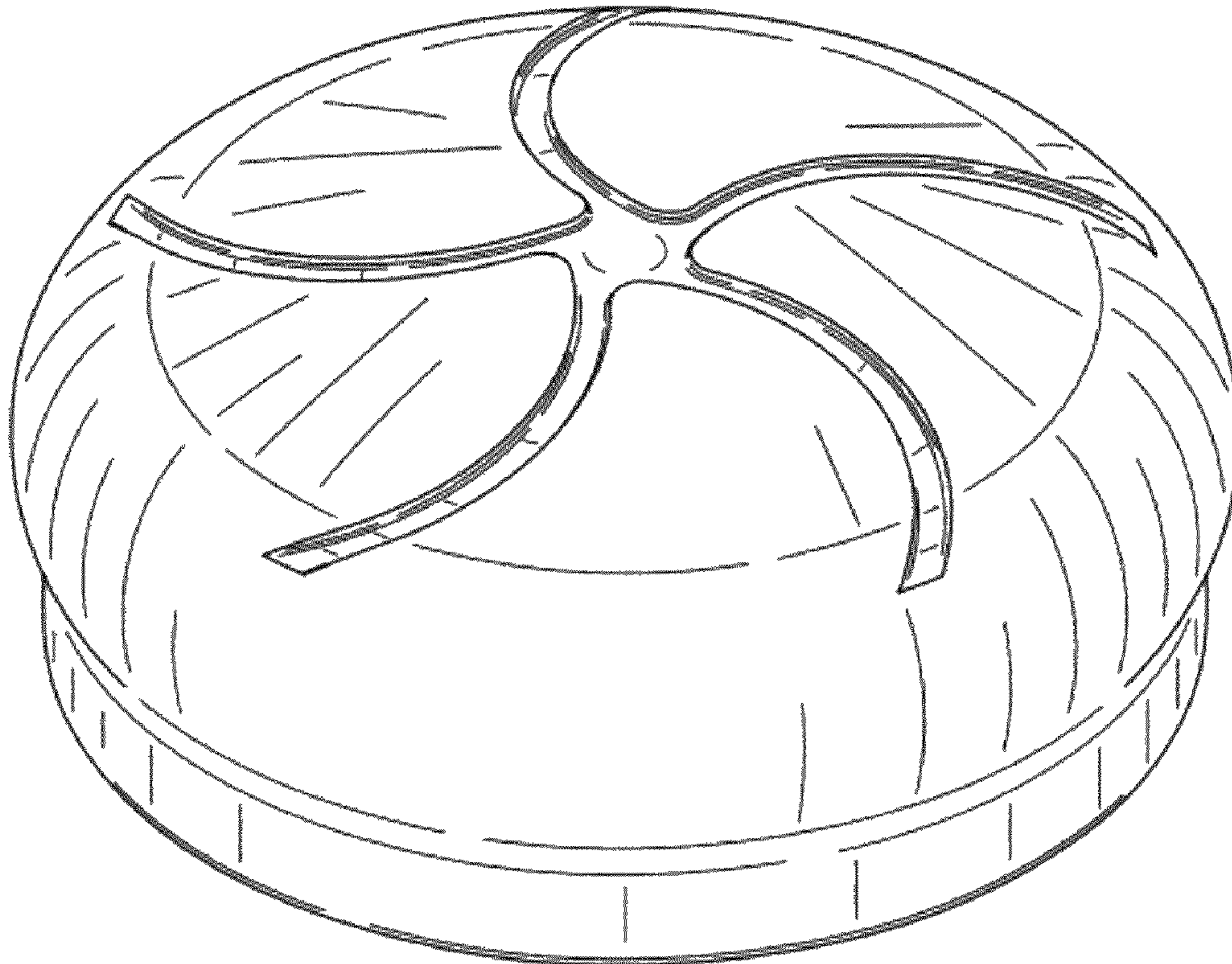
FIG. 1 is a top, front, right side perspective view of the surface treatment pad;
 FIG. 2 is a front elevational view thereof;
 FIG. 3 is a back elevational view thereof;
 FIG. 4 is a right side elevational view thereof;
 FIG. 5 is a left side elevational view thereof;
 FIG. 6 is a top plan view thereof; and,
 FIG. 7 is a bottom plan view thereof.
 The structure in broken lines forms no part of the claimed design.

(56) **References Cited**

U.S. PATENT DOCUMENTS

- D214,111 S * 5/1969 Anderson D24/214
- D403,076 S * 12/1998 York D24/214
- D454,644 S * 3/2002 York D24/214

1 Claim, 3 Drawing Sheets



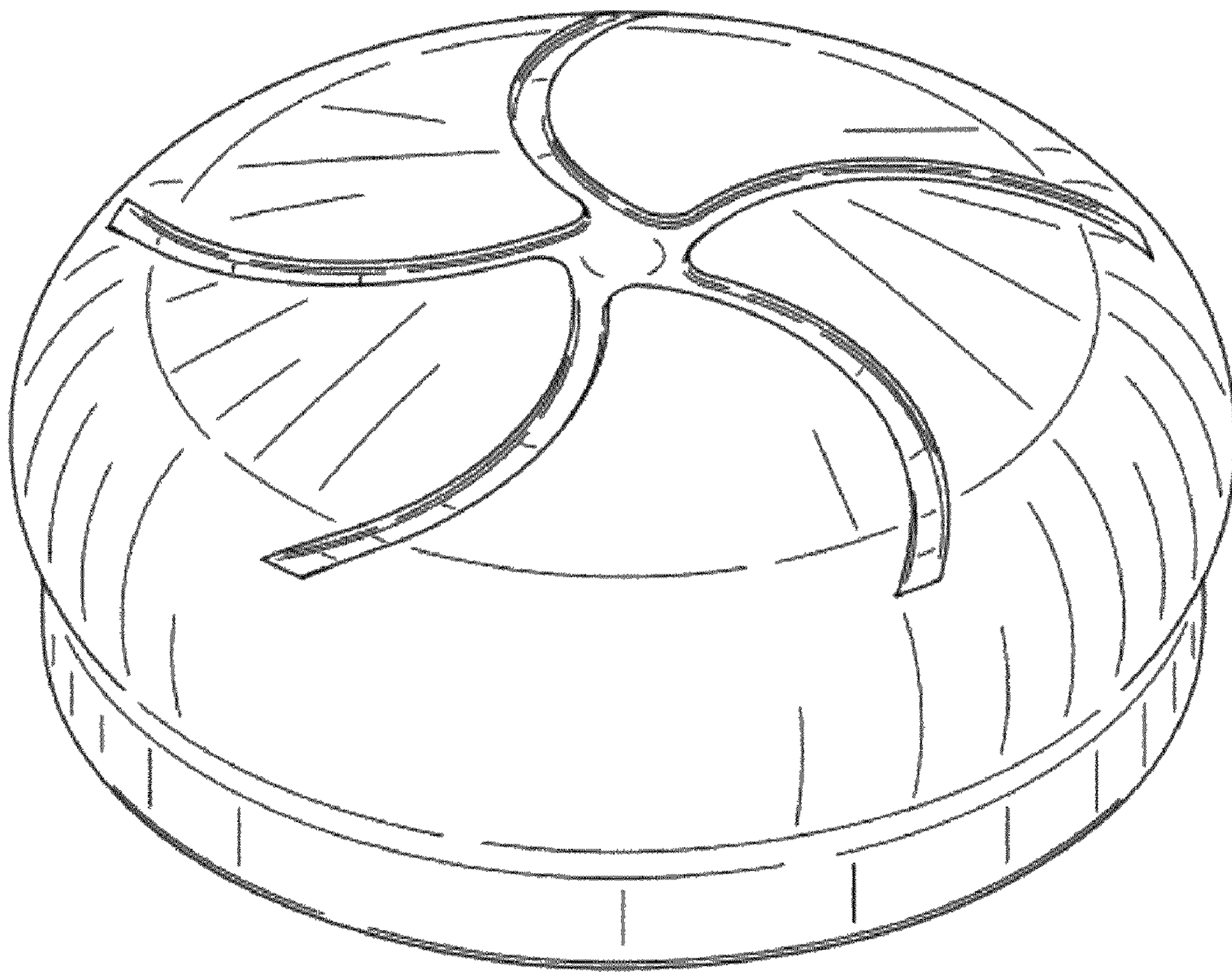


FIG. 1

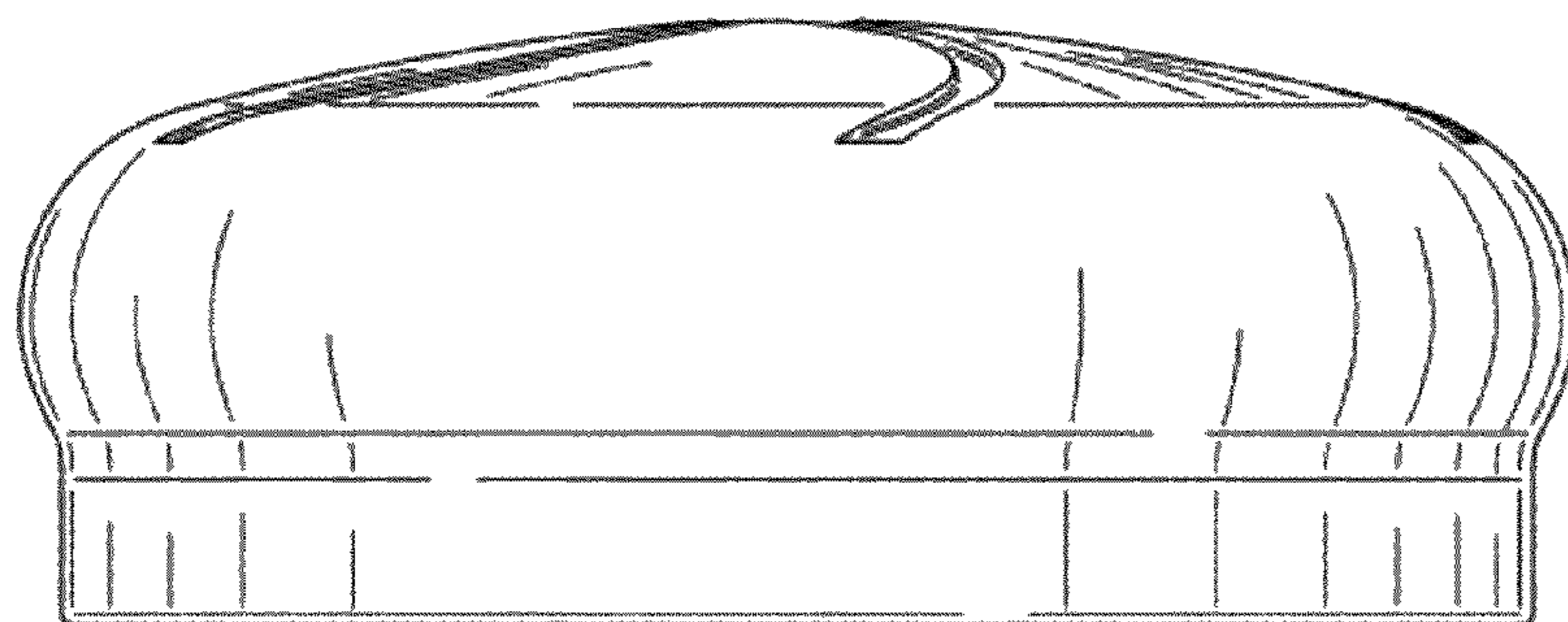


FIG. 2

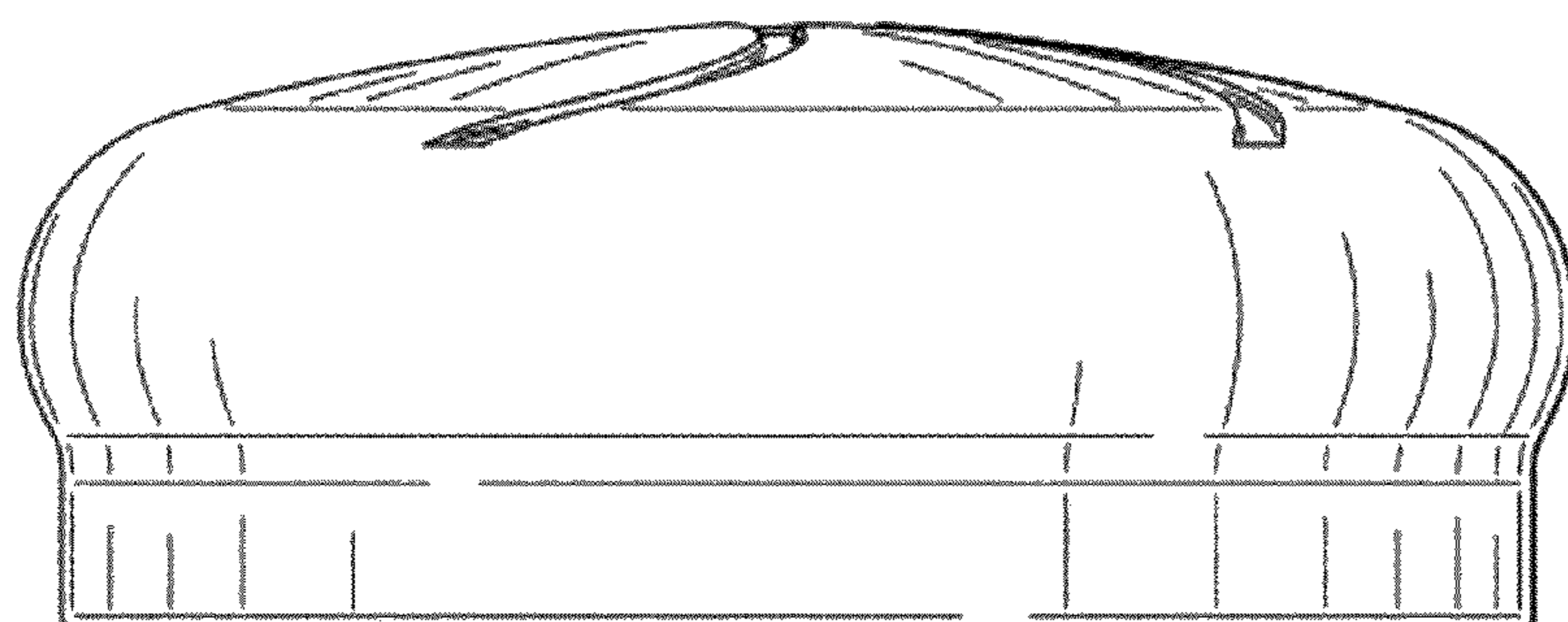


FIG. 3

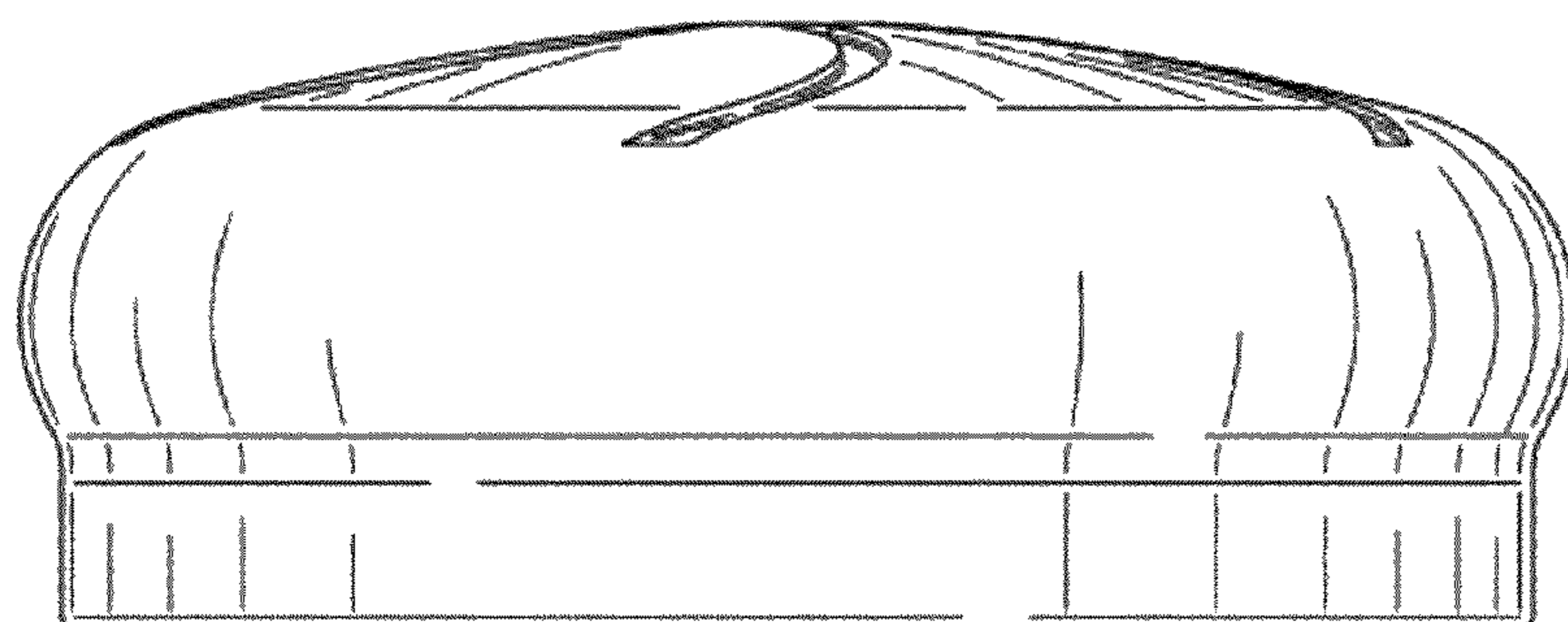


FIG. 4

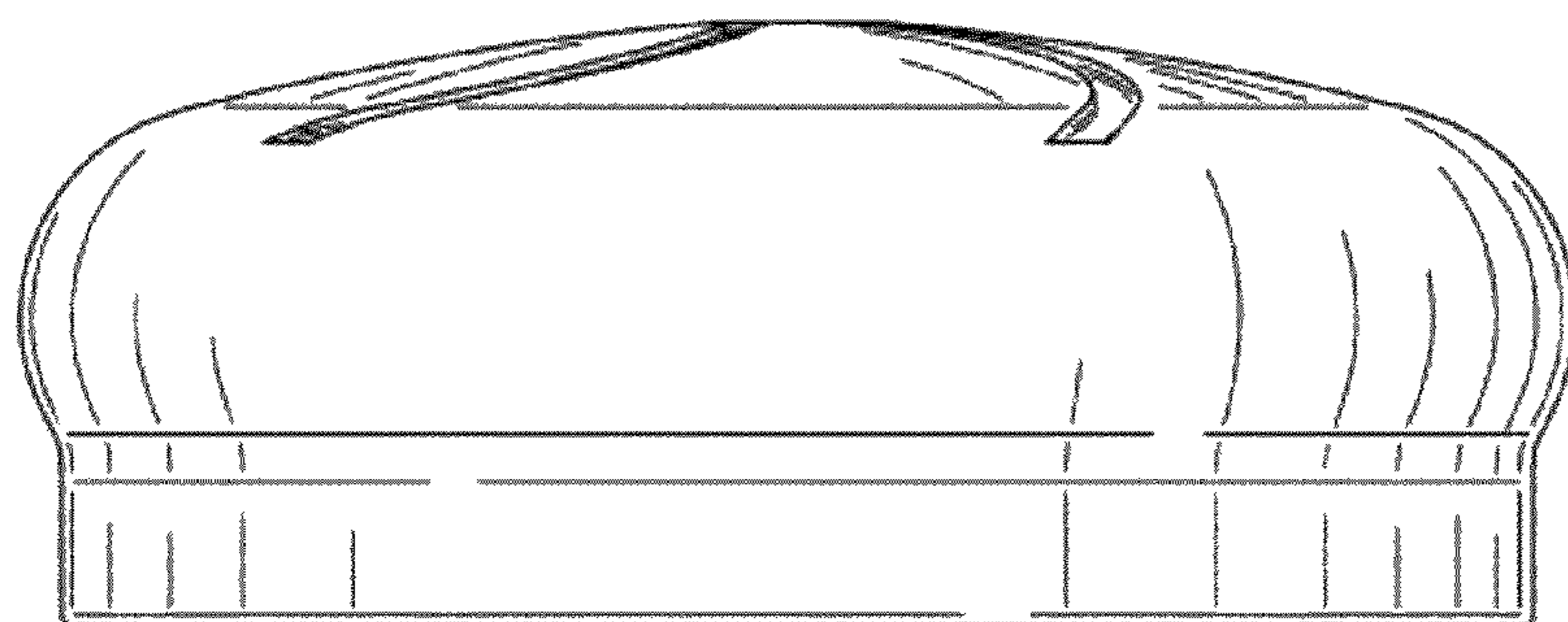


FIG. 5

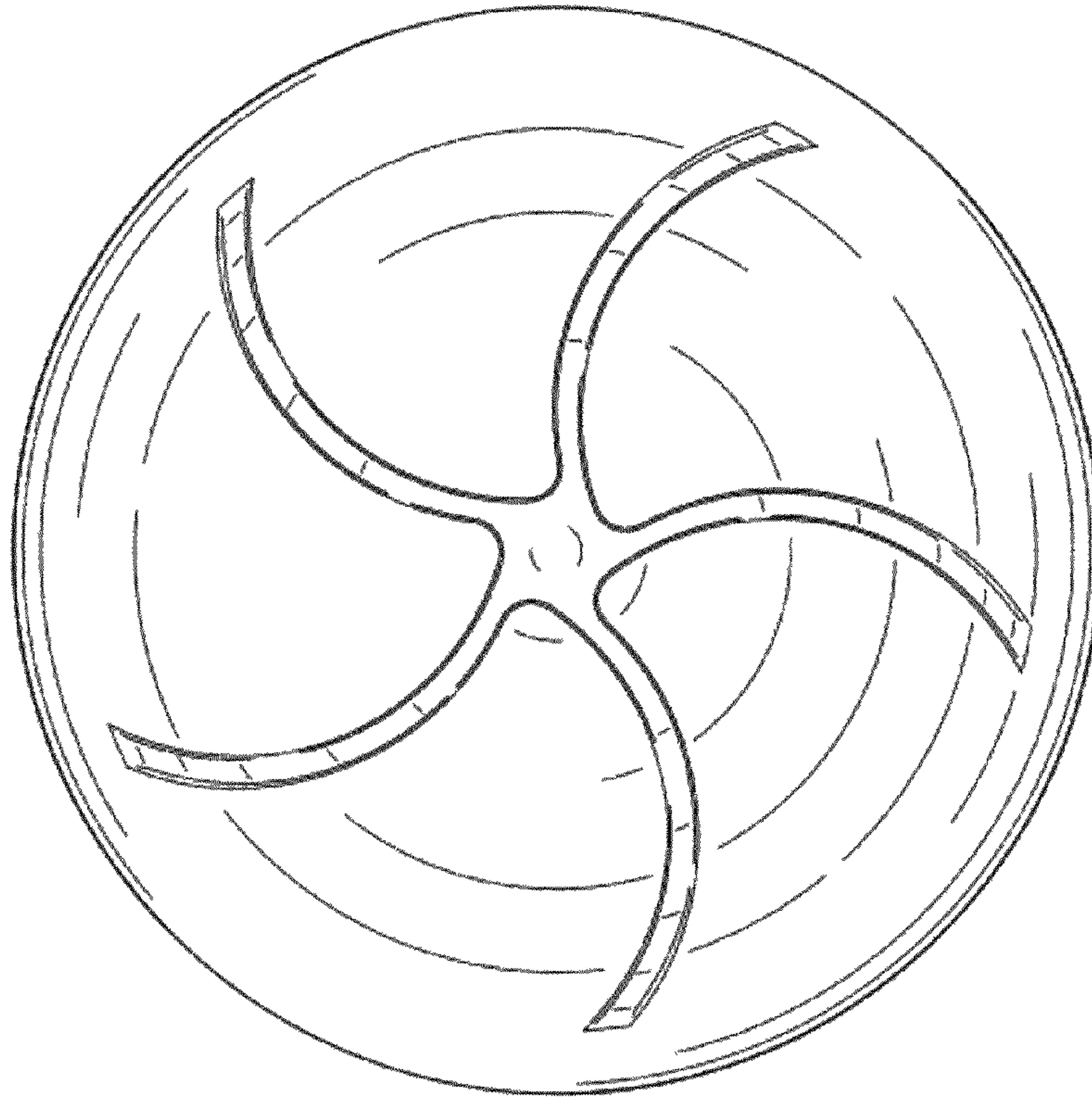


FIG. 6

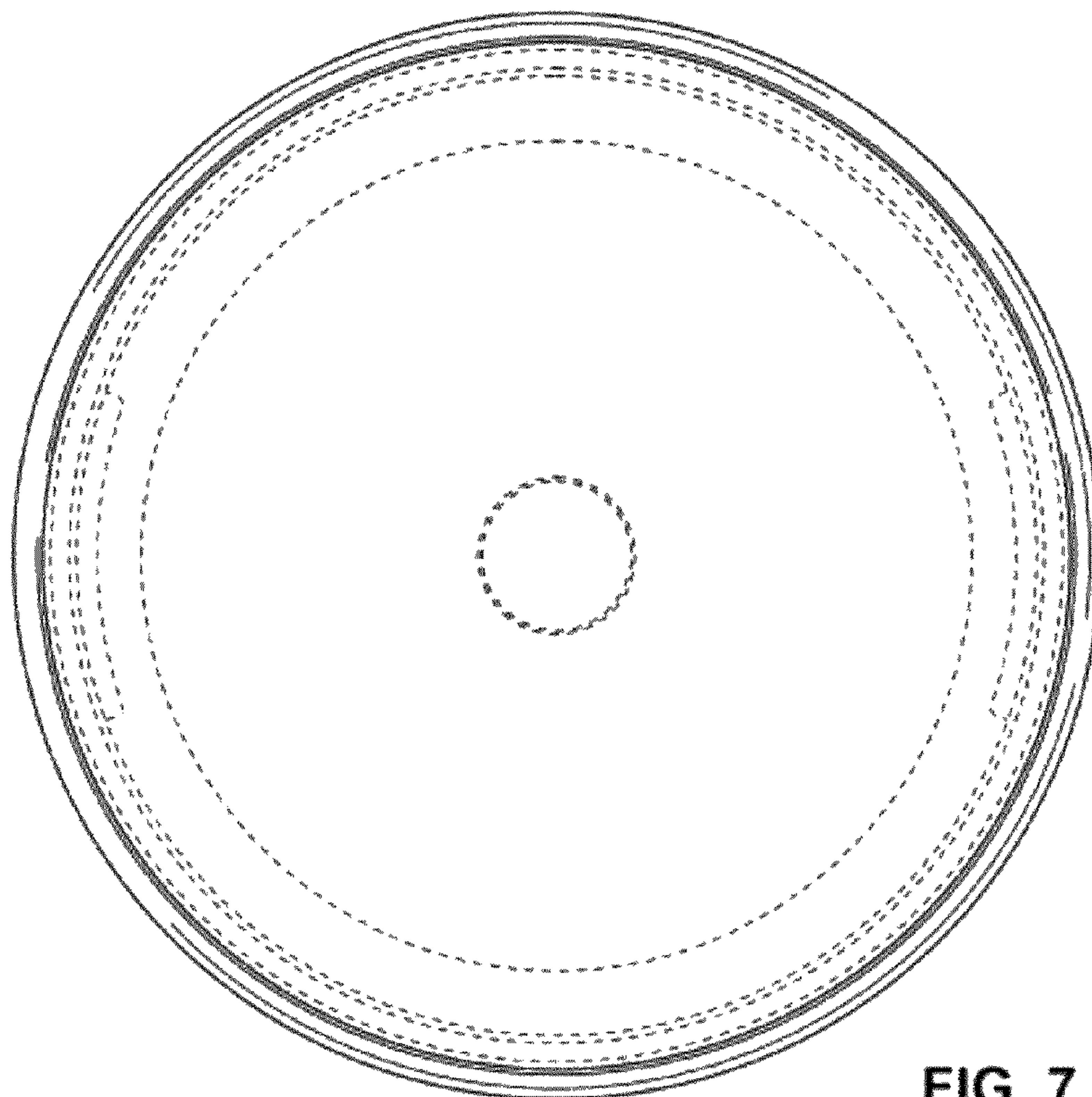


FIG. 7