

US00D675333S

(12) **United States Design Patent**
Luzon et al.

(10) **Patent No.:** **US D675,333 S**
(45) **Date of Patent:** **** Jan. 29, 2013**

(54) **SURFACE TREATMENT PAD**
(75) Inventors: **Josef Luzon**, Bet Yehoshua (IL); **Martin Gurovich**, Tel Aviv (IL); **Shamir Fox**, Bror Chail (IL)

(73) Assignee: **Derma Dream Group Ltd.**, Road Town, Tortola (VG)

(**) Term: **14 Years**

(21) Appl. No.: **29/426,224**

(22) Filed: **Jul. 2, 2012**

(51) **LOC (9) Cl.** **28-03**

(52) **U.S. Cl.** **D24/215**

(58) **Field of Classification Search** D24/200,
D24/211-215, 141; 601/27, 28, 33, 40, 46,
601/47, 48, 63, 80, 99, 104, 112, 113, 114,
601/119, 122, 125, 129, 134, 135, 137, DIG. 12,
601/DIG. 13, DIG. 14, DIG. 15, DIG. 16,
601/DIG. 17

See application file for complete search history.

(56) **References Cited**

U.S. PATENT DOCUMENTS

D214,111 S * 5/1969 Anderson D24/214
D403,076 S * 12/1998 York D24/214

D454,644 S * 3/2002 York D24/214
D469,880 S * 2/2003 York D24/214
D502,264 S * 2/2005 Timmer D24/211
D507,057 S * 7/2005 Timmer D24/211
D535,752 S * 1/2007 Smith D24/214
D559,394 S * 1/2008 Ji D24/214
D637,306 S * 5/2011 Feuerabend et al. D24/215

* cited by examiner

Primary Examiner — Sandra Snapp

(74) *Attorney, Agent, or Firm* — Pearl Cohen Zedek Latzer, LLP

(57) **CLAIM**

The ornamental design for a surface treatment pad, as shown and described.

DESCRIPTION

FIG. 1 is a top, front, right side perspective view of the surface treatment pad;

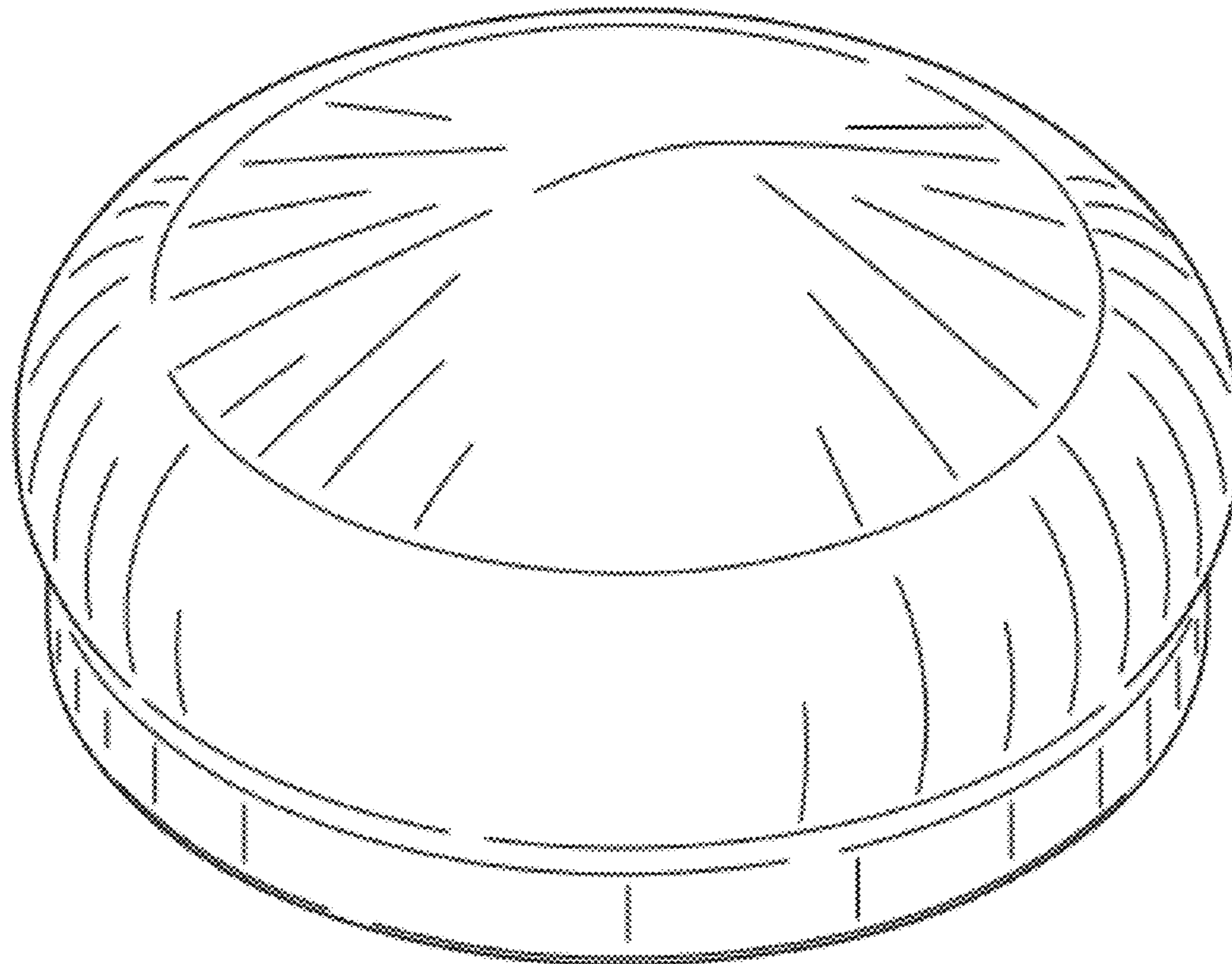
FIG. 2 is a front elevational view thereof, the back, right side and left side elevational views being identical thereto;

FIG. 3 is a top plan view thereof; and,

FIG. 4 is a bottom plan view thereof.

The structure in broken lines forms no part of the claimed design.

1 Claim, 2 Drawing Sheets



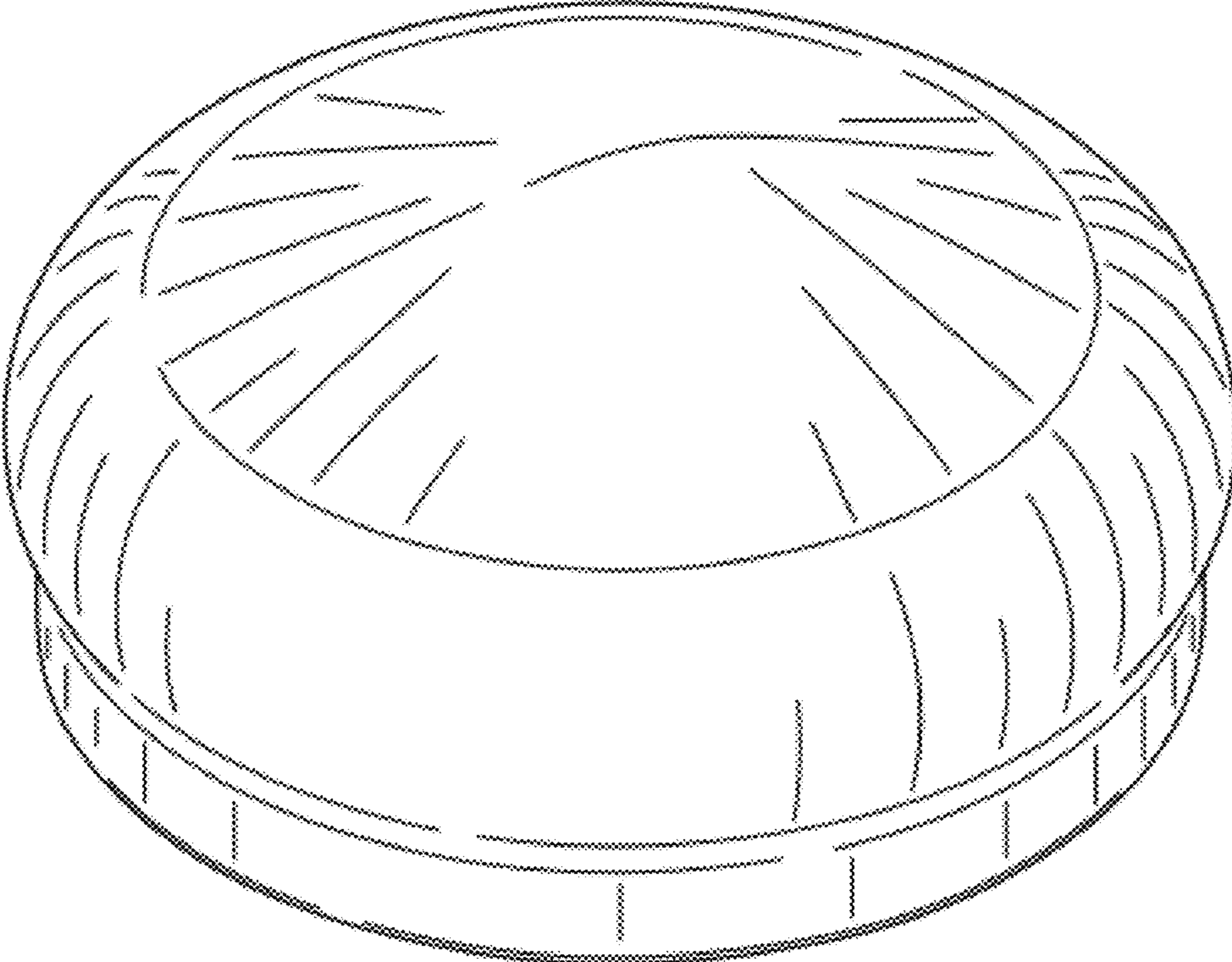


FIG. 1

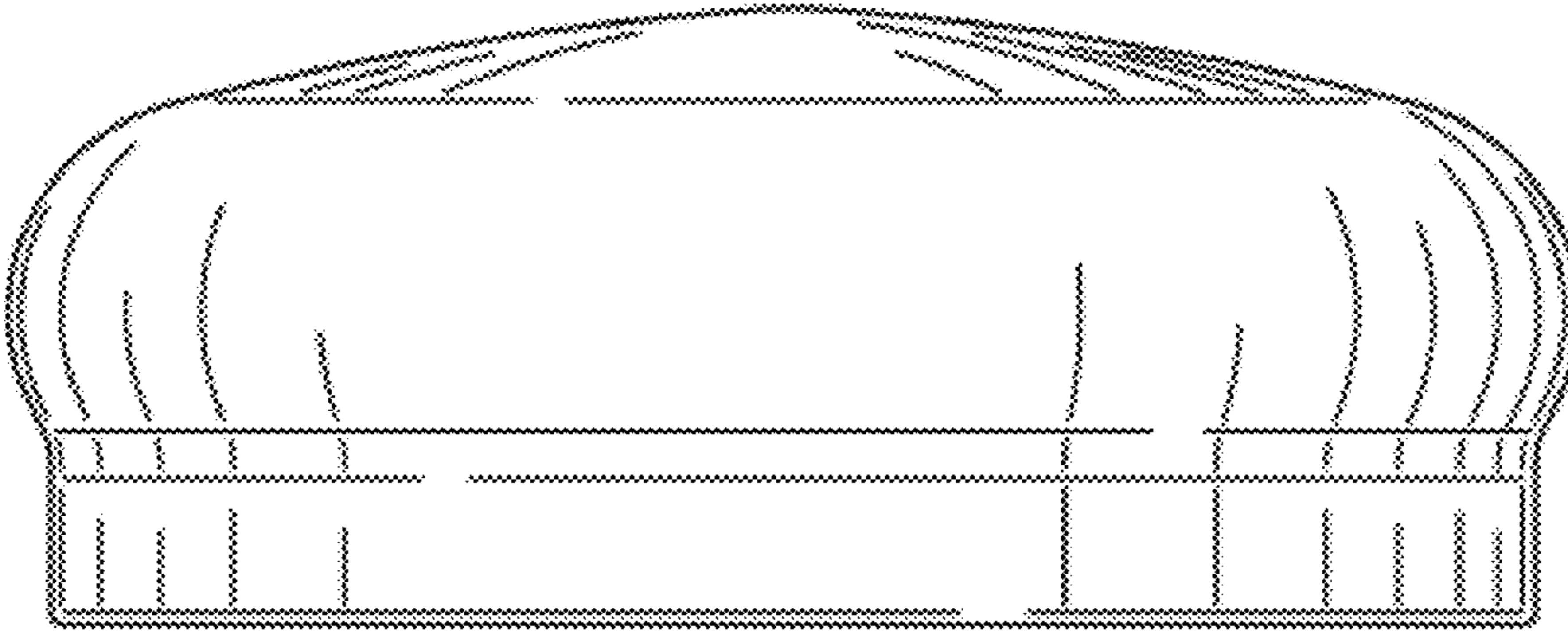


FIG. 2

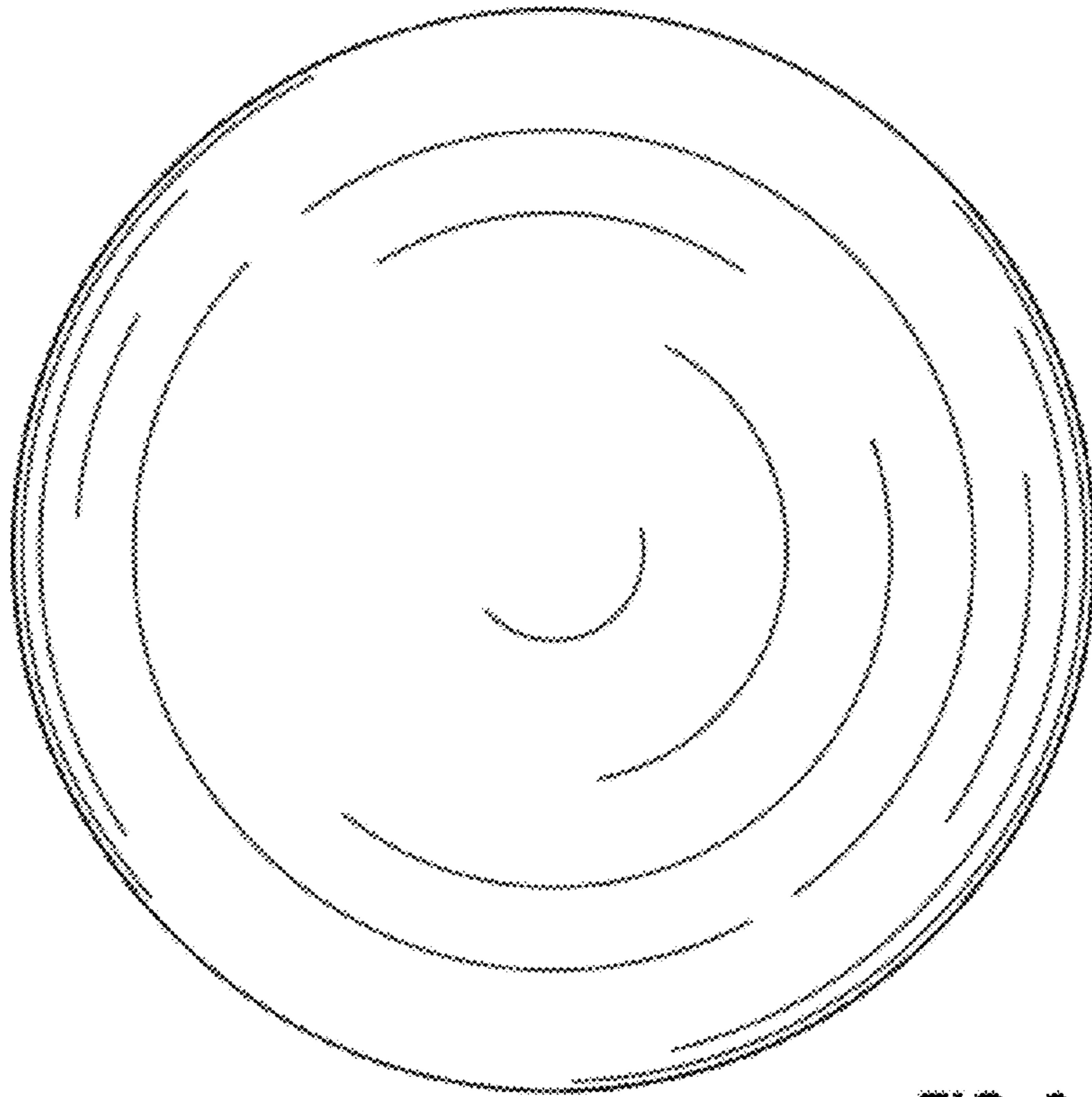


FIG. 3

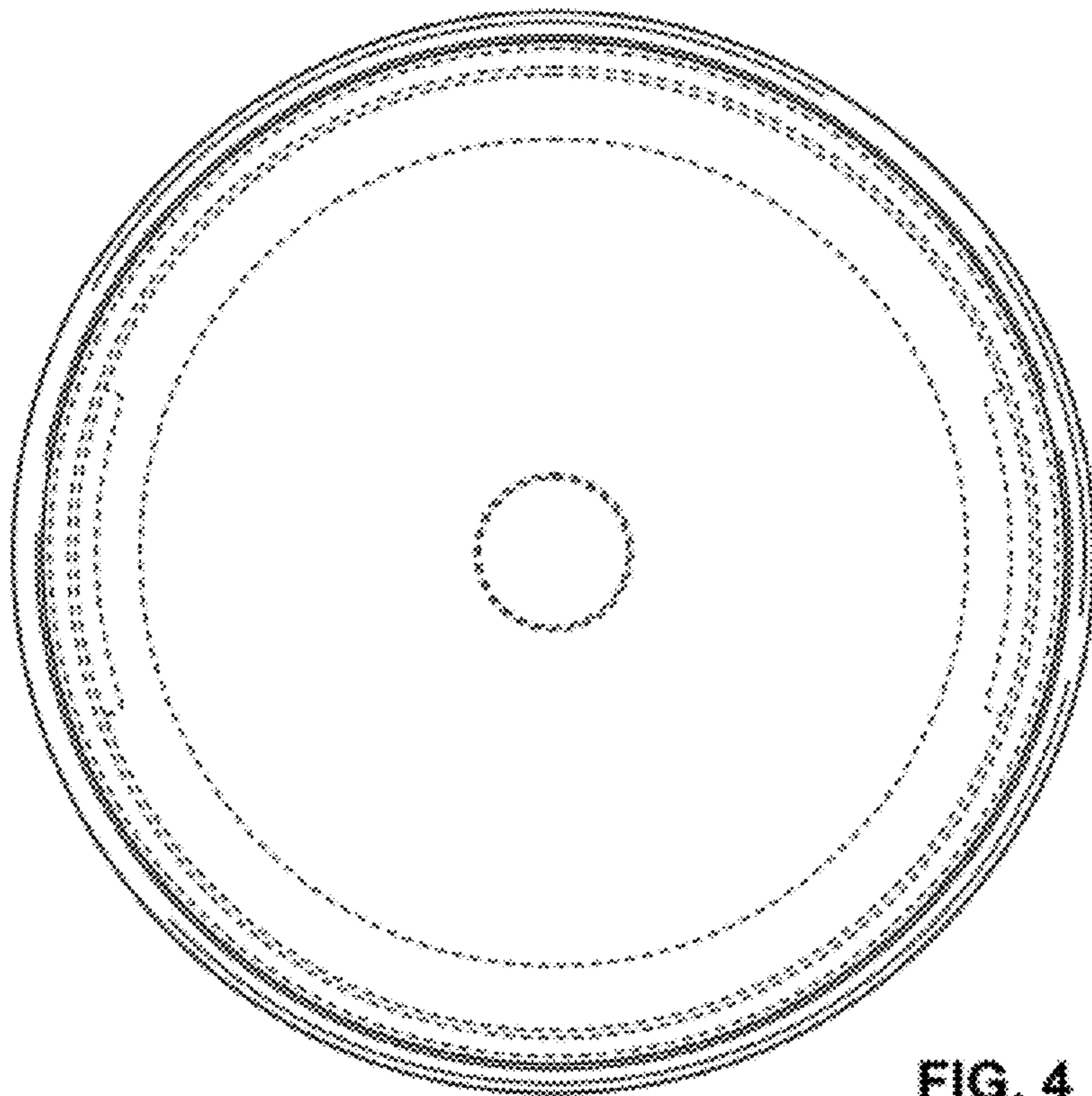


FIG. 4