



US00D675332S

(12) **United States Design Patent**
Tinder

(10) **Patent No.:** **US D675,332 S**

(45) **Date of Patent:** **** Jan. 29, 2013**

(54) **MASSAGER**

(76) Inventor: **Rick Tinder**, Litchfield Park, AZ (US)

(**) Term: **14 Years**

(21) Appl. No.: **29/416,302**

(22) Filed: **Mar. 20, 2012**

(51) **LOC (9) Cl.** **28-03**

(52) **U.S. Cl.** **D24/215**

(58) **Field of Classification Search** D24/200,
D24/211–215, 141; 601/27, 28, 33, 40, 46,
601/47, 48, 63, 80, 99, 104, 112, 113, 114,
601/119, 122, 125, 129, 134, 135, 137, DIG. 12,
601/DIG. 13, DIG. 14, DIG. 15, DIG. 16,
601/DIG. 17

See application file for complete search history.

(56) **References Cited**

U.S. PATENT DOCUMENTS

4,002,164	A *	1/1977	Bradley	601/135
4,266,536	A	5/1981	Casares	
4,520,798	A *	6/1985	Lewis	606/204
4,798,198	A	1/1989	Wright	
D317,204	S	5/1991	Hennessey	
D326,525	S *	5/1992	Shimizu	D24/214
D326,721	S *	6/1992	Ujifusa et al.	D24/211
D359,124	S *	6/1995	Rosenberg	D24/211
5,530,983	A *	7/1996	Maltese	15/160
5,560,746	A *	10/1996	Willow	601/135
D382,644	S *	8/1997	Chi	D24/200
5,674,261	A *	10/1997	Smith	607/46
D402,764	S *	12/1998	Chatfield	D24/211
D403,431	S *	12/1998	Gladieux, Jr.	D24/215
5,862,564	A *	1/1999	Hamm	15/210.1
5,935,090	A *	8/1999	Kennon	601/134

6,261,251	B1 *	7/2001	Meyers	601/135
D456,909	S *	5/2002	Szabo	D24/214
D461,009	S *	7/2002	Viner	D24/214
6,758,826	B2 *	7/2004	Luetngen et al.	601/73
7,122,015	B2 *	10/2006	Luetngen et al.	601/73
D539,915	S *	4/2007	Timmer	D24/214
7,335,171	B2 *	2/2008	Ewell et al.	601/15
D590,510	S *	4/2009	Johansen et al.	D24/214
D646,794	S	10/2011	Hennessey	
2003/0009116	A1 *	1/2003	Luetngen et al.	601/46
2005/0015028	A1	1/2005	Luetngen et al.	
2007/0239086	A1 *	10/2007	Ewell et al.	601/15
2011/0224588	A1 *	9/2011	Grippio	601/135

FOREIGN PATENT DOCUMENTS

JP 2009279020 A2 3/2010

* cited by examiner

Primary Examiner — Sandra Snapp

(74) *Attorney, Agent, or Firm* — Morgan Law Offices, PLC

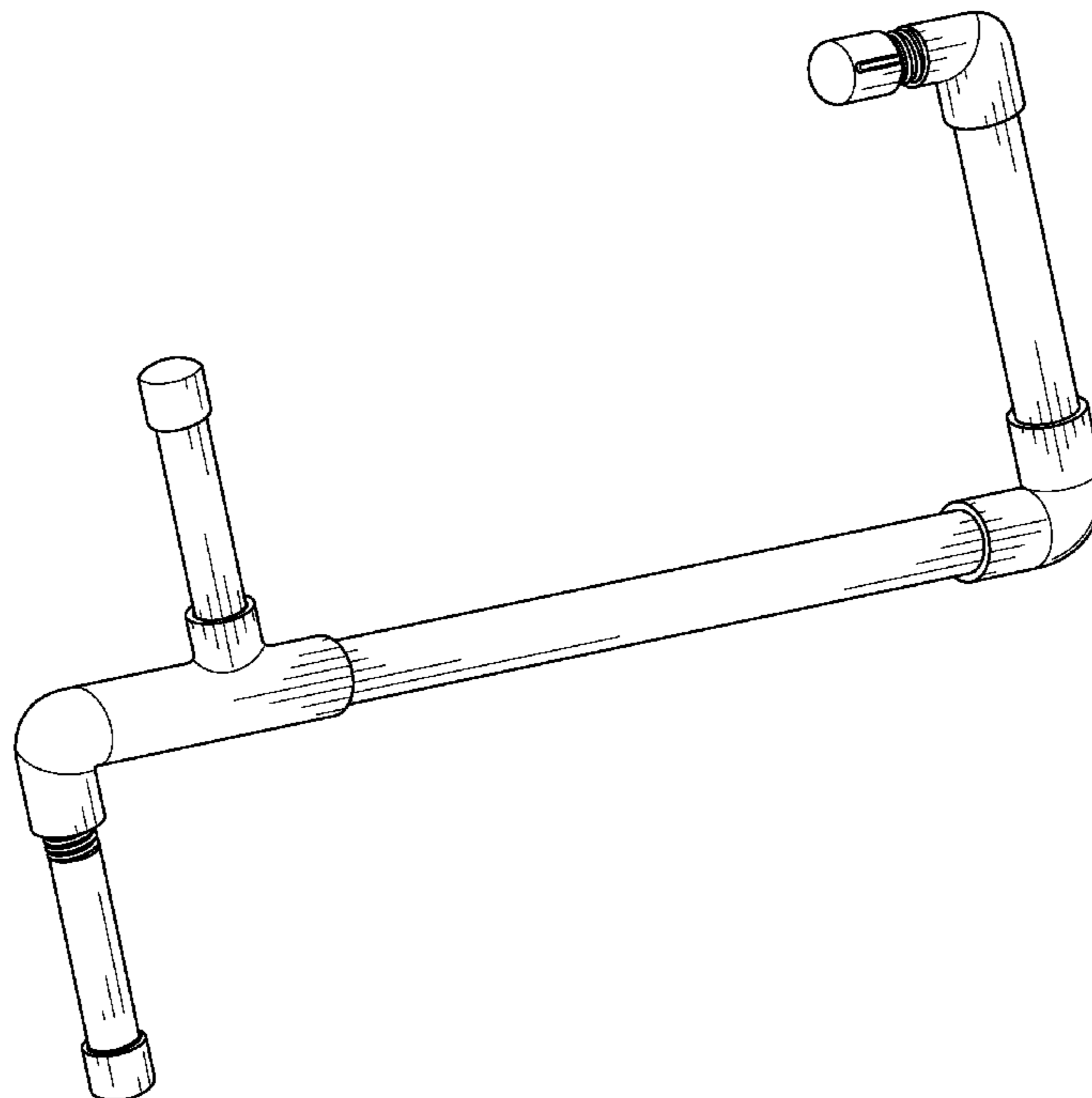
(57) **CLAIM**

The ornamental design for the massager, as shown and described.

DESCRIPTION

FIG. 1 is a perspective view of a massager, showing my new design;
FIG. 2 is a side view thereof;
FIG. 3 is side view opposite that shown in FIG. 2;
FIG. 4 is a left elevation view thereof;
FIG. 5 is a right elevation view thereof;
FIG. 6 is a top plan view thereof; and,
FIG. 7 is a bottom elevation view opposite that shown in FIG. 6.

1 Claim, 5 Drawing Sheets



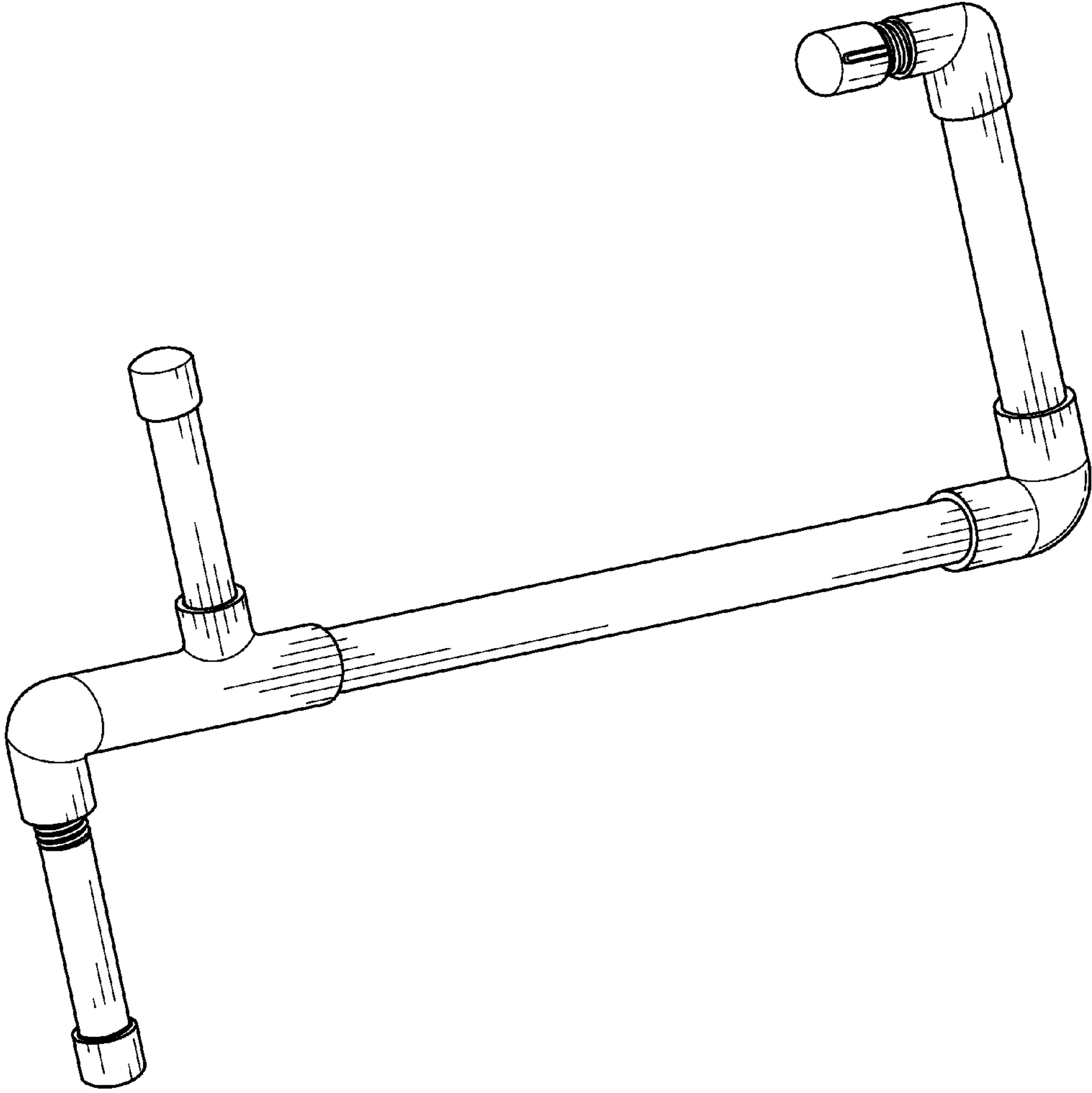


FIG. 1

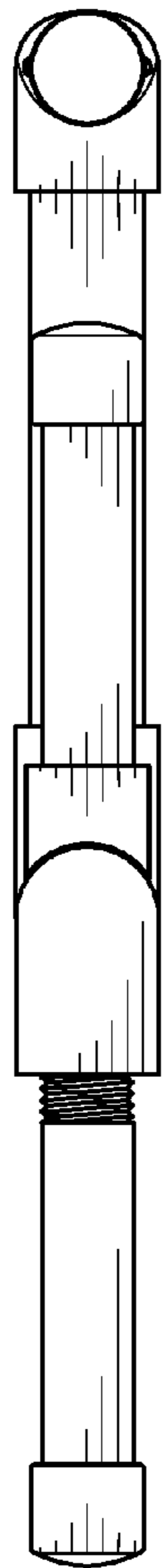


FIG. 2

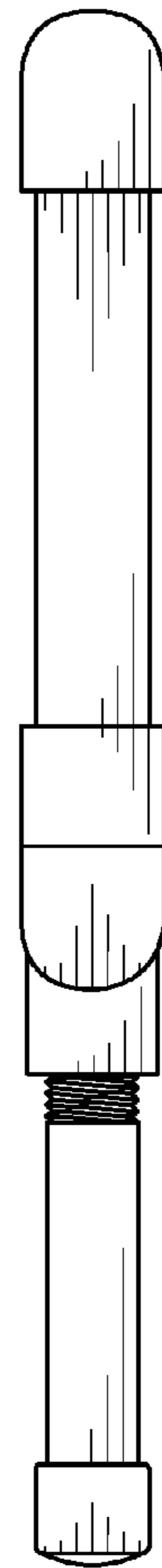


FIG. 3

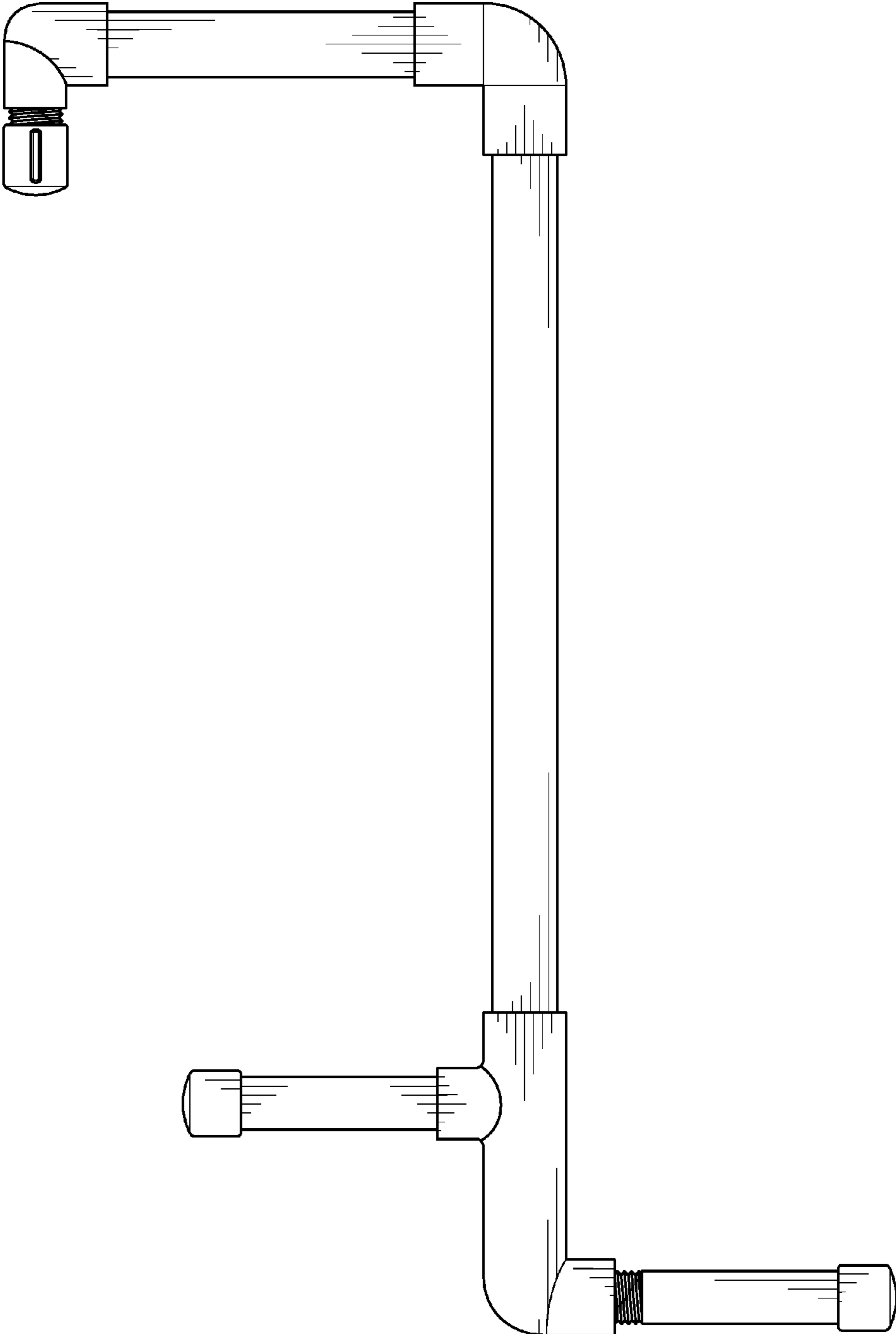


FIG. 4

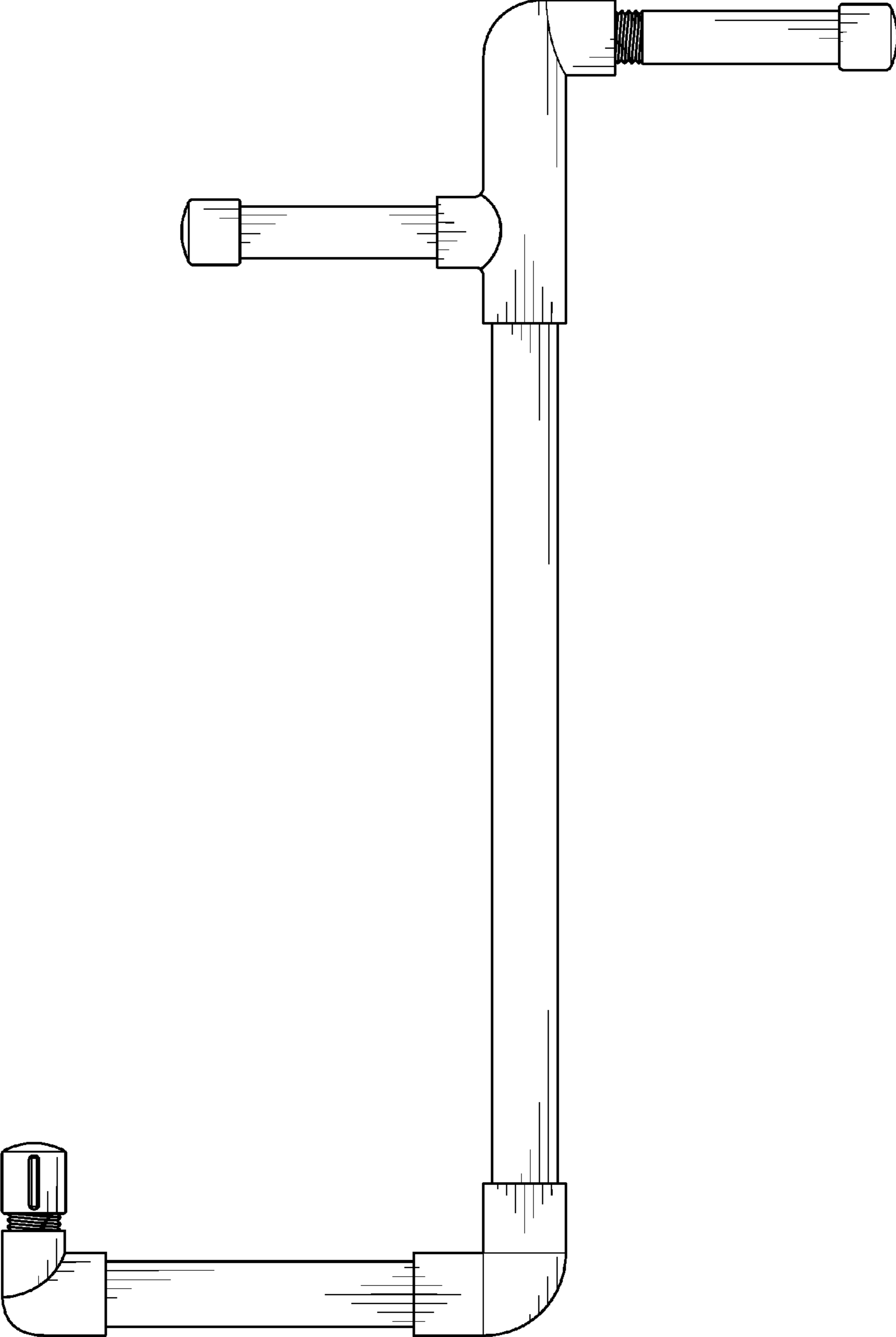


FIG. 5

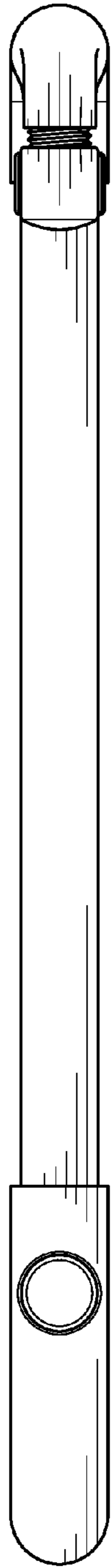


FIG. 6

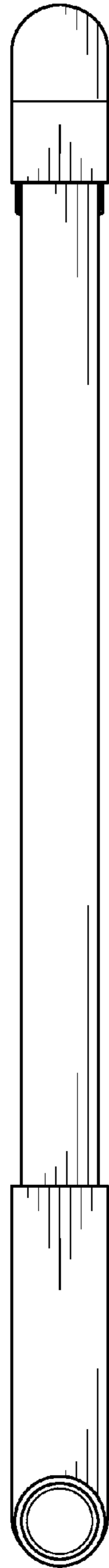


FIG. 7