



US00D675330S

(12) **United States Design Patent**  
**Lee**

(10) **Patent No.:** **US D675,330 S**

(45) **Date of Patent:** **\*\* Jan. 29, 2013**

(54) **PLATE VALVE FOR BUBBLE GENERATOR**

(75) Inventor: **Yong-Dae Lee**, Seoul (KR)

(73) Assignee: **Apollo Industrial Co., Ltd.**, Siheung-Si, Gyenggi-Do (KR)

(\*\*) Term: **14 Years**

(21) Appl. No.: **29/366,361**

(22) Filed: **Jul. 23, 2010**

(51) **LOC (9) Cl.** ..... **23-02**

(52) **U.S. Cl.** ..... **D24/201**

(58) **Field of Classification Search** ..... D24/201,  
D24/204, 205, 213; D23/277; 601/154–158,  
601/168; 4/541.1–541.6, 547, 578.1, 579;  
137/512.1, 516.23, 516.13, 454.4  
See application file for complete search history.

(56) **References Cited**

**U.S. PATENT DOCUMENTS**

1,385,147	A *	7/1921	Prellwitz	.....	137/516.13
2,124,323	A *	7/1938	Voss Johann	.....	137/454.4
3,175,577	A *	3/1965	King	.....	137/512.1
3,327,731	A *	6/1967	Kehler	.....	137/516.13
4,307,751	A *	12/1981	Mayer et al.	.....	137/512.1
4,526,195	A *	7/1985	Humphrey et al.	.....	137/512.1
D280,125	S *	8/1985	Butterfield et al.	.....	D23/213
4,819,689	A *	4/1989	Owsley et al.	.....	137/512.1

7,108,202	B1 *	9/2006	Chang	.....	4/541.1
7,143,783	B2 *	12/2006	Emke et al.	.....	137/512.1
7,370,668	B2 *	5/2008	Vasilev	.....	137/512.1
2001/0029981	A1 *	10/2001	Penza	.....	137/516.23
2002/0144733	A1 *	10/2002	Artner	.....	137/512.1

\* cited by examiner

*Primary Examiner* — David Muller

(74) *Attorney, Agent, or Firm* — Kile Park Goekjian Reed & McManus PLLC

(57) **CLAIM**

I claim, the ornamental design for a plate valve for bubble generator, as shown and described.

**DESCRIPTION**

FIG. 1 is a perspective view of a plate valve for bubble generator, showing my new design;  
 FIG. 2 is a front elevational view thereof;  
 FIG. 3 is a rear elevational view thereof;  
 FIG. 4 is a left side elevational view thereof;  
 FIG. 5 is a right side elevational view thereof;  
 FIG. 6 is a top plan view thereof;  
 FIG. 7 is a bottom plan view thereof;  
 FIG. 8 is a reference perspective view showing the bottom of the plate valve for bubble generator; and,  
 FIG. 9 is a cross-sectional view thereof taken along line '9—9' in FIG. 6.

**1 Claim, 5 Drawing Sheets**

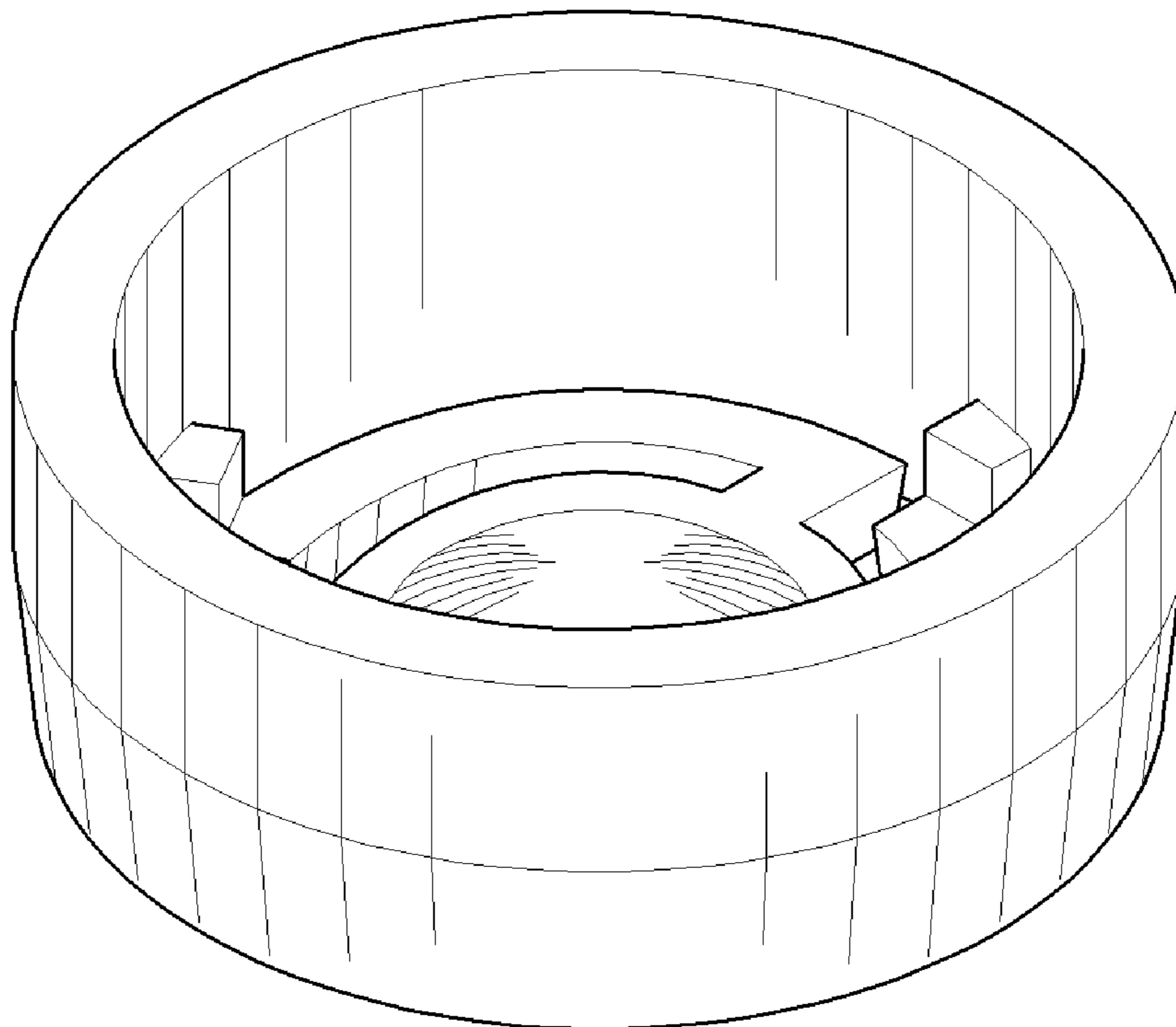


Fig. 1

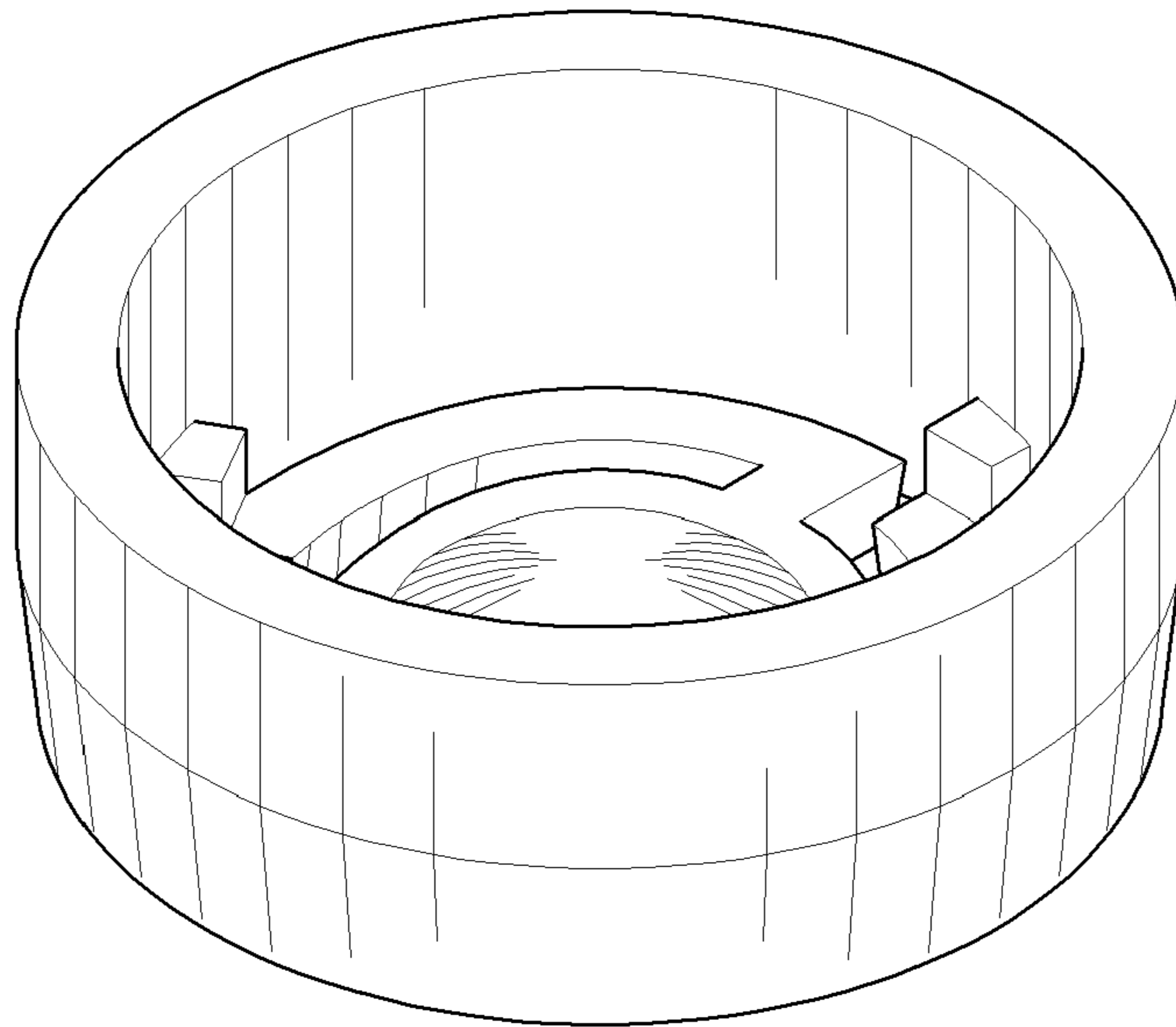


Fig. 2

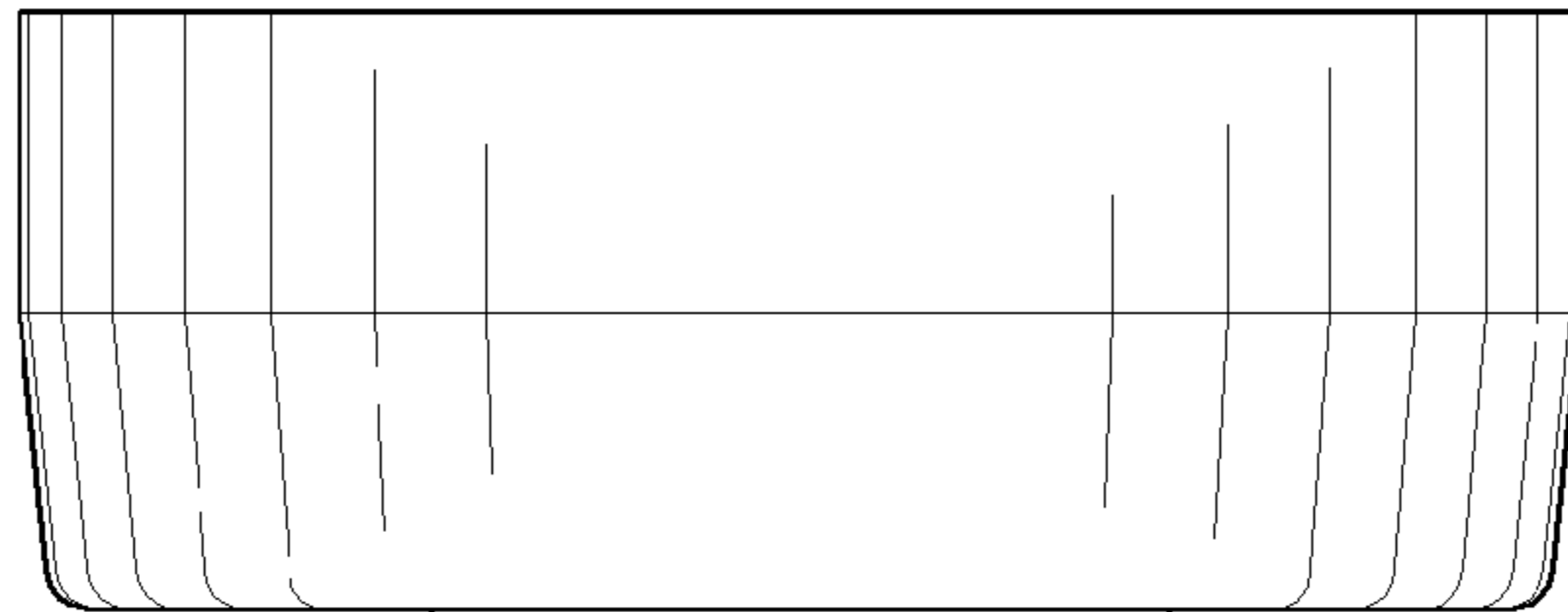


Fig. 3

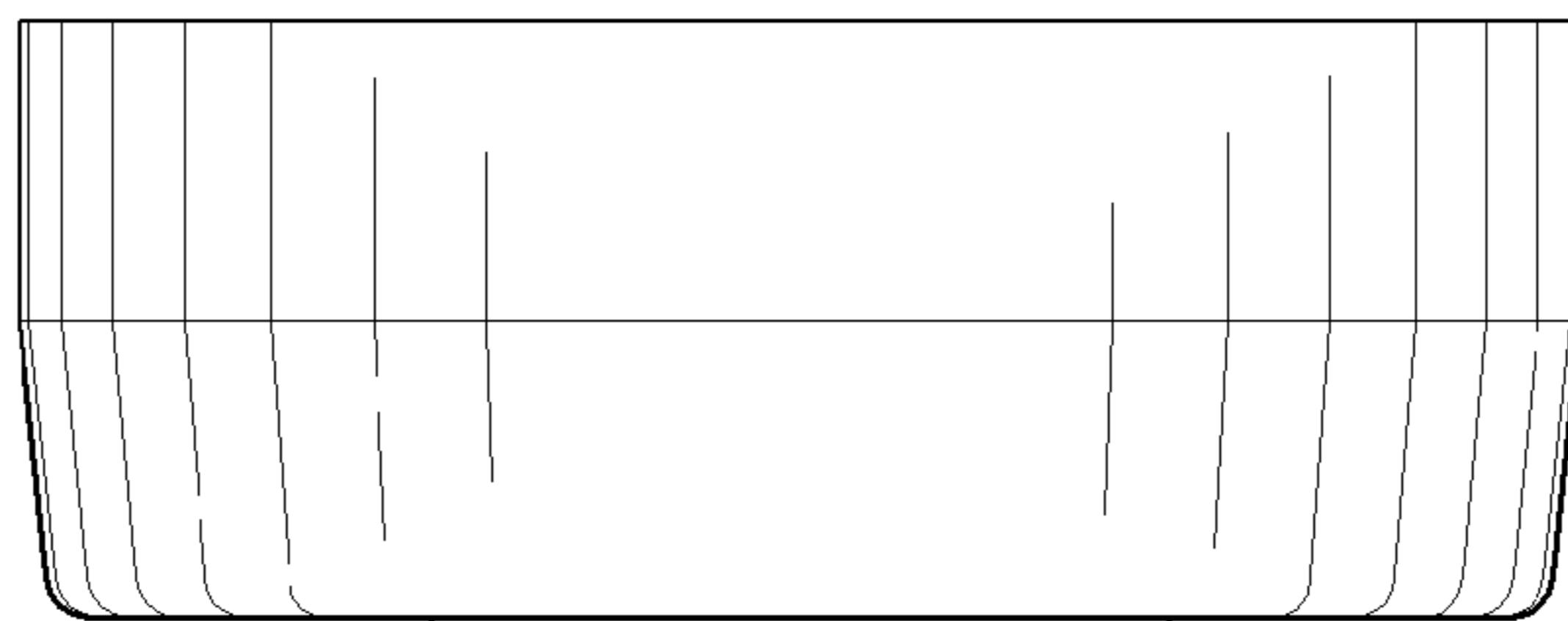
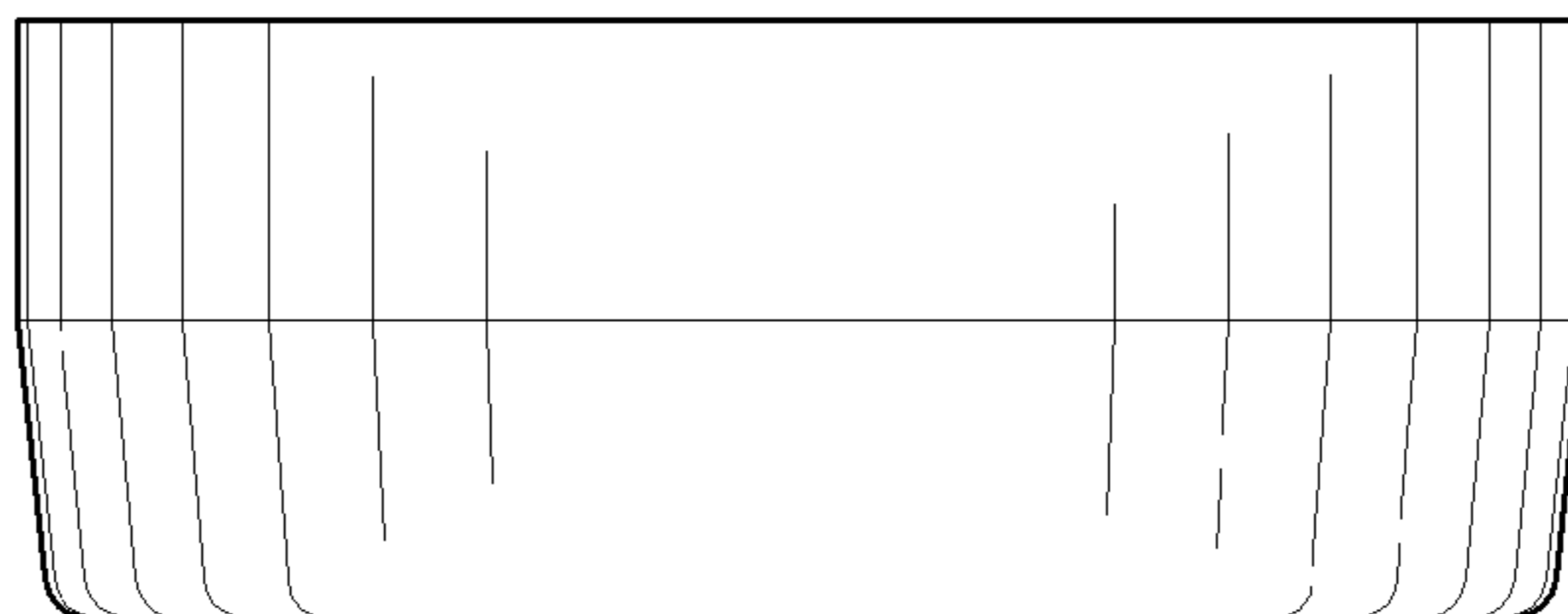


Fig. 4



**Fig. 5**

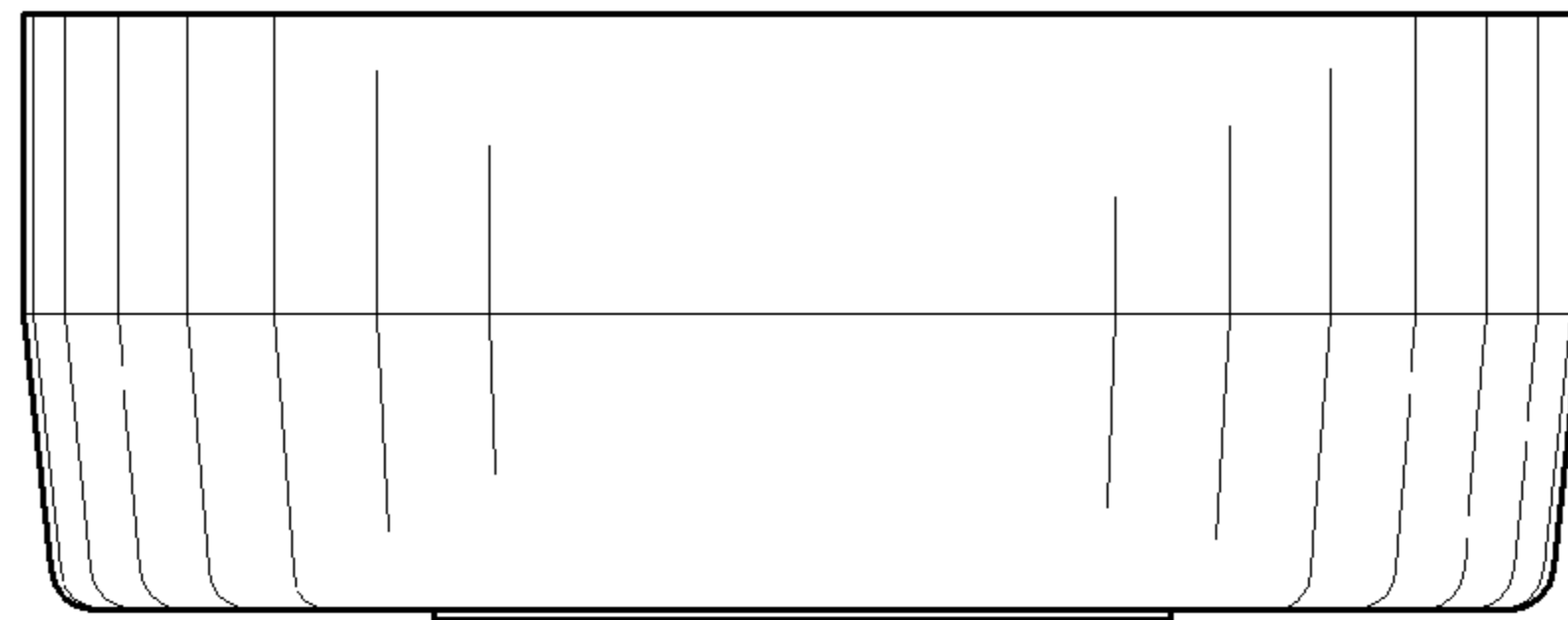


Fig. 6

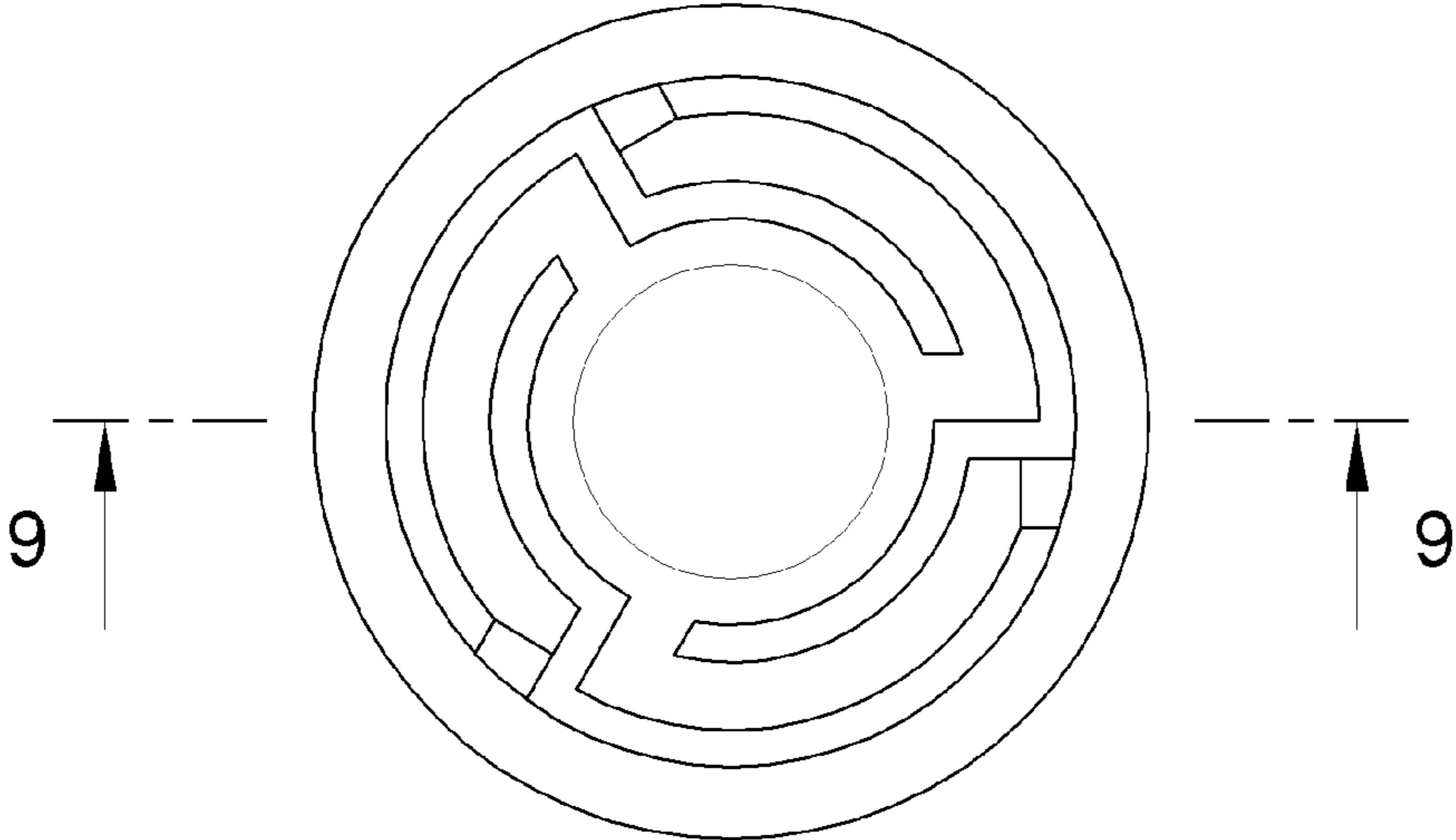


Fig. 7

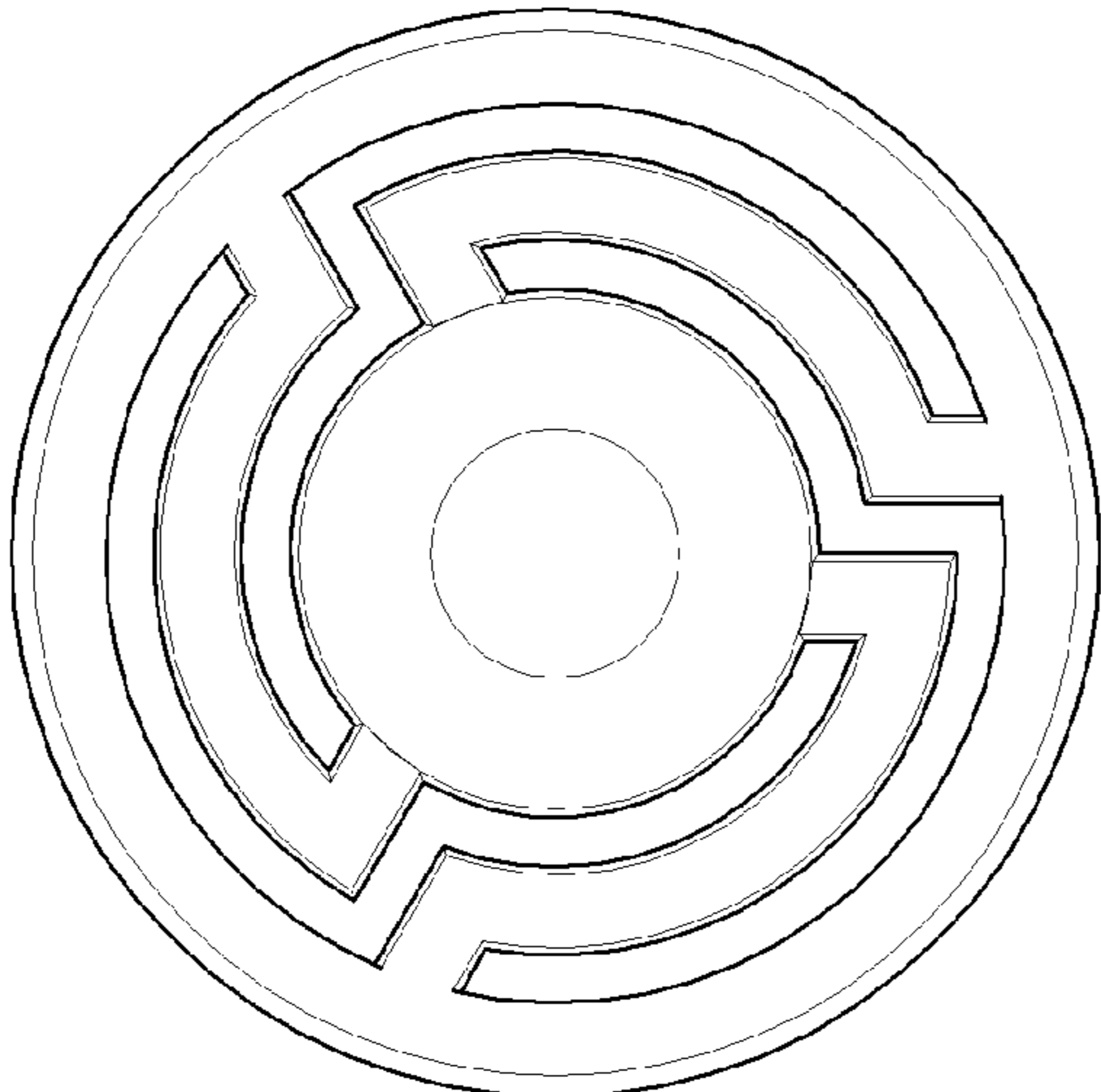


Fig. 8

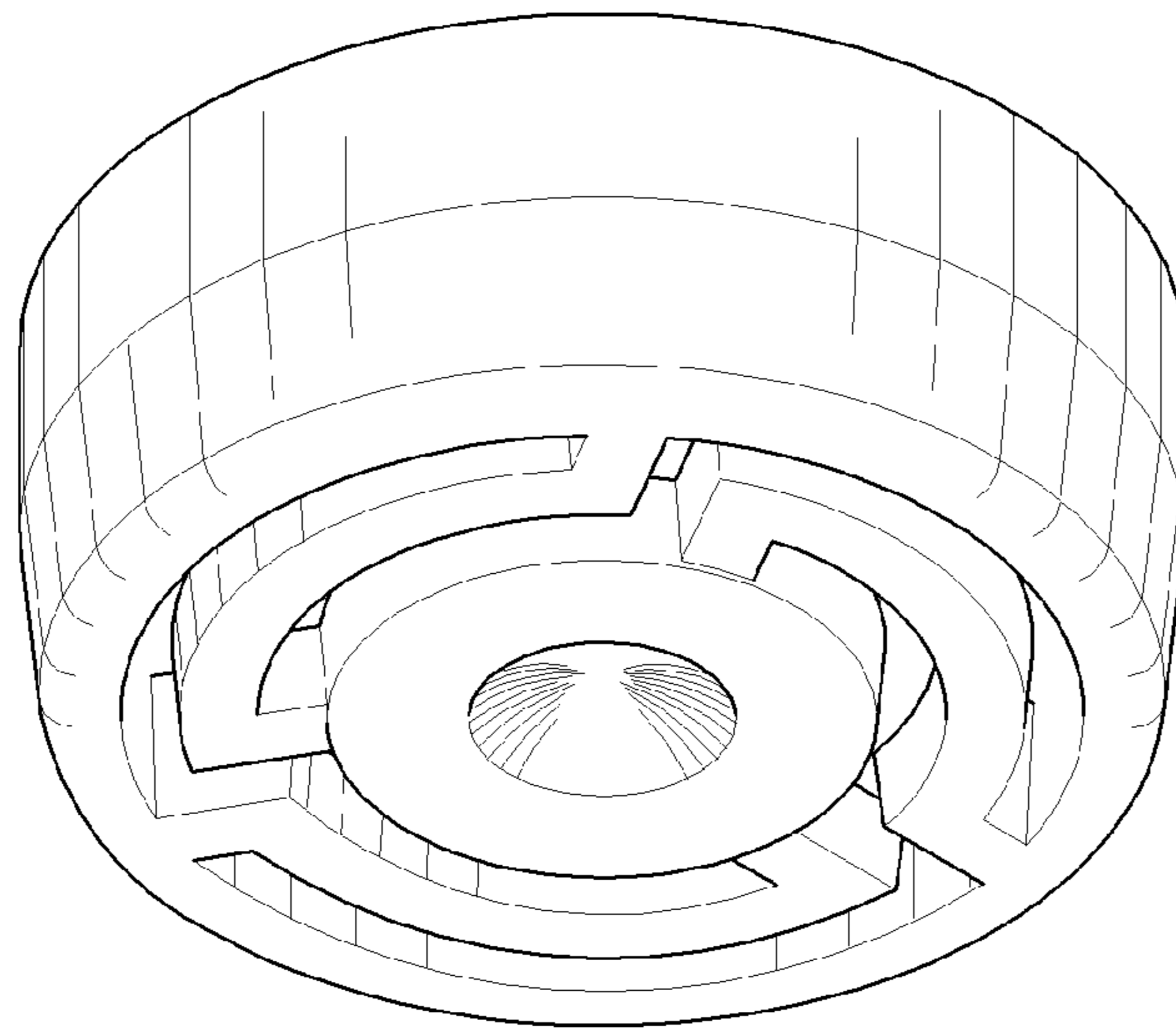


Fig. 9

