



US00D675327S

(12) **United States Design Patent**
Lu

(10) **Patent No.:** **US D675,327 S**
(45) **Date of Patent:** **** Jan. 29, 2013**

(54) **MESSAGE BENCH**

(76) Inventor: **Fang-yu Lu**, Sinwu Township, Taoyuan County (TW)

(**) Term: **14 Years**

(21) Appl. No.: **29/414,066**

(22) Filed: **Feb. 24, 2012**

(51) **LOC (9) Cl.** **24-01**

(52) **U.S. Cl.** **D24/183**

(58) **Field of Classification Search** D24/183,
D24/200, 171; 108/36, 115, 132; 5/111,
5/600, 607, 610-614, 618, 620, 622, 632;
601/24, 98, 134, 146; 606/240-242; D6/367,
D6/382, 480, 482, 502, 361; 482/142
See application file for complete search history.

(56) **References Cited**

U.S. PATENT DOCUMENTS

3,747,916	A	*	7/1973	Benson	5/600
D301,925	S	*	6/1989	Simpkins et al.	D24/183
D304,614	S	*	11/1989	Guttormsen	D24/183
D322,730	S	*	12/1991	Taltre	D6/502
D403,772	S	*	1/1999	Fanuzzi	D24/183
D436,176	S	*	1/2001	Fanuzzi	D24/183

D462,189	S	*	9/2002	Brockway et al.	D6/367
D487,360	S	*	3/2004	Lacina	D6/367
D583,953	S	*	12/2008	Genelli	D24/183
D583,954	S	*	12/2008	Genelli	D24/183
D627,891	S	*	11/2010	Lu	D24/183

* cited by examiner

Primary Examiner — T. Chase Nelson

Assistant Examiner — Mark Cavanna

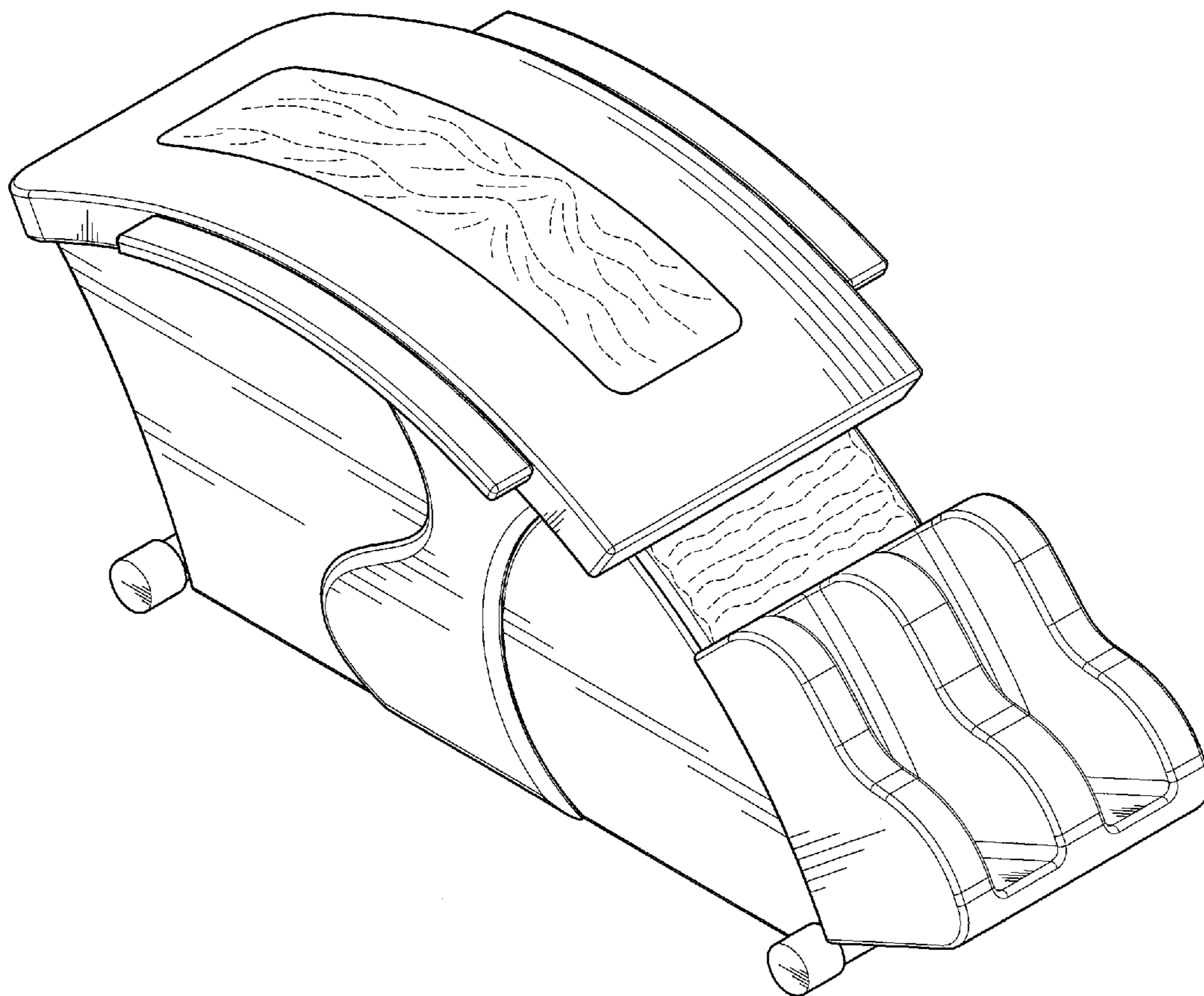
(57) **CLAIM**

I claim the ornamental design for a massage bench, as shown, and described.

DESCRIPTION

FIG. 1 is a perspective view of a massage bench showing my new design;
FIG. 2 is a front view thereof;
FIG. 3 is a rear view thereof;
FIG. 4 is a left side view thereof, with the opposite view being a mirror image thereof;
FIG. 5 is a top plan view thereof; and,
FIG. 6 is a side view of the massage bench in use.
The broken lines are included for the purpose of illustrating portions of the massage bench that forms no part of the claimed design.

1 Claim, 6 Drawing Sheets



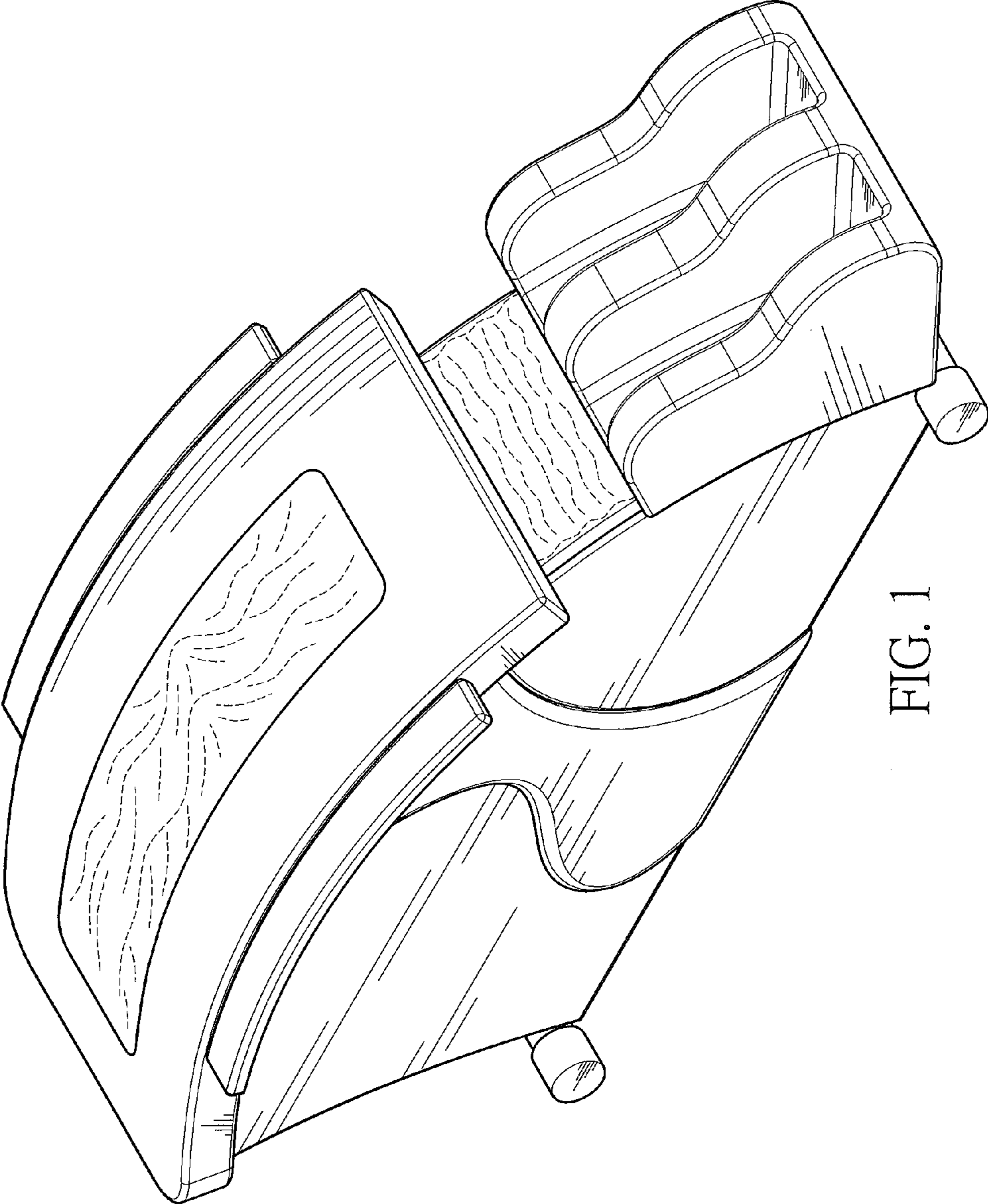


FIG. 1

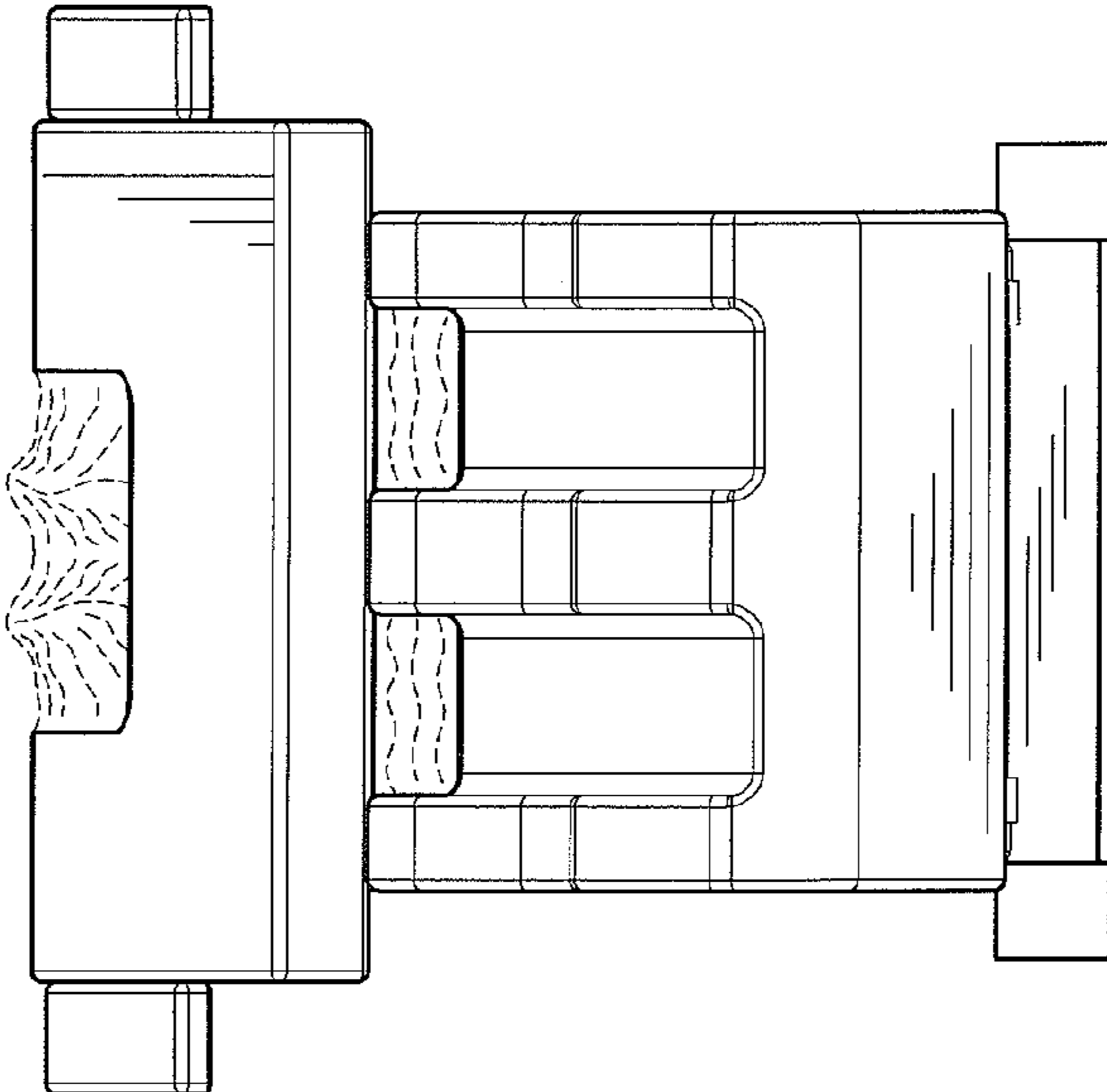


FIG. 2

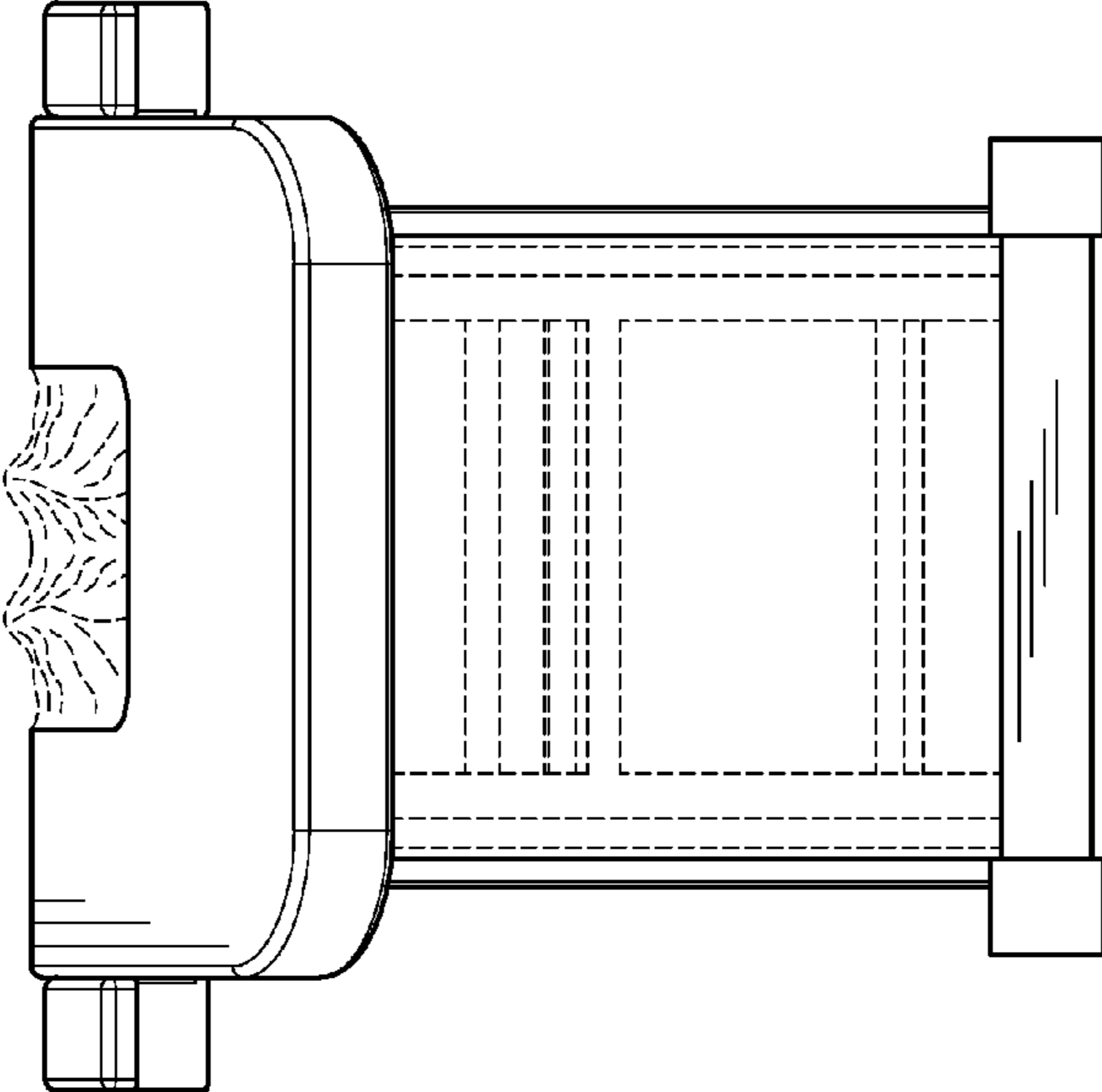


FIG. 3

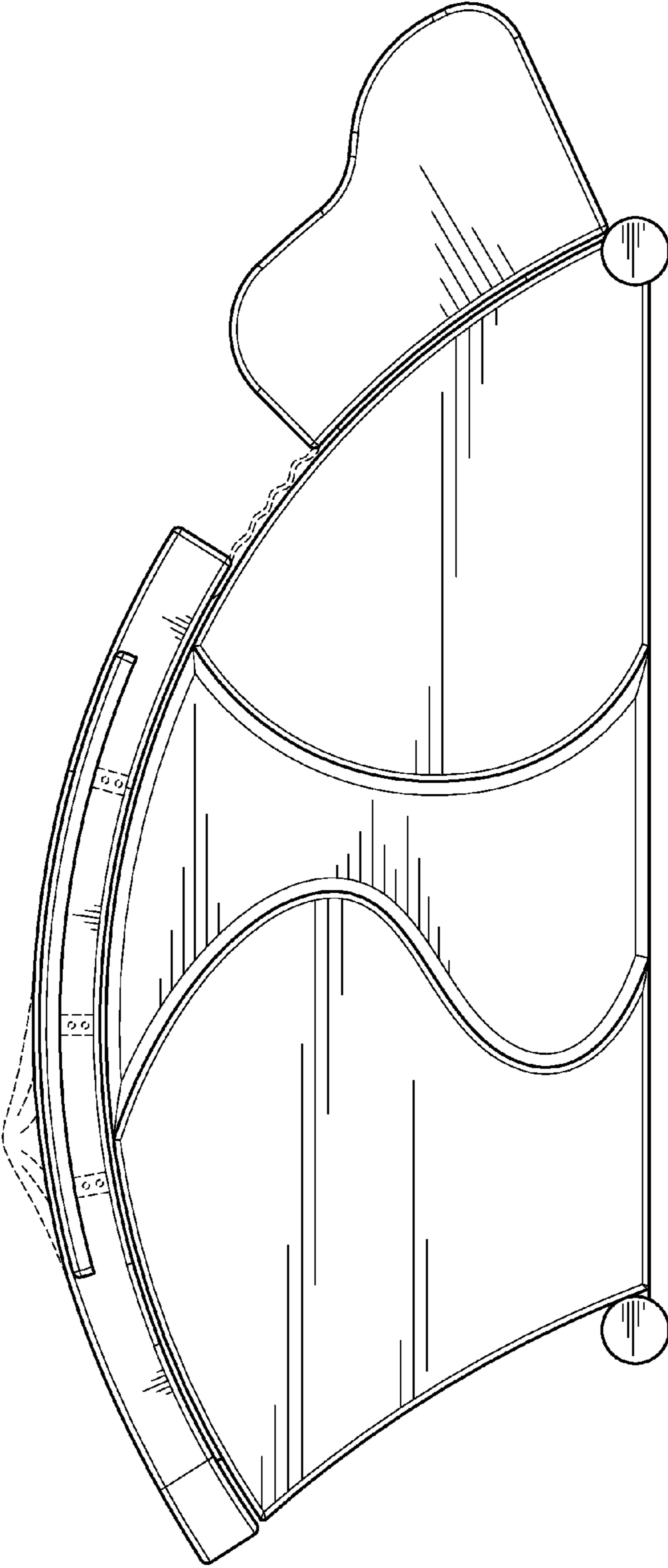


FIG. 4

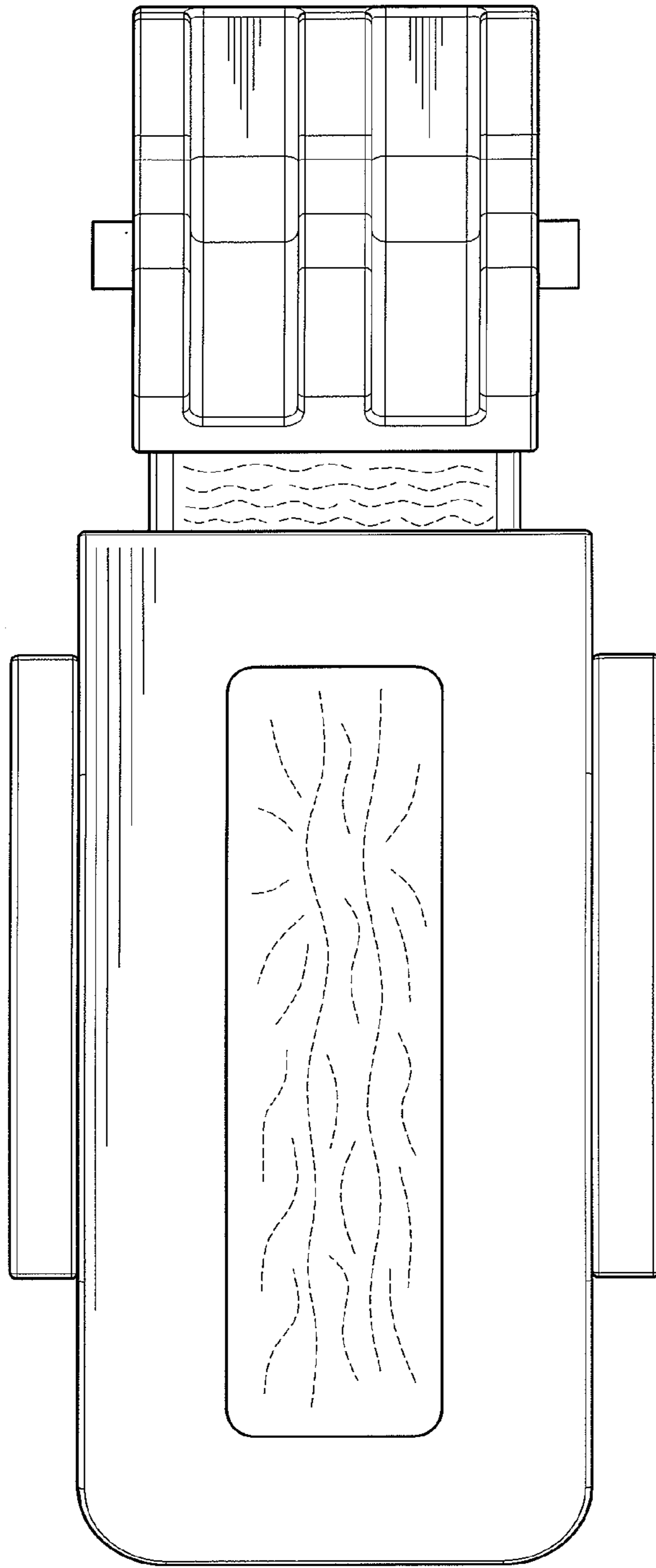


FIG. 5

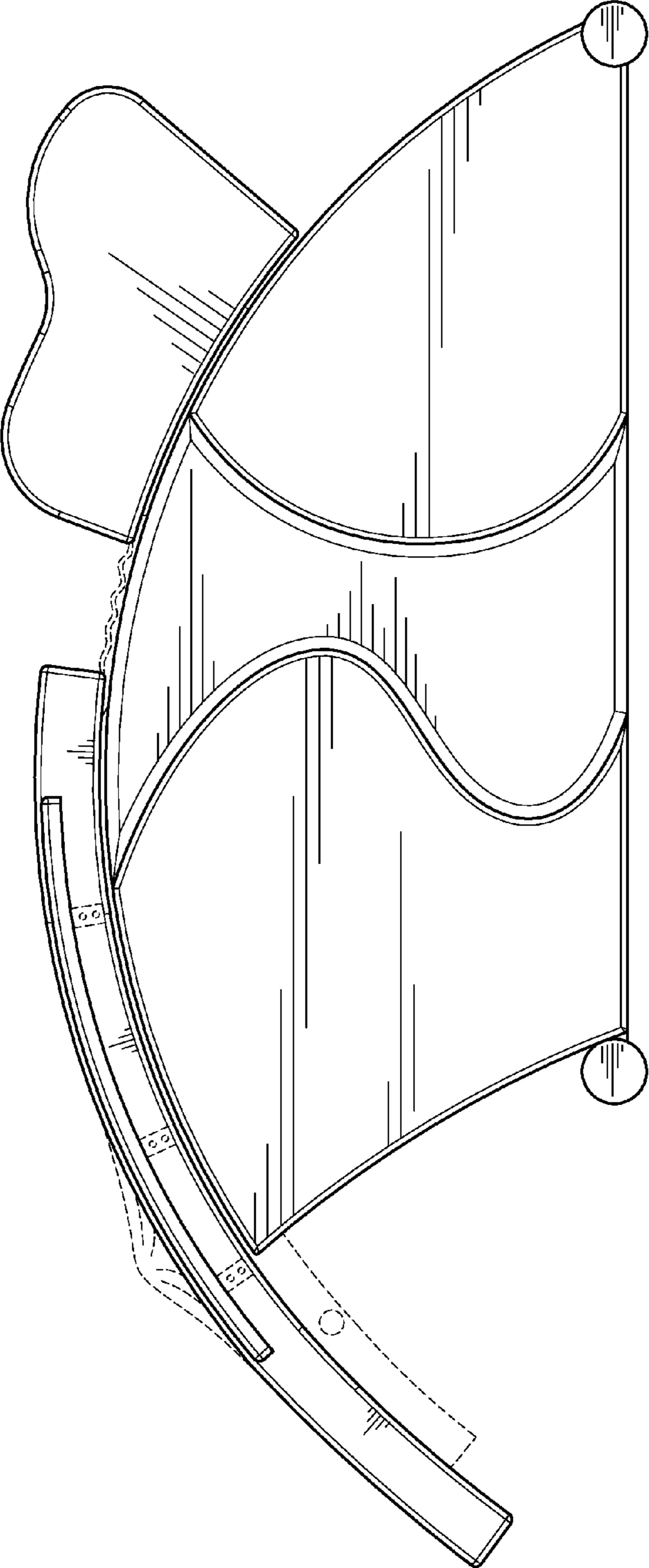


FIG. 6