



US00D675324S

(12) **United States Design Patent**  
**Spainhower**

(10) **Patent No.:** **US D675,324 S**

(45) **Date of Patent:** **\*\* Jan. 29, 2013**

(54) **MOUTH GUARD**

(76) Inventor: **David Spainhower**, Huntsville, UT (US)

(\*\*) Term: **14 Years**

(21) Appl. No.: **29/407,059**

(22) Filed: **Nov. 22, 2011**

**Related U.S. Application Data**

(63) Continuation-in-part of application No. 29/362,887, filed on Jun. 1, 2010, now Pat. No. Des. 649,252.

(51) **LOC (9) Cl.** ..... **24-02**

(52) **U.S. Cl.** ..... **D24/180**

(58) **Field of Classification Search** ..... D24/176-177, D24/180-181; D29/108; 128/848, 859, 128/861-862; 602/902; 433/6, 18-19, 168.1, 433/171-172, 173, 187, 219, 199.1  
See application file for complete search history.

(56) **References Cited**

**U.S. PATENT DOCUMENTS**

2,341,604	A *	2/1944	Dresch	.....	433/199.1
2,750,941	A *	6/1956	Cathcart	.....	128/862
4,580,980	A *	4/1986	Acquanetta	.....	433/167
5,277,202	A *	1/1994	Hays	.....	128/848
5,304,063	A *	4/1994	Ginsburg	.....	433/199.1

5,682,904	A *	11/1997	Stinnett	.....	128/861
6,986,354	B1 *	1/2006	Burns	.....	128/859
D649,252	S *	11/2011	Spainhower	.....	D24/181
2011/0290261	A1 *	12/2011	Spainhower	.....	128/859

\* cited by examiner

*Primary Examiner* — Wan Laymon

(74) *Attorney, Agent, or Firm* — Durham Jones & Pinegar Intellectual Property Law Group

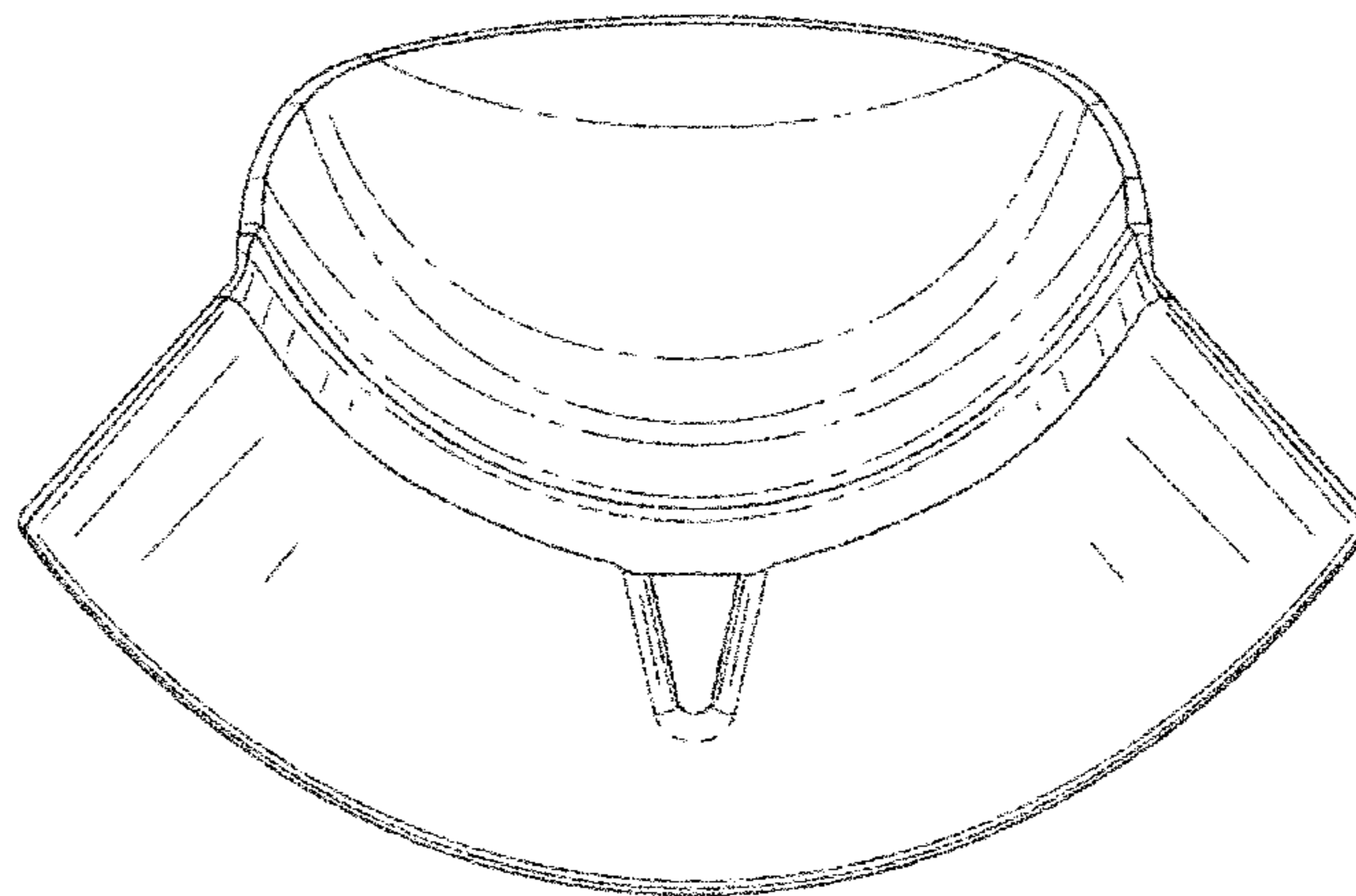
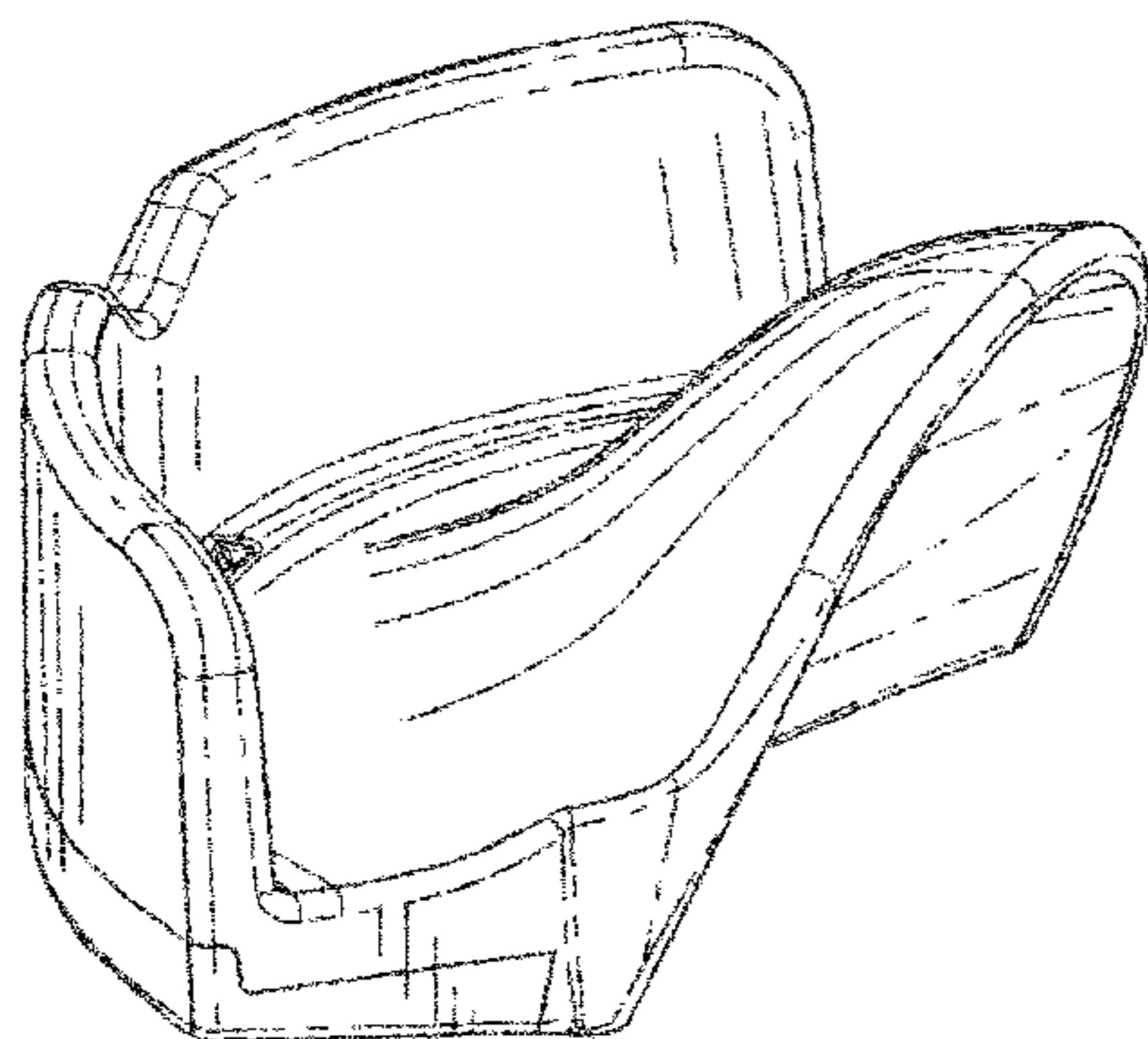
(57) **CLAIM**

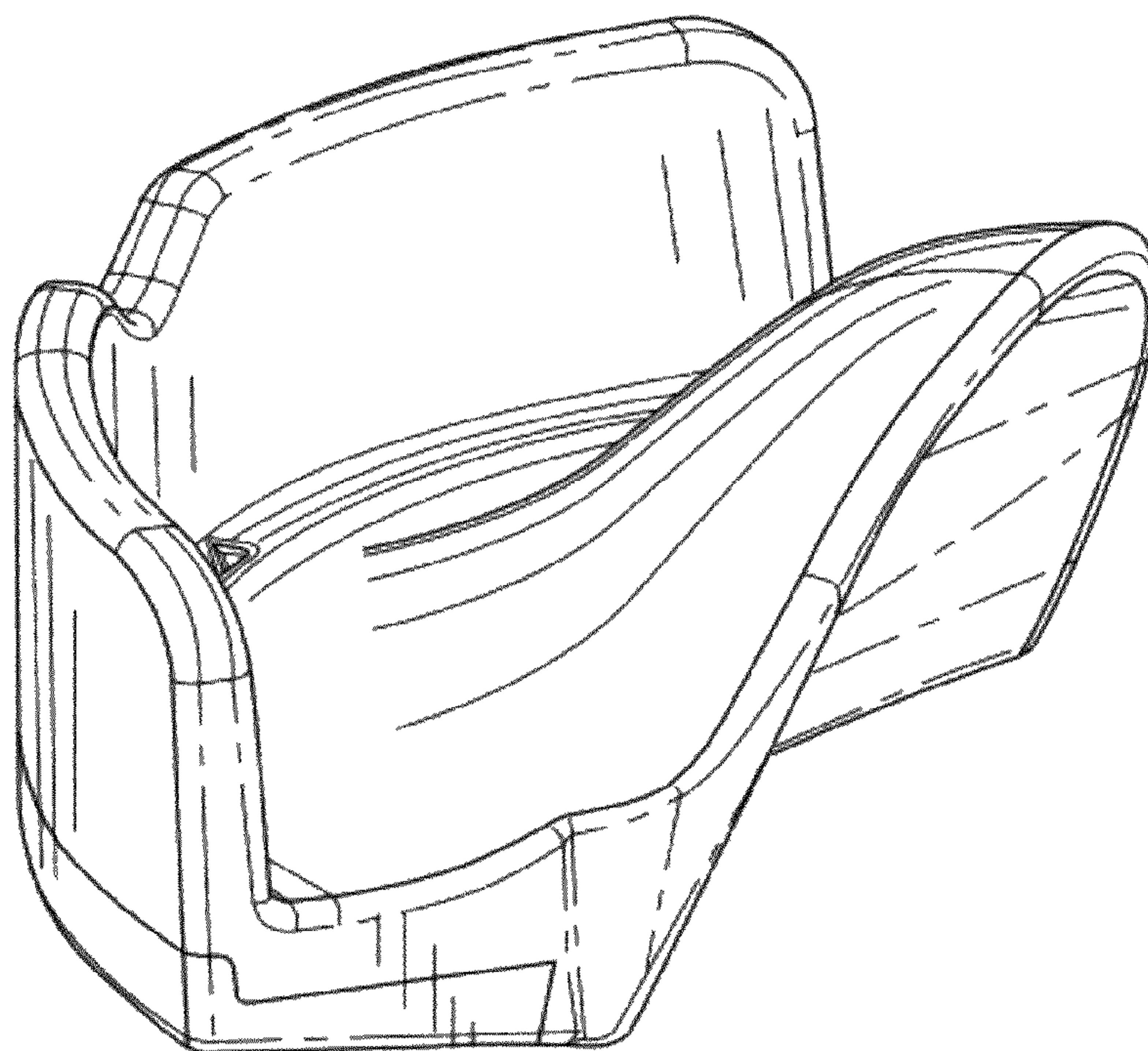
The ornamental design for a mouth guard, as shown and described.

**DESCRIPTION**

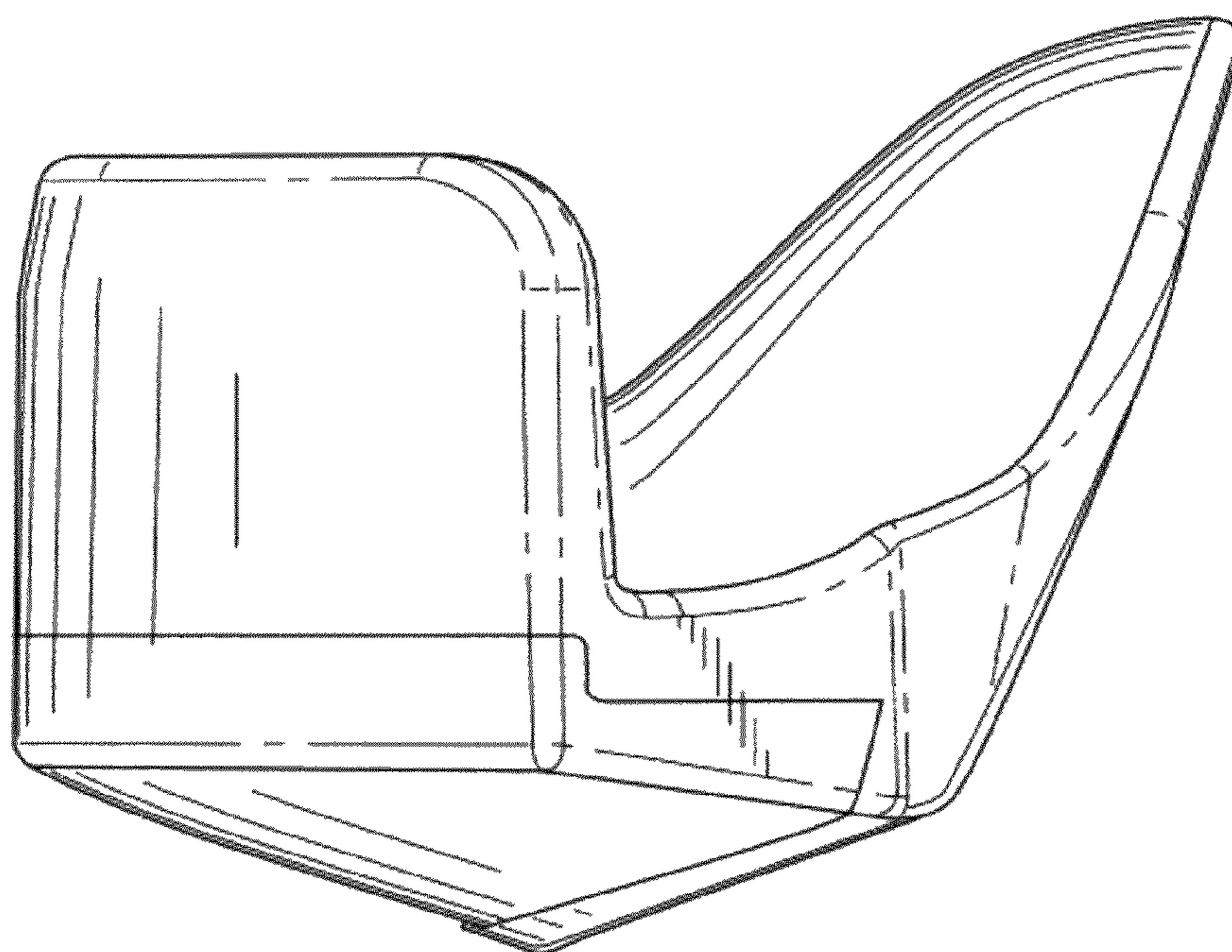
FIG. 1 is an upper rear perspective view of a mouth guard for treatment of temporomandibular disorder showing my new design; FIG. 2 is a first side view of the mouth guard shown in FIG. 1; FIG. 3 is a second, side view of the mouth guard shown in FIG. 1; FIG. 4 is a rear view of the mouth guard shown in FIG. 1; FIG. 5 is a front view of the mouth guard shown in FIG. 1; FIG. 6 is a top view of the mouth guard shown in FIG. 1; and, FIG. 7 is a bottom rear perspective view of the mouth guard shown in FIG. 1.

**1 Claim, 4 Drawing Sheets**

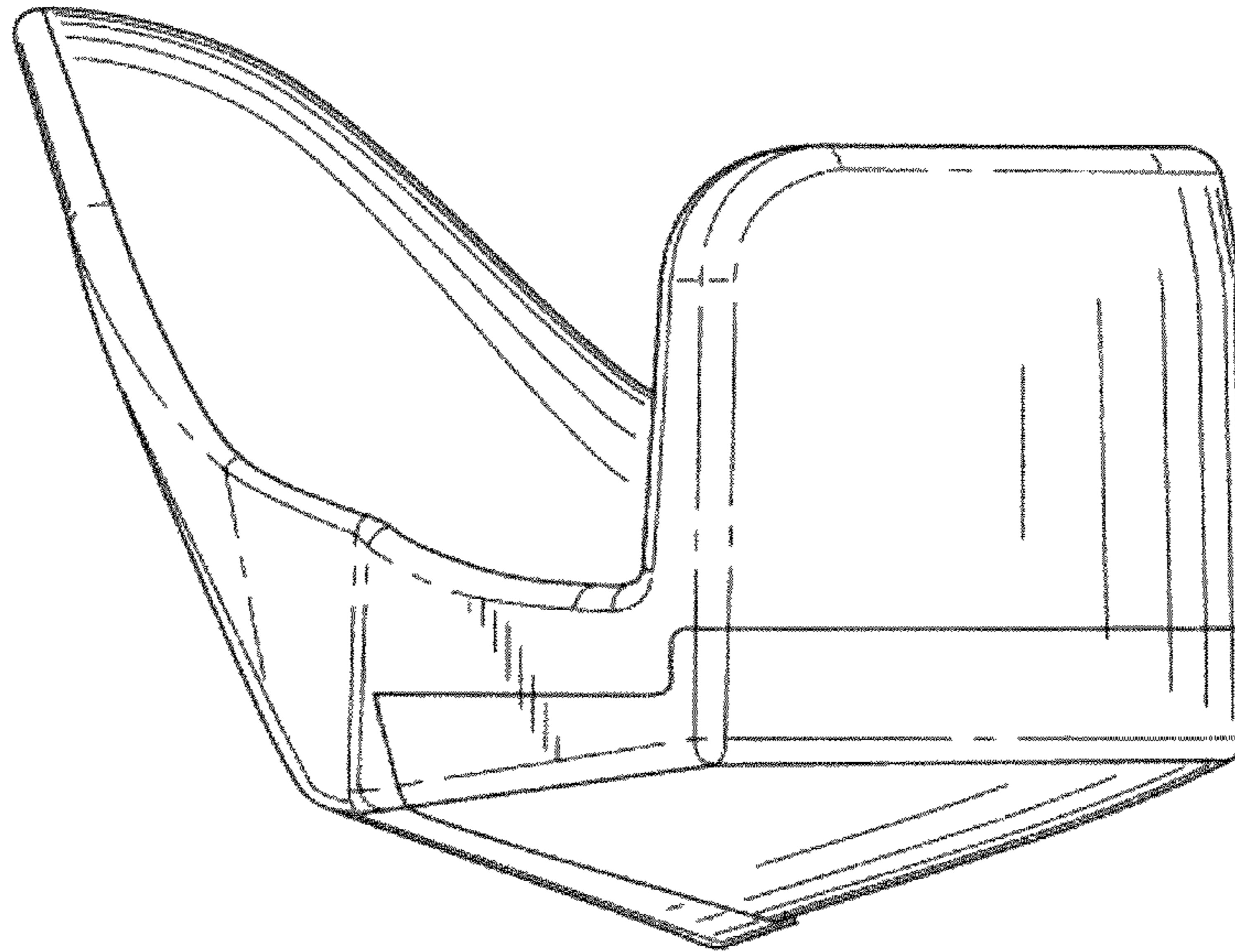




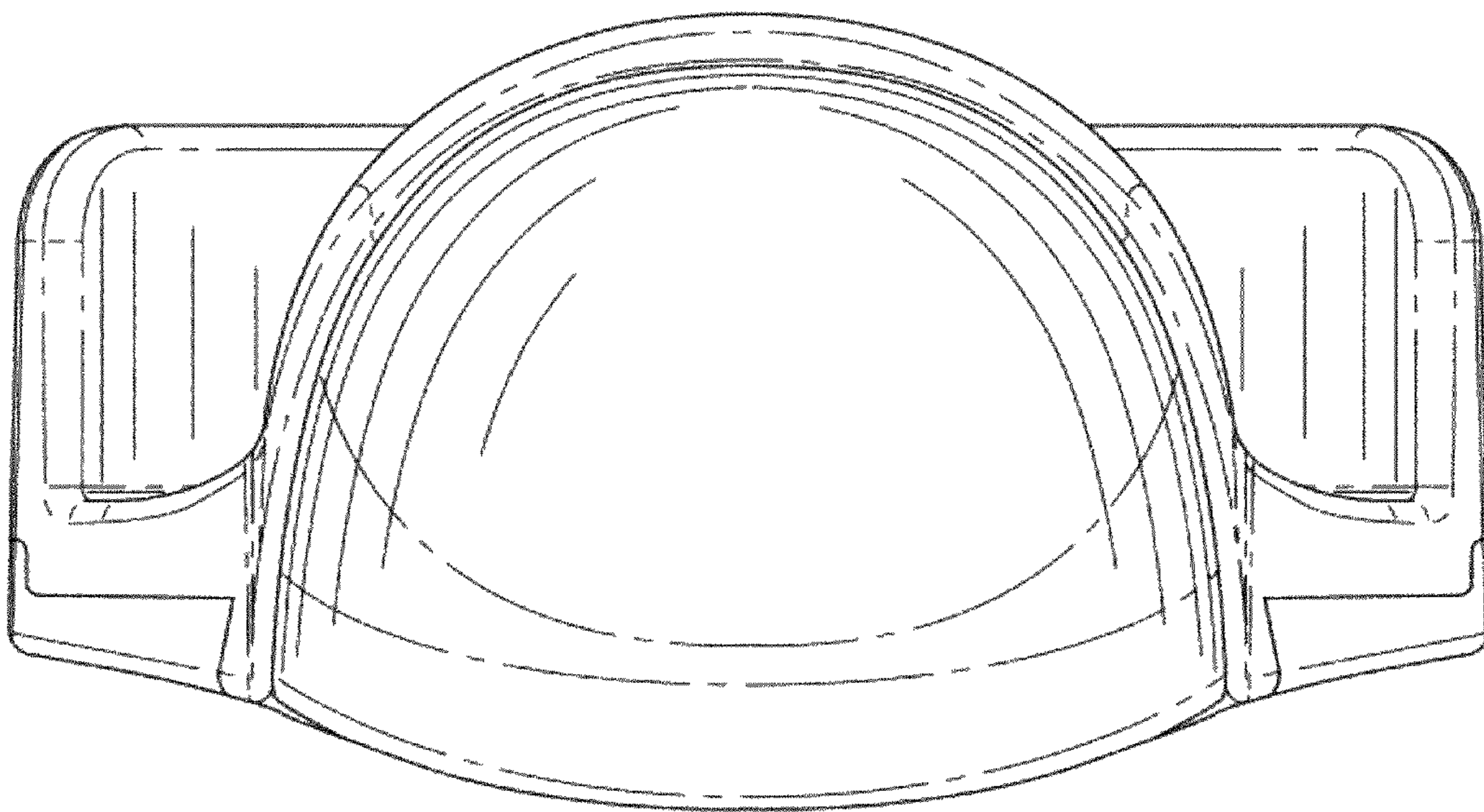
**FIG. 1**



**FIG. 2**



**FIG. 3**



**FIG. 4**

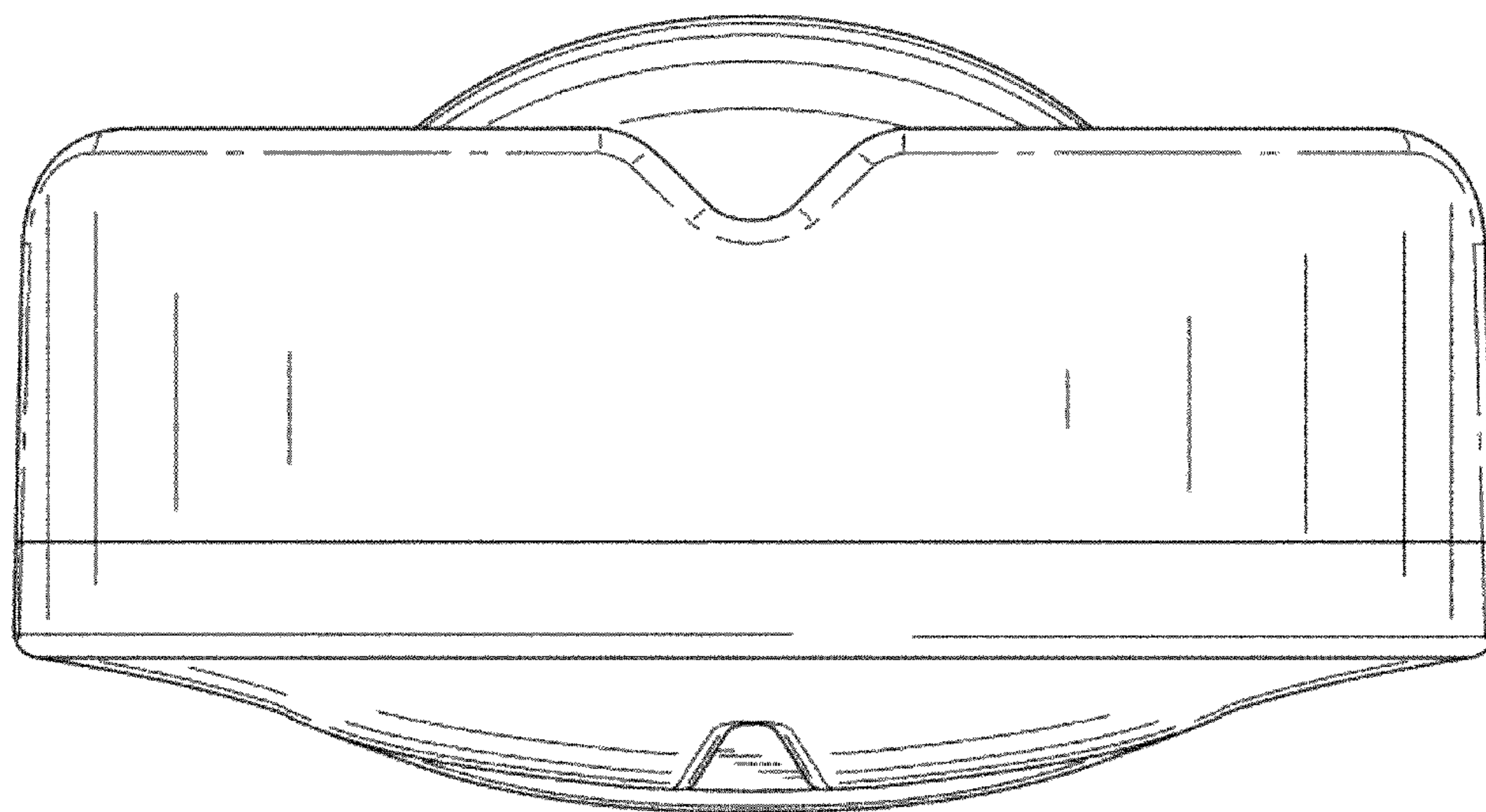


FIG. 5

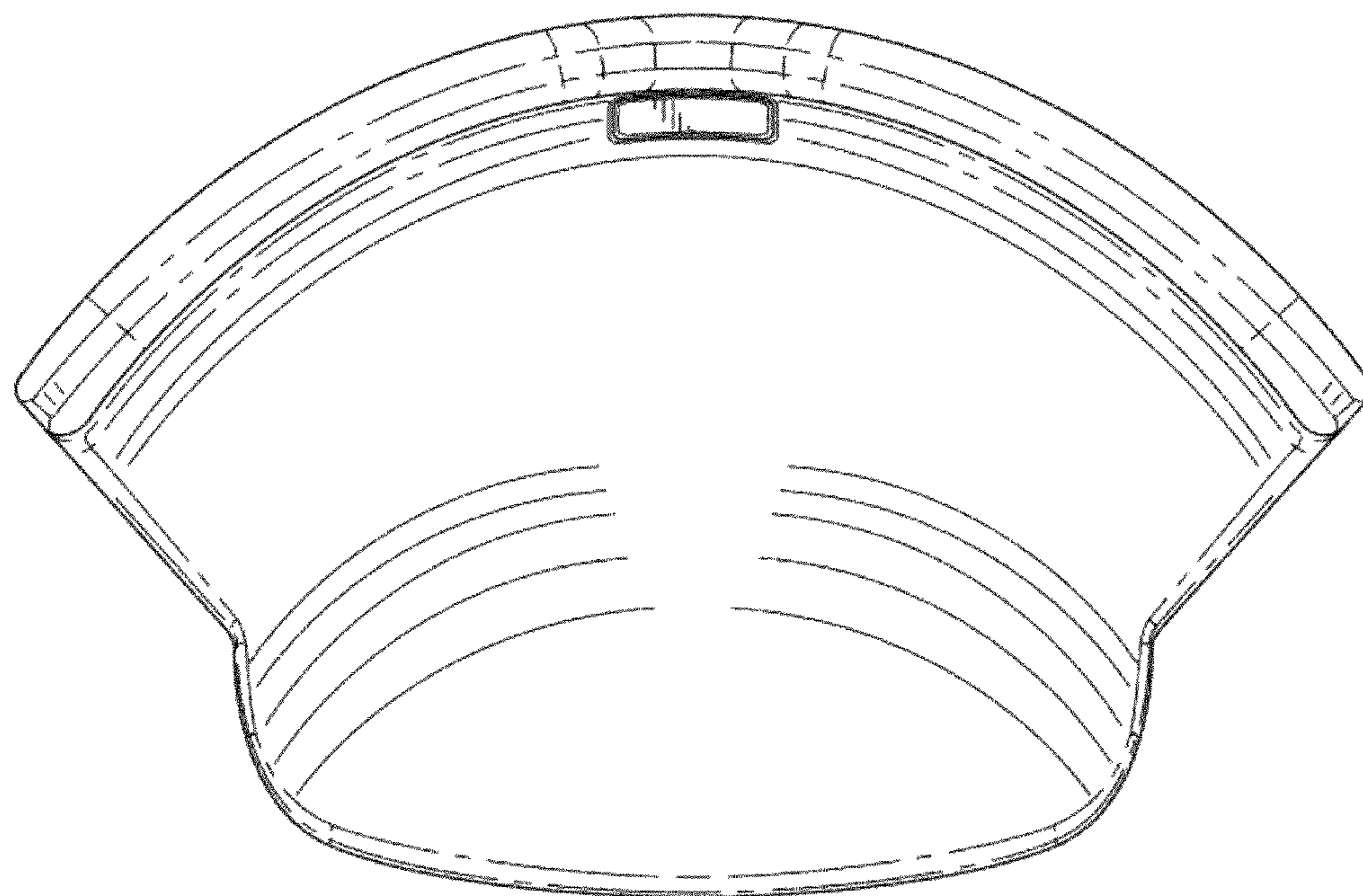
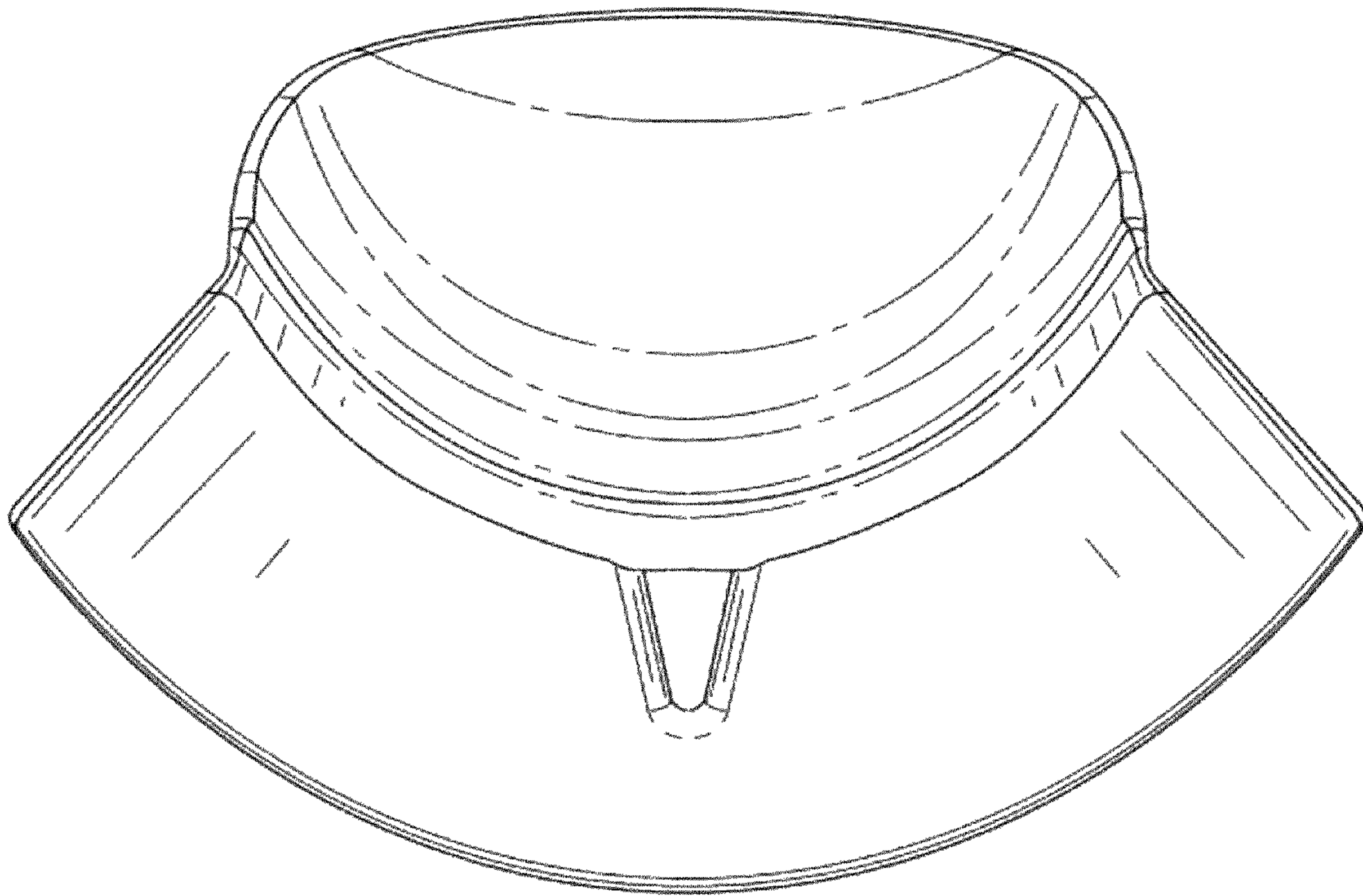


FIG. 6



**FIG. 7**