



US00D675323S

(12) **United States Design Patent**
Spainhower

(10) **Patent No.:** **US D675,323 S**

(45) **Date of Patent:** **** Jan. 29, 2013**

(54) **MOUTH GUARD**

(76) Inventor: **David L. Spainhower**, Huntsville, UT
(US)

(**) Term: **14 Years**

(21) Appl. No.: **29/407,050**

(22) Filed: **Nov. 22, 2011**

Related U.S. Application Data

(63) Continuation-in-part of application No. 29/362,887,
filed on Jun. 1, 2010, now Pat. No. Des. 649,252.

(51) **LOC (9) Cl.** **24-02**

(52) **U.S. Cl.** **D24/180**

(58) **Field of Classification Search** D24/176-177,
D24/180-181; D29/108; 128/848, 859,
128/861-862; 602/902; 433/6, 18-19, 168.1,
433/171-172, 173, 187, 219, 199.1
See application file for complete search history.

(56) **References Cited**

U.S. PATENT DOCUMENTS

2,341,604 A * 2/1944 Dresch 433/199.1
2,750,941 A * 6/1956 Cathcart 128/862
4,580,980 A * 4/1986 Acquanetta 433/167
5,277,202 A * 1/1994 Hays 128/848

5,304,063 A * 4/1994 Ginsburg 433/199.1
5,682,904 A * 11/1997 Stinnett 128/861
6,986,354 B1 * 1/2006 Burns 128/859
D649,252 S * 11/2011 Spainhower D24/181
2011/0290261 A1 * 12/2011 Spainhower 128/859

* cited by examiner

Primary Examiner — Wan Laymon

(74) *Attorney, Agent, or Firm* — Durham Jones & Pinegar,
P.C. Intellectual Property Law Group

(57) **CLAIM**

The ornamental design for a mouth guard, as shown and
described.

DESCRIPTION

FIG. 1 is an upper rear perspective view of a mouth guard for
treatment of temporomandibular disorder showing my new
design;

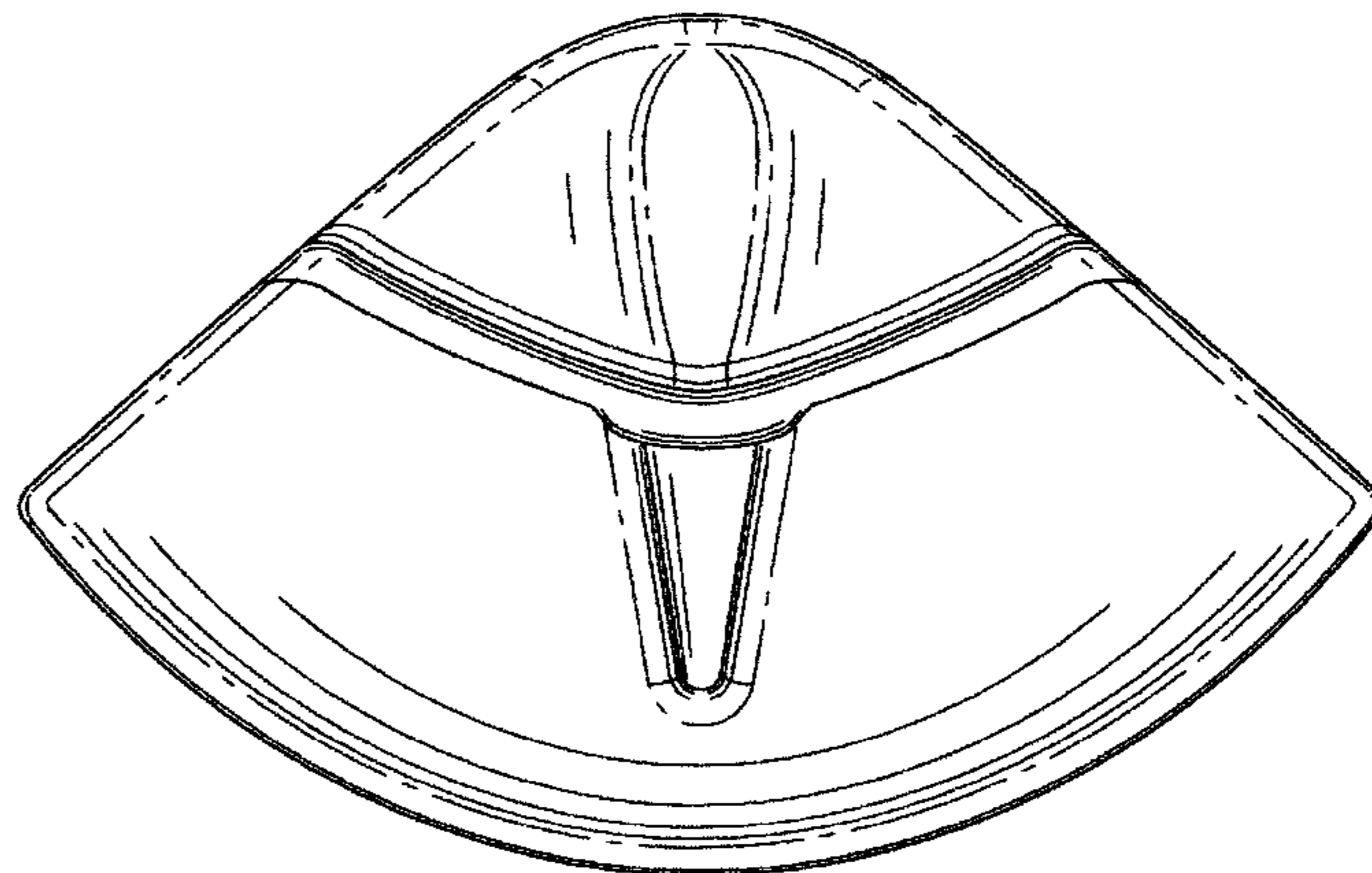
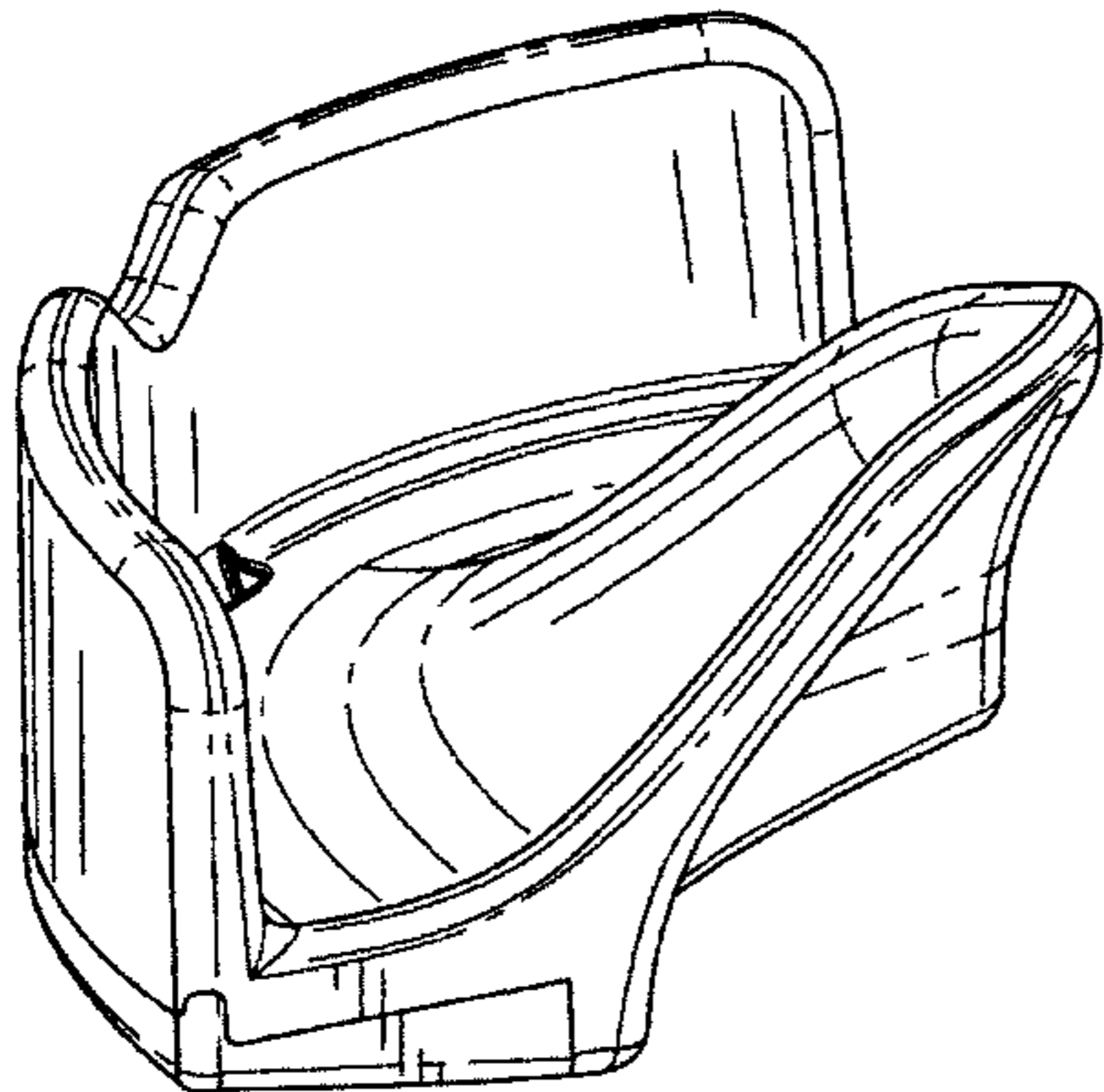
FIG. 2 is a first side view of the mouth guard shown in FIG. 1;
FIG. 3 is a second side view of the mouth guard shown in FIG.
1;

FIG. 4 is a rear view of the mouth guard shown in FIG. 1;

FIG. 5 is a front view of the mouth guard shown in FIG. 1;

FIG. 6 is a top view of the mouth guard shown in FIG. 1; and,
FIG. 7 is a bottom rear perspective view of the mouth guard
shown in FIG. 1.

1 Claim, 4 Drawing Sheets



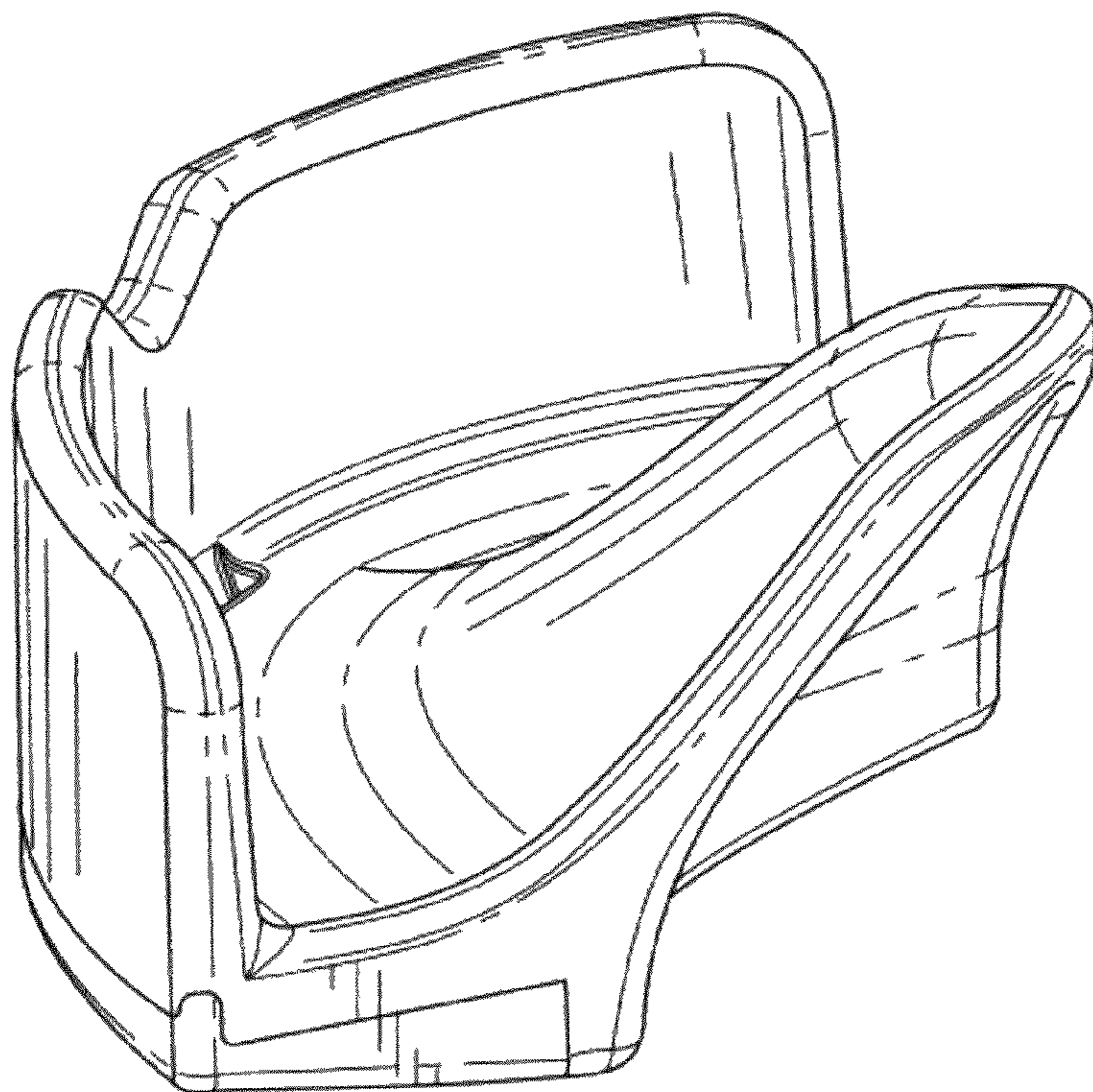


FIG. 1

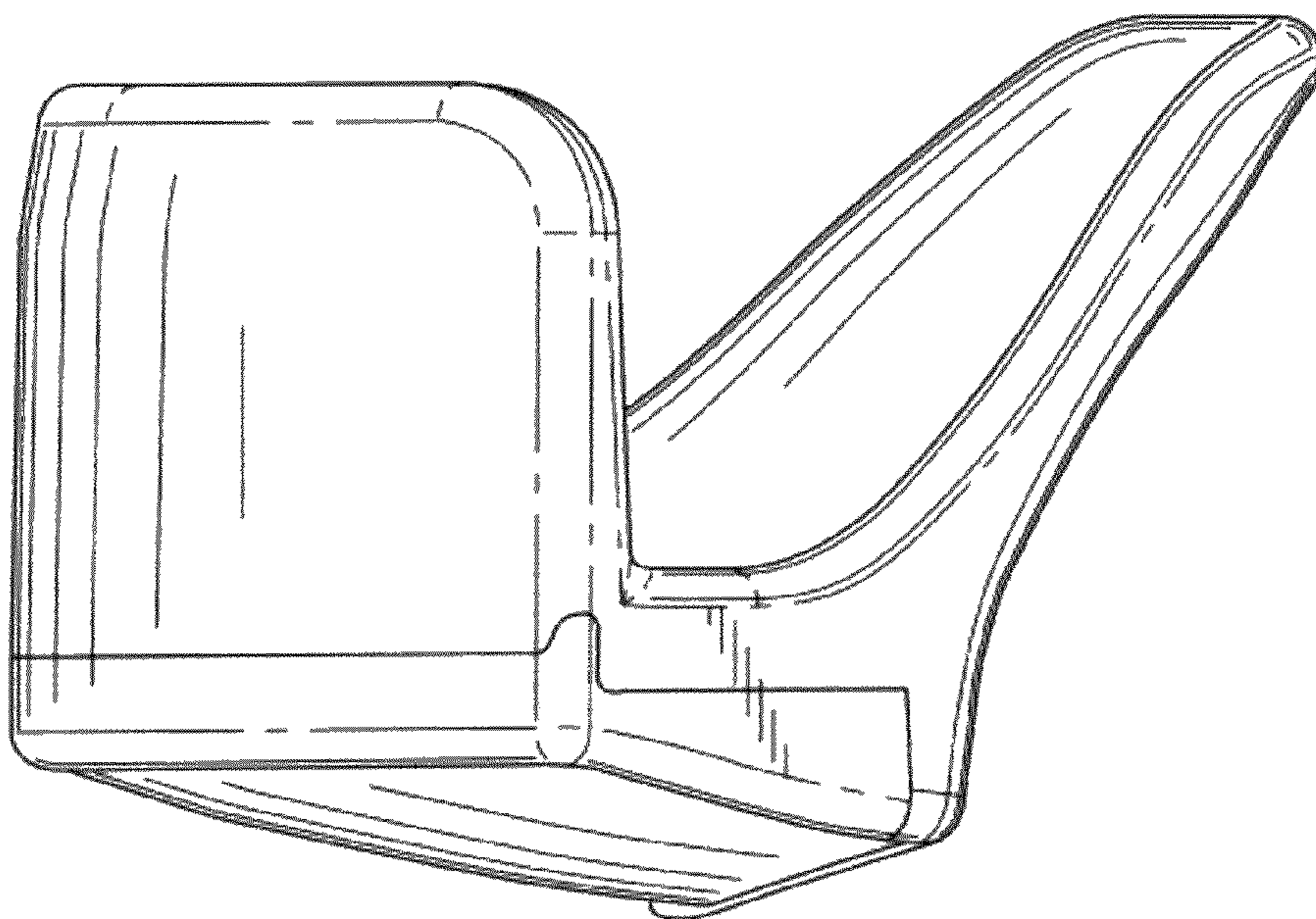


FIG. 2

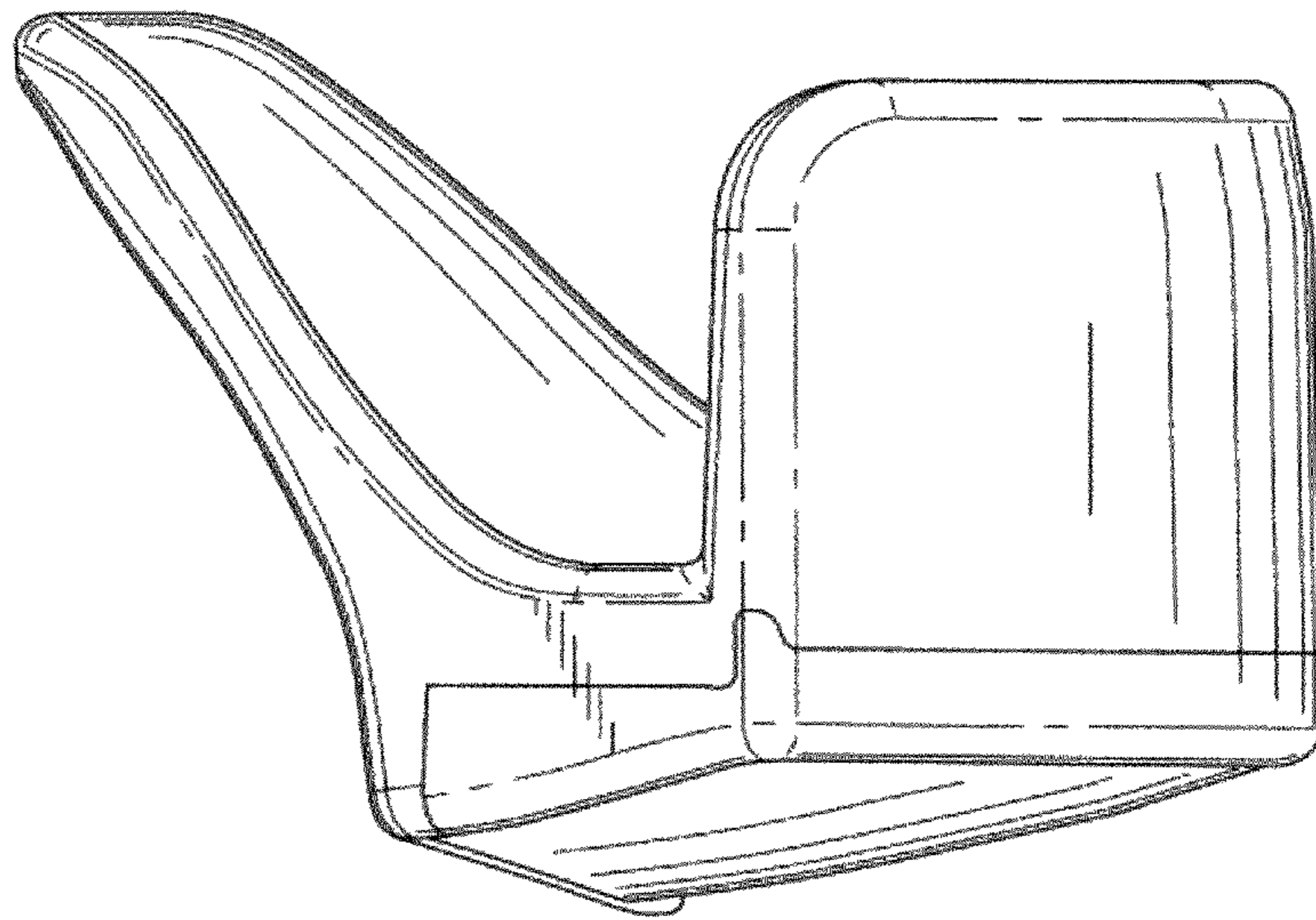


FIG. 3

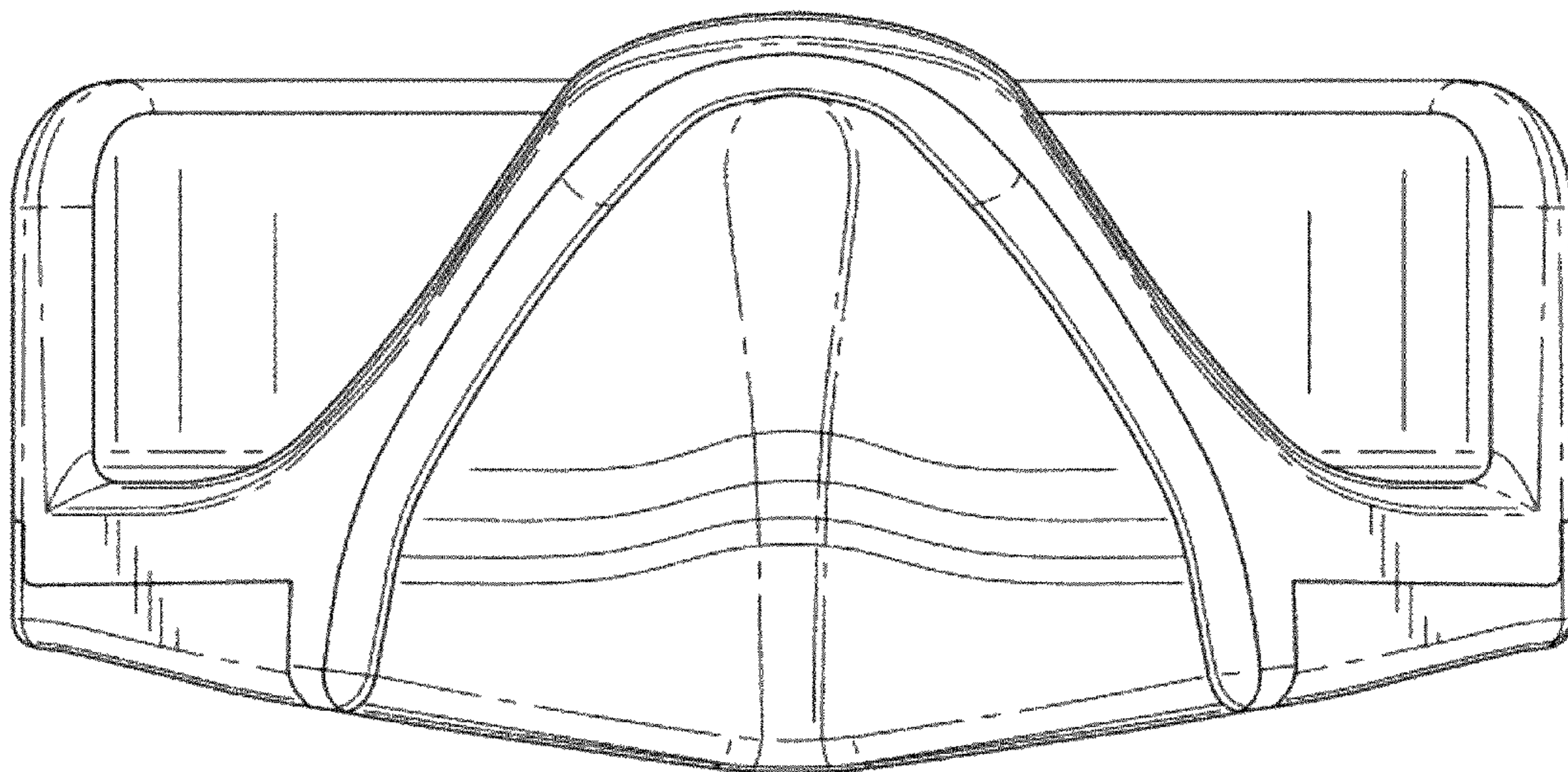


FIG. 4

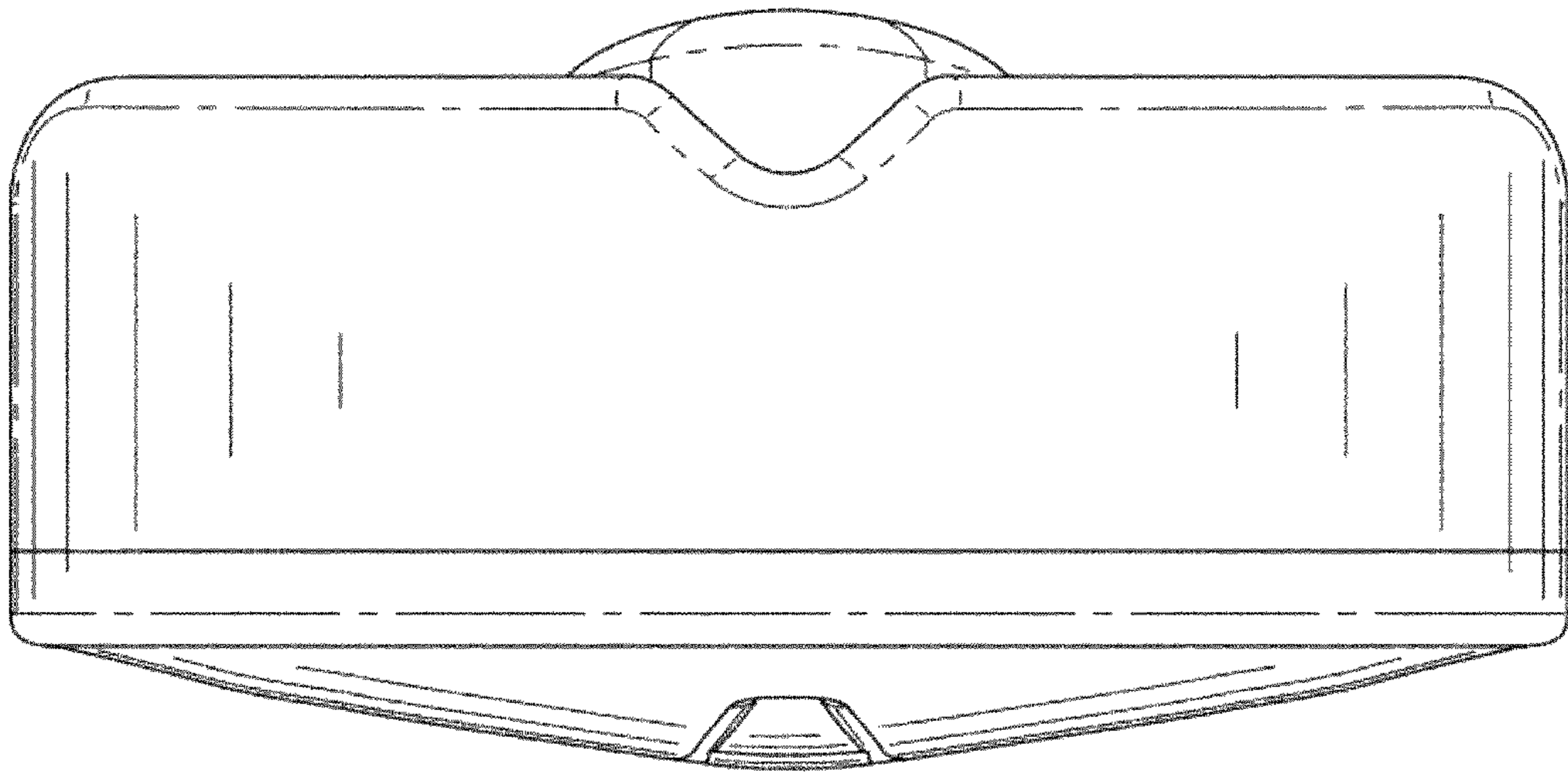


FIG. 5

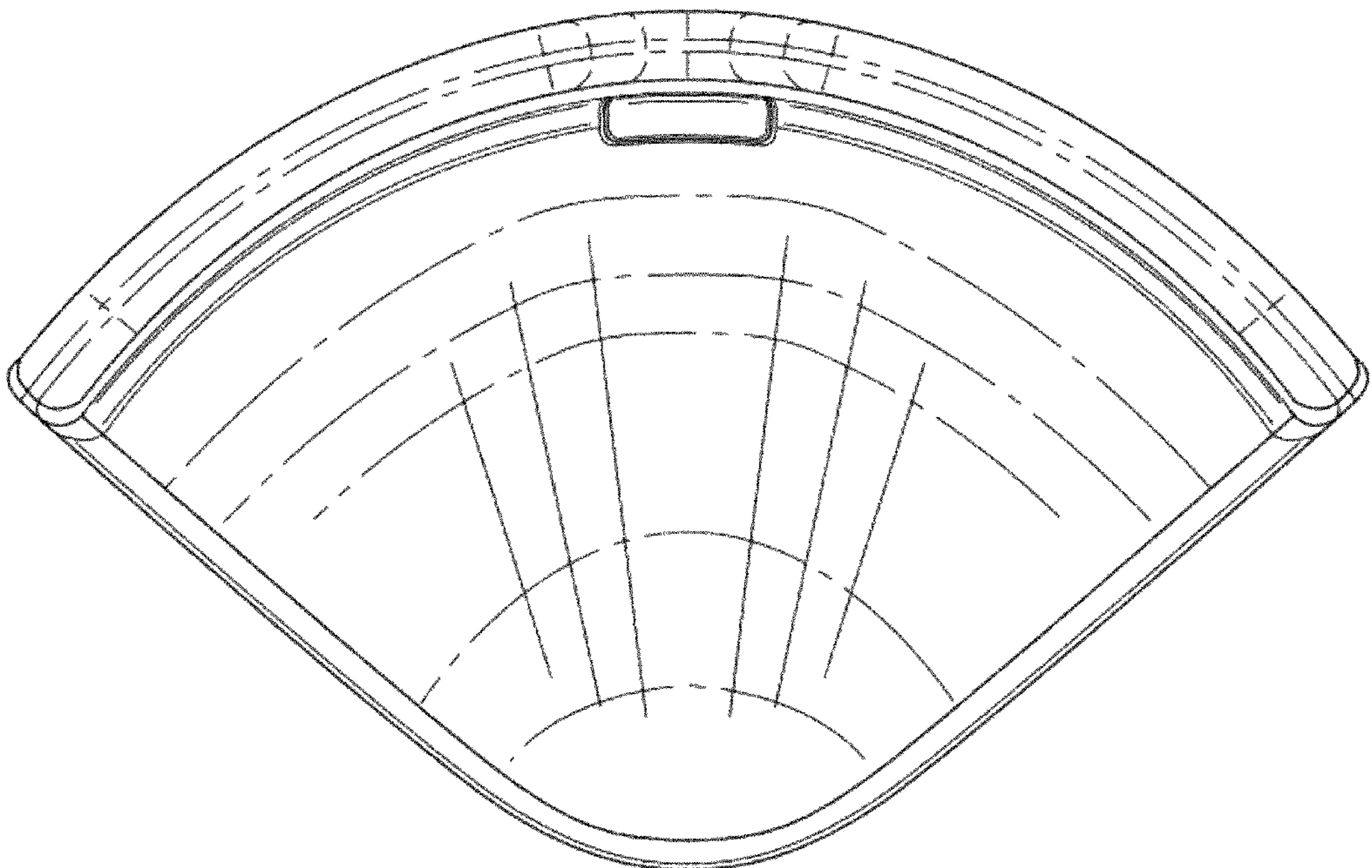


FIG. 6

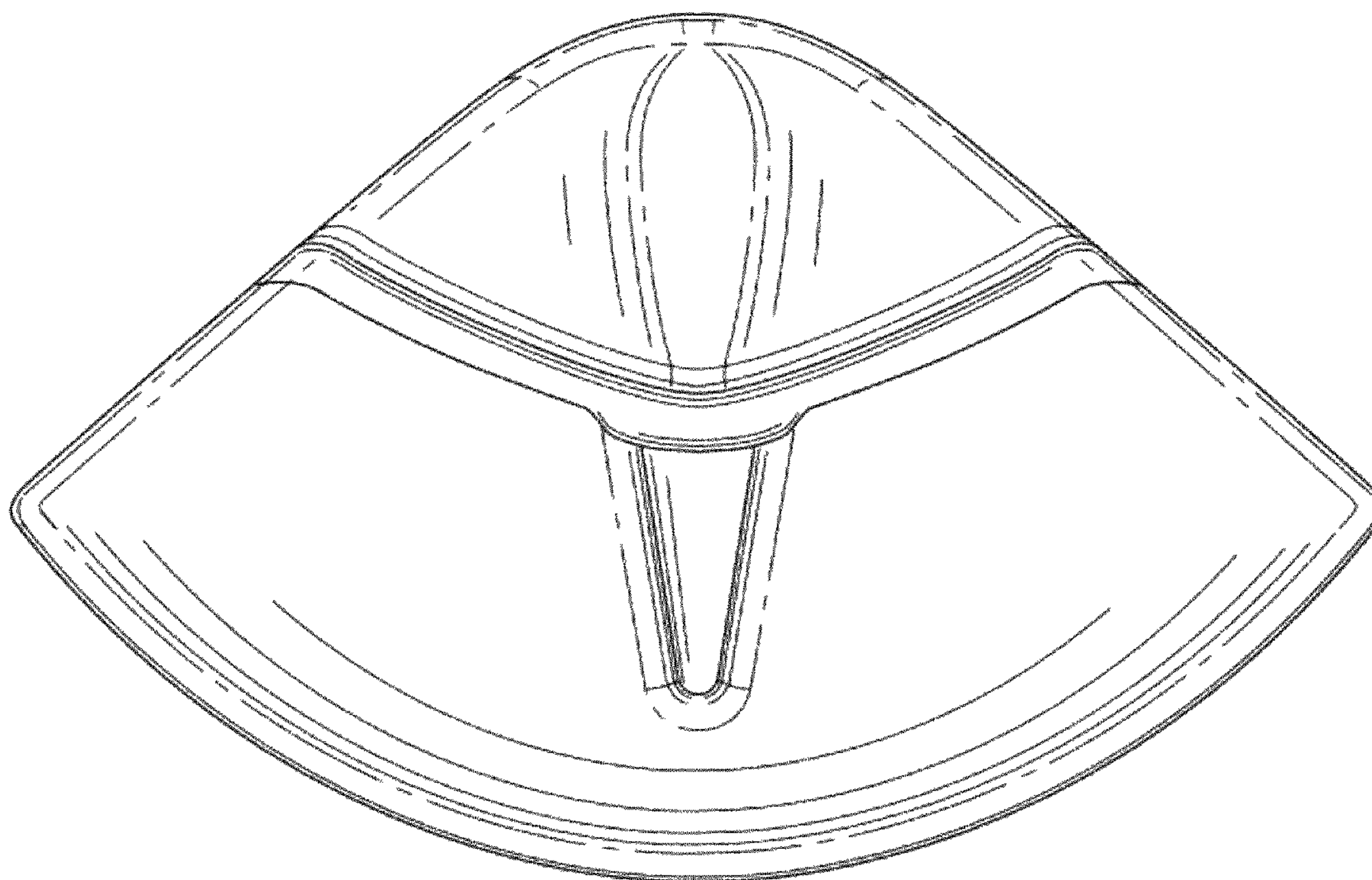


FIG. 7