



US00D675320S

(12) **United States Design Patent**
Oi

(10) **Patent No.:** **US D675,320 S**

(45) **Date of Patent:** **** Jan. 29, 2013**

(54) **INTERVERTEBRAL IMPLANT**

(75) Inventor: **Nelson Oi**, San Diego, CA (US)

(73) Assignee: **NuVasive, Inc.**, San Diego, CA (US)

(**) Term: **14 Years**

(21) Appl. No.: **29/405,583**

(22) Filed: **Nov. 3, 2011**

(51) **LOC (9) Cl.** **24-02**

(52) **U.S. Cl.** **D24/155**

(58) **Field of Classification Search** D24/155,
D24/156, 133, 152, 154, 135, 144-146, 151;
606/194, 198; 623/23.54, 23.7, 1.15, 903;
604/1.02, 103.02

See application file for complete search history.

(56) **References Cited**

U.S. PATENT DOCUMENTS

D533,277 S	*	12/2006	Blain	D24/155
D553,744 S	*	10/2007	Park	D24/155
D594,986 S	*	6/2009	Miles et al.	D24/155
D599,019 S	*	8/2009	Pimenta et al.	D24/155
D616,546 S	*	5/2010	Vraney et al.	D24/155
D620,110 S	*	7/2010	Courtney et al.	D24/155
D620,113 S	*	7/2010	Courtney et al.	D24/155

D621,509 S	*	8/2010	Lovell	D24/155
D625,820 S	*	10/2010	Calverley et al.	D24/155
D627,467 S	*	11/2010	Pannu	D24/155
D627,468 S	*	11/2010	Richter et al.	D24/155
D629,108 S	*	12/2010	Richter et al.	D24/155
D650,481 S	*	12/2011	Gottlieb et al.	D24/155

* cited by examiner

Primary Examiner — Ian Simmons

Assistant Examiner — Charles Hanson

(74) *Attorney, Agent, or Firm* — NuVasive, Inc.; Jonathan Spangler; Jenniffer Russell

(57) **CLAIM**

The ornamental design for an intervertebral implant, substantially as shown and described.

DESCRIPTION

FIG. 1 is a perspective view of an intervertebral implant showing our new design;

FIG. 2 is a first side view thereof;

FIG. 3 is a second side view thereof;

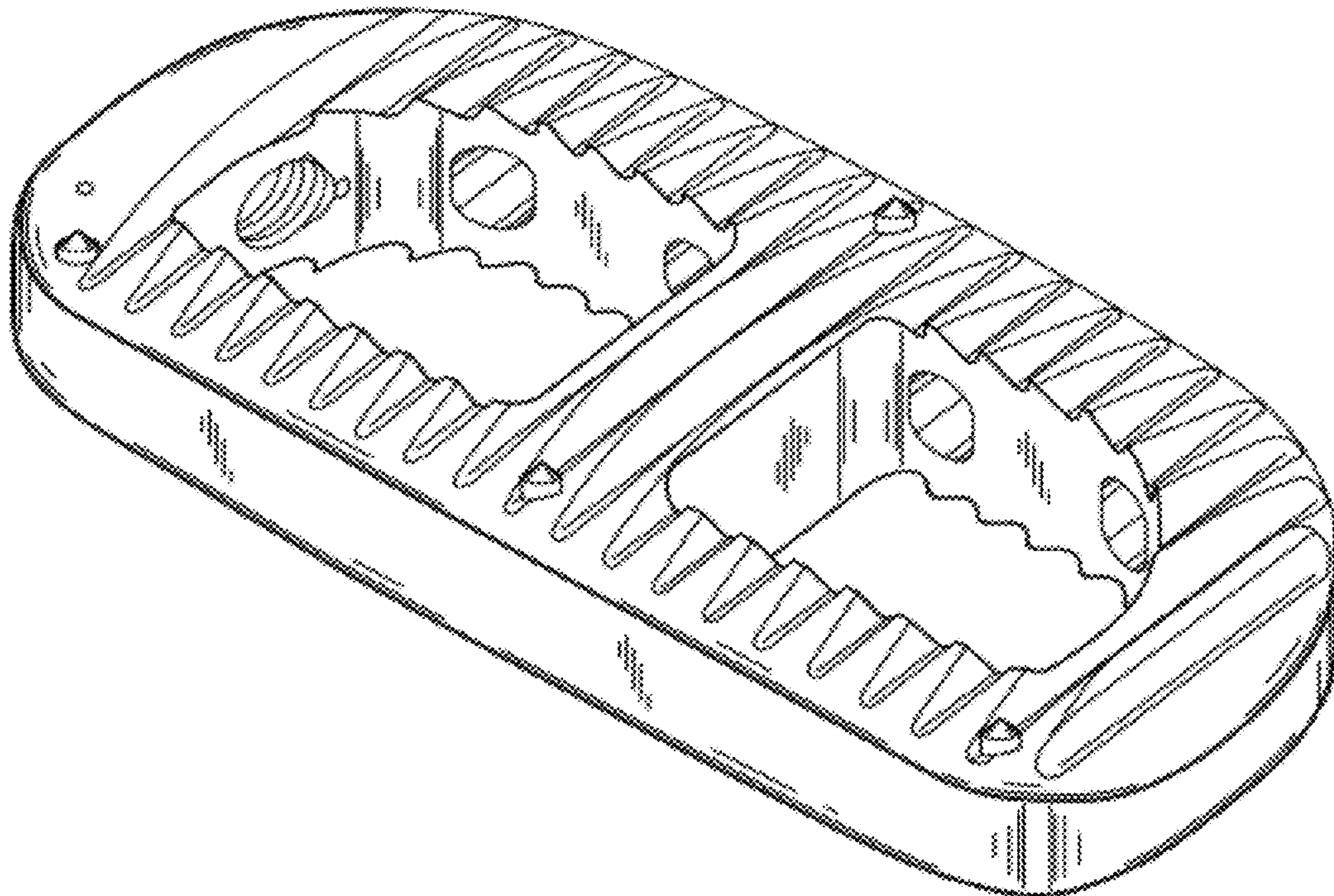
FIG. 4 is a first end view thereof;

FIG. 5 is a second end view thereof;

FIG. 6 is a top view thereof; and,

FIG. 7 is a bottom view thereof.

1 Claim, 3 Drawing Sheets



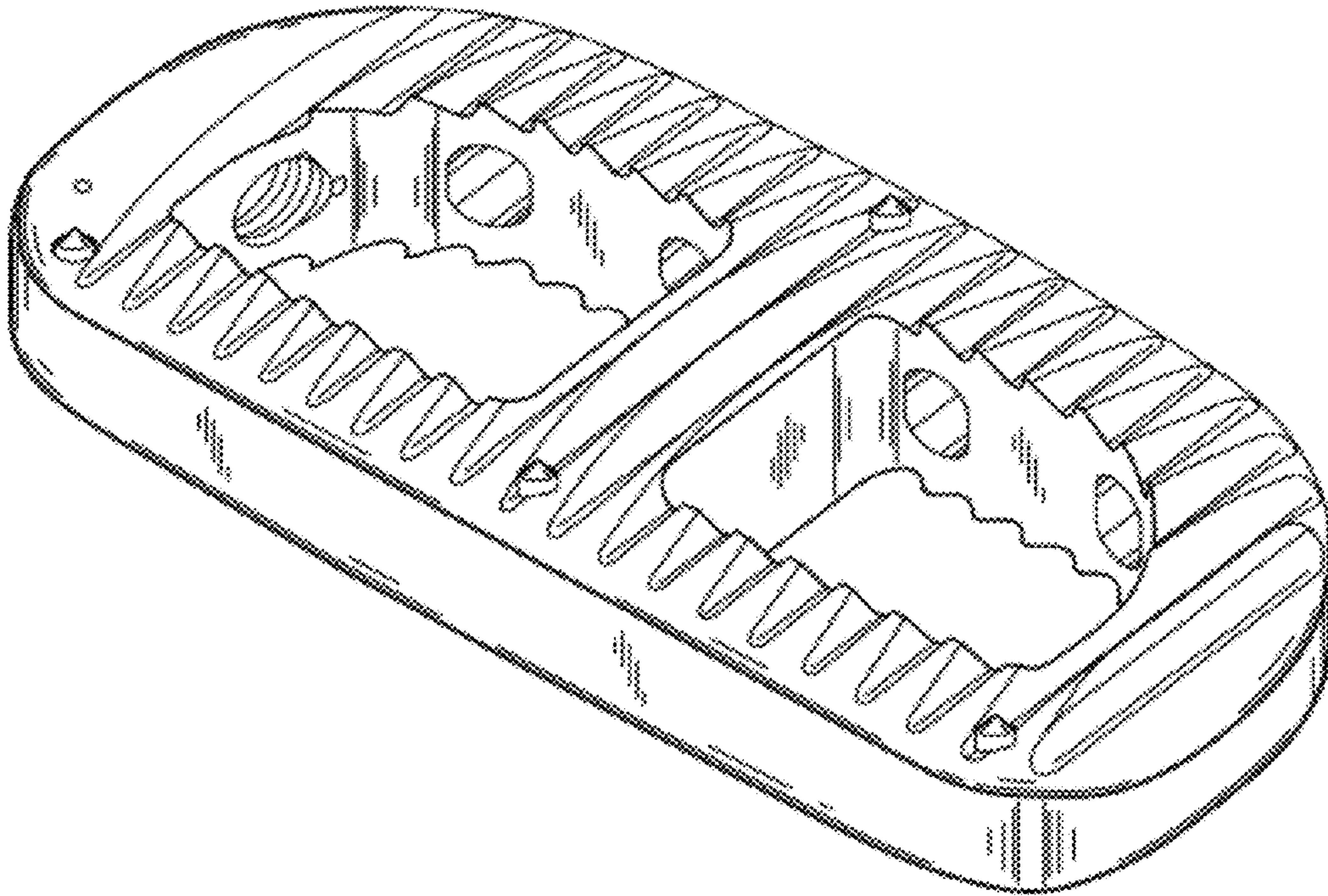


FIG. 1

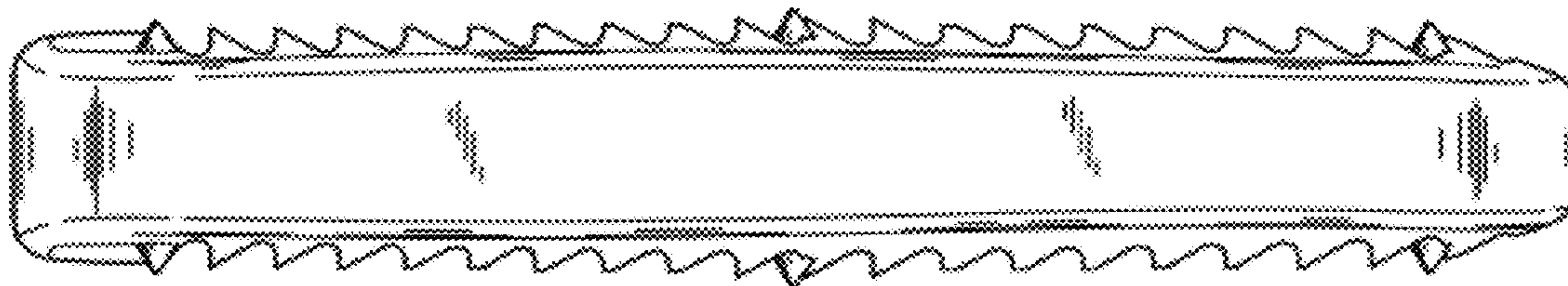


FIG. 2

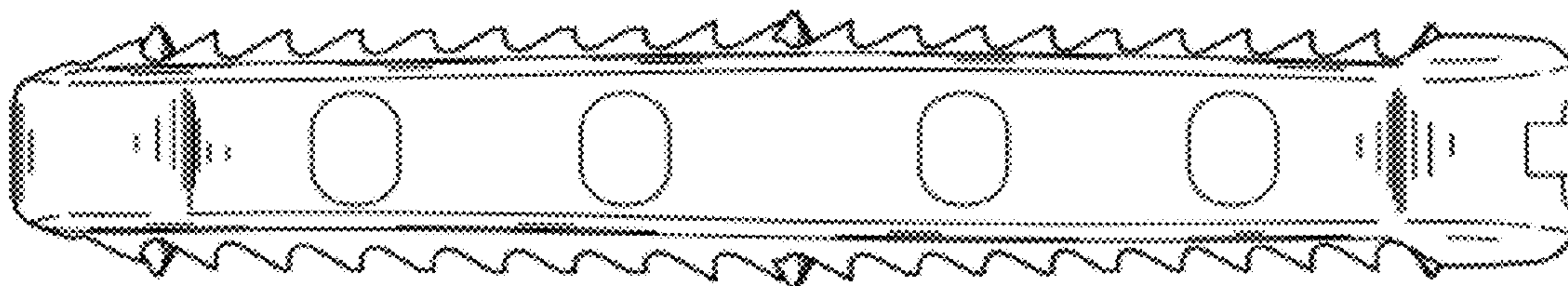


FIG. 3

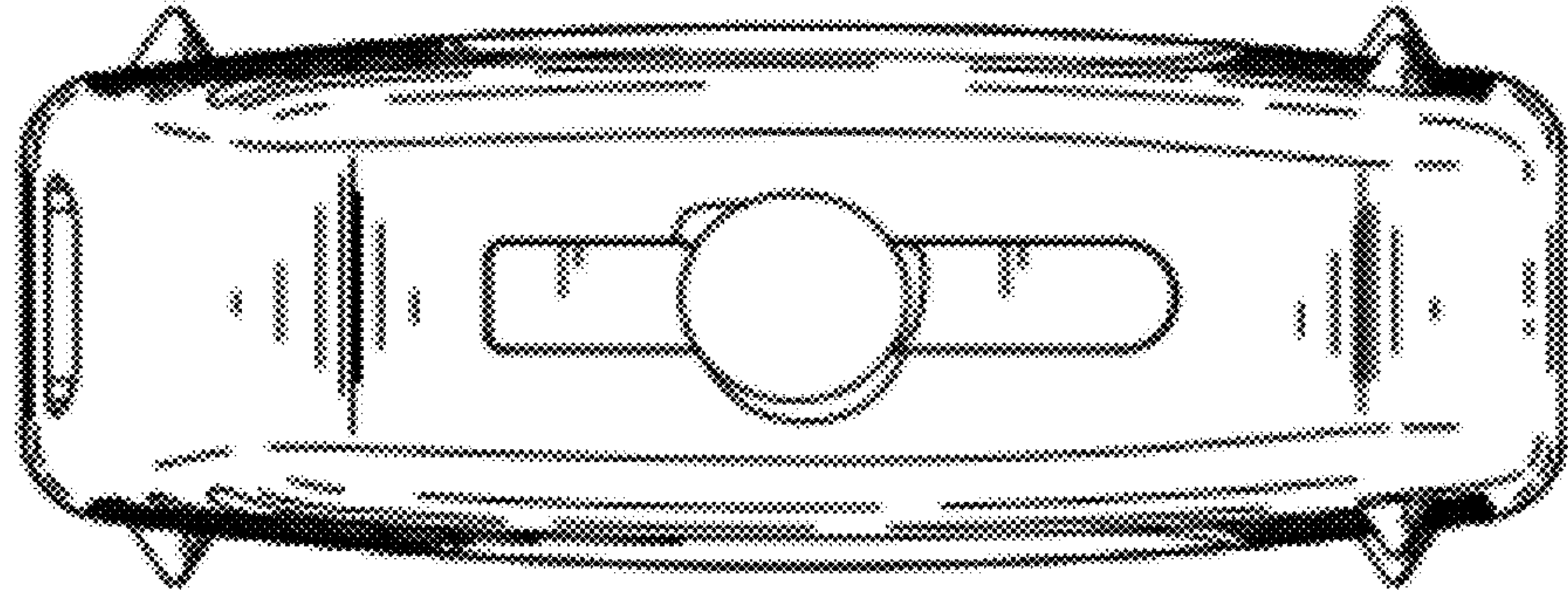


FIG. 4



FIG. 5

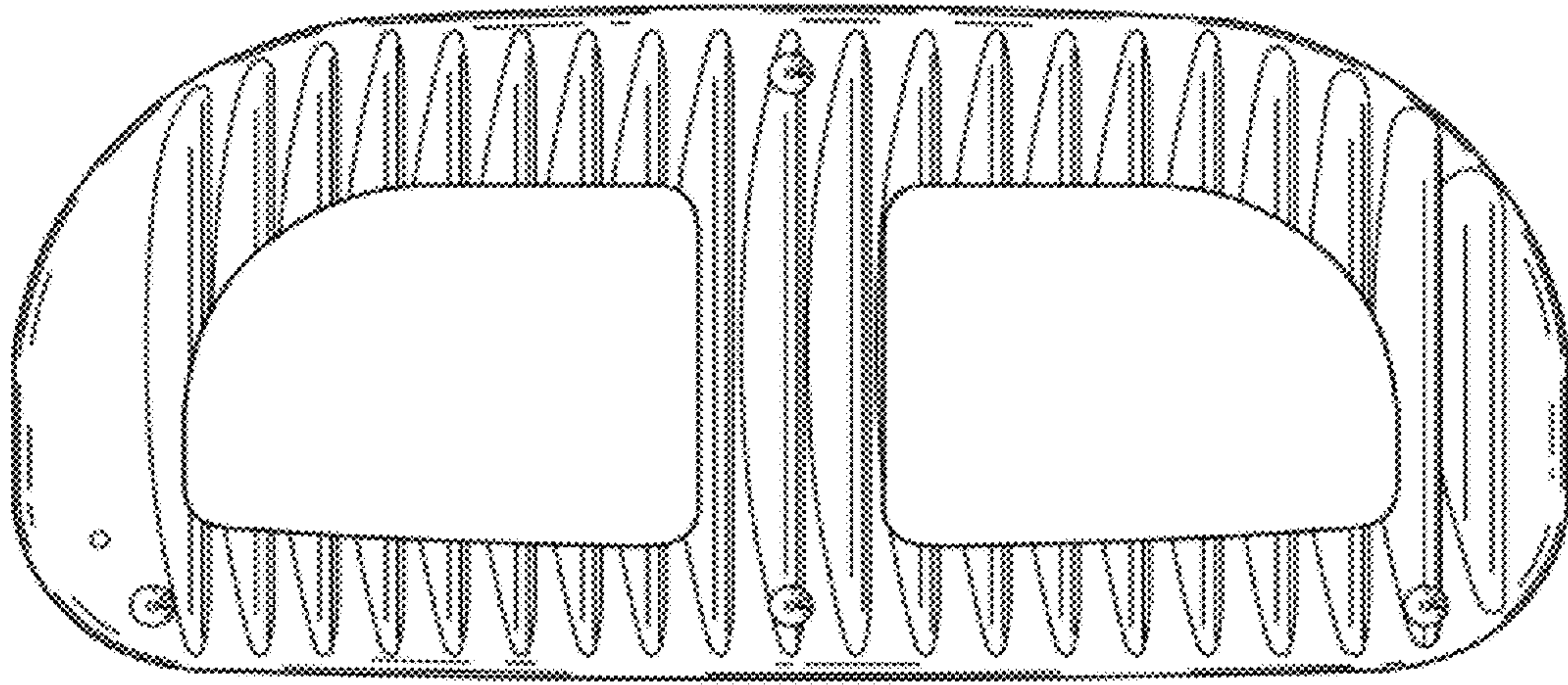


FIG. 6

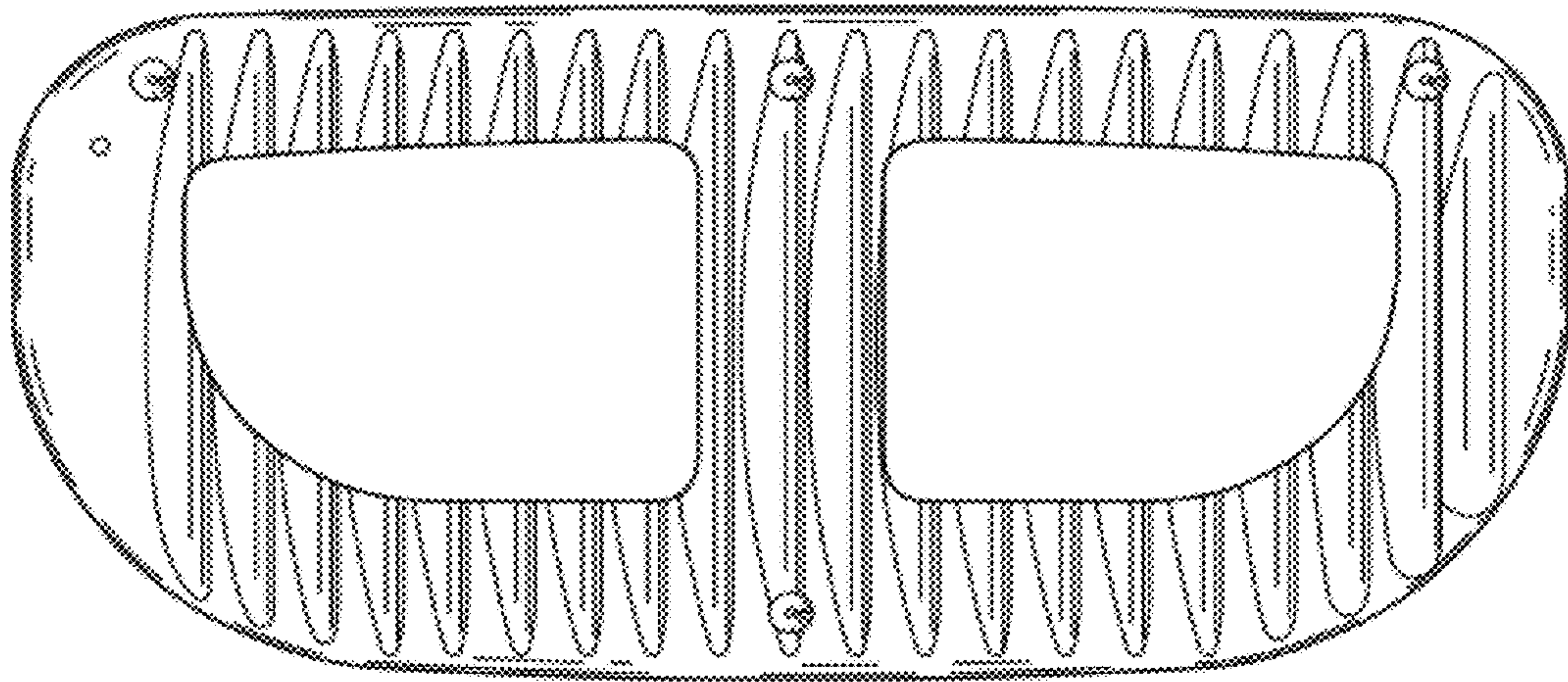


FIG. 7