



US00D675319S

(12) **United States Design Patent**
Huertgen et al.

(10) **Patent No.:** **US D675,319 S**

(45) **Date of Patent:** **** Jan. 29, 2013**

(54) **SPREADABLE MEDIASTINOSCOPE**

(75) Inventors: **Martin Huertgen**, Koblenz (DE);
Albert Linder, Bremen (DE)

(73) Assignee: **Karl Storz GmbH & Co. KG** (DE)

(**) Term: **14 Years**

(21) Appl. No.: **29/364,327**

(22) Filed: **Jun. 22, 2010**

(30) **Foreign Application Priority Data**

Dec. 22, 2009 (DE) 001651142-0002

(51) **LOC (9) Cl.** **24-02**

(52) **U.S. Cl.** **D24/135**

(58) **Field of Classification Search** D24/108,
D24/133, 135, 137, 138; 600/137, 138, 184-188,
600/191, 193, 196, 199, 201, 203, 204, 218,
600/219, 220-223, 227-229, 231, 235

See application file for complete search history.

(56) **References Cited**

U.S. PATENT DOCUMENTS

1,222,478	A *	4/1917	Sheaff	600/220
3,592,199	A *	7/1971	Ostensen	600/198
4,344,419	A *	8/1982	Burgin	600/212
4,360,008	A *	11/1982	Corazzelli, Jr.	600/194
4,827,910	A *	5/1989	Mathews, III	600/194
5,052,372	A *	10/1991	Shapiro	600/222
5,891,018	A *	4/1999	Wells	600/226
5,904,650	A *	5/1999	Wells	600/226
5,954,632	A *	9/1999	Heckele et al.	600/104

6,083,151	A *	7/2000	Renner et al.	600/114
6,669,654	B2 *	12/2003	Diokno et al.	600/591
6,749,563	B2 *	6/2004	Stihl	600/196
D631,963	S *	2/2011	Efinger et al.	D24/137
2001/0056223	A1 *	12/2001	Thompson	600/135
2003/0212309	A1 *	11/2003	Dietzel et al.	600/190
2005/0043633	A1 *	2/2005	Marcotte	600/476
2007/0060794	A1 *	3/2007	Efinger et al.	600/219
2009/0326331	A1 *	12/2009	Rosen	600/224
2010/0191061	A1 *	7/2010	Simons	600/186
2011/0160540	A1 *	6/2011	Smith	600/222

* cited by examiner

Primary Examiner — Ian Simmons

Assistant Examiner — Shannon Weekley

(74) *Attorney, Agent, or Firm* — St. Onge Steward Johnston & Reens LLC

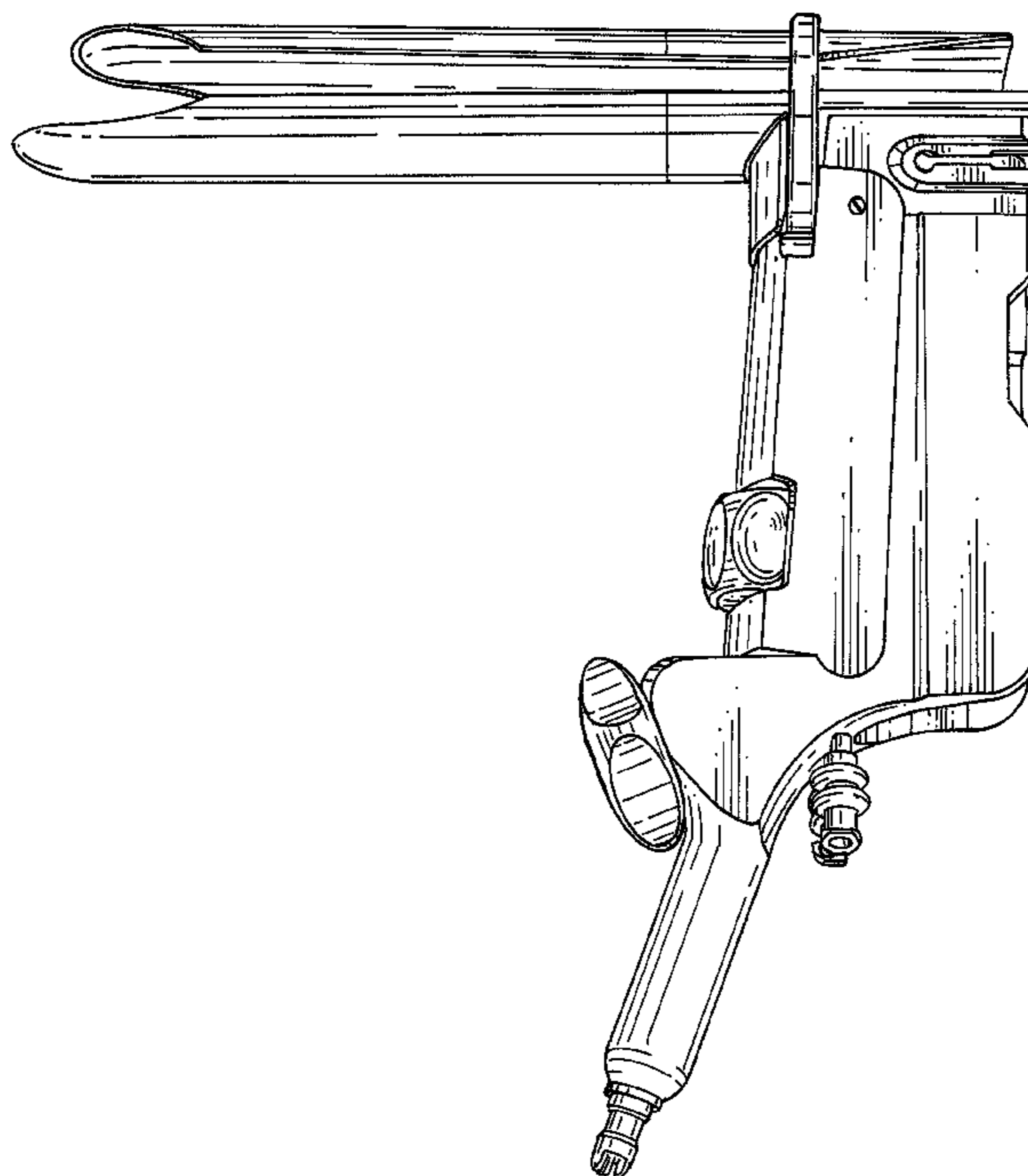
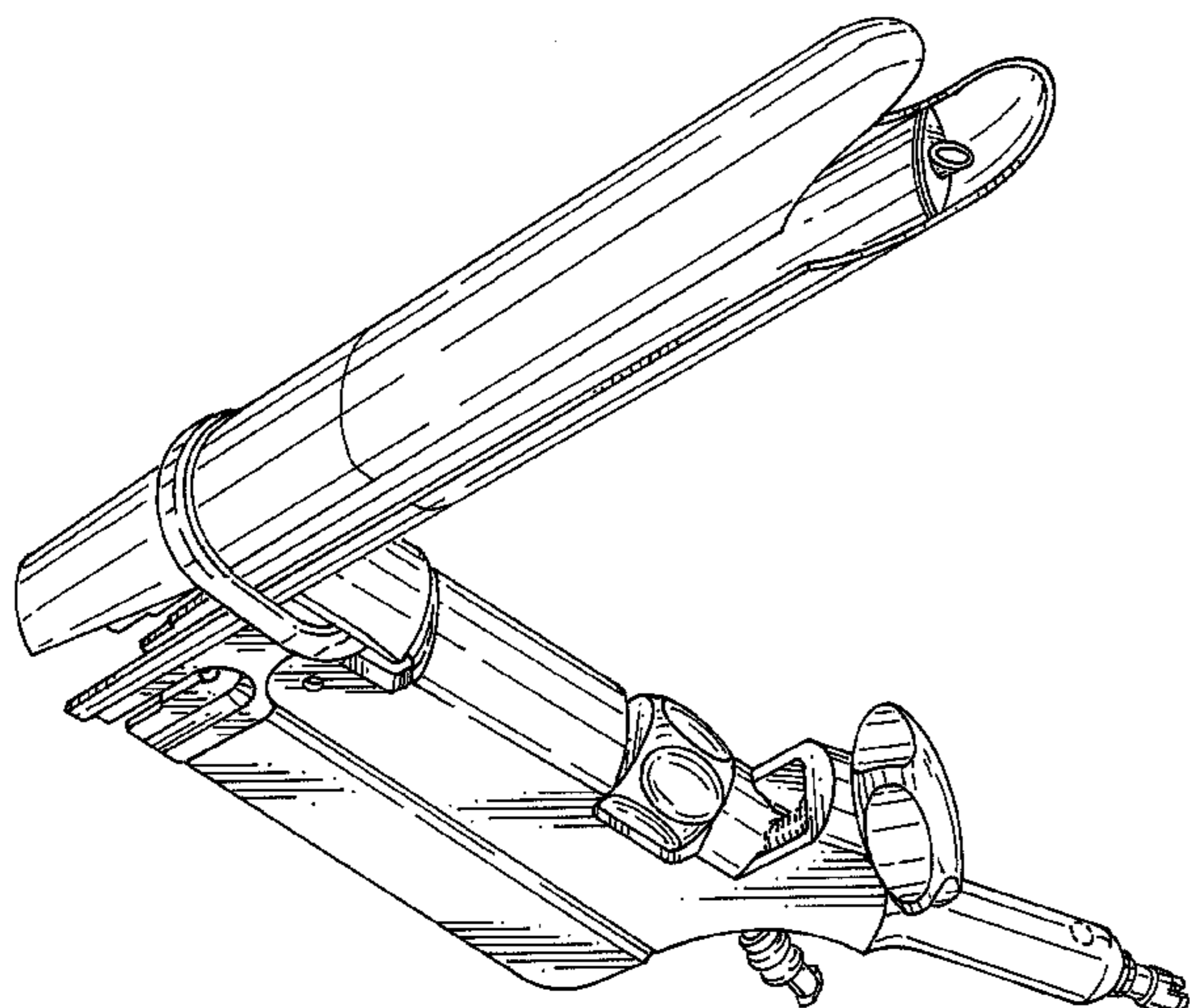
(57) **CLAIM**

The ornamental design for a spreadable mediastinoscope, as shown and described.

DESCRIPTION

FIG. 1 is a top, right side perspective view of a spreadable mediastinoscope in accordance with the new design;
 FIG. 2 is a right side perspective view thereof;
 FIG. 3 is a left side perspective view thereof;
 FIG. 4 is a front perspective view thereof;
 FIG. 5 is a rear perspective view thereof;
 FIG. 6 is a bottom perspective view thereof; and,
 FIG. 7 is a top perspective view thereof.
 The broken line showing in FIGS. 1, 2, 4, 5 and 7 is included for the purpose of illustrating portions of the spreadable mediastinoscope that form no part of the claimed design.

1 Claim, 7 Drawing Sheets



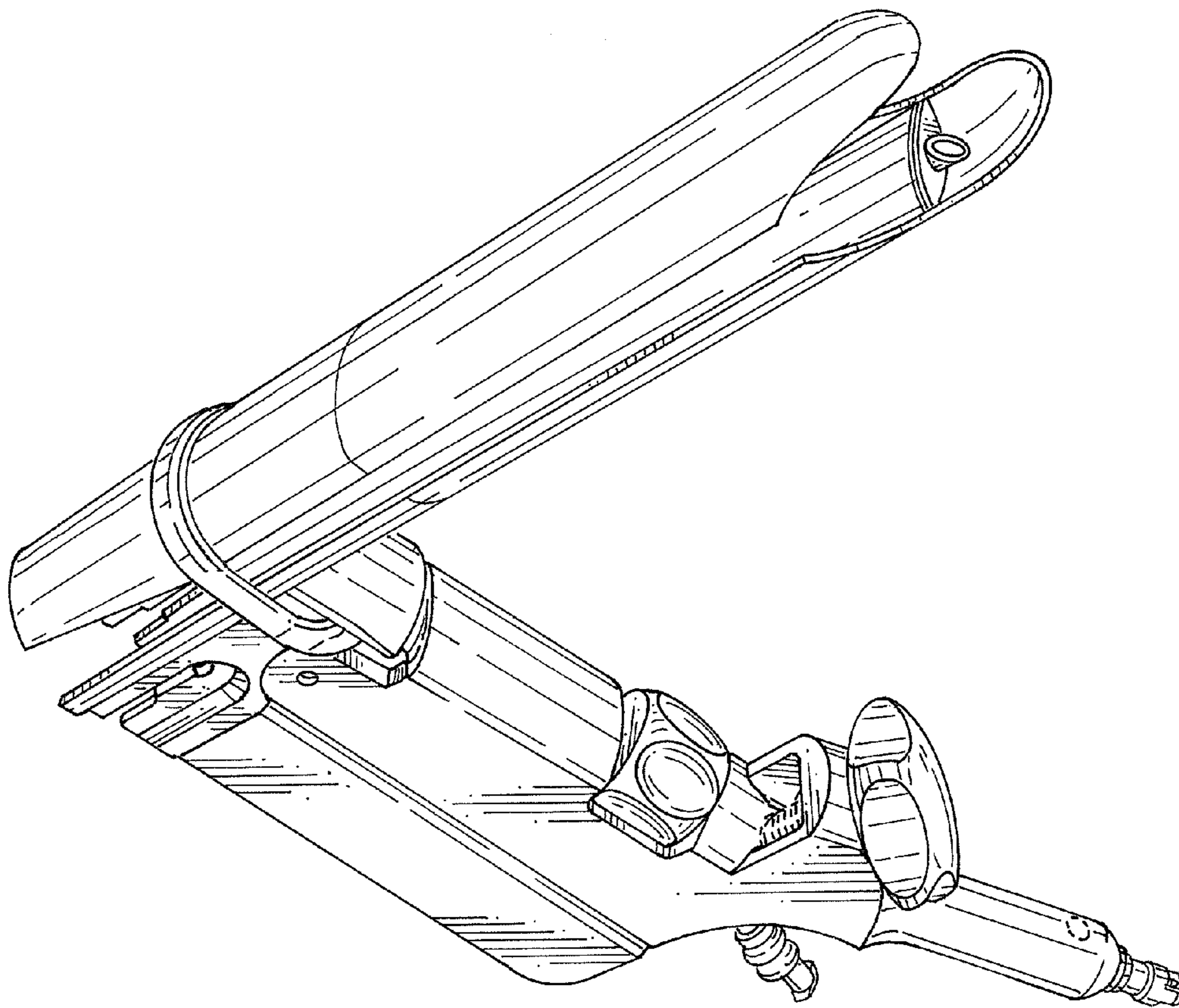
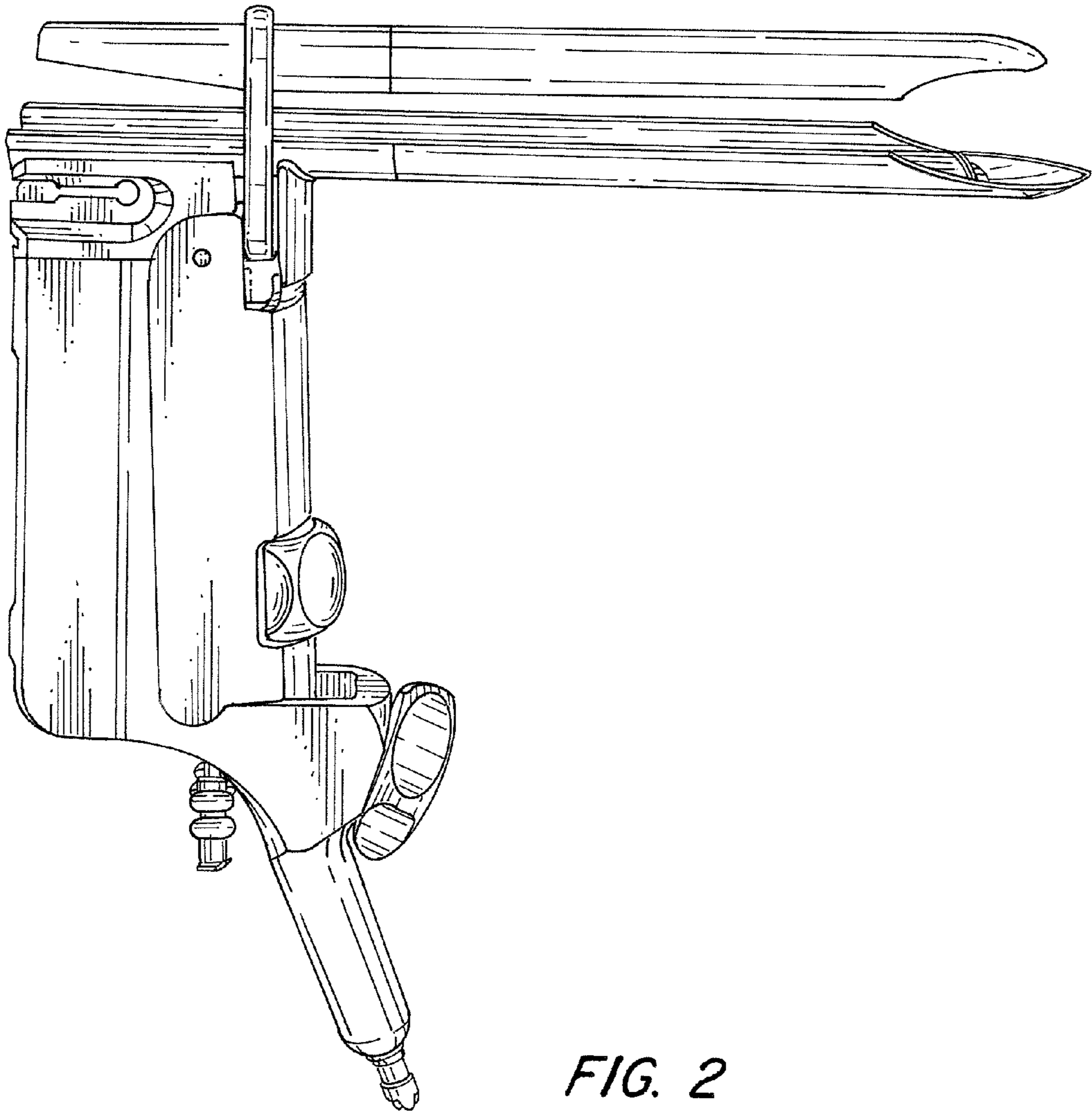


FIG. 1



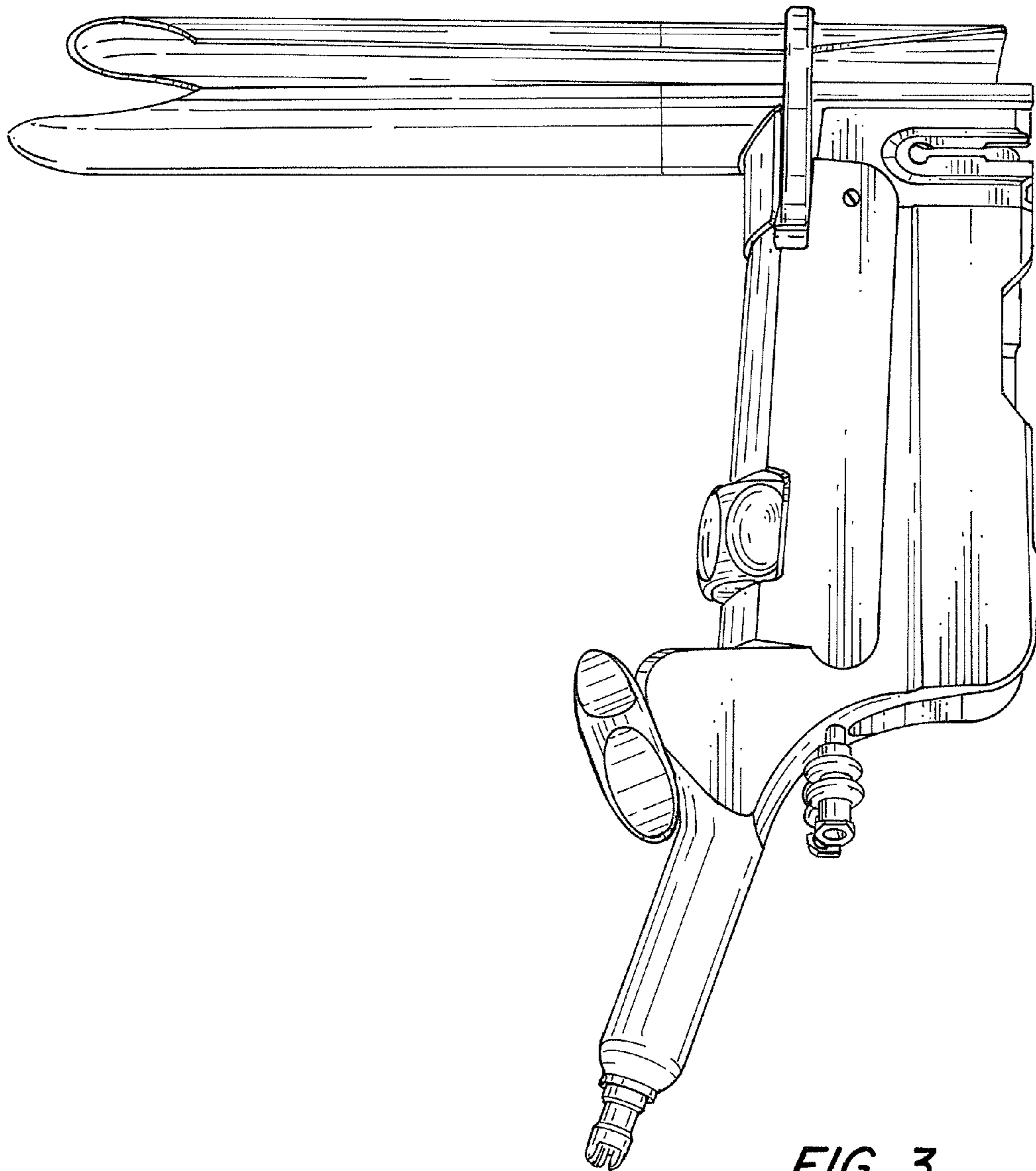


FIG. 3

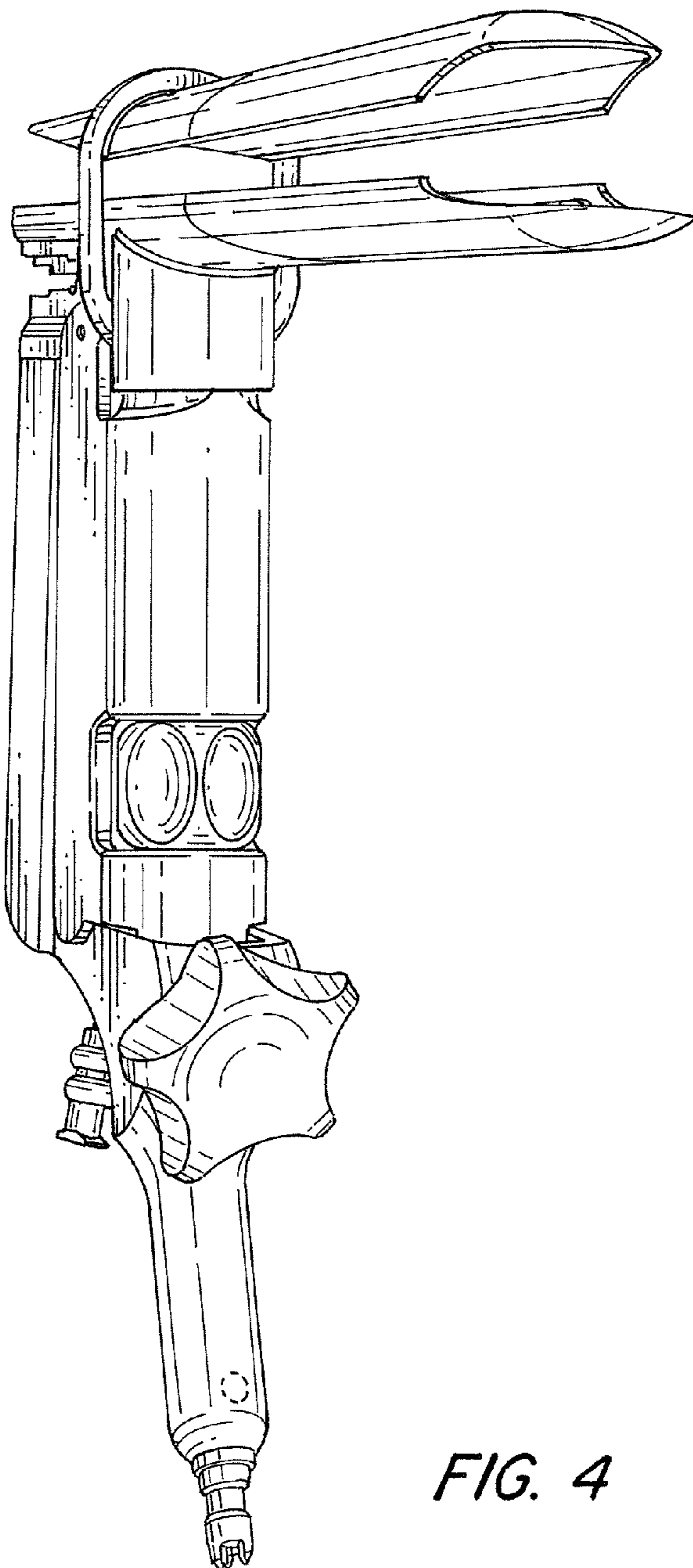


FIG. 4



FIG. 5

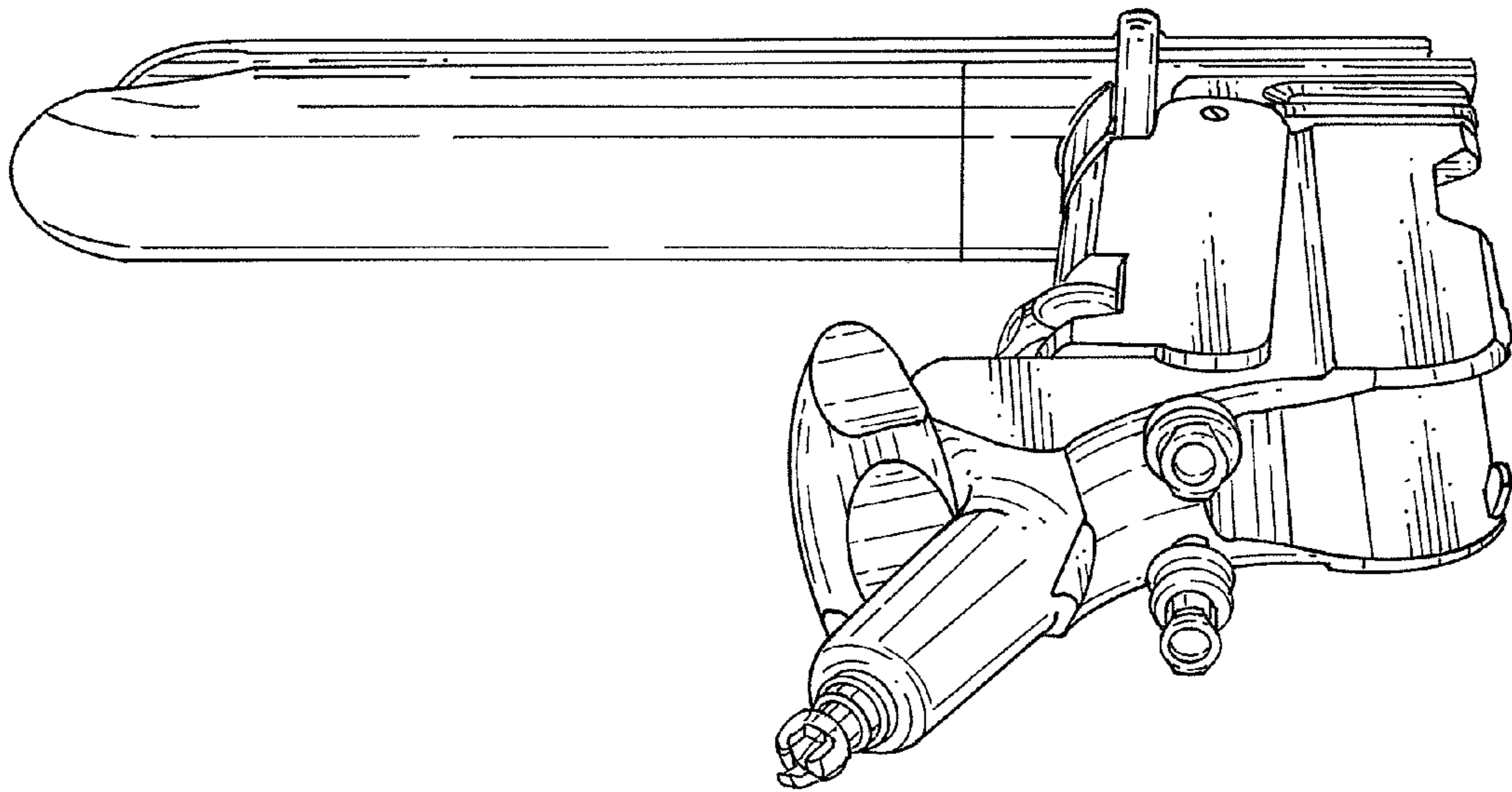


FIG. 6

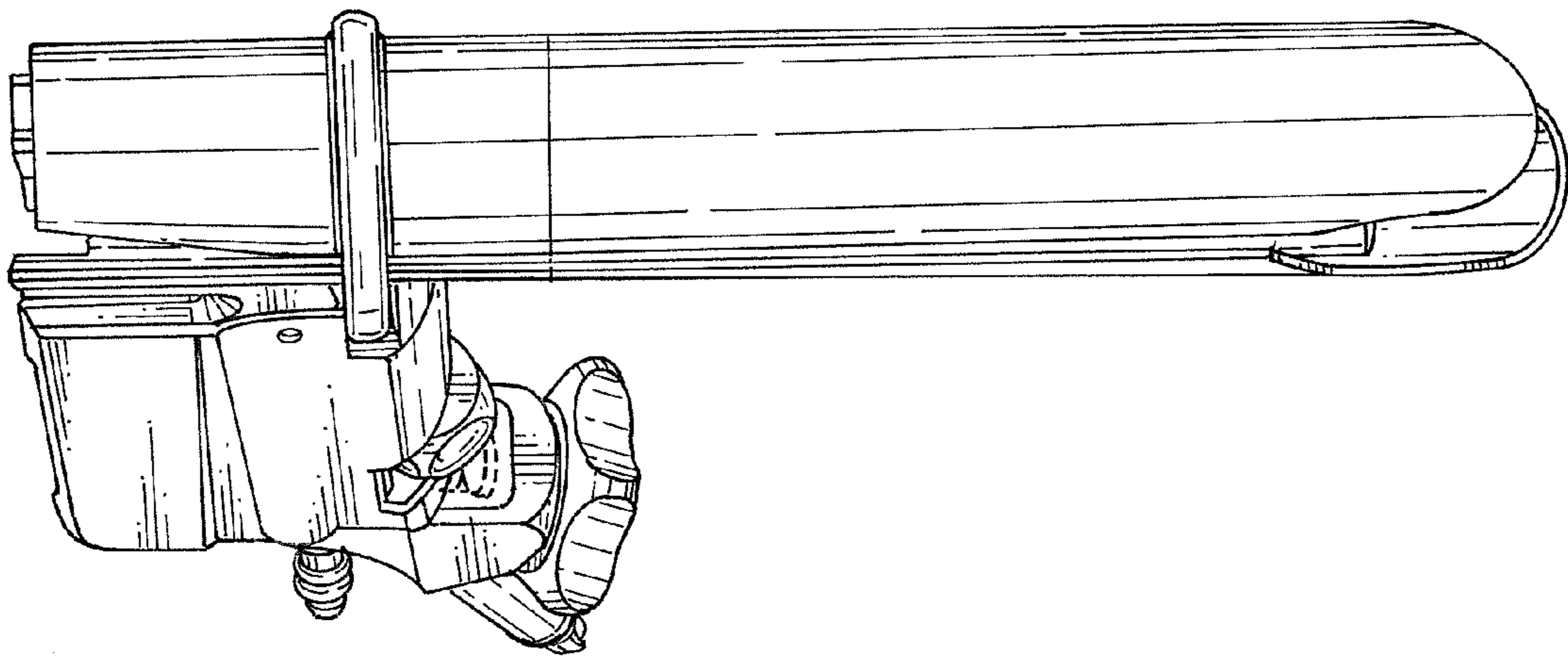


FIG. 7