

US00D675318S

(12) **United States Design Patent**  
**Luk et al.**

(10) **Patent No.:** **US D675,318 S**  
(45) **Date of Patent:** **\*\* Jan. 29, 2013**

(54) **CATHETER HANDLE**

(75) Inventors: **Maria Luk**, Toronto (CA); **Melissa Andrea Natalie Brown**, Toronto (CA)

(73) Assignee: **Baylis Medical Company Inc.**, Montreal (CA)

(\*\*) Term: **14 Years**

(21) Appl. No.: **29/413,075**

(22) Filed: **Feb. 10, 2012**

**Related U.S. Application Data**

(62) Division of application No. 29/394,930, filed on Jun. 23, 2011, now Pat. No. Des. 655,412.

(51) **LOC (9) Cl.** ..... **24-02**

(52) **U.S. Cl.** ..... **D24/130**

(58) **Field of Classification Search** ..... D24/112,  
D24/138, 133, 144, 130, 108, 222, 114, 127;  
604/95.04, 528; 600/374, 381, 463, 466  
See application file for complete search history.

(56) **References Cited**

**U.S. PATENT DOCUMENTS**

5,364,352	A *	11/1994	Cimino et al. ....	604/95.04
6,589,182	B1 *	7/2003	Loftman et al. ....	600/466
6,776,765	B2 *	8/2004	Soukup et al. ....	600/585
D550,356	S *	9/2007	Anderson et al. ....	D24/133
D564,093	S *	3/2008	Marchand et al. ....	D24/133
D579,562	S *	10/2008	Anderson et al. ....	D24/133
D630,321	S *	1/2011	Hamilton, Jr. ....	D24/133
D640,785	S *	6/2011	Lee ..... ..	D24/112
D655,412	S *	3/2012	Luk et al. .... ..	D24/130
2003/0125663	A1 *	7/2003	Coleman et al. ....	604/95.04
2003/0181854	A1 *	9/2003	Sauvageau ..... ..	604/95.04

2004/0143197	A1 *	7/2004	Soukup et al. ....	600/585
2005/0256452	A1 *	11/2005	DeMarchi et al. ....	604/95.04
2006/0142694	A1 *	6/2006	Bednarek et al. ....	604/95.04
2010/0256606	A1 *	10/2010	Lippert et al. ....	604/529

**OTHER PUBLICATIONS**

Goodman, Eric L., Restriction Requirement, U.S. Appl. No. 29/394,930, Mailed on Sep. 15, 2011.

\* cited by examiner

*Primary Examiner* — Eric Goodman

(74) *Attorney, Agent, or Firm* — Nir Lifshitz; Glenn Arnold

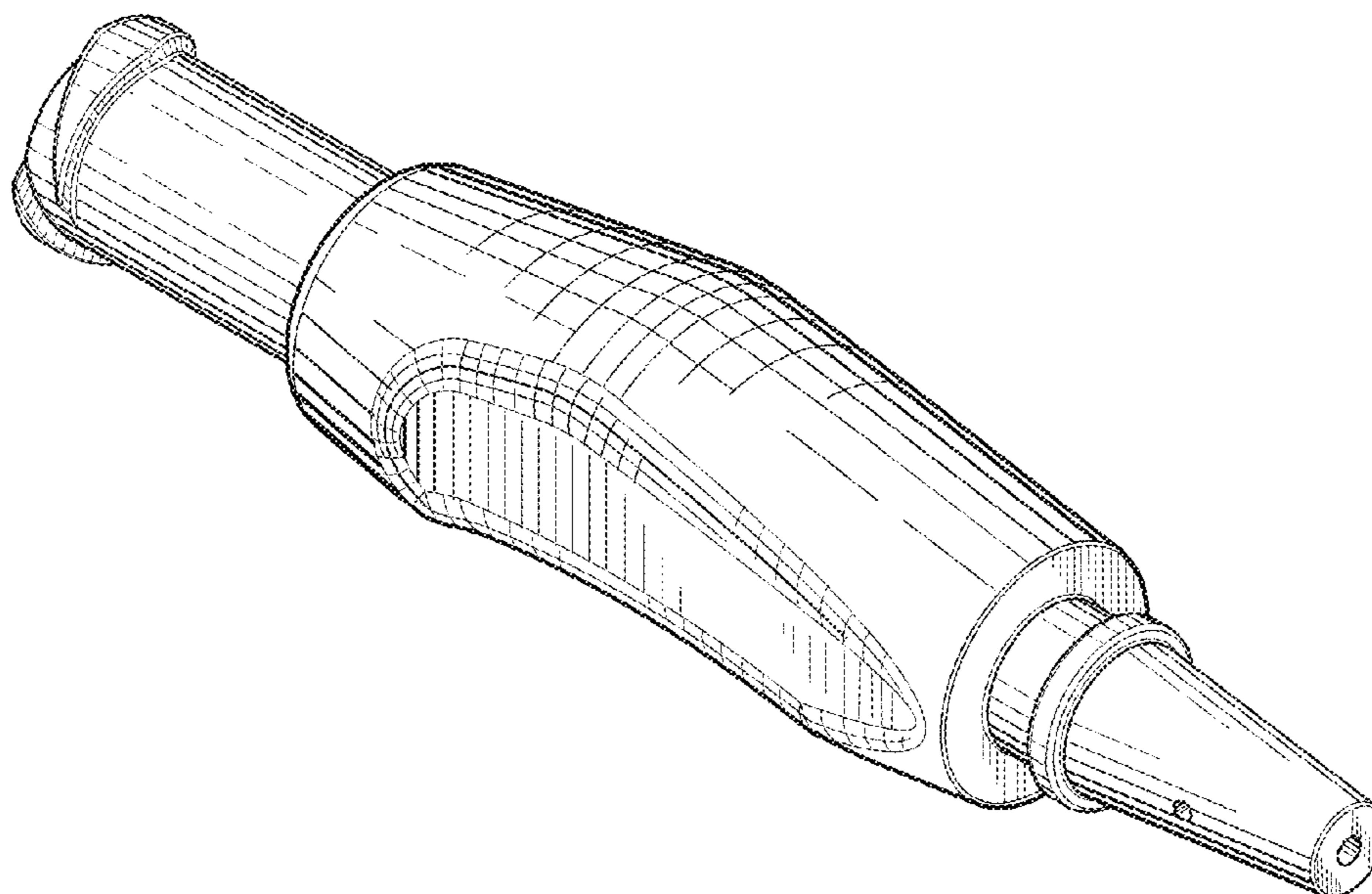
(57) **CLAIM**

The ornamental design for a catheter handle, as shown and described.

**DESCRIPTION**

FIG. 1 is a top front perspective view of a catheter handle, showing our new design;  
FIG. 2 is a bottom front perspective view of the catheter handle of FIG. 1;  
FIG. 3 is a top side view of the catheter handle of FIG. 1;  
FIG. 4 is a bottom side view of the catheter handle of FIG. 1;  
FIG. 5 is a right side view of the catheter handle of FIG. 1;  
FIG. 6 is a left side view of the catheter handle of FIG. 1;  
FIG. 7 is a front side view of the catheter handle of FIG. 1;  
and,  
FIG. 8 is a rear side view of the catheter handle of FIG. 1.  
Those portions shown in broken lines are for illustrative purposes only and form no part of the claimed design.

**1 Claim, 5 Drawing Sheets**



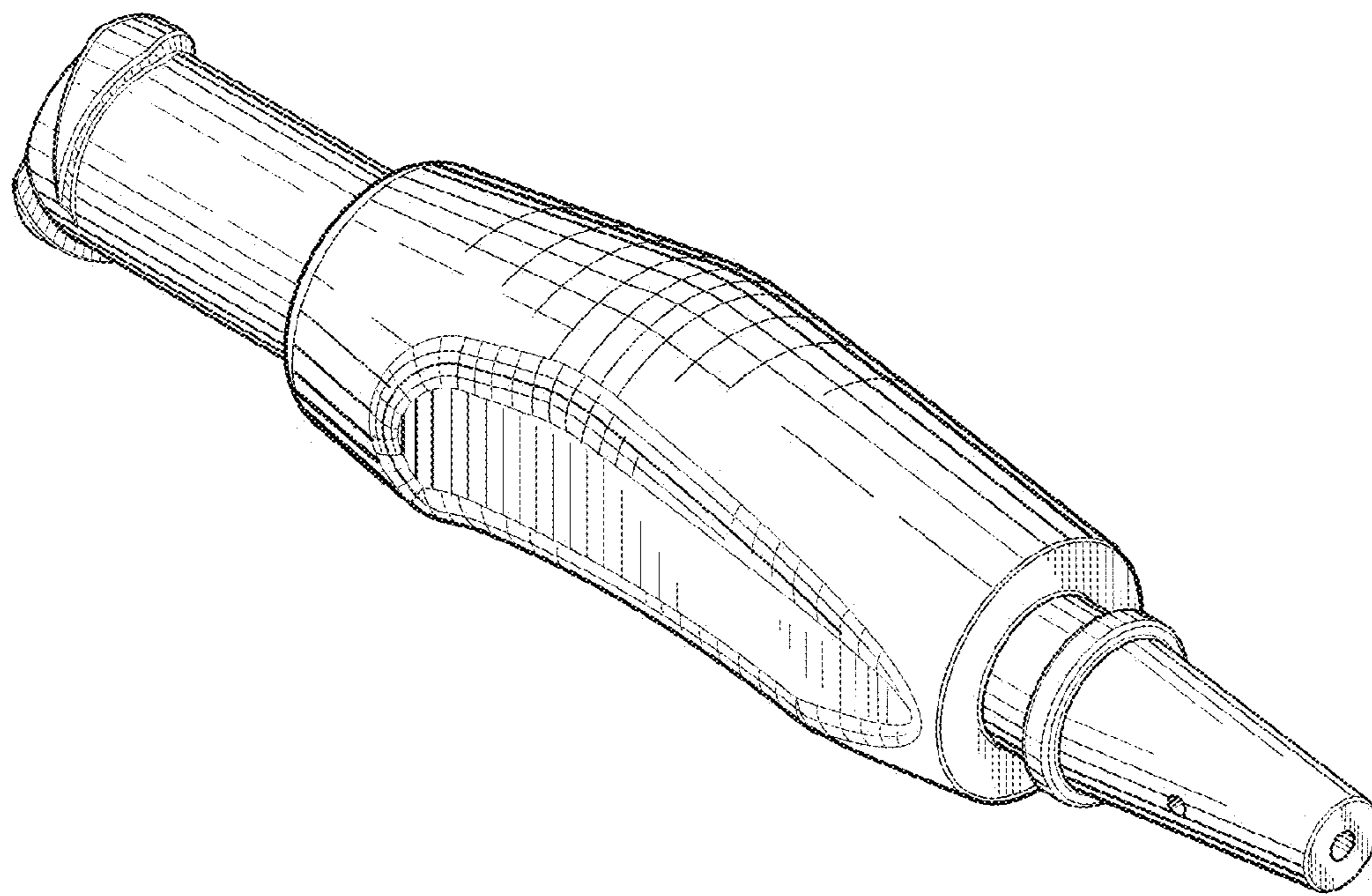


FIG. 1

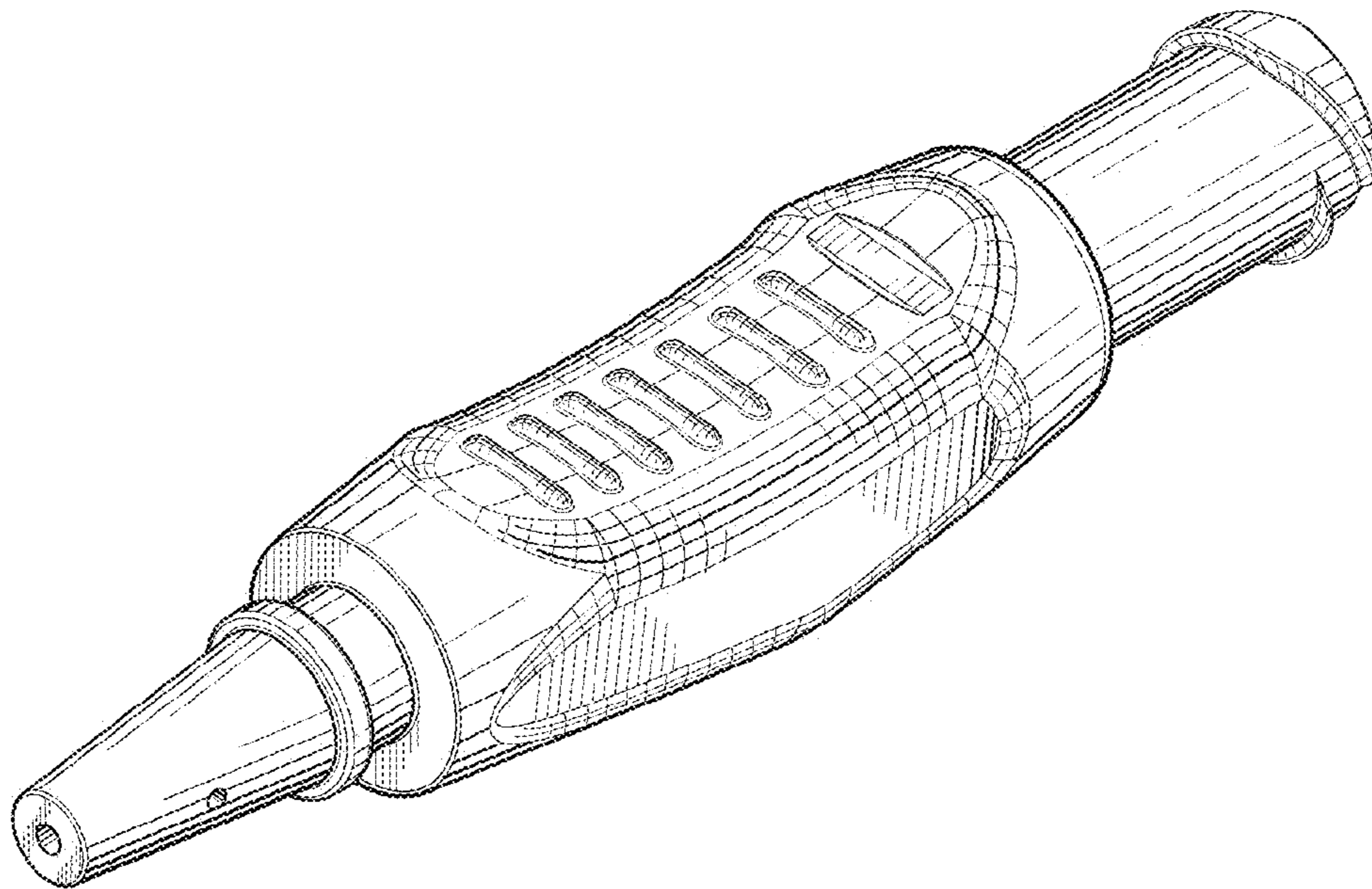


FIG.2

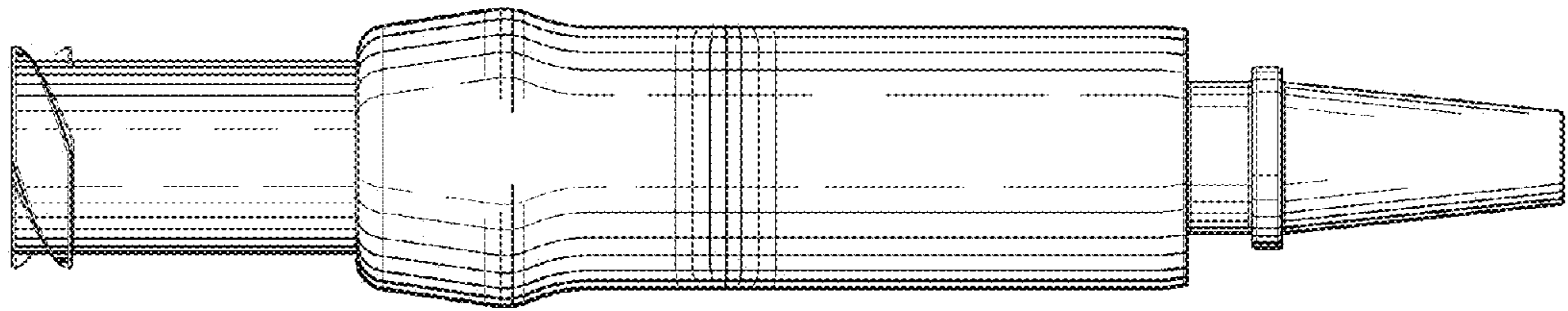


FIG.3

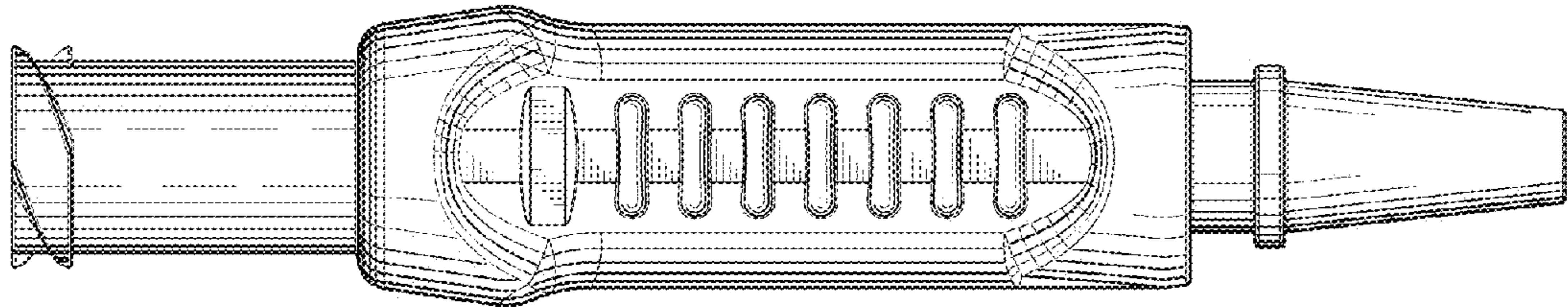


FIG.4

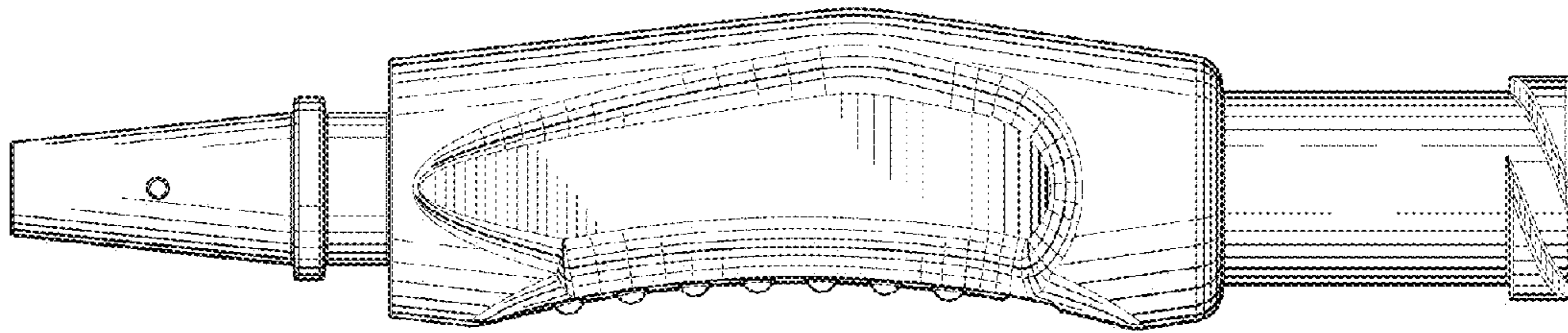


FIG.5

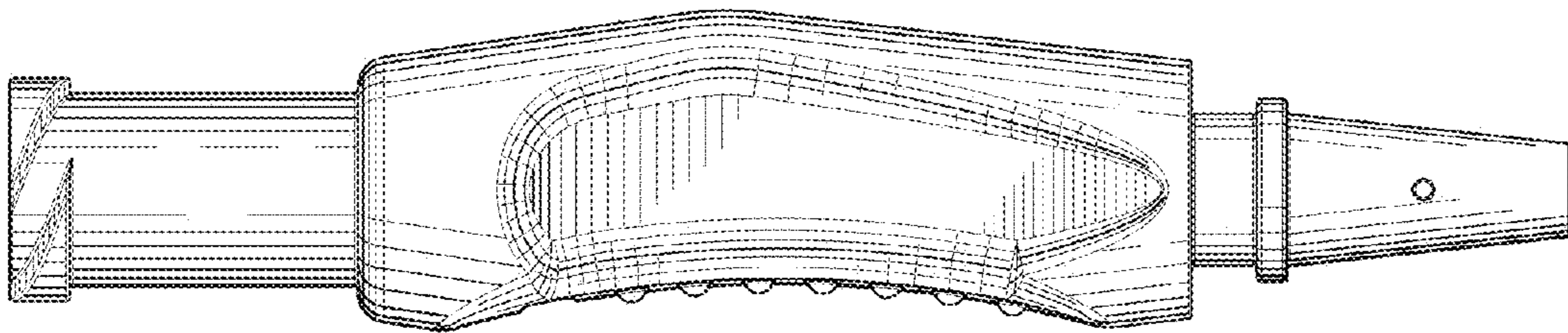


FIG.6

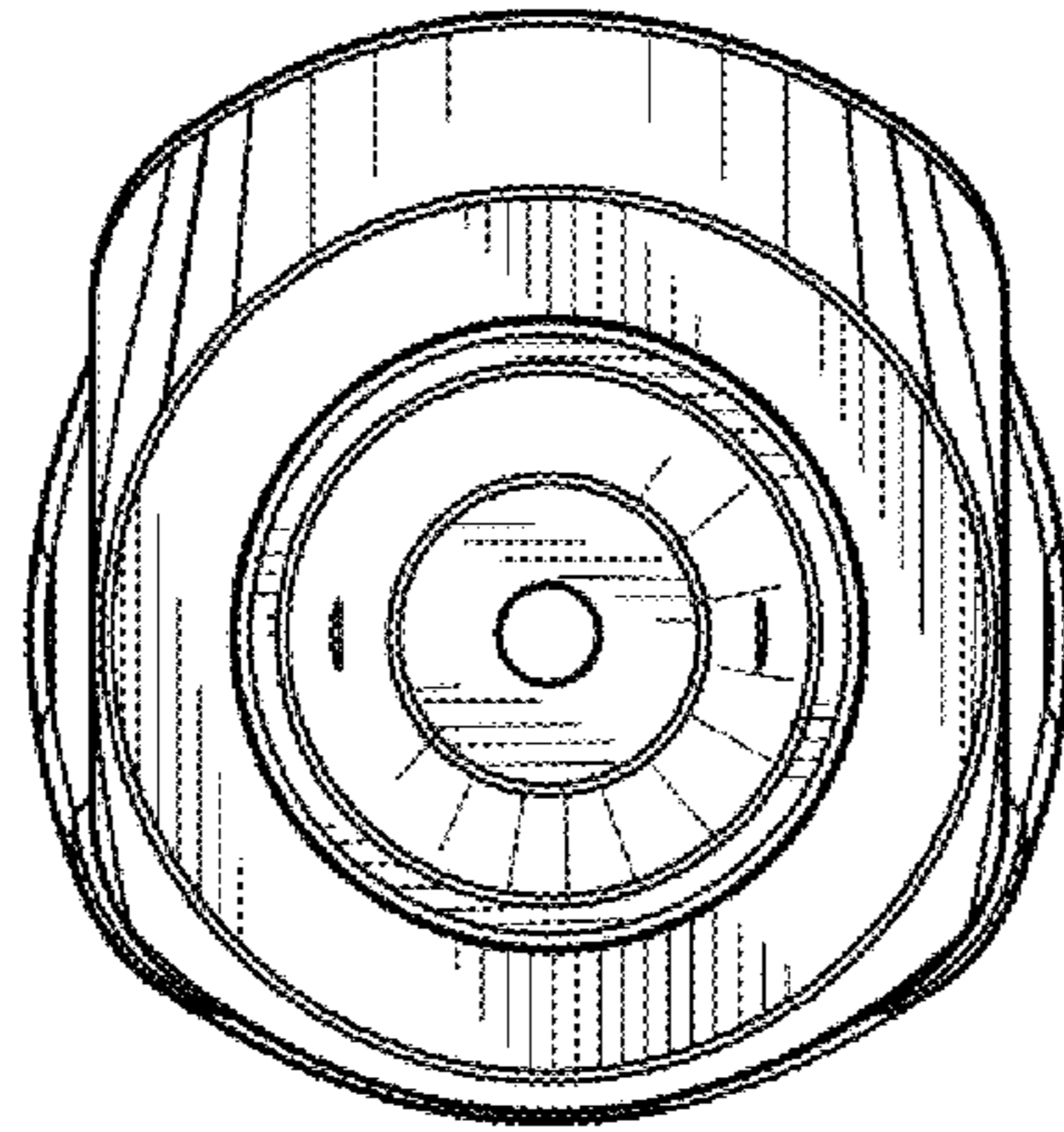


FIG. 7

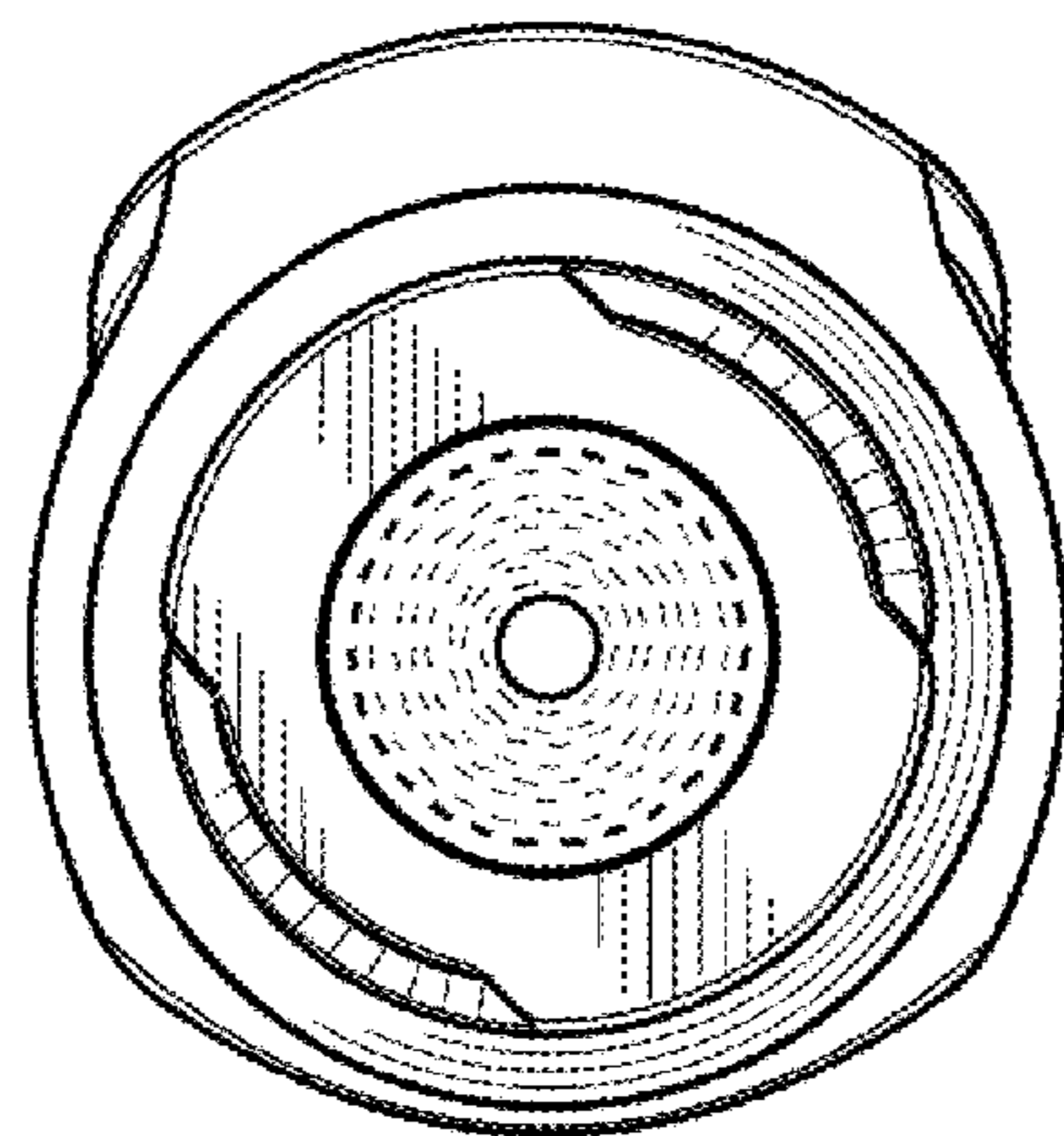


FIG. 8