



US00D675315S

(12) **United States Design Patent**  
**Moody et al.**

(10) **Patent No.:** **US D675,315 S**  
(45) **Date of Patent:** **\*\* Jan. 29, 2013**

(54) **PRESSURE REGULATOR**

(75) Inventors: **Paul Moody**, Auckland (NZ); **Bronwyn Nicola Cotter**, Auckland (NZ); **Neil Prime**, Auckland (NZ); **Glenn Whyte**, Auckland (NZ); **Matthew Jon Payton**, Auckland (NZ)

(73) Assignee: **Fisher & Paykel Healthcare Limited**, Auckland (NZ)

(\*\*) Term: **14 Years**

(21) Appl. No.: **29/415,435**

(22) Filed: **Mar. 9, 2012**

**Related U.S. Application Data**

(60) Continuation of application No. 29/357,932, filed on Mar. 19, 2010, now Pat. No. Des. 657,864, which is a division of application No. 10/357,753, filed on Feb. 4, 2003.

(51) **LOC (9) Cl.** ..... **29-02**

(52) **U.S. Cl.** ..... **D24/110.6**

(58) **Field of Classification Search** ..... D24/110.6,  
D24/129; D23/233–235;  
128/201.28, 202.27–202.29, 230.11, 204.18–205.26;  
137/272–308

See application file for complete search history.

(56) **References Cited**

**U.S. PATENT DOCUMENTS**

1,162,416 A	11/1915	Teter	
1,632,449 A	6/1927	McKesson	
2,099,841 A	11/1937	Connell	
3,152,604 A	10/1964	Frey et al.	
3,799,185 A	3/1974	Milnes et al.	
D273,320 S *	4/1984	Mattingly et al.	D23/263
4,603,833 A	8/1986	Christianson	
4,655,213 A	4/1987	Rapoport et al.	
D311,788 S	10/1990	Trinkwalder	
5,109,840 A *	5/1992	Daleiden	128/205.13
5,207,220 A	5/1993	Long	
5,279,289 A *	1/1994	Kirk	128/205.23
D355,030 S	1/1995	Baldwin	

5,437,272 A	8/1995	Fuhrman	
5,664,597 A *	9/1997	Miskiewicz	137/296
5,735,271 A	4/1998	Lorenzen et al.	
5,762,063 A	6/1998	Coates et al.	
5,839,436 A	11/1998	Fangrow et al.	
6,006,748 A	12/1999	Hillis	
6,058,933 A	5/2000	Good et al.	
6,067,984 A *	5/2000	Piper	128/205.24
D428,114 S	7/2000	Le Bars	
6,086,529 A *	7/2000	Arndt	128/207.14
D429,300 S	8/2000	Cleveland et al.	
D449,107 S	10/2001	Madsen et al.	
6,427,687 B1 *	8/2002	Kirk	128/203.11
6,453,940 B1	9/2002	Tipton et al.	
6,629,530 B2 *	10/2003	Cise	128/205.24
6,634,378 B2	10/2003	Semeia	
6,886,561 B2 *	5/2005	Bayron et al.	128/205.24
6,959,709 B2	11/2005	Curran et al.	
6,997,206 B1	2/2006	Klockseth et al.	
2003/0000529 A1	1/2003	Kay	
2003/0062040 A1	4/2003	Lurie et al.	
2004/0089302 A1	5/2004	Foss	
2004/0094157 A1	5/2004	Dantanarayana et al.	

(Continued)

**FOREIGN PATENT DOCUMENTS**

FR	1580403	9/1969
FR	2709066	2/1995

(Continued)

*Primary Examiner* — Richard E Chilcot

(74) *Attorney, Agent, or Firm* — Knobbe, Martens, Olson & Bear, LLP

(57)

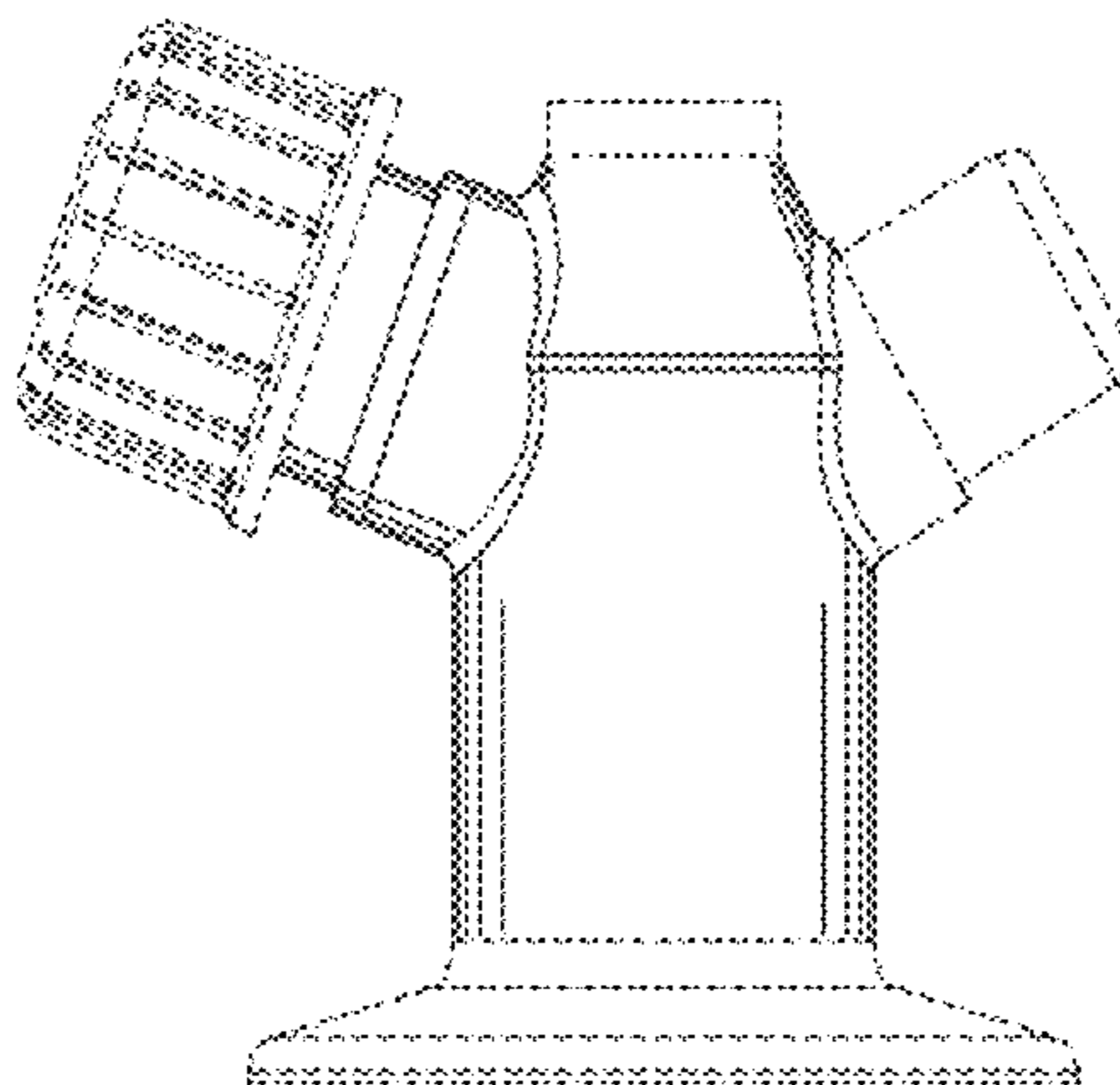
**CLAIM**

The ornamental design for a pressure regulator, as shown and described.

**DESCRIPTION**

FIG. 1 is a perspective view of a pressure regulator; FIG. 2 is a right side elevational view of the pressure regulator; FIG. 3 is a left side elevational view of the pressure regulator; FIG. 4 is a front elevational view of the pressure regulator; FIG. 5 is a bottom plan view of the pressure regulator; FIG. 6 is a top plan view of the pressure regulator; and, FIG. 7 is a rear elevational view of the pressure regulator. The broken lines in the drawings show environmental structures that form no part of the claimed design.

**1 Claim, 4 Drawing Sheets**



# US D675,315 S

Page 2

---

## U.S. PATENT DOCUMENTS

2004/0149286 A1 8/2004 Haston  
2005/0000517 A1 1/2005 Eriksson et al.  
2006/0090759 A1 5/2006 Howes et al.  
2006/0185674 A1 8/2006 Hollis

## FOREIGN PATENT DOCUMENTS

GB 2222778 3/1990  
WO WO 0022985 4/2000

\* cited by examiner

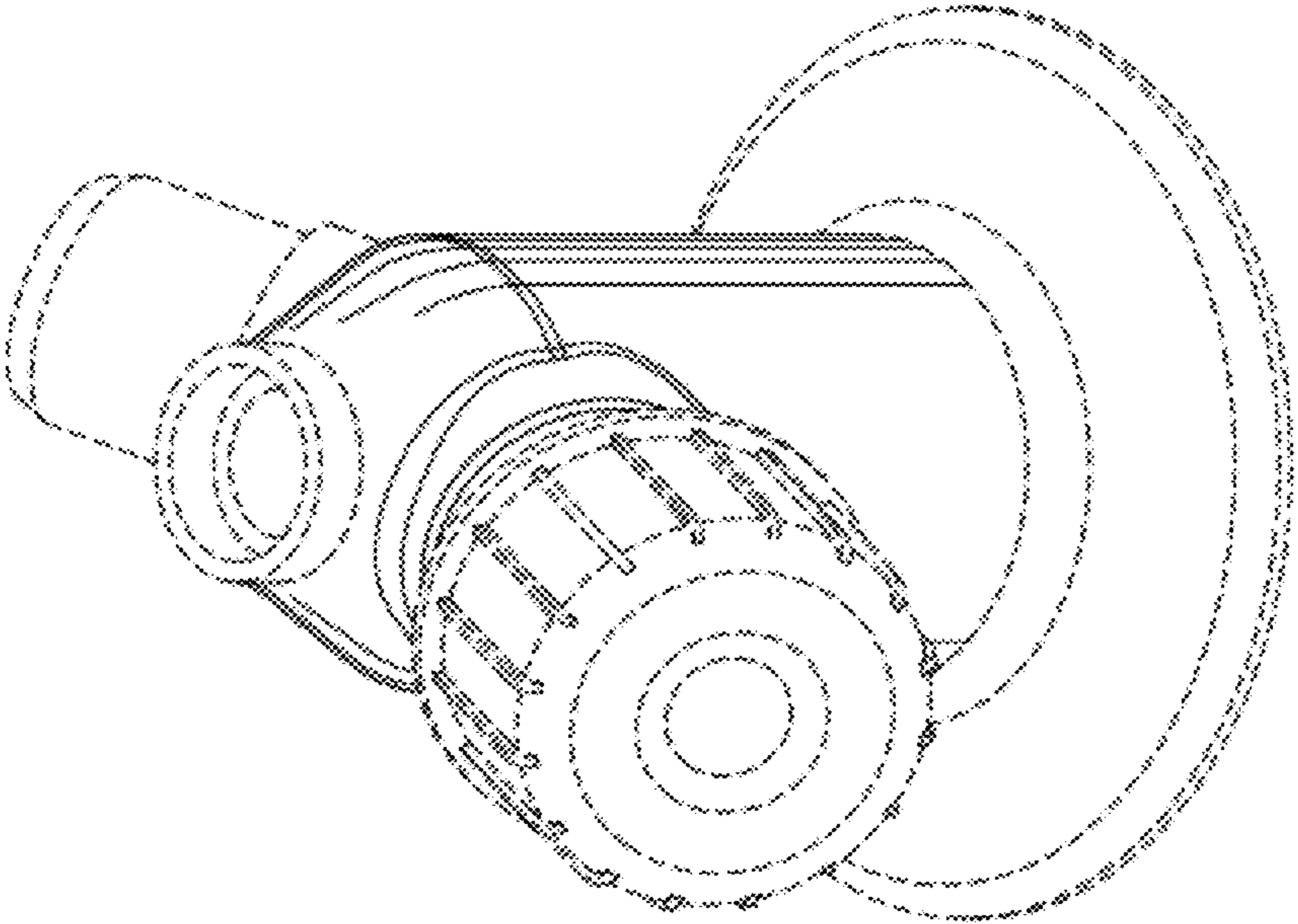


FIG. 1

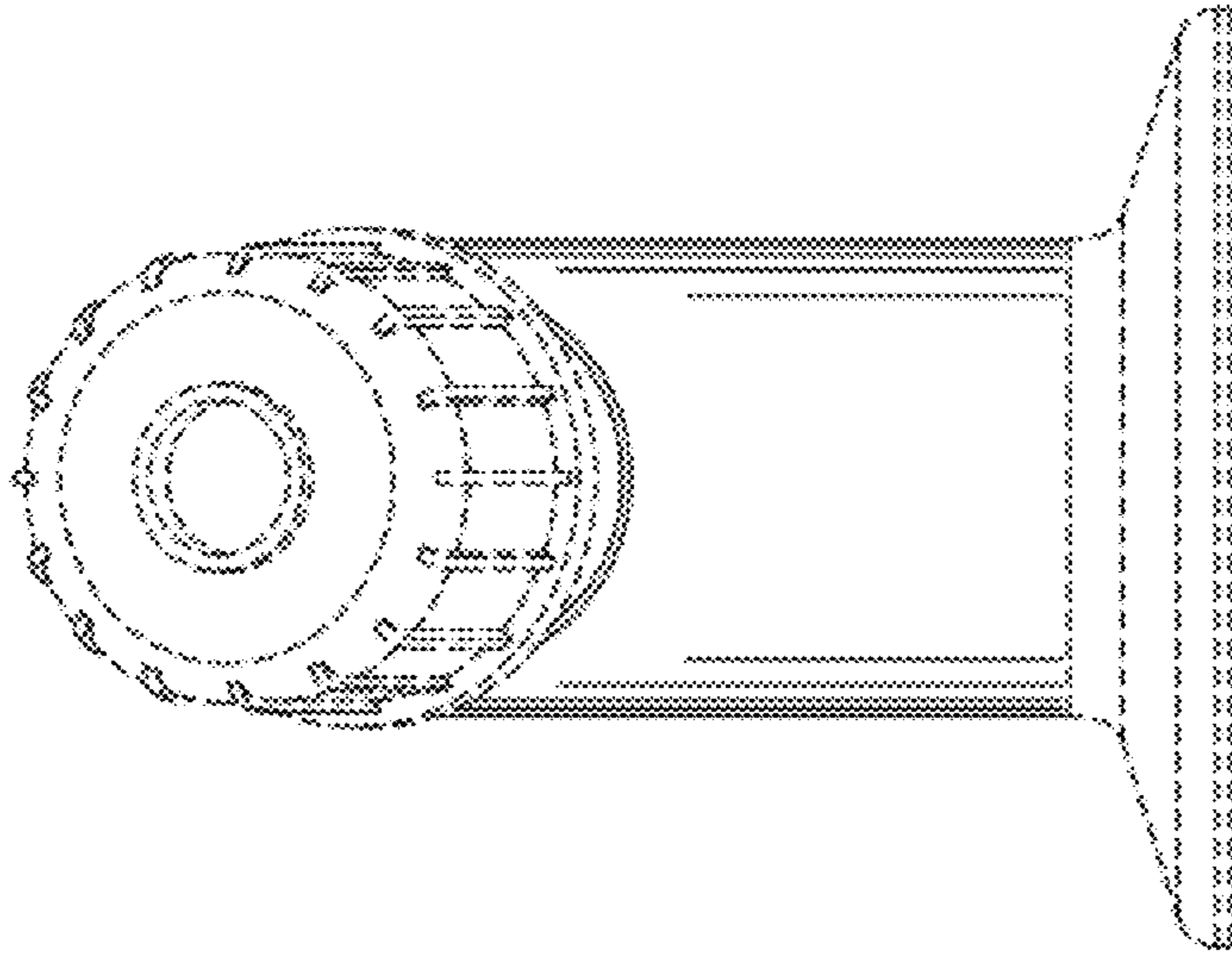


FIG. 3

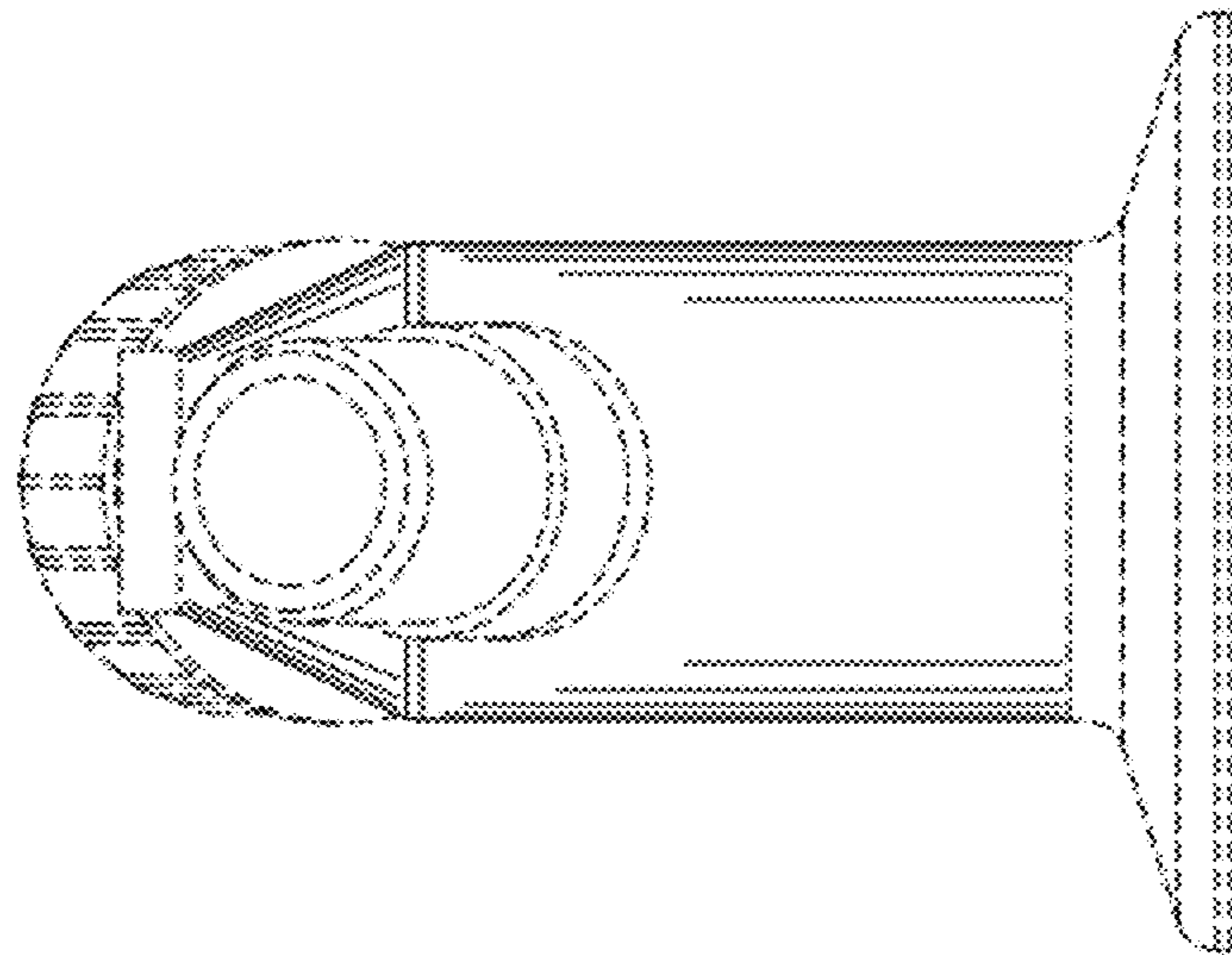


FIG. 2

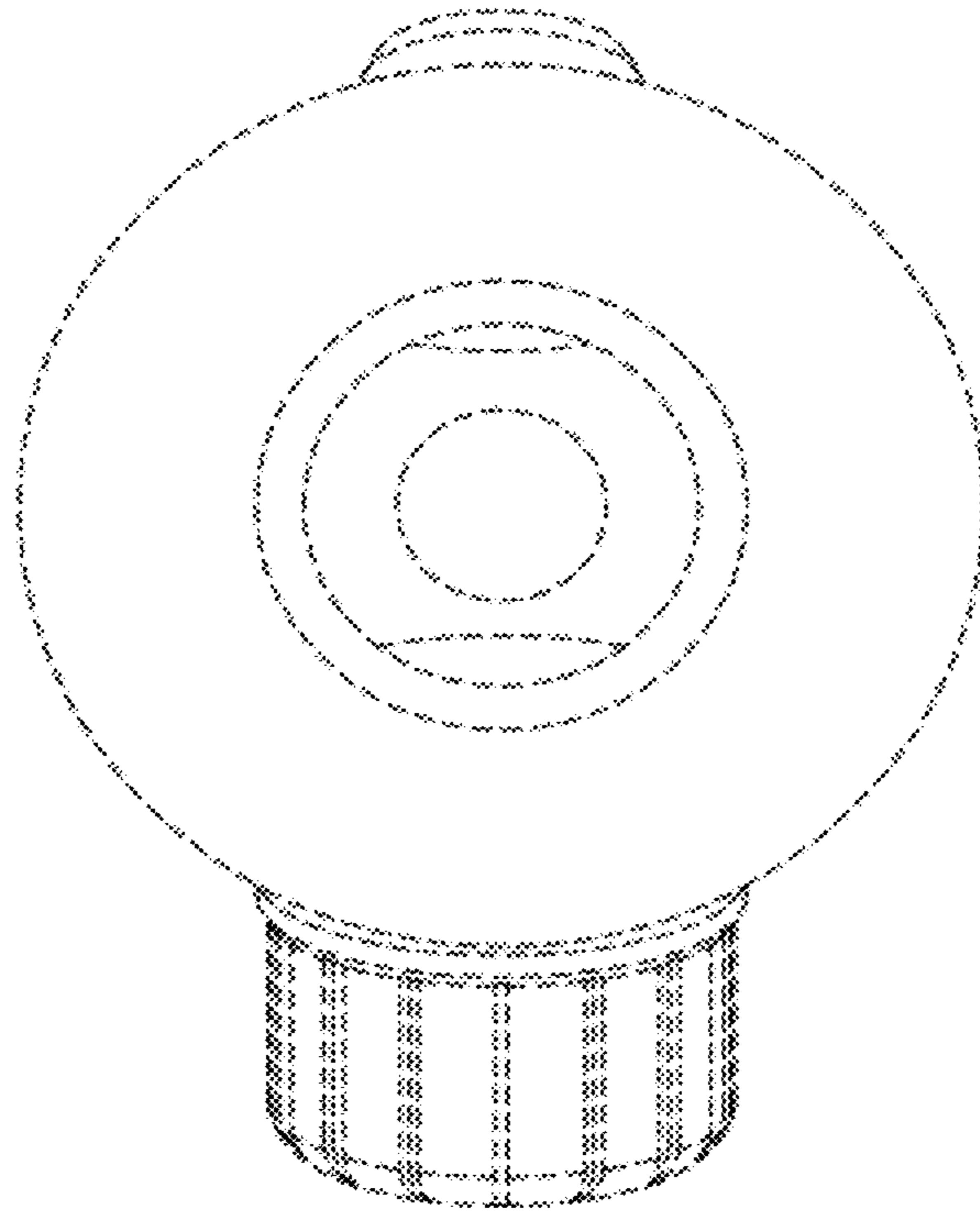


FIG. 5

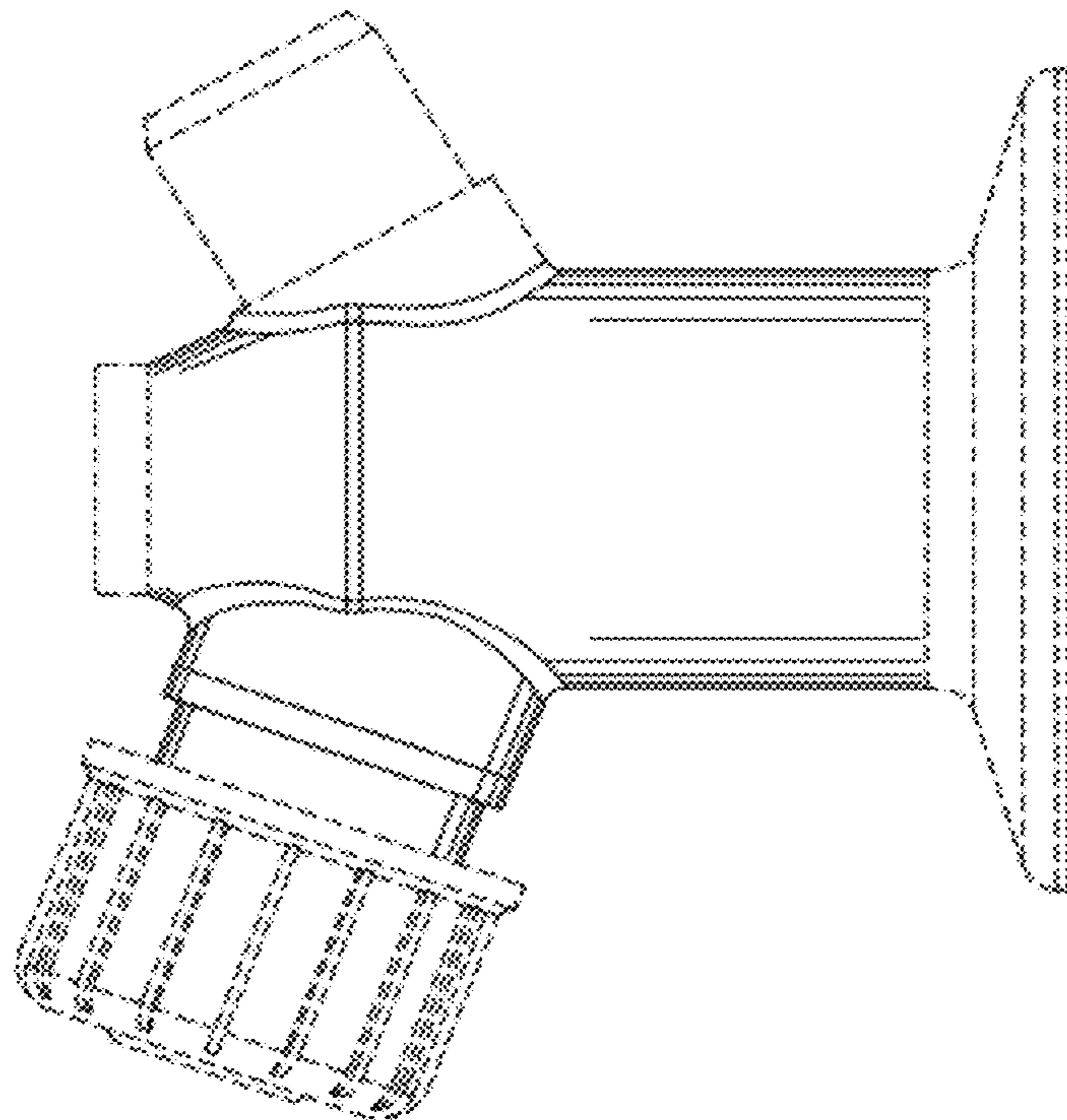


FIG. 4

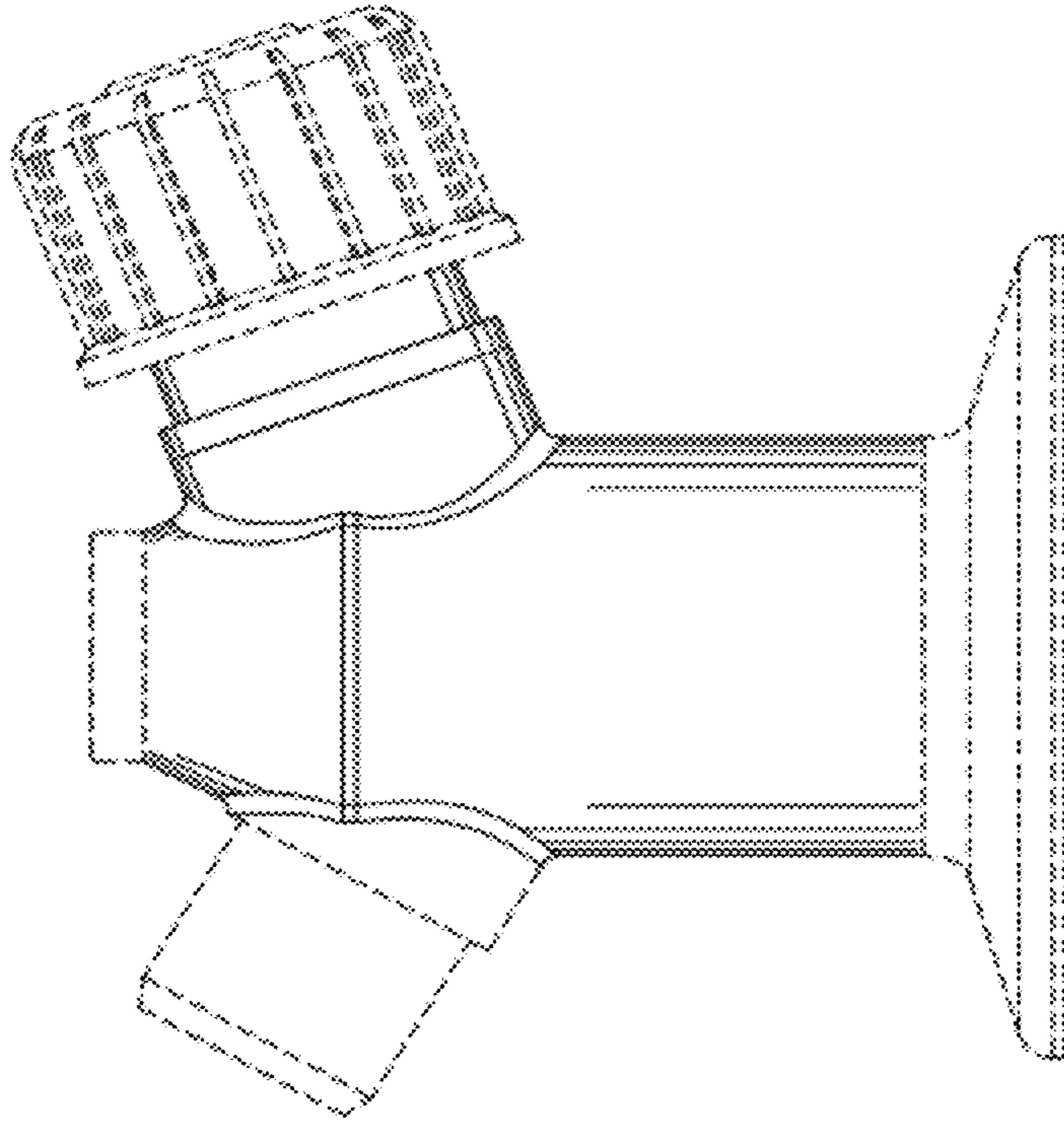


FIG. 7

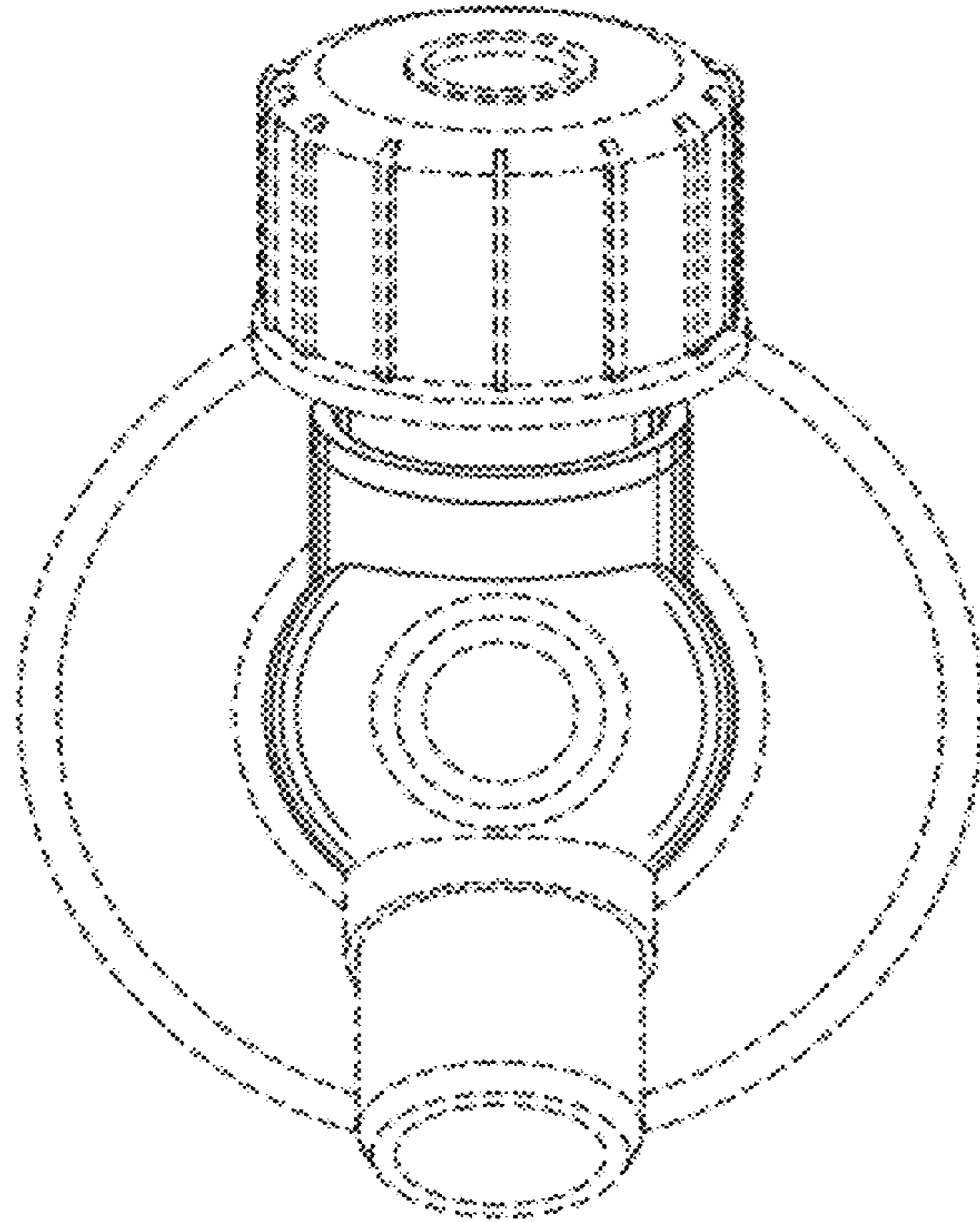


FIG. 6

UNITED STATES PATENT AND TRADEMARK OFFICE  
**CERTIFICATE OF CORRECTION**

PATENT NO. : D675,315 S  
APPLICATION NO. : 29/415435  
DATED : January 29, 2013  
INVENTOR(S) : Moody et al.

Page 1 of 1

It is certified that error appears in the above-identified patent and that said Letters Patent is hereby corrected as shown below:

In column 2 (Title Page 1, In The Description) at lines 8-10, Delete “The broken lines.....claimed design.” and insert the same on Col. 2, Line 9 as a new paragraph.

Signed and Sealed this  
Twentieth Day of August, 2013



Teresa Stanek Rea  
*Acting Director of the United States Patent and Trademark Office*