



US00D675312S

(12) **United States Design Patent**  
**Zhu et al.**

(10) **Patent No.:** **US D675,312 S**

(45) **Date of Patent:** **\*\* Jan. 29, 2013**

- (54) **CLIP WITH BALL JOINT MOUNT**
- (76) Inventors: **Wen Ge Zhu**, Shenzhen (CN); **Scot Herbst**, San Jose, CA (US)
- (\*\*) Term: **14 Years**
- (21) Appl. No.: **29/395,574**
- (22) Filed: **Feb. 22, 2012**
- (51) **LOC (9) Cl.** ..... **23-04**
- (52) **U.S. Cl.** ..... **D23/411; D23/370; D8/395**
- (58) **Field of Classification Search** ..... D8/395;  
D19/65, 86; D23/332, 335-337, 341, 355,  
D23/370, 378, 381, 382, 386, 411, 412; 34/90;  
248/75, 231.51, 284.1; 416/110, 206, 240,  
416/244 R, 246, 247 R; 454/143; 24/499,  
24/507

See application file for complete search history.

(56) **References Cited**

**U.S. PATENT DOCUMENTS**

2,537,703	A *	1/1951	Randa	.....	248/75
4,175,306	A *	11/1979	Bigelow et al.	.....	24/507
4,799,858	A *	1/1989	Shin-Chin	.....	416/110
4,850,804	A *	7/1989	Huang	.....	416/246
5,547,343	A *	8/1996	Jane et al.	.....	416/246
5,725,356	A *	3/1998	Carter	.....	416/240
D429,327	S *	8/2000	Brewer	.....	D23/411
6,842,951	B1 *	1/2005	Barre et al.	.....	24/499
6,886,270	B2 *	5/2005	Gilmer	.....	34/90
6,935,944	B2 *	8/2005	Bigelow, Jr.	.....	454/143
D542,402	S *	5/2007	Abell	.....	D23/382
D598,278	S *	8/2009	Herman	.....	D8/395

\* cited by examiner

*Primary Examiner* — Janice Seeger  
*Assistant Examiner* — Martie K Holtje  
 (74) *Attorney, Agent, or Firm* — Knechtel, Demeur & Samlan

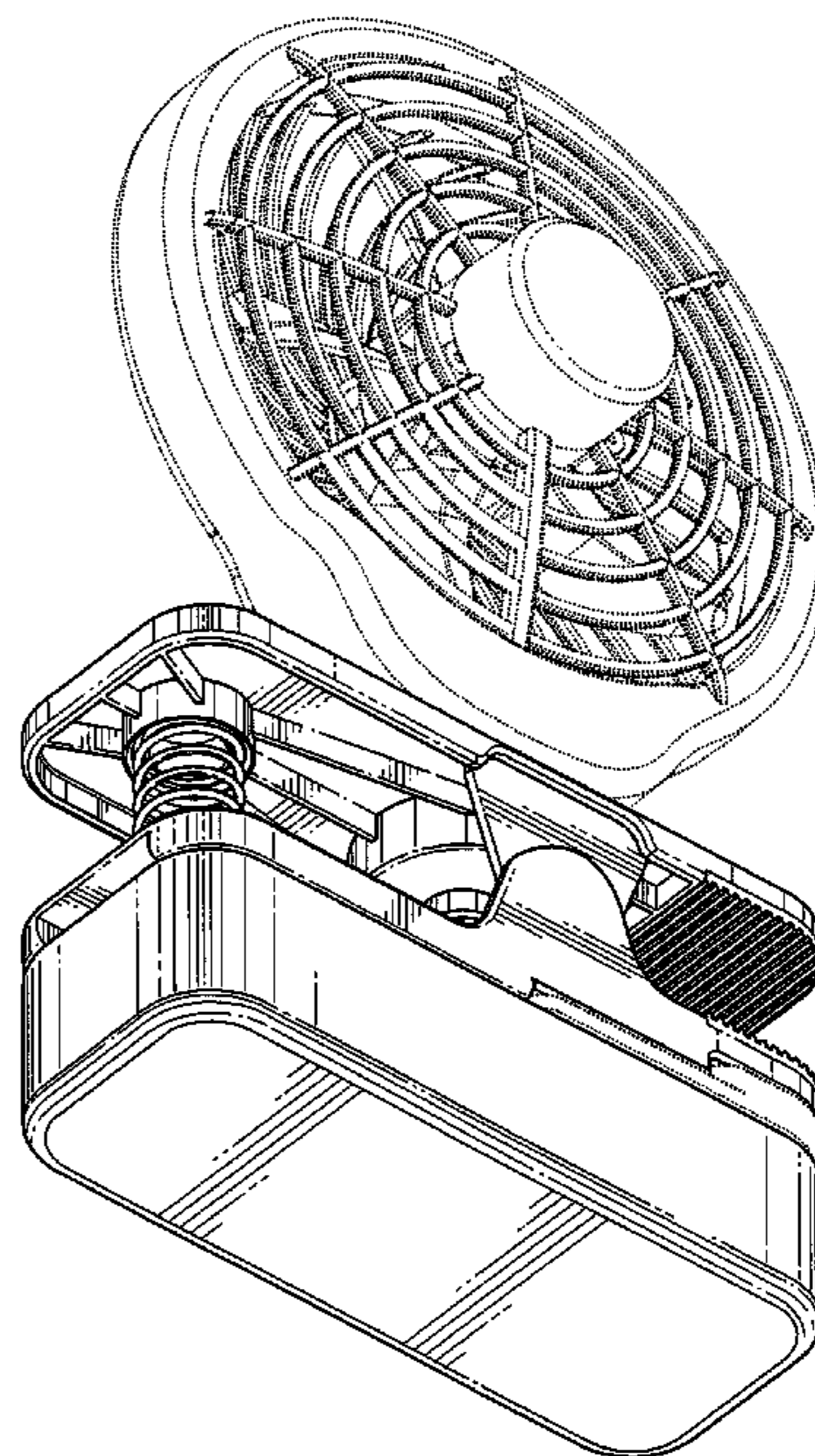
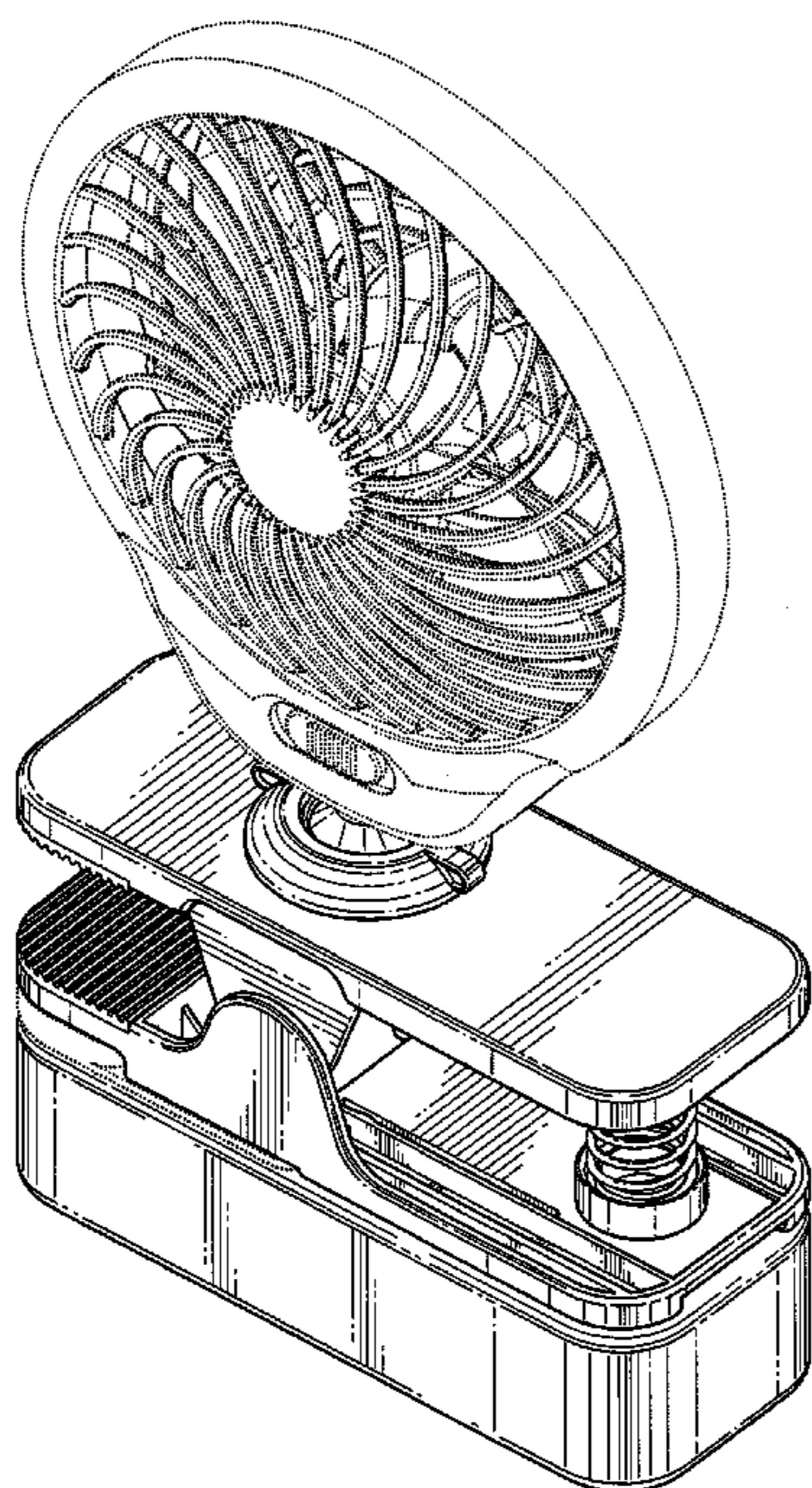
(57) **CLAIM**

We claim the ornamental design for a clip with ball joint mount, as shown and described.

**DESCRIPTION**

FIG. 1 is a front perspective view of the clip with ball joint mount;  
 FIG. 2 is a rear perspective view of the clip with ball joint mount;  
 FIG. 3 is a front elevational view of the clip with ball joint mount;  
 FIG. 4 is a rear elevational view of the clip with ball joint mount;  
 FIG. 5 is a side elevational view of the clip with ball joint mount;  
 FIG. 6 is a side elevational view of the opposed side of the clip with ball joint mount;  
 FIG. 7 is a top plan view of the clip with ball joint mount; and,  
 FIG. 8 is a bottom plan view of the clip with ball joint mount.  
 The broken line showing of the fan element and the portion at the left center of the clip with ball joint mount are included for the purpose of illustrating environmental structure and form no part of the claimed design.

**1 Claim, 7 Drawing Sheets**



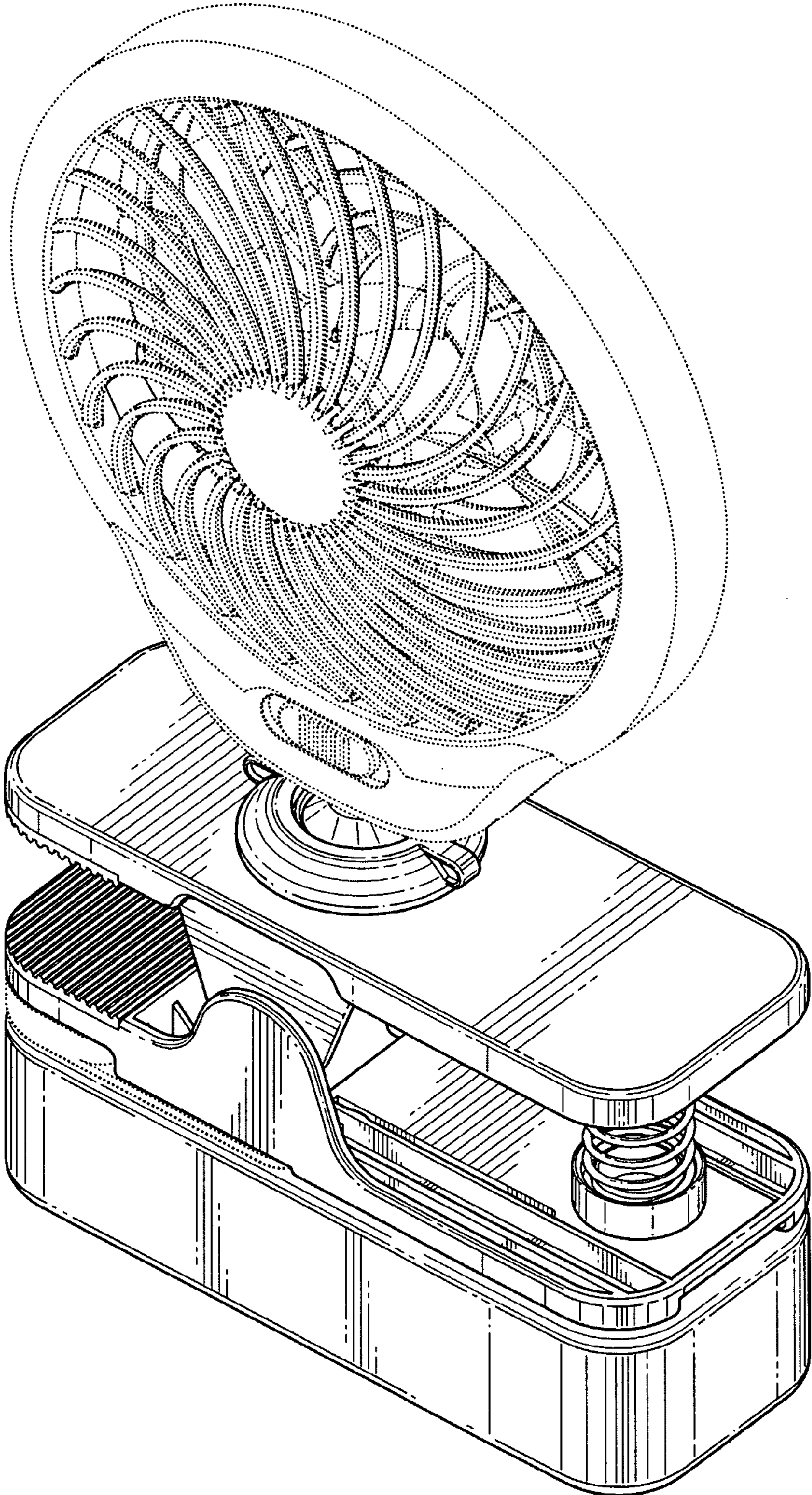
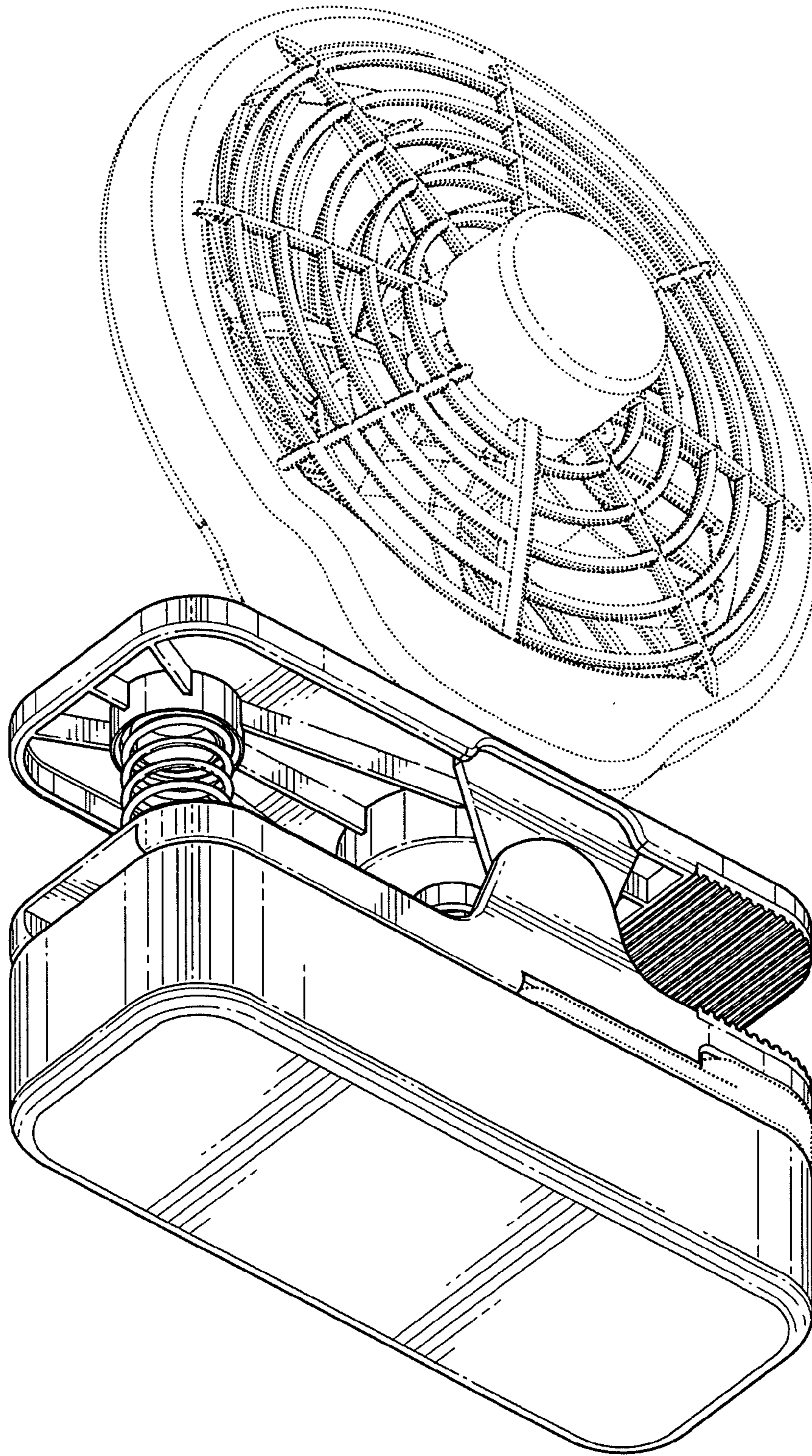
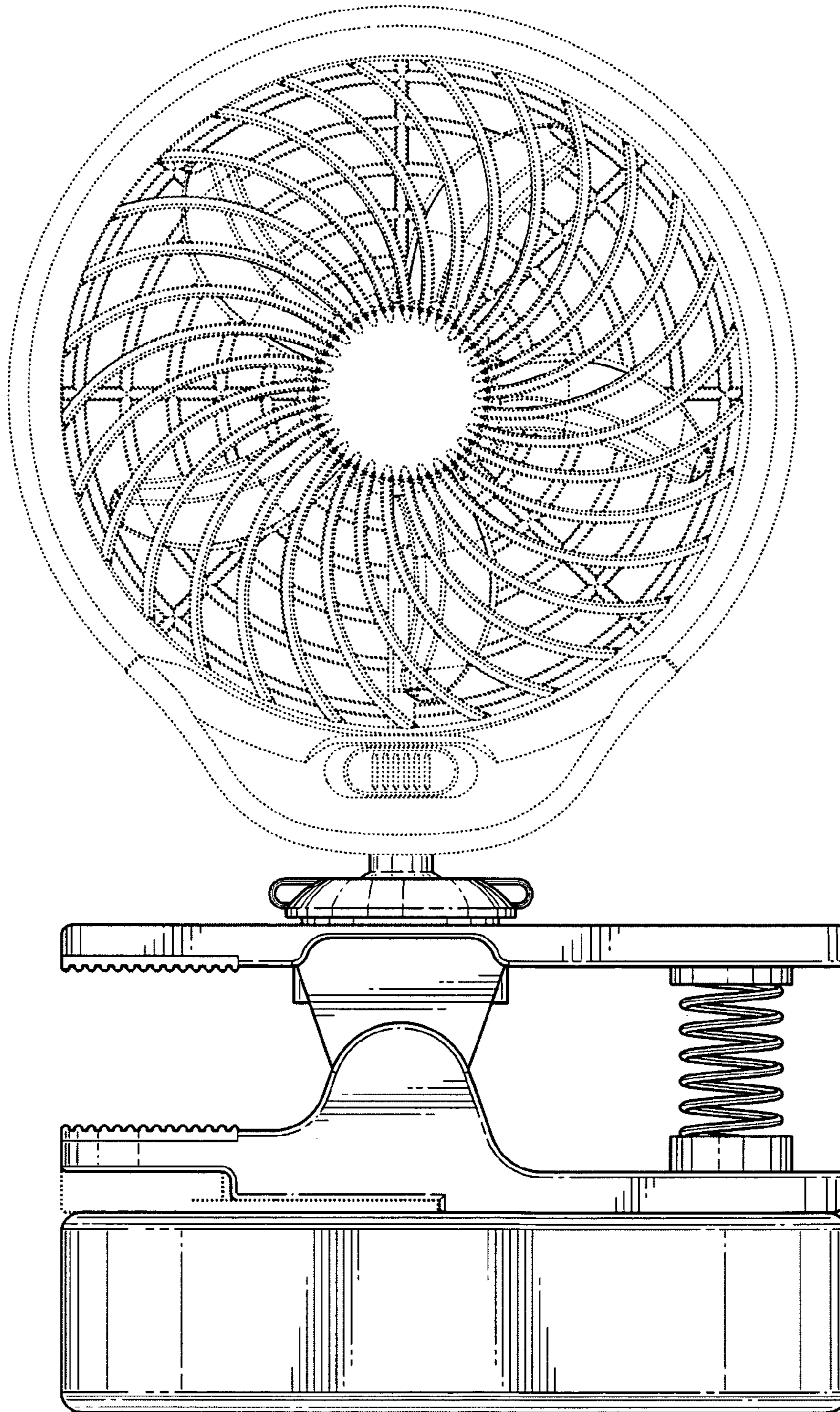


FIG. 1



**FIG. 2**



**FIG. 3**

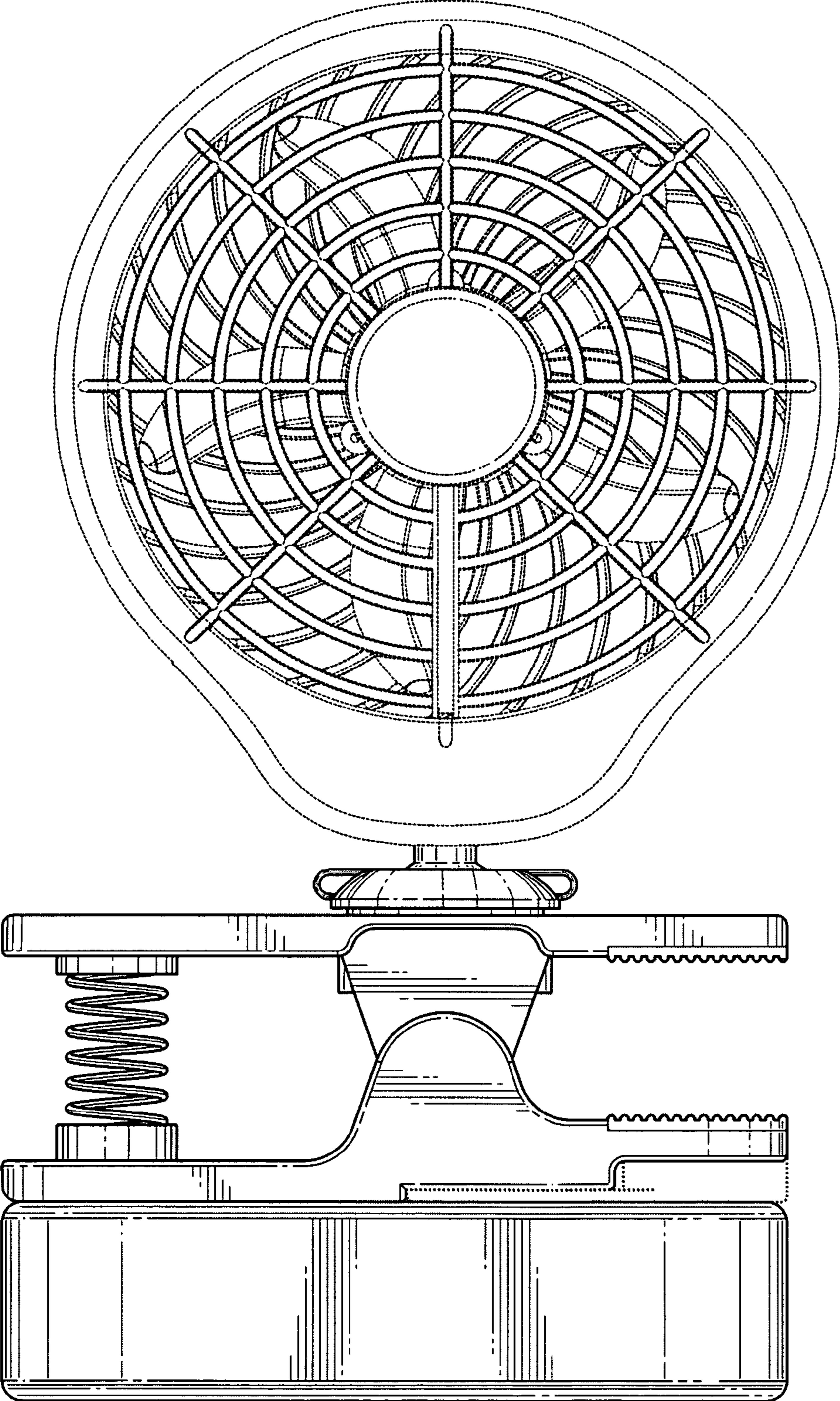


FIG. 4

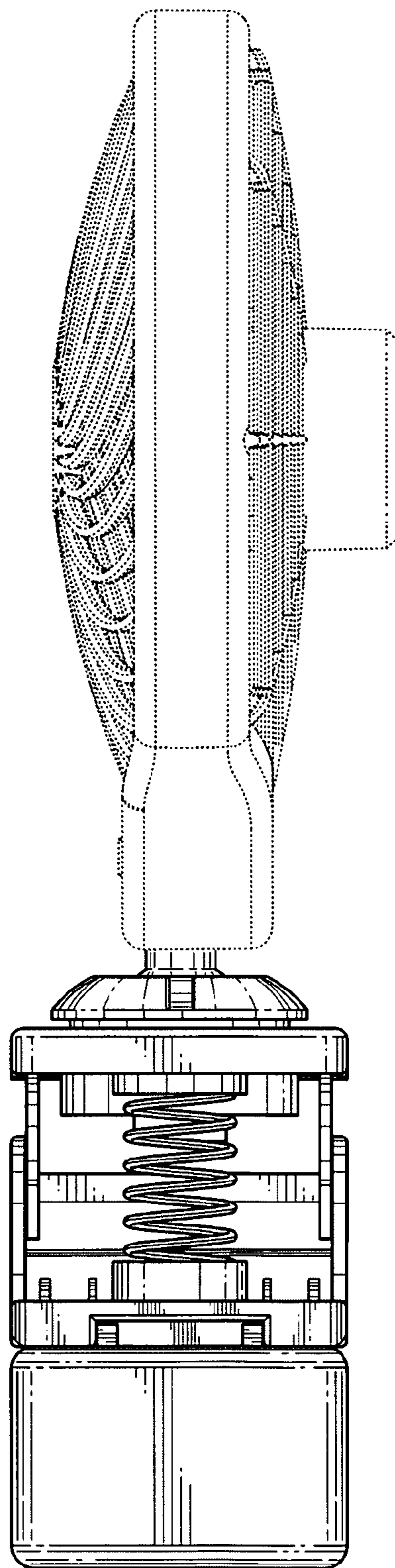


FIG. 5

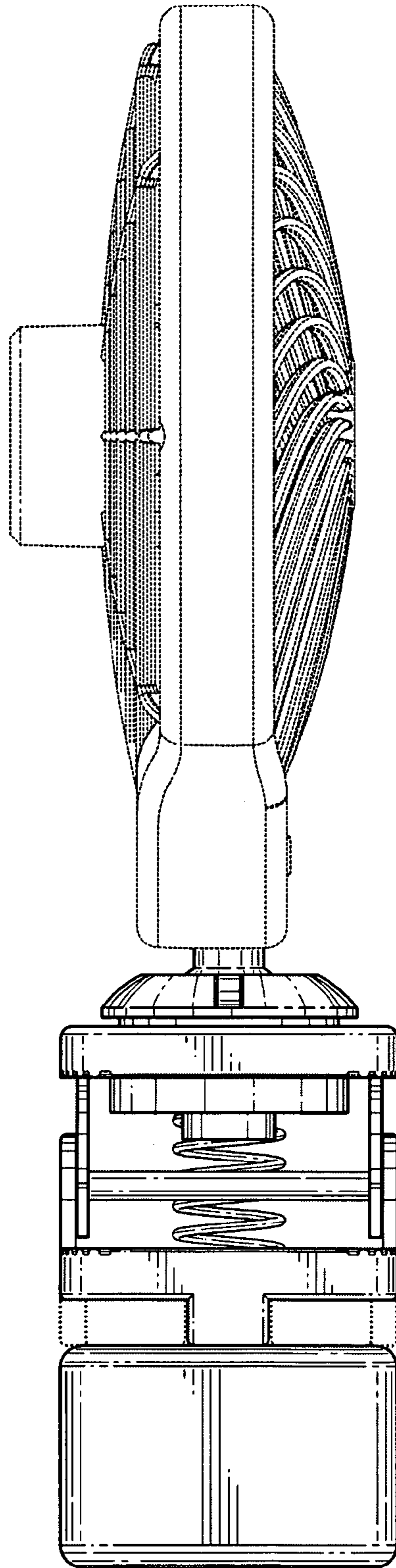
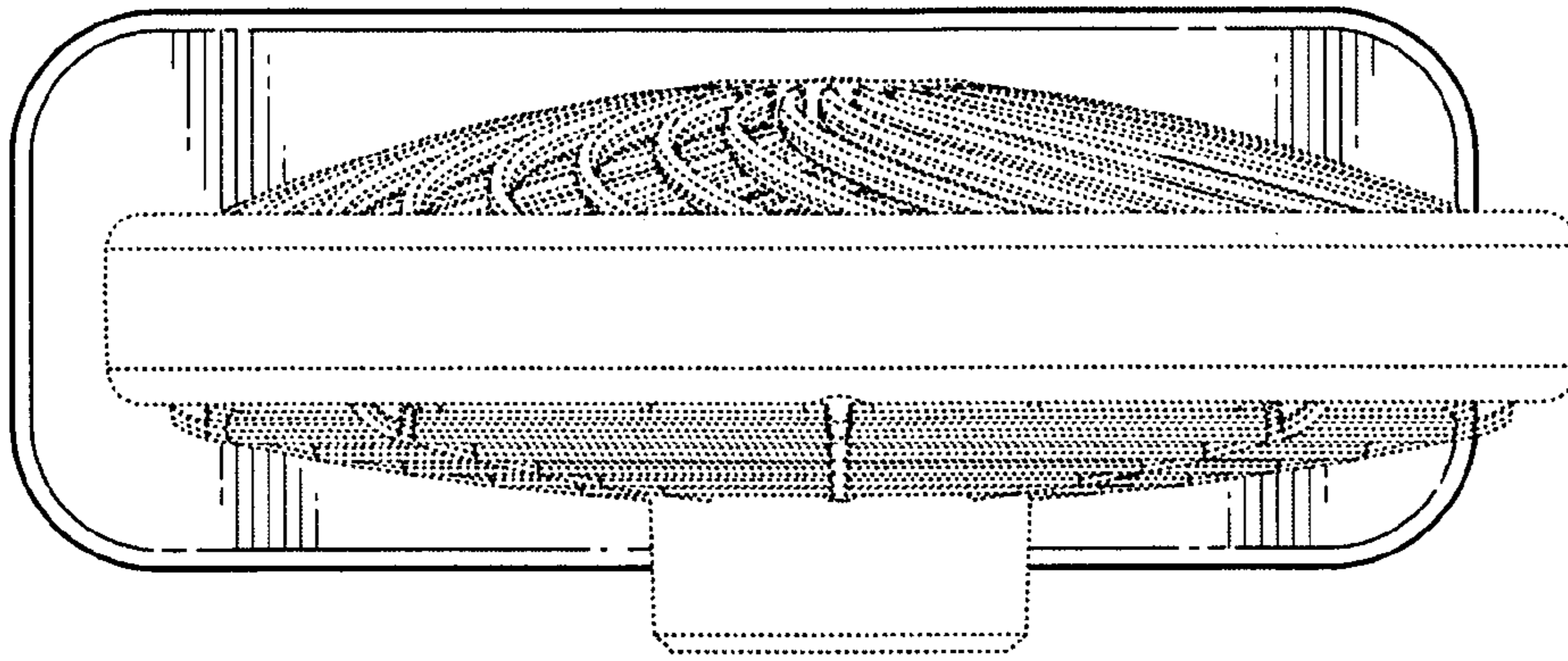
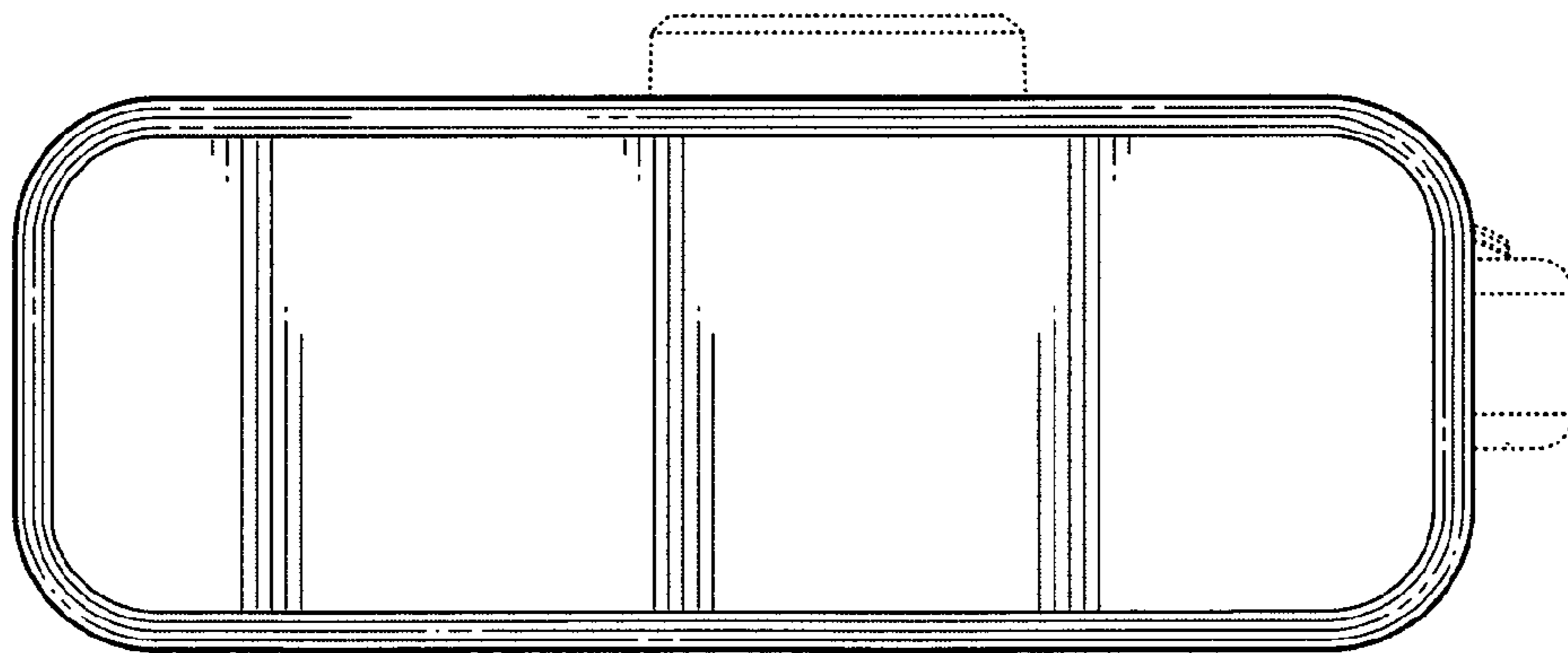


FIG. 6



**FIG. 7**



**FIG. 8**