



US00D675311S

(12) **United States Design Patent**
Hadi

(10) **Patent No.:** **US D675,311 S**
(45) **Date of Patent:** **** Jan. 29, 2013**

- (54) **FIREPLACE**
- (76) Inventor: **Mohammed Hadi**, Fort Myers, FL (US)
- (**) Term: **14 Years**
- (21) Appl. No.: **29/422,240**
- (22) Filed: **May 17, 2012**
- (51) **LOC (9) Cl.** **23-03**
- (52) **U.S. Cl.** **D23/404**
- (58) **Field of Classification Search** D23/403–405,
D23/415–419, 499, 343, 345, 349; D7/407;
52/36.3; 126/500, 547; 160/DIG. 9; 431/127,
431/129, 191, 258, 326, 354
See application file for complete search history.

D30,402 S *	3/1899	Nichols	D23/404
657,239 A *	9/1900	Harlow	52/126.4
D36,984 S *	6/1904	Broadbent	D23/404
1,171,717 A *	2/1916	Haddox	52/36.3
1,889,103 A *	11/1932	Naftal et al.	312/201
D647,609 S *	10/2011	Hadi	D23/404

* cited by examiner

Primary Examiner — Karen S Acker

(56) **References Cited**

U.S. PATENT DOCUMENTS

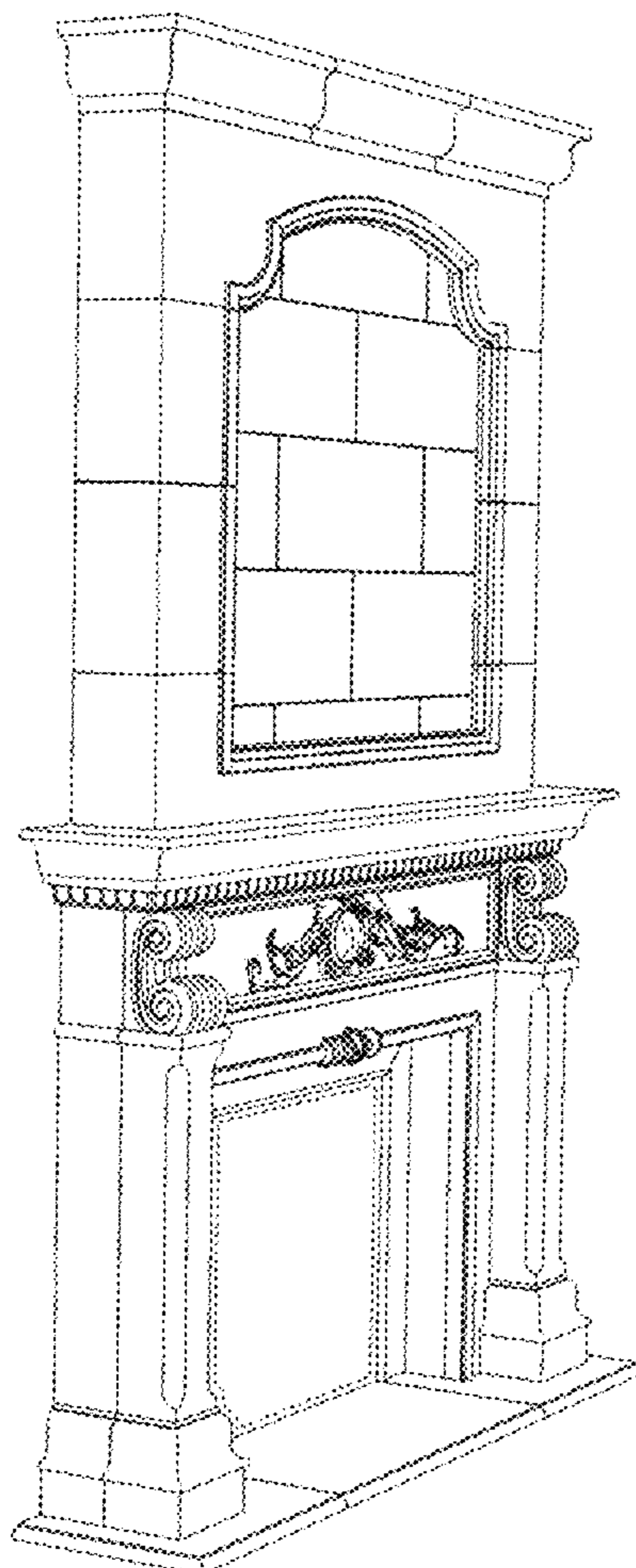
D24,209 S *	4/1895	Hoort	D23/345
D24,280 S *	5/1895	Hoort	D23/345
D24,281 S *	5/1895	Hoort	D23/345
D24,282 S *	5/1895	Hoort	D23/345
D24,283 S *	5/1895	Hoort	D23/345
595,052 A *	12/1897	Fair	52/36.3

(57) **CLAIM**
The ornamental design for a fireplace, as shown and described.

DESCRIPTION

FIG. 1 is a front perspective view of fireplace showing my new and original design;
 FIG. 2 is a front elevation view thereof;
 FIG. 3 is a top view thereof;
 FIG. 4 is a right side elevation view thereof; and,
 FIG. 5 is a left side elevation view thereof.
 The broken lines in the drawing represent unclaimed portions of the fireplace. The rear, bottom and top of the design form no part of the claimed design.

1 Claim, 3 Drawing Sheets



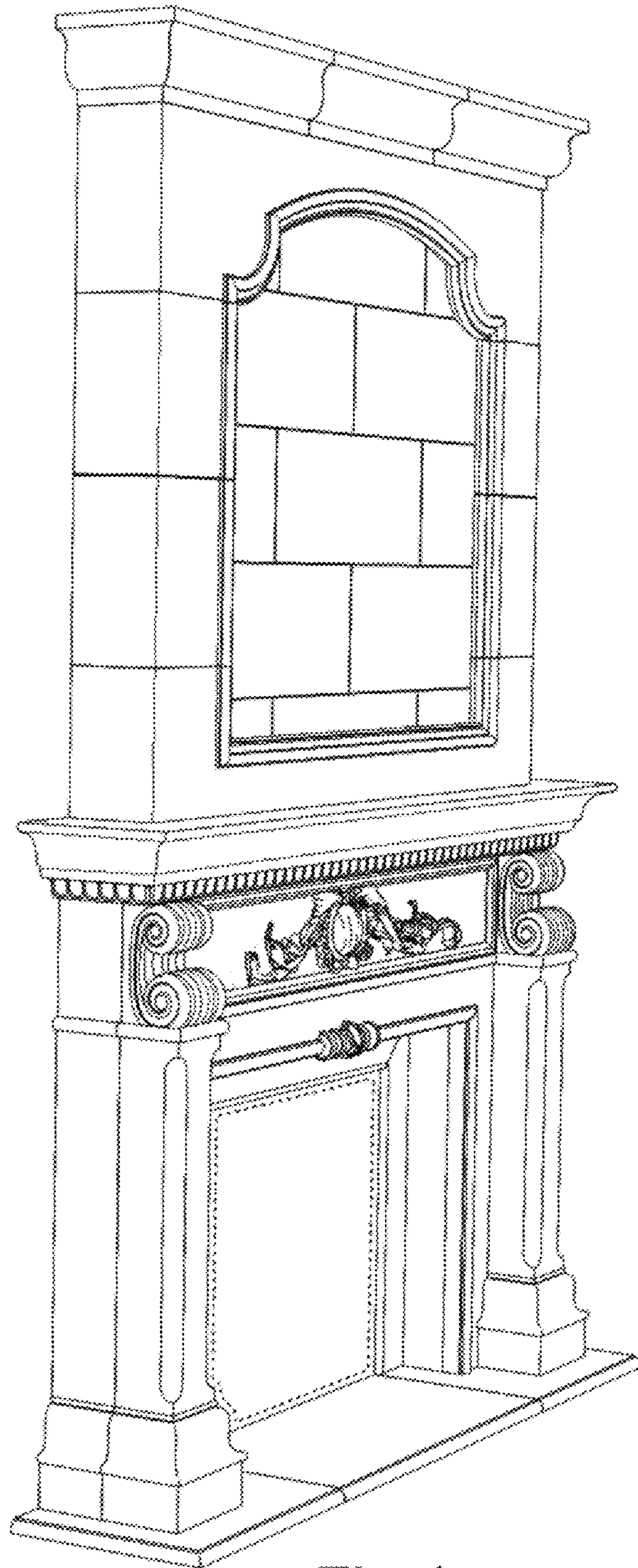


Fig. 1

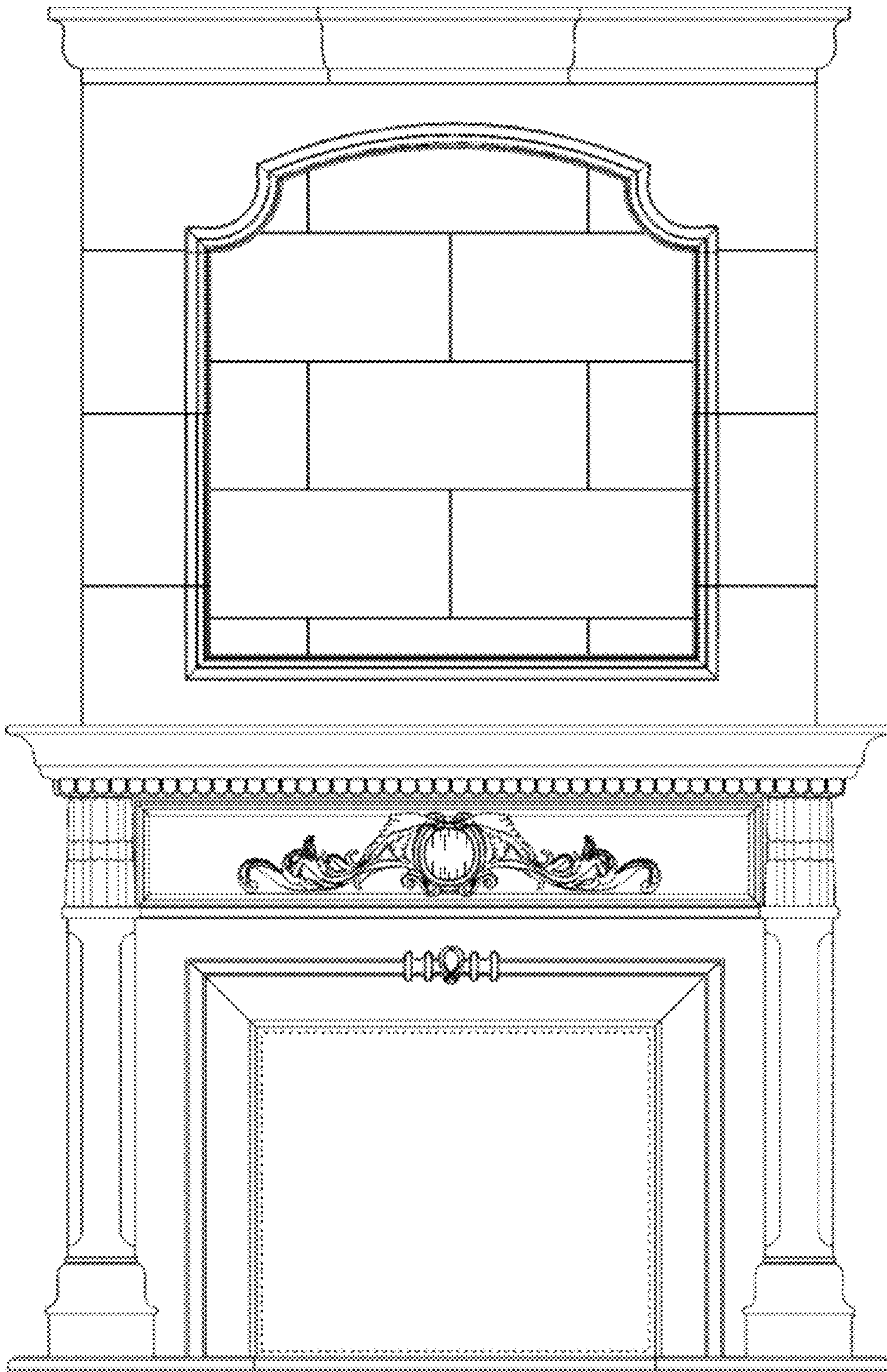


Fig.2

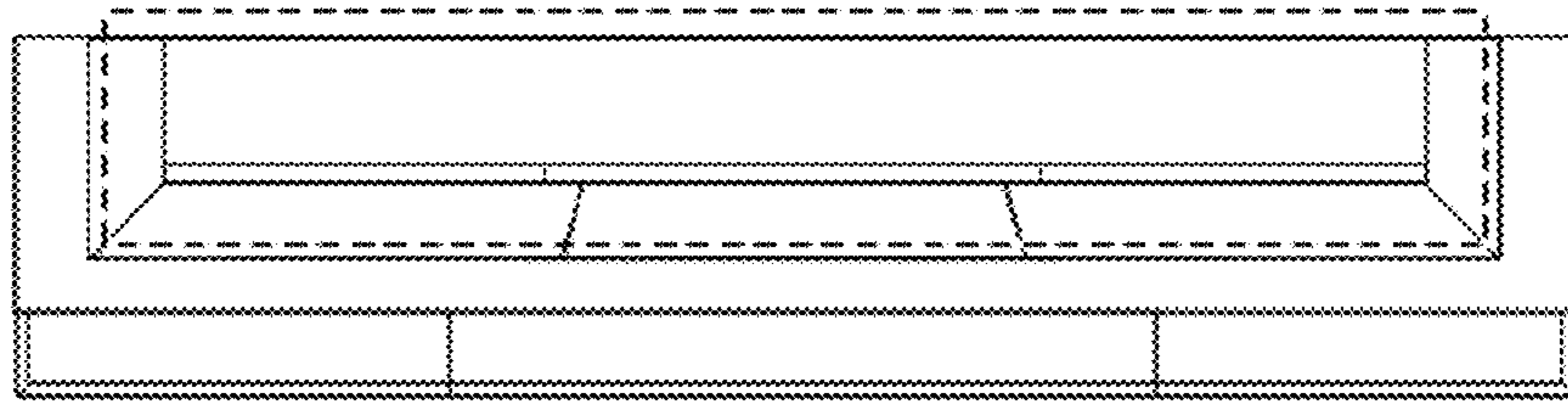


Fig.3

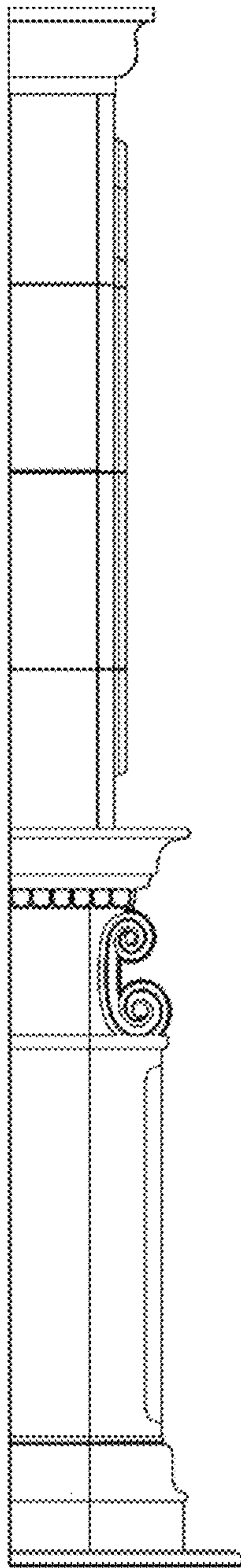


Fig.4

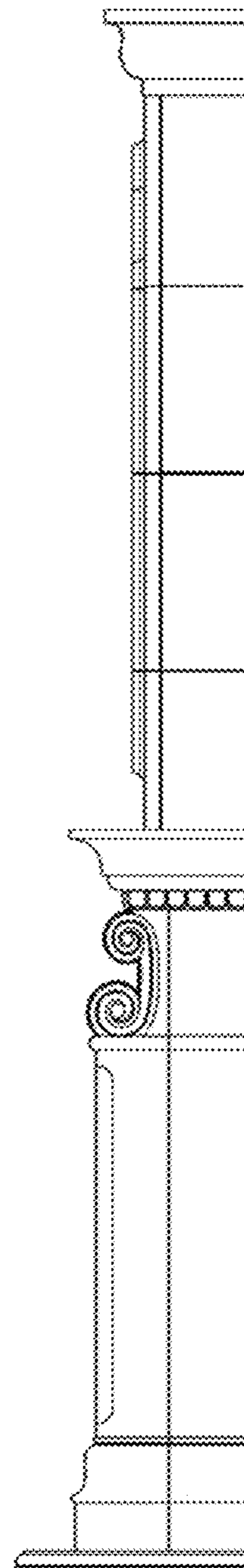


Fig.5