

US00D675306S

(12) **United States Design Patent**
Bartolucci et al.

(10) **Patent No.:** **US D675,306 S**
(45) **Date of Patent:** **** Jan. 29, 2013**

- (54) **AIR FRESHENING DEVICE**
- (75) Inventors: **Stefano Bartolucci**, London (GB);
Victor Ques Ramos, Kraainem (BE);
Ada Ho Yau Ko, Cincinnati, OH (US)
- (73) Assignee: **The Procter & Gamble Company**,
Cincinnati, OH (US)
- (**) Term: **14 Years**
- (21) Appl. No.: **29/418,551**
- (22) Filed: **Apr. 18, 2012**
- (51) **LOC (9) Cl.** **28-99**
- (52) **U.S. Cl.** **D23/366**
- (58) **Field of Classification Search** D23/355-369;
D28/5, 6; 261/DIG. 17, DIG. 42, DIG. 65,
261/DIG. 88, DIG. 89, DIG. 47, DIG. 55,
261/DIG. 70; 392/356, 390, 392, 394, 395;
239/34, 44, 53, 55, 56, 326, 60, 308
See application file for complete search history.

D485,340 S	1/2004	Wu	
D485,341 S	1/2004	Wu	
D491,256 S	6/2004	Fellows et al.	
6,773,679 B2	8/2004	Jaworski	
D507,636 S	7/2005	Baraky	
D510,423 S	10/2005	Caserta et al.	
D512,769 S	12/2005	Wefler	
D541,400 S	4/2007	Heijdenrijk	
D580,039 S *	11/2008	Zlotnik et al. D23/366
7,857,236 B2 *	12/2010	Zlotnik et al. 239/34
D647,187 S *	10/2011	Chan et al. D23/364

* cited by examiner

Primary Examiner — Sandra Snapp

(74) *Attorney, Agent, or Firm* — Amy I Ahn-Roll

(57) **CLAIM**

The ornamental design for an air freshening device, as shown and described.

DESCRIPTION

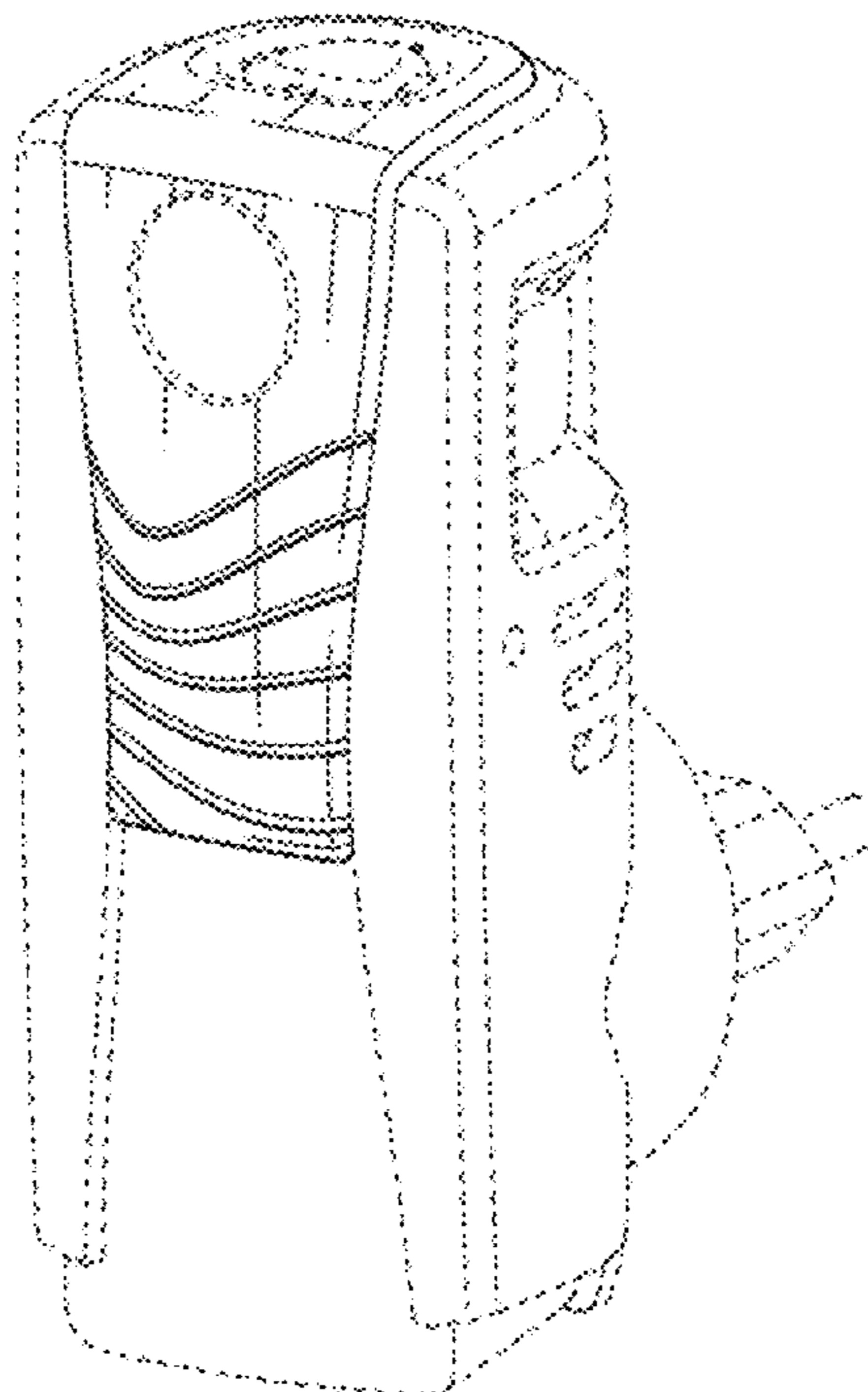
FIG. 1 is a perspective view of a first embodiment of an air freshening device, according to the present invention; FIG. 2 is a front view thereof; FIG. 3 is a right side view thereof; FIG. 4 is a rear view thereof; FIG. 5 is a left side view thereof; FIG. 6 is a top view thereof; and, FIG. 7 is a bottom view thereof. The broken lines shown in the drawings are for illustrative purposes only and form no part of the claimed design.

1 Claim, 4 Drawing Sheets

(56) **References Cited**

U.S. PATENT DOCUMENTS

6,053,483 A	4/2000	Chen
D432,222 S	10/2000	Rymer et al.
D452,955 S	1/2002	Bulsink
D461,885 S	8/2002	Jordi
D465,019 S	10/2002	Wu
D480,792 S	10/2003	Millan
D481,787 S	11/2003	Millan



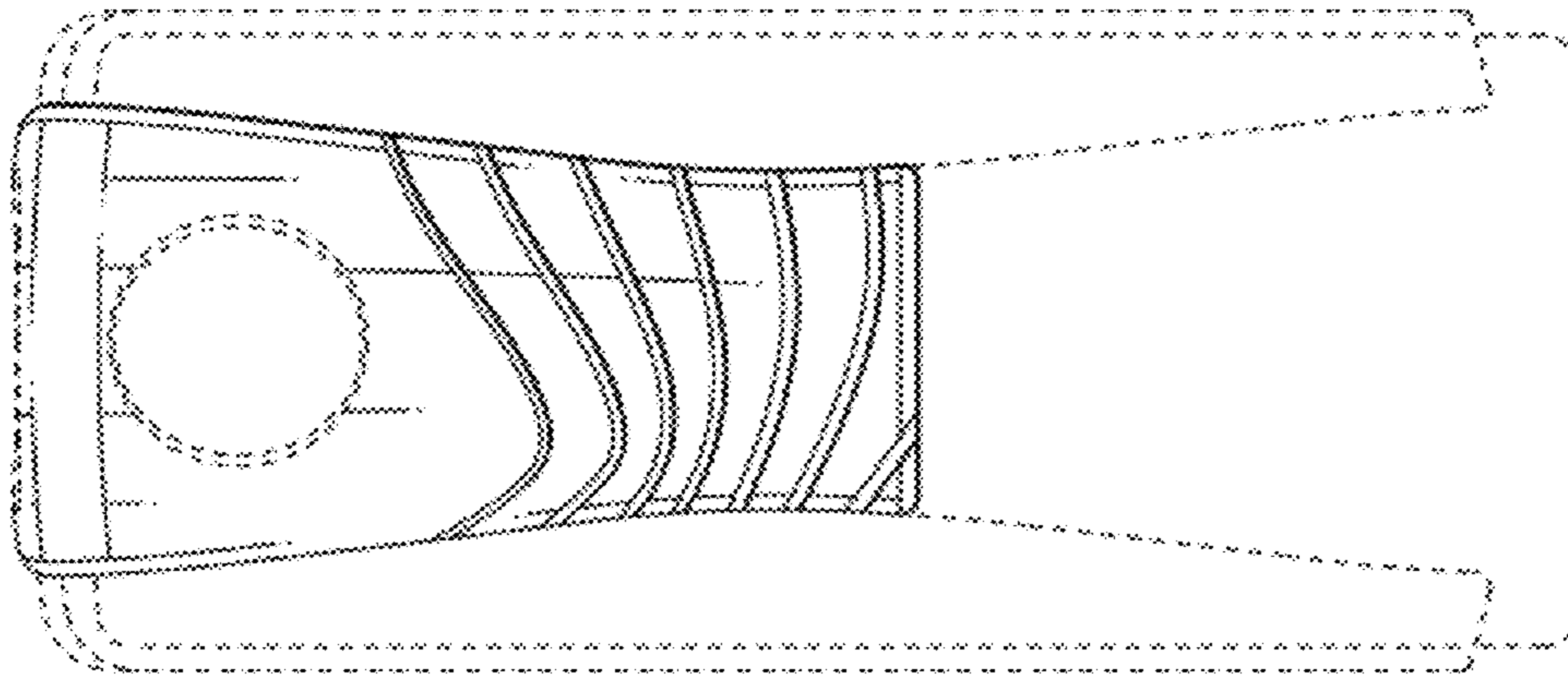


FIG. 2

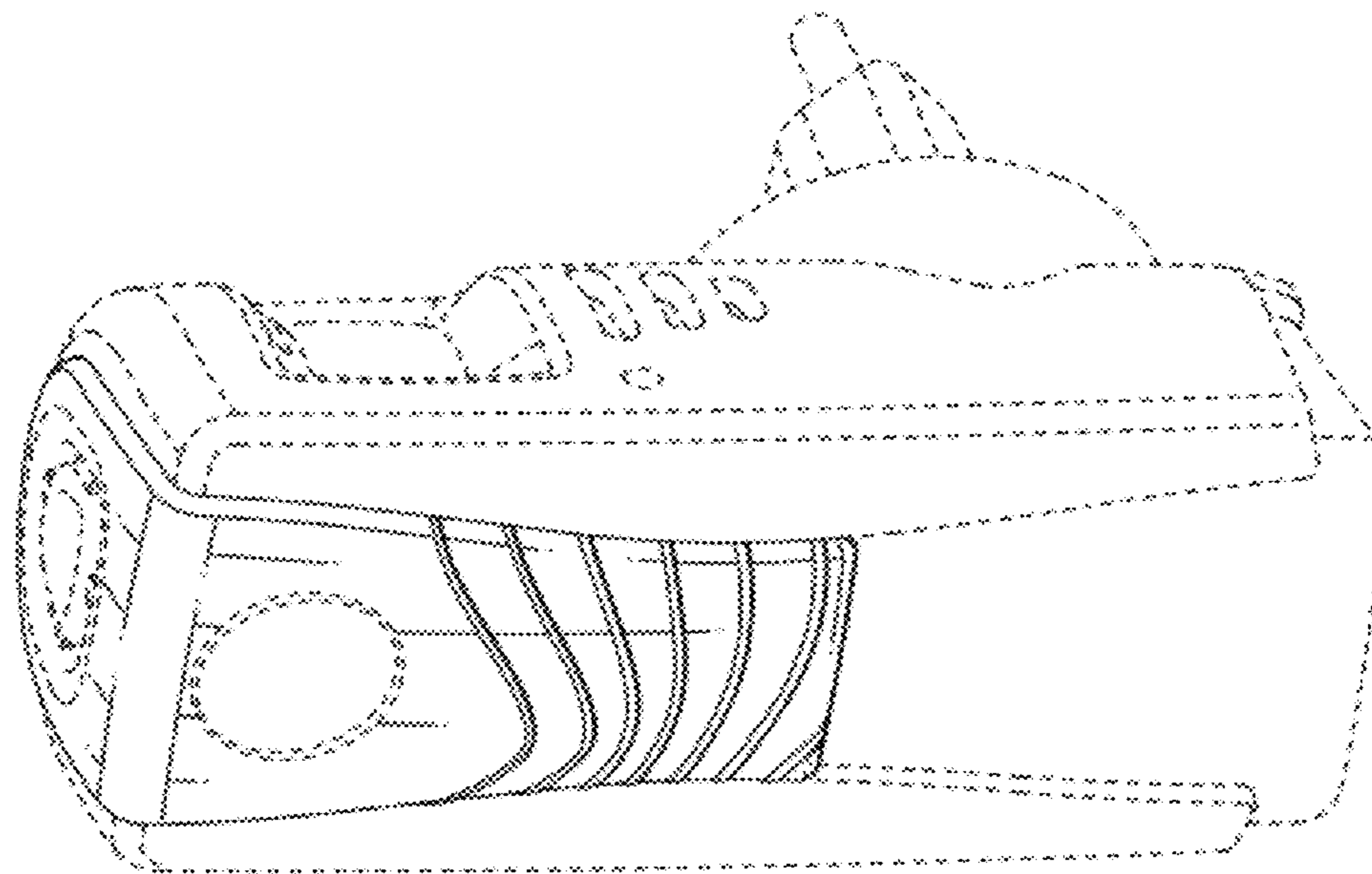


FIG. 1

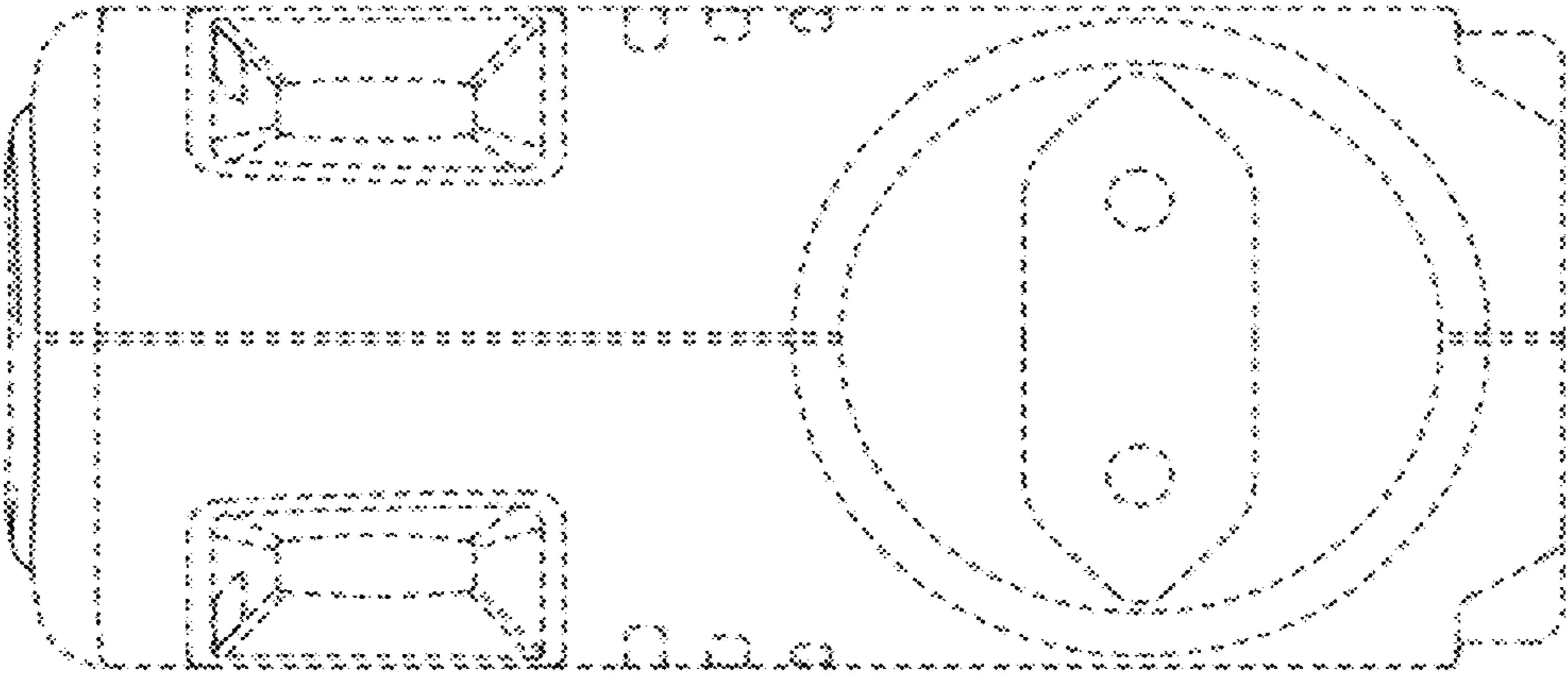


FIG. 4

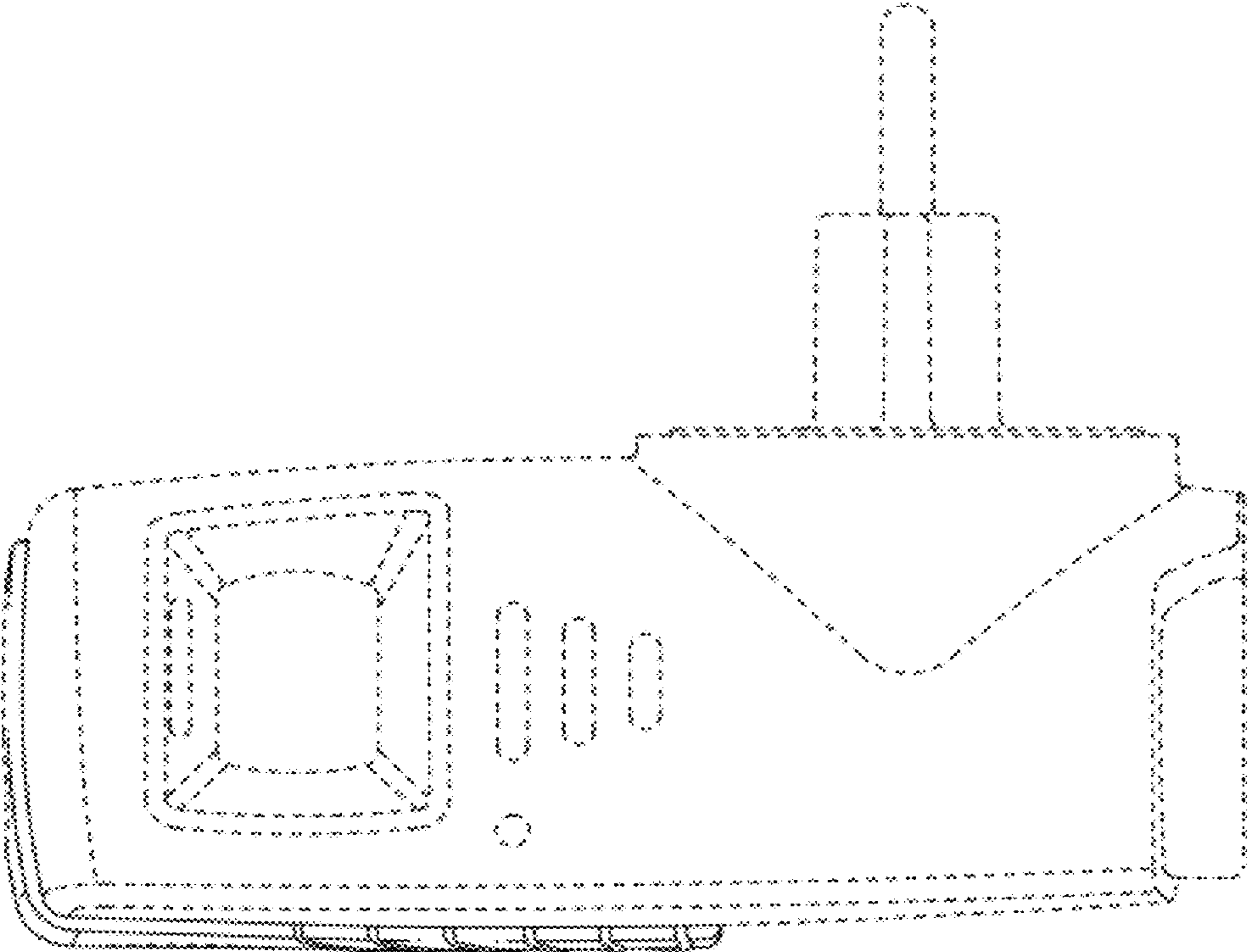


FIG. 3

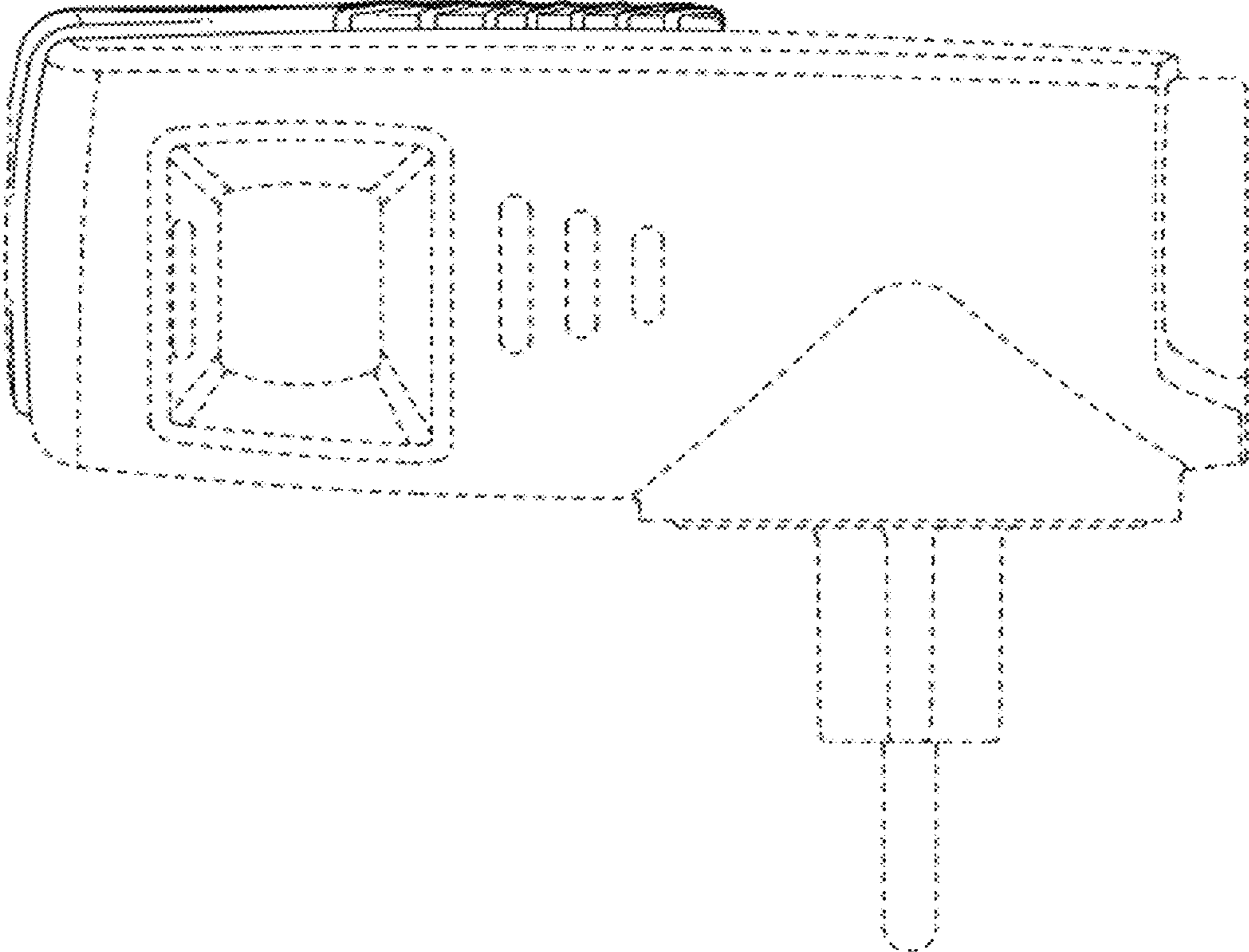


FIG. 5

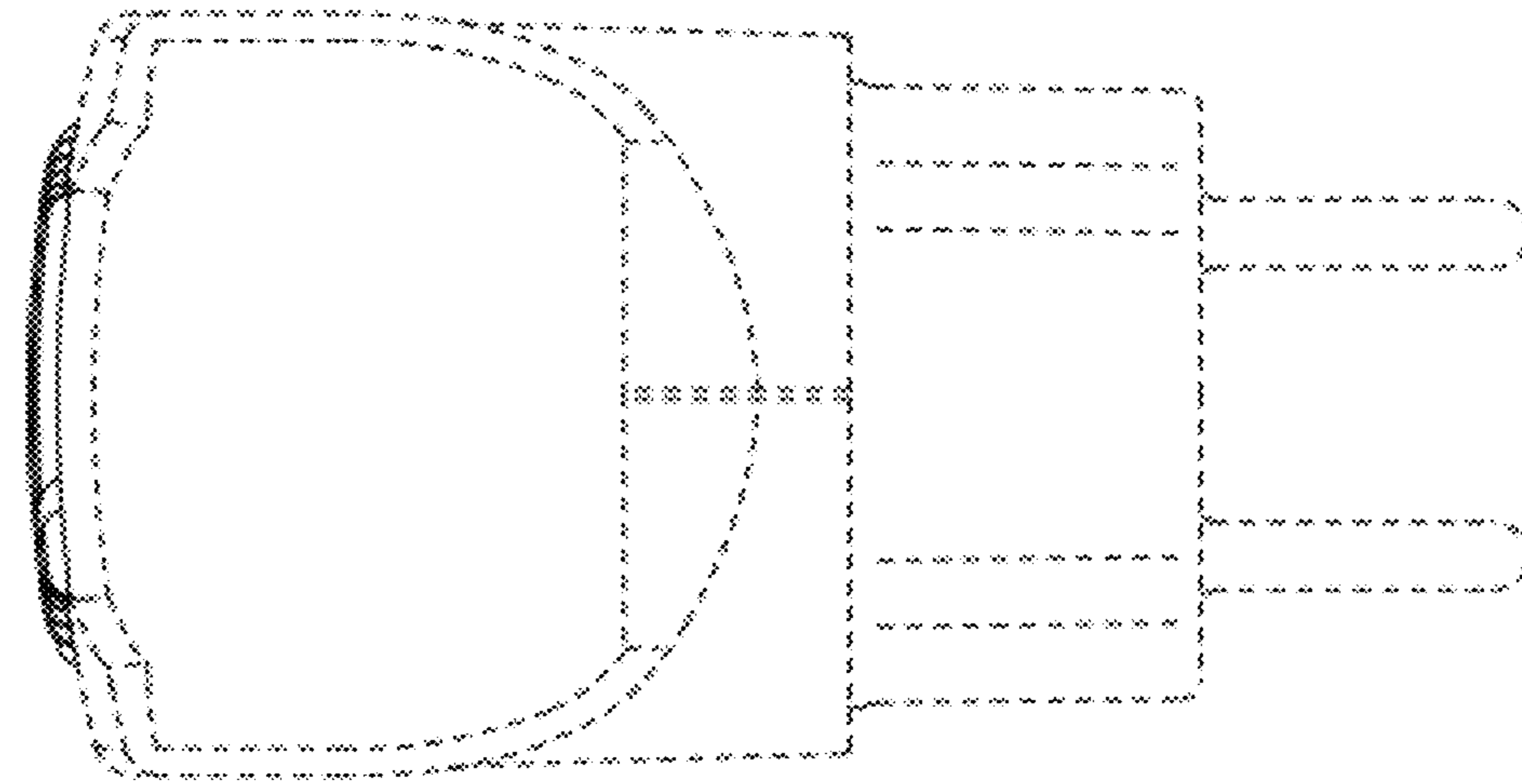


FIG. 6

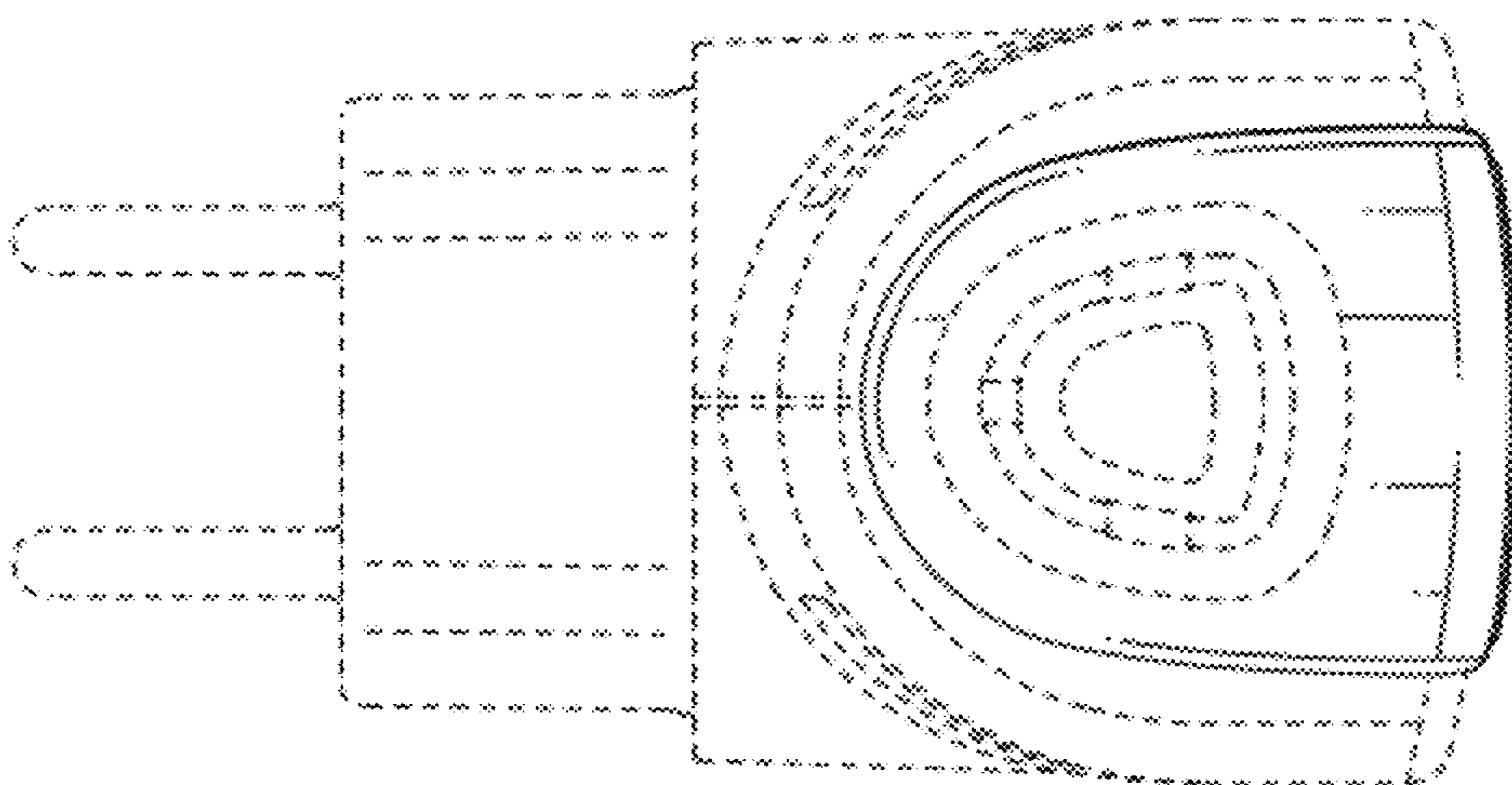


FIG. 7