



US00D675305S

(12) **United States Design Patent**
Bush et al.

(10) **Patent No.:** **US D675,305 S**
(45) **Date of Patent:** **** Jan. 29, 2013**

- (54) **REFILL FOR AIR FRESHENER DEVICE**
- (75) Inventors: **Stephan Gary Bush**, Liberty Township, OH (US); **Richard Lee Lane**, Columbus, OH (US); **Erika Linsley Wetzel**, Cincinnati, OH (US)
- (73) Assignee: **The Procter & Gamble Company**, Cincinnati, OH (US)

6,969,024 B2 * 11/2005 He et al. 242/599
 7,188,799 B1 * 3/2007 Lindsay et al. 242/598.6
 D665,486 S * 8/2012 Masuda et al. D23/366

* cited by examiner

Primary Examiner — Sandra Snapp
 (74) *Attorney, Agent, or Firm* — Amy I Ahn-Roll

(**) Term: **14 Years**

(21) Appl. No.: **29/394,227**

(22) Filed: **Jun. 15, 2011**

(51) **LOC (9) Cl.** **28-99**

(52) **U.S. Cl.** **D23/366**

(58) **Field of Classification Search** D23/355-369;
 D28/5, 6; 261/DIG. 17, DIG. 42, DIG. 65,
 261/DIG. 88, DIG. 89, DIG. 47, DIG. 55,
 261/DIG. 70; 392/356, 390, 392, 394, 395;
 239/34, 44, 53, 55, 56, 326, 60, 308
 See application file for complete search history.

(56) **References Cited**

U.S. PATENT DOCUMENTS

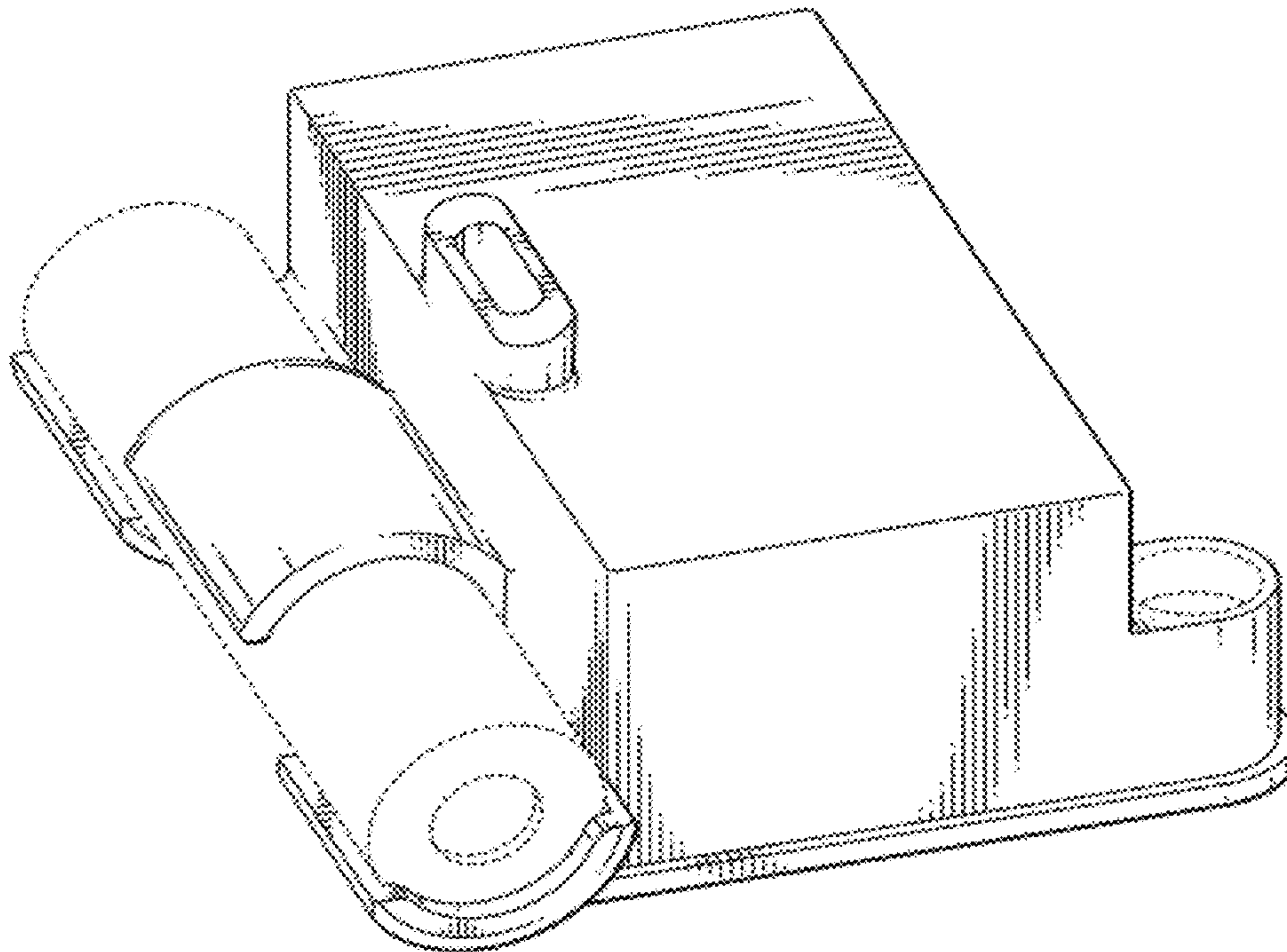
3,043,523 A * 7/1962 Hogstrom 239/274
 4,094,639 A * 6/1978 McMillan 239/58
 4,925,102 A * 5/1990 Jones et al. 239/52
 D384,736 S * 10/1997 Goode et al. D23/366
 5,873,529 A * 2/1999 Johnson 239/274
 6,655,630 B2 * 12/2003 Newman et al. 242/598.6
 6,688,551 B1 * 2/2004 He et al. 242/599

(57) **CLAIM**
 The ornamental design for a refill for air freshener device, as shown and described.

DESCRIPTION

FIG. 1 is a perspective view of a first embodiment of a refill for air freshener device, according to the present invention; FIG. 2 is a top view thereof; FIG. 3 is a bottom view thereof; FIG. 4 is a left side elevational view thereof; FIG. 5 is a right side elevational view thereof; FIG. 6 is a rear elevational view thereof; FIG. 7 is a front elevational view thereof. FIG. 8 is a perspective view of a second embodiment of a refill for air freshener device, according to the present invention; FIG. 9 is a top view thereof; FIG. 10 is a bottom view thereof; FIG. 11 is a left side elevational view thereof; FIG. 12 is a right side elevational view thereof; FIG. 13 is a rear elevational view thereof; and, FIG. 14 is a front elevational view thereof. The broken lines shown in the drawings are for illustrative purposes only and form no part of the claimed design.

1 Claim, 10 Drawing Sheets



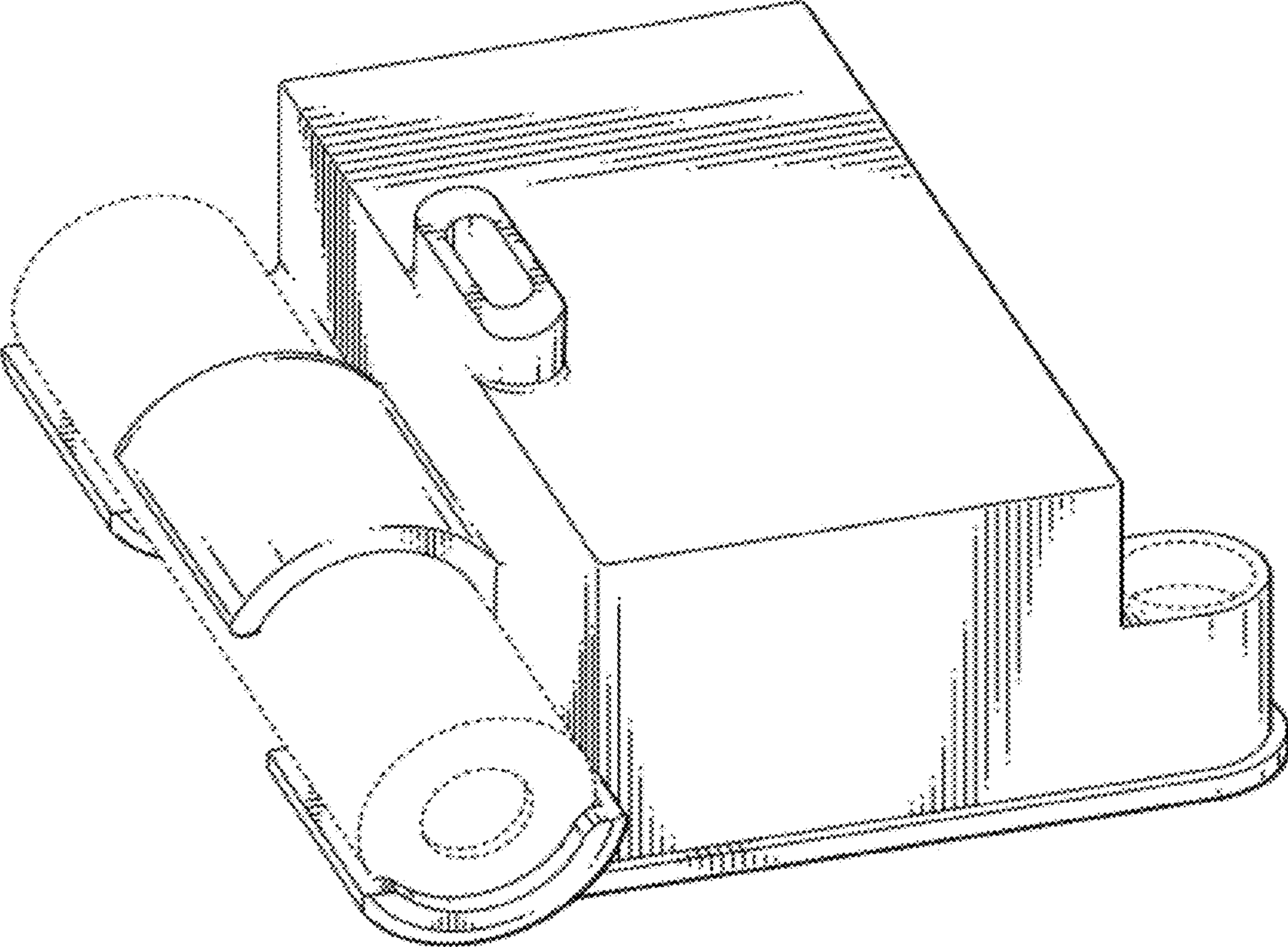


FIG. 1

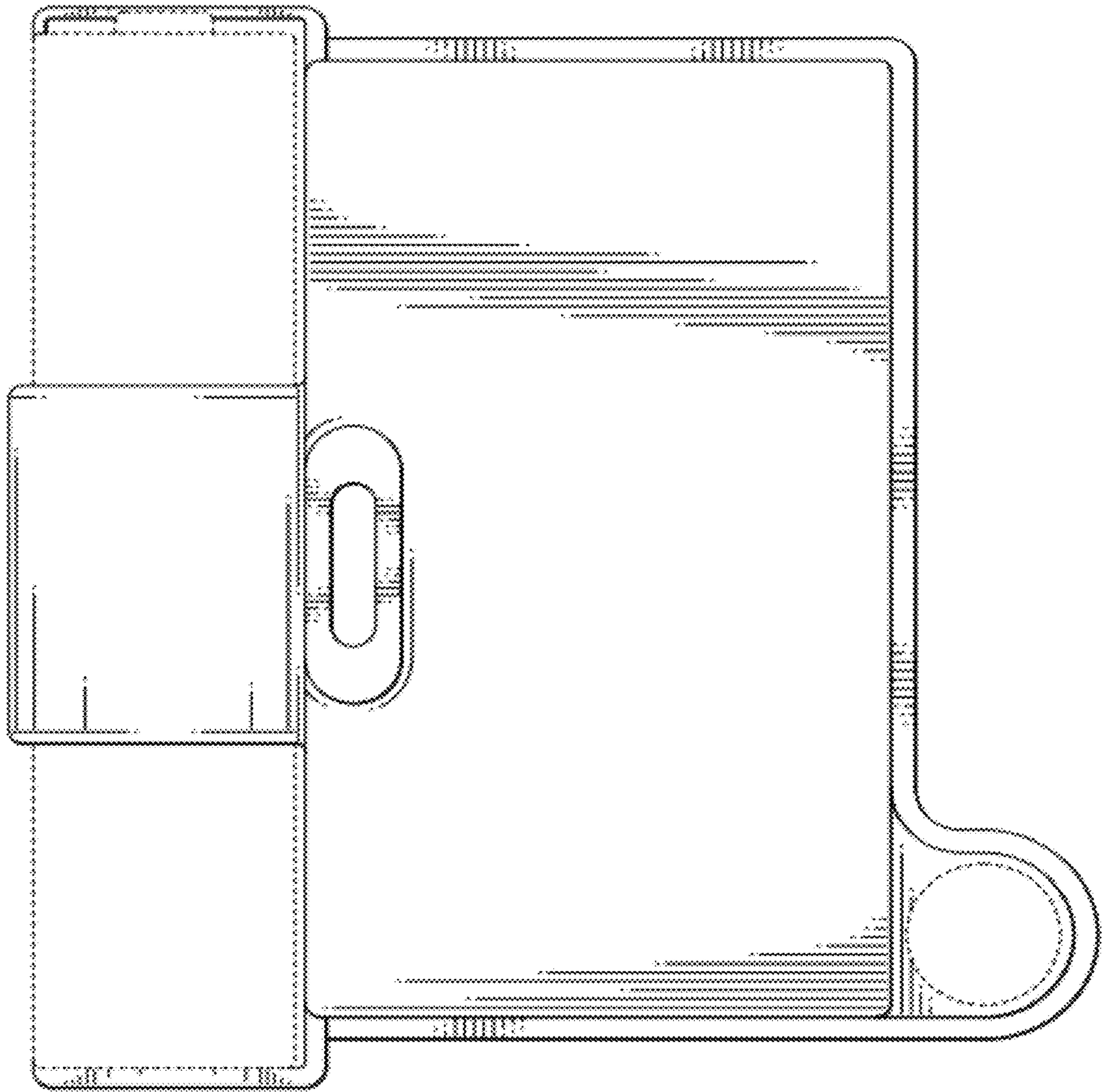


FIG. 2

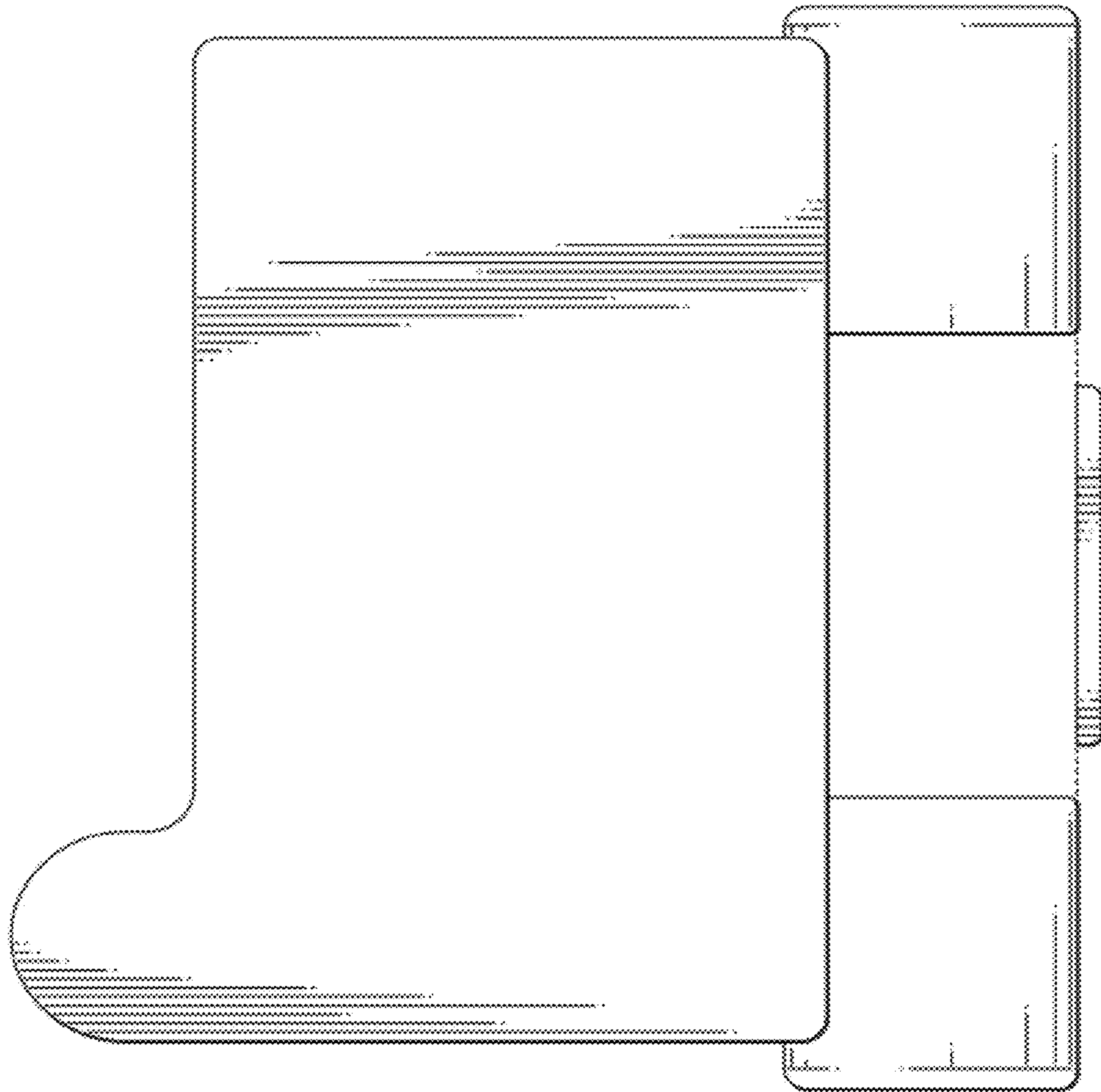


FIG. 3

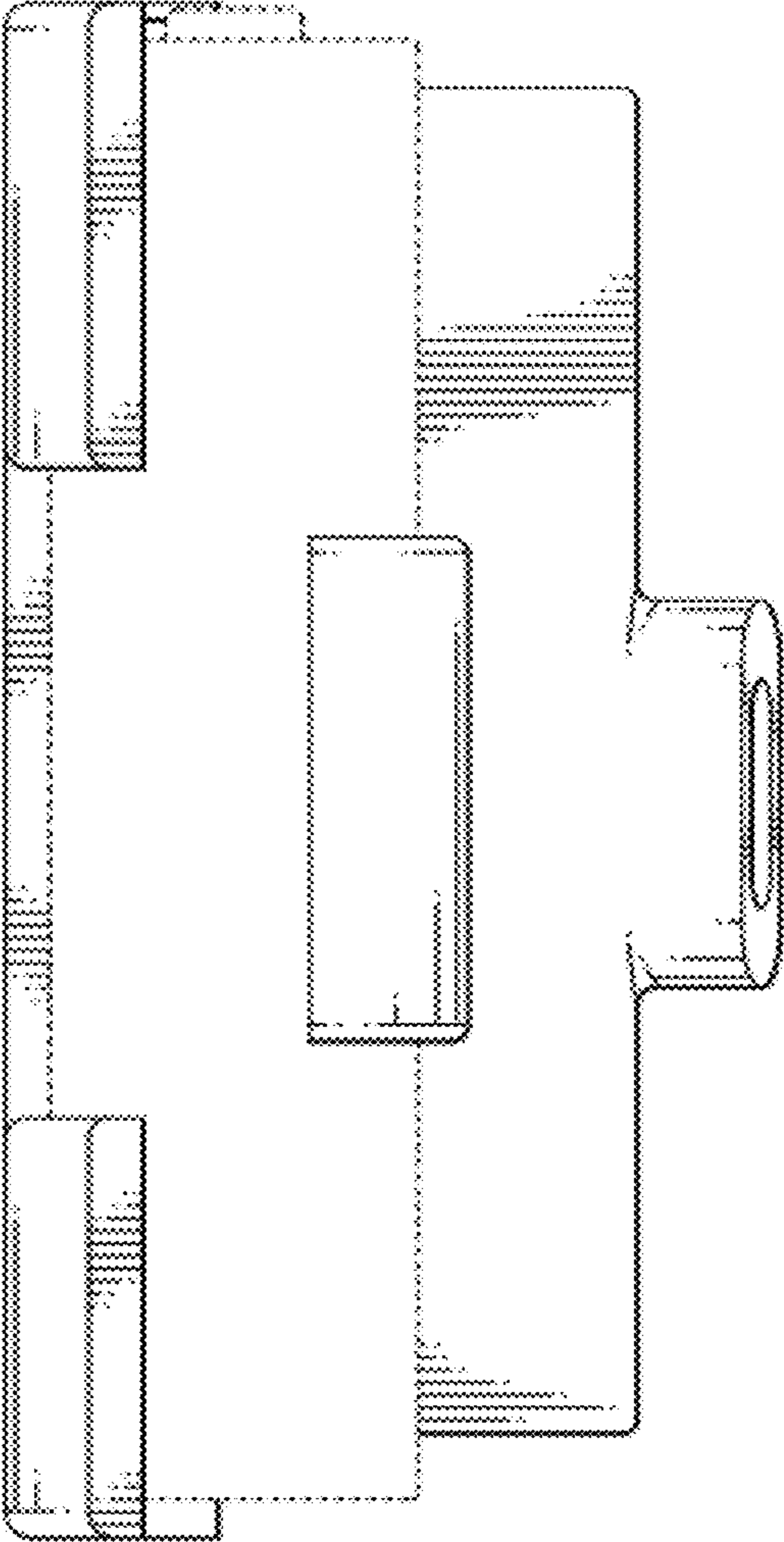


FIG. 4

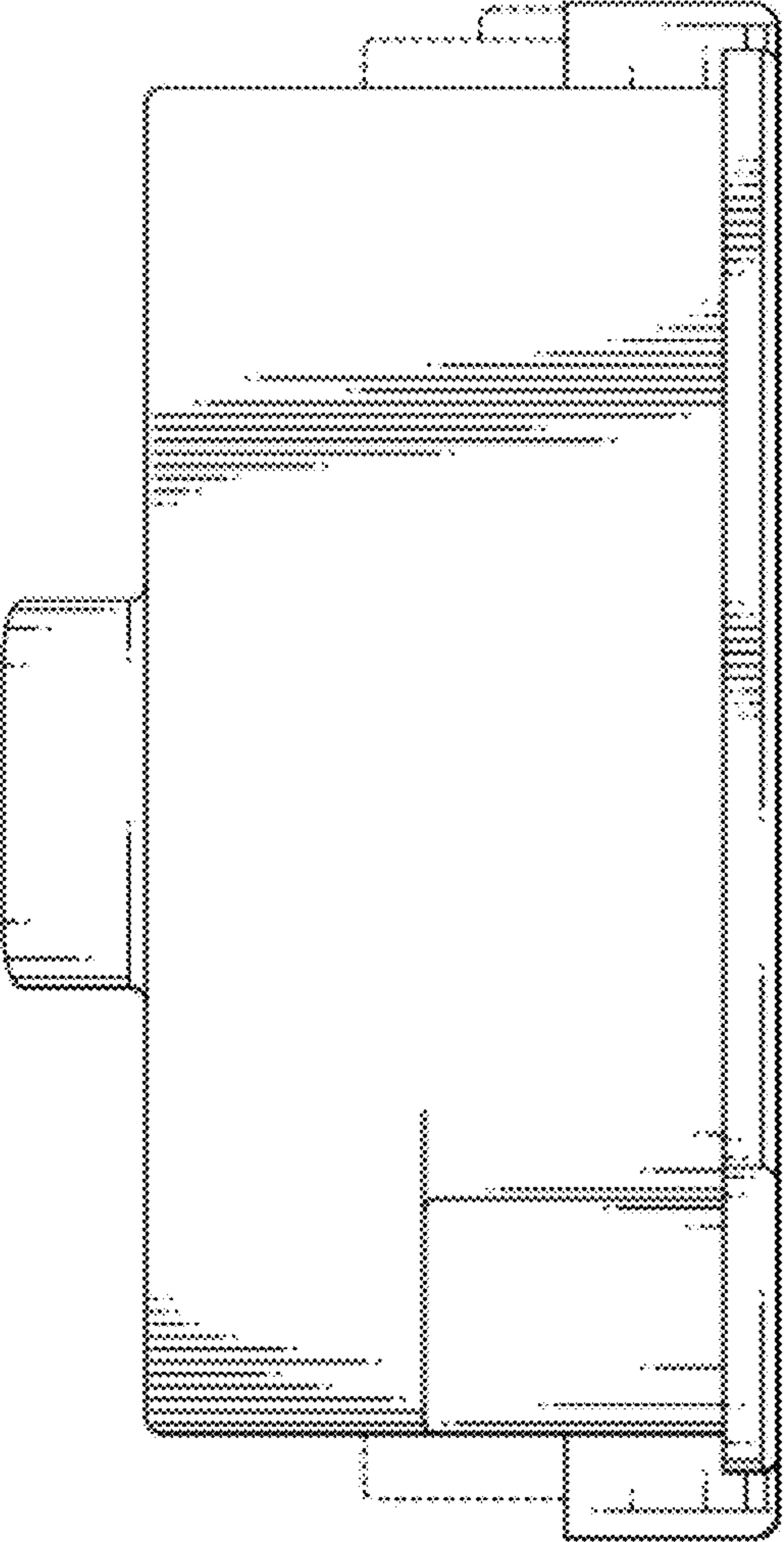


FIG. 5

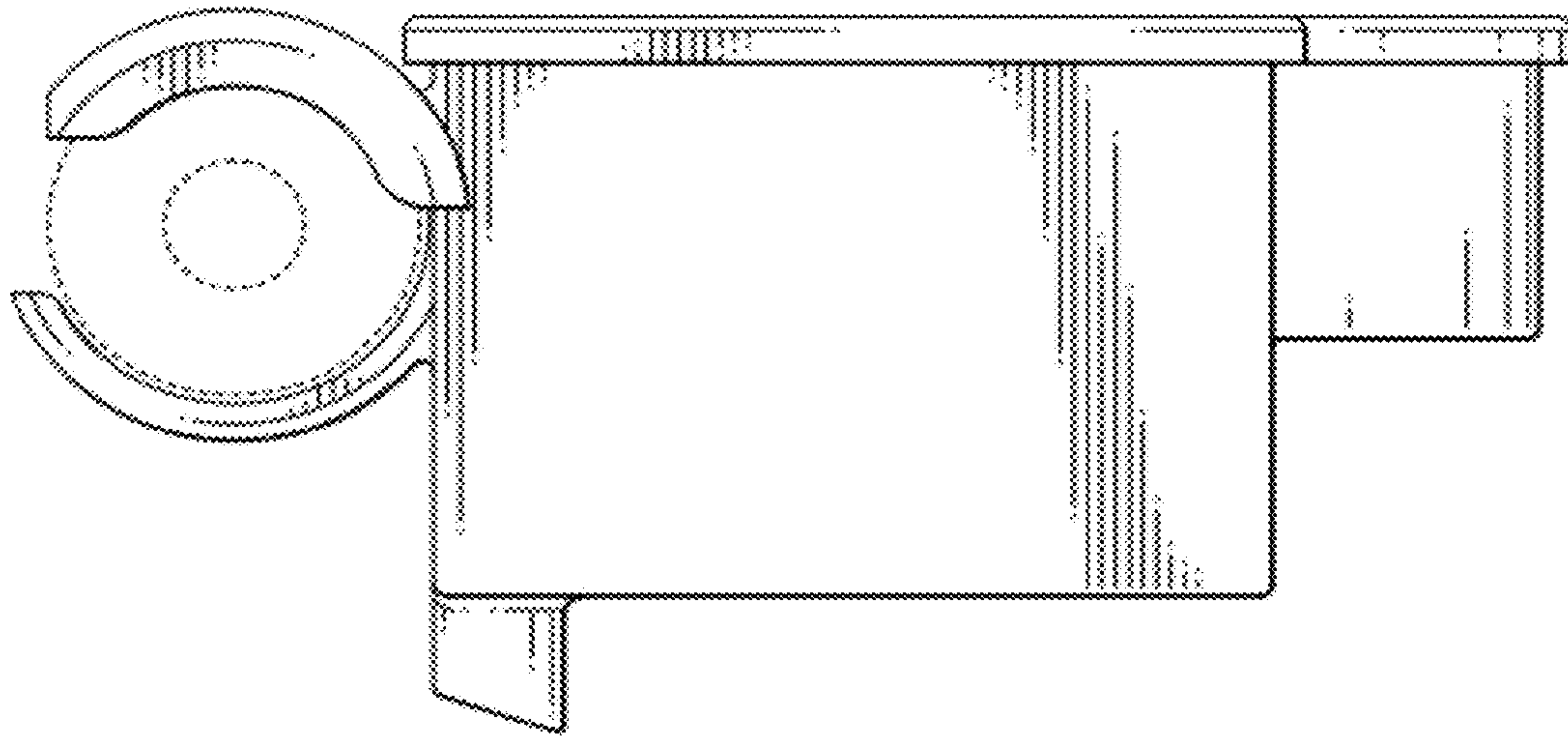


FIG. 6

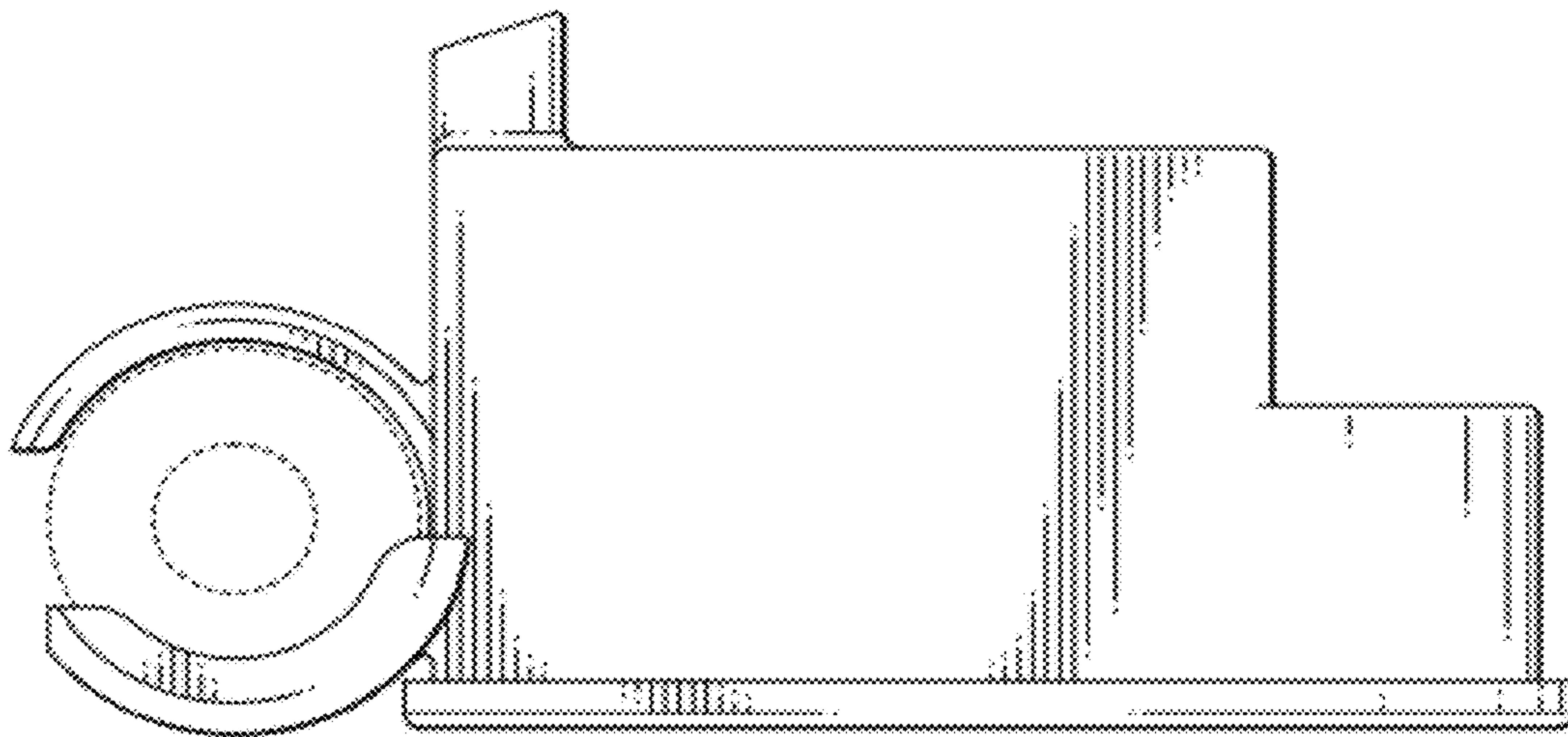


FIG. 7

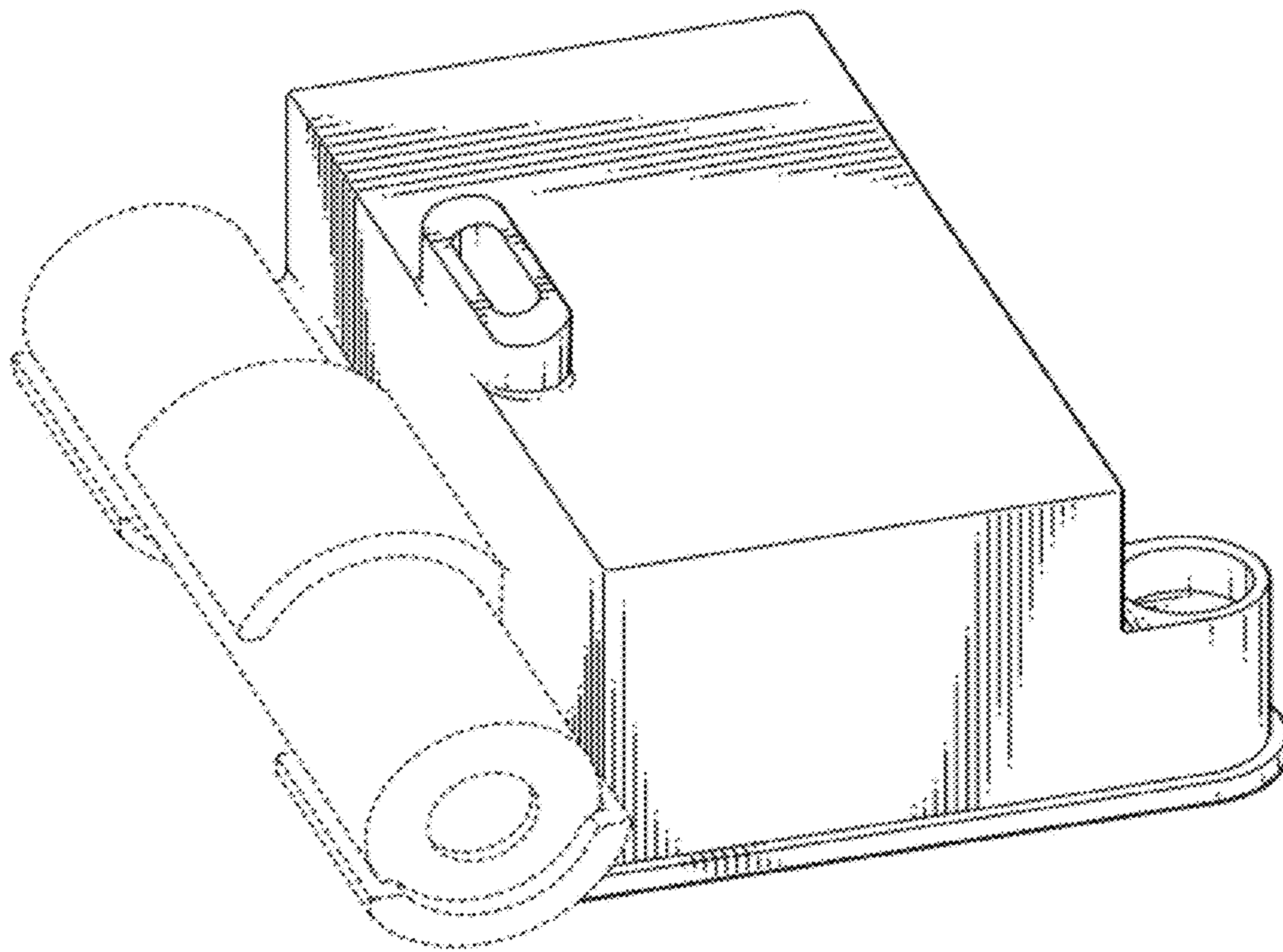


FIG. 8

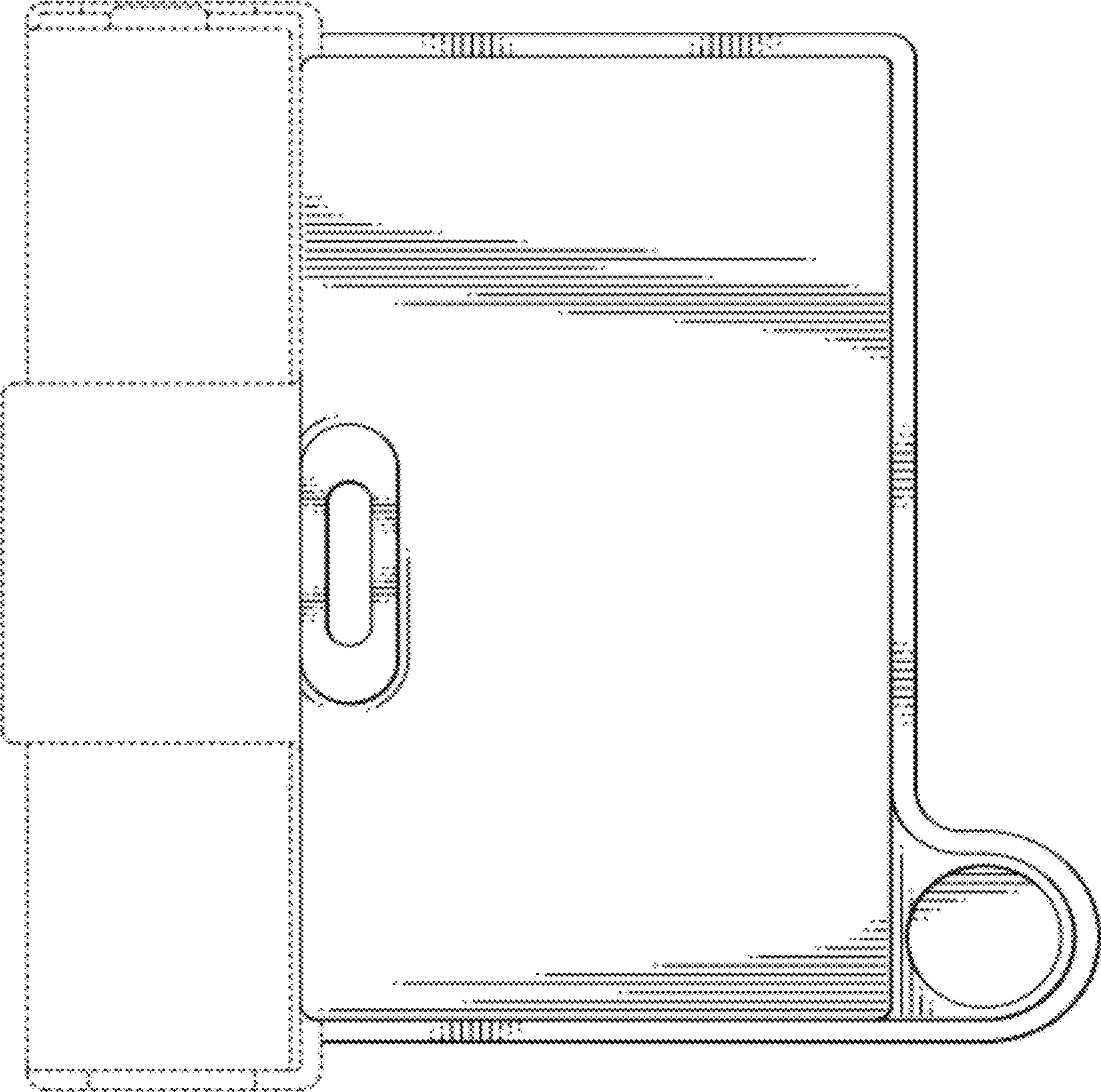


FIG. 9

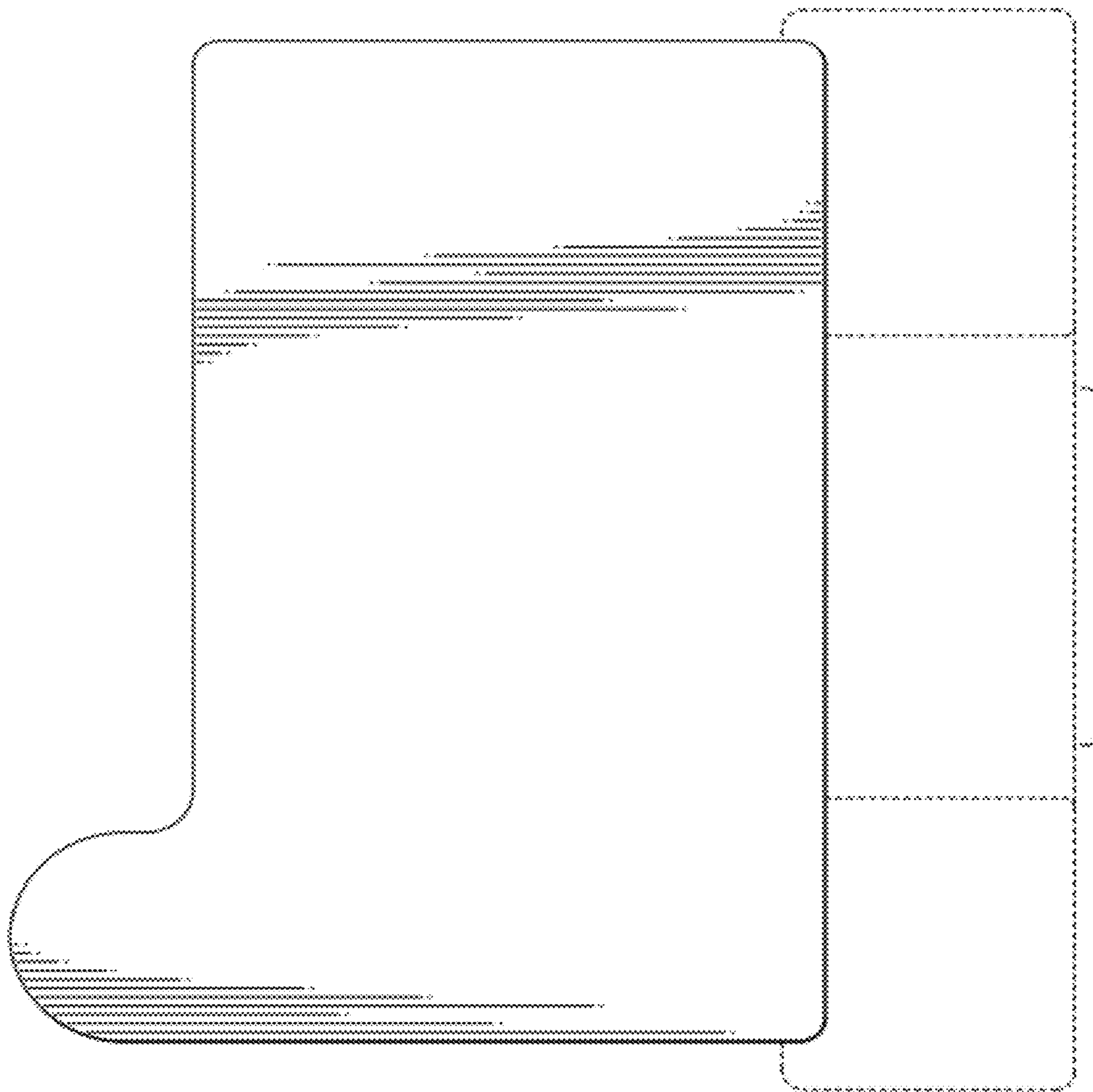


FIG. 10

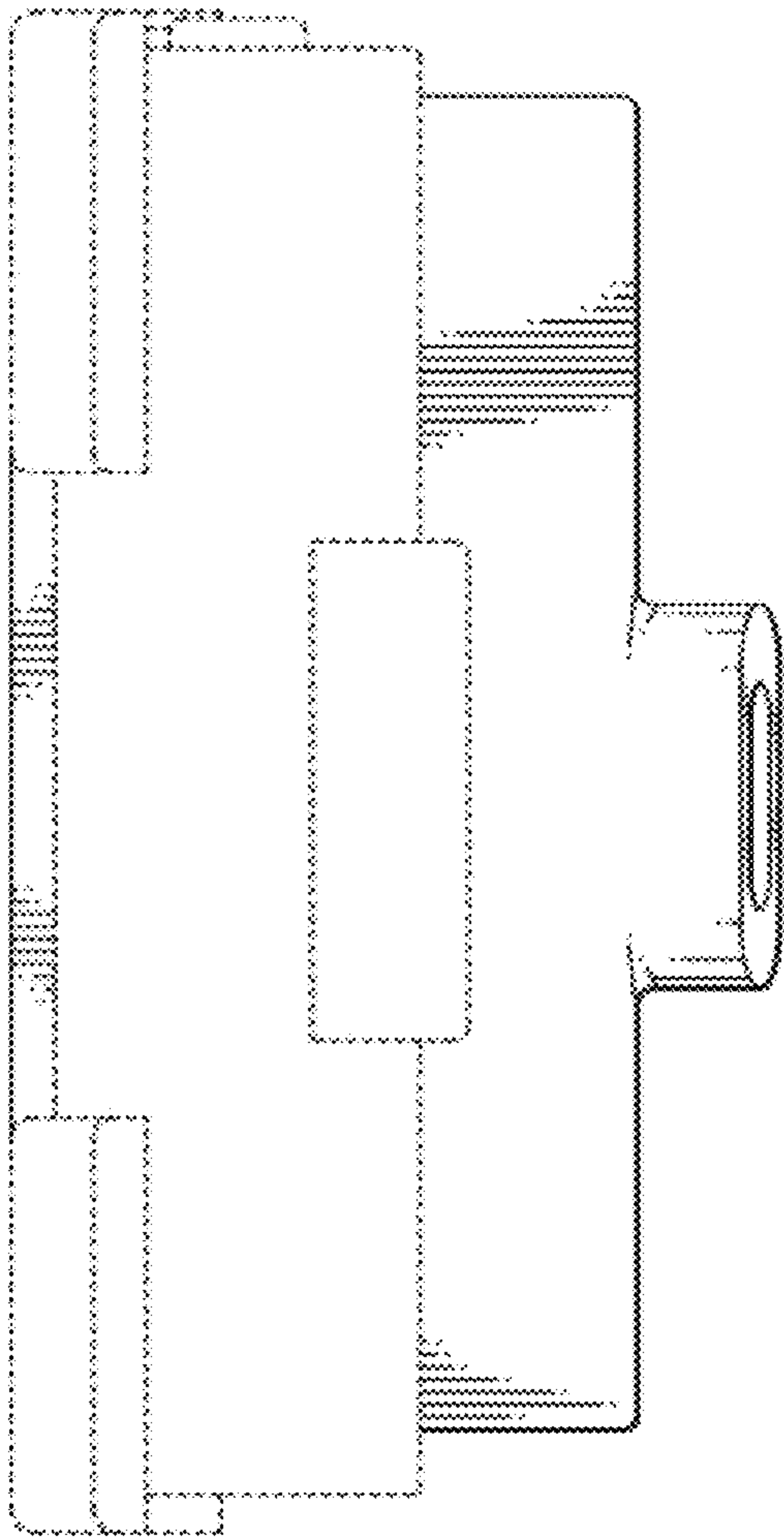


FIG. 11

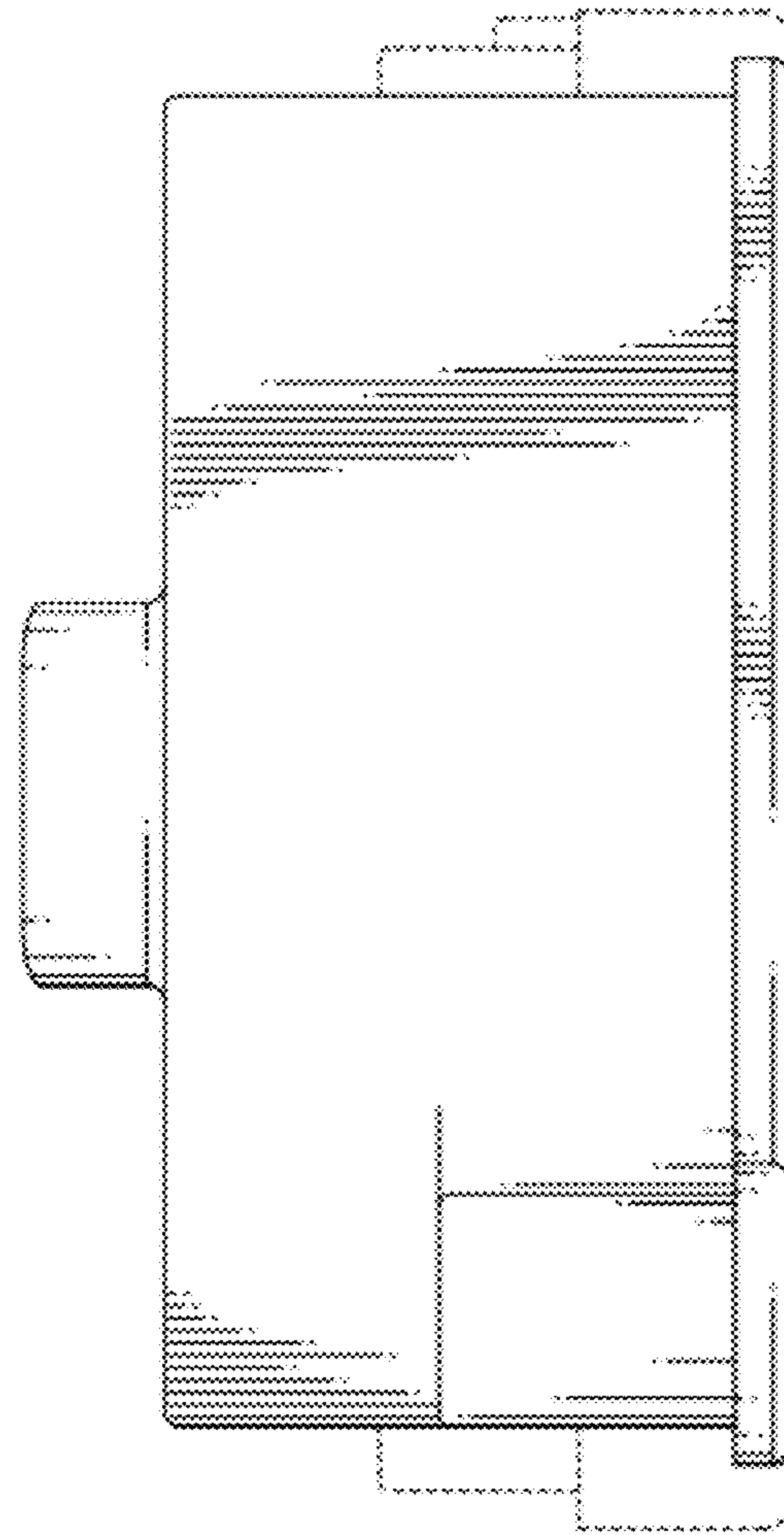


FIG. 12

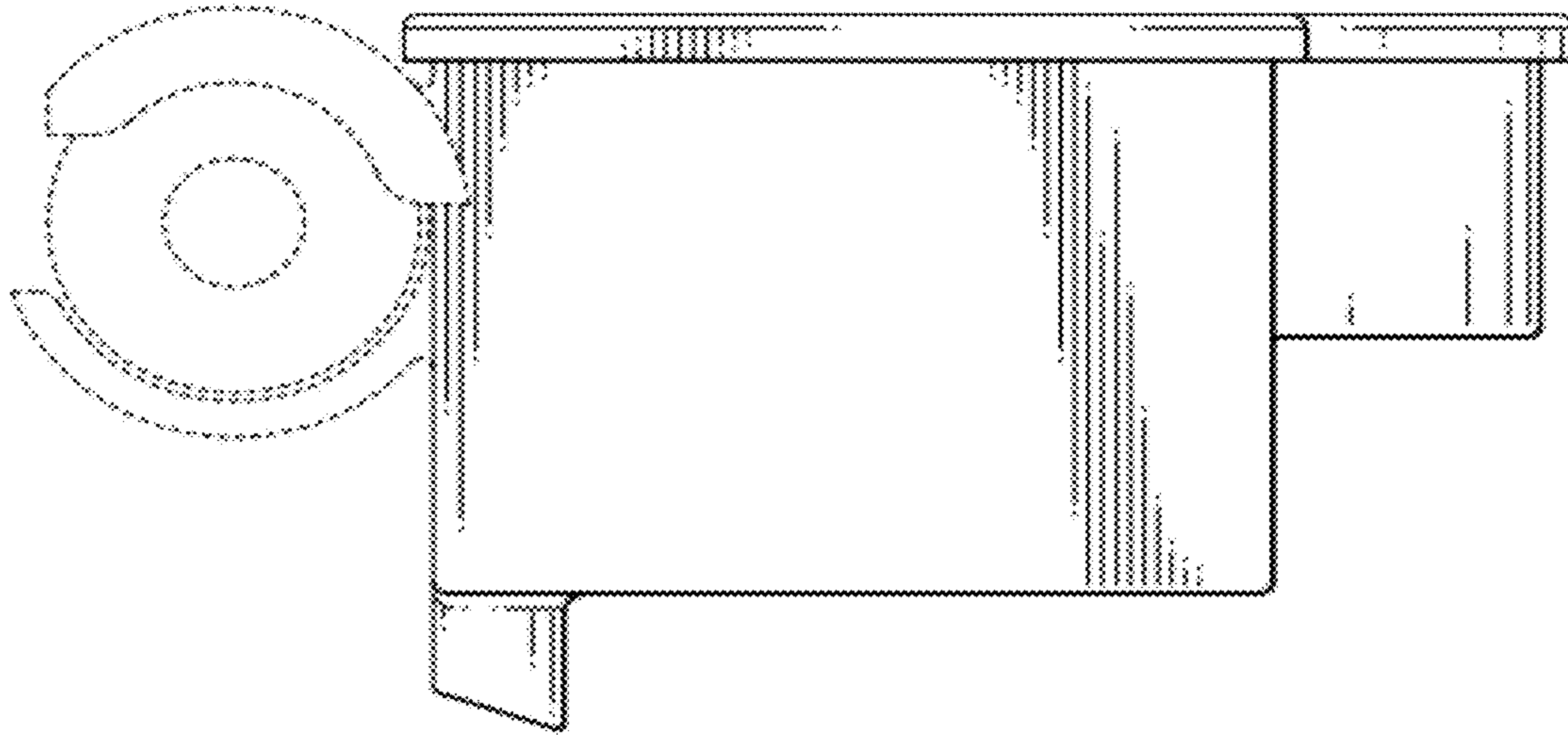


FIG. 13

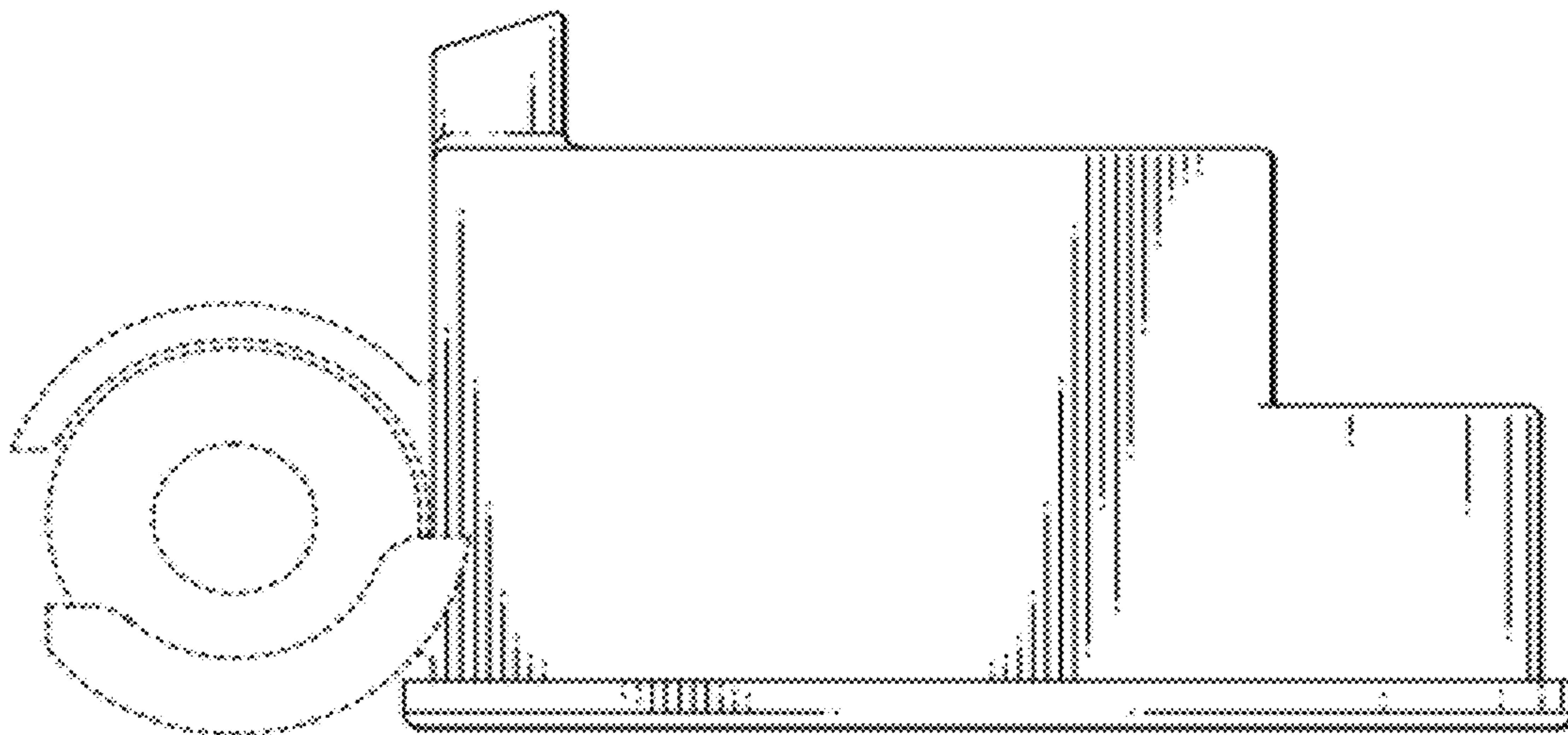


FIG. 14