

US00D675302S

(12) **United States Design Patent**  
**Dukes et al.**

(10) **Patent No.:** **US D675,302 S**  
(45) **Date of Patent:** **\*\* \*Jan. 29, 2013**

- (54) **BASEBOARD HEATER HOUSING**
- (75) Inventors: **Jeffrey Dukes**, Cambridge (CA); **Kelly Stinson**, Cambridge (CA); **Ignazio Gallo**, Cambridge (CA)
- (73) Assignee: **Dimplex North America Limited**, Cambridge, ON (CA)
- (\* ) Notice: This patent is subject to a terminal disclaimer.
- (\*\*) Term: **14 Years**
- (21) Appl. No.: **29/383,397**
- (22) Filed: **Jan. 17, 2011**
- (51) **LOC (9) Cl.** ..... **23-01**
- (52) **U.S. Cl.** ..... **D23/342**
- (58) **Field of Classification Search** ..... D23/317,  
D23/332-342, 351, 355, 370, 378, 381, 364;  
416/244 R, 247 R, 53.1, 53.2, 53.3; 392/365-369,  
392/373-376  
See application file for complete search history.

- D599,455 S 9/2009 Alexanderson
- D619,234 S 7/2010 Nakamura et al.
- D621,492 S 8/2010 Tanaka et al.
- D637,704 S \* 5/2011 Dukes et al. .... D23/342
- D643,913 S \* 8/2011 Ching ..... D23/342
- 2005/0265702 A1\* 12/2005 Birdsell et al. .... 392/368
- 2009/0085713 A1 4/2009 Tsang

**FOREIGN PATENT DOCUMENTS**

GB 2 261 723 5/1993

**OTHER PUBLICATIONS**

Office Action dated Sep. 15, 2010, U.S. Appl. No. 29/364,312, filed Jun. 22, 2010, pp. 1-6.

\* cited by examiner

*Primary Examiner* — Eric Goodman

(57) **CLAIM**

The ornamental design for a baseboard heater housing, as shown and described.

**DESCRIPTION**

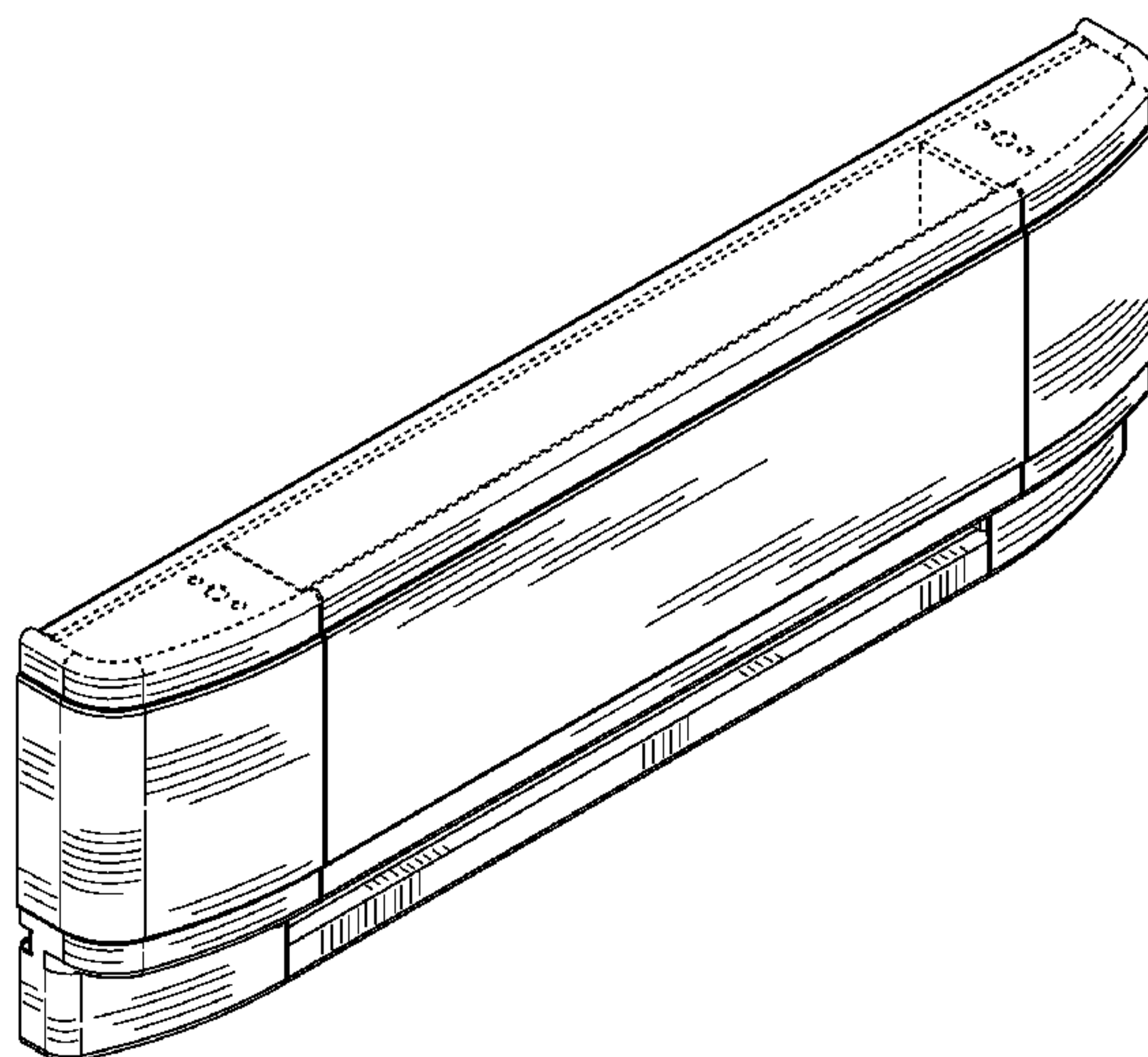
FIG. 1 is an isometric view of the baseboard heater housing;  
 FIG. 2 is a side view of a left side thereof;  
 FIG. 3 is a front view thereof;  
 FIG. 4 is a side view of a right side thereof;  
 FIG. 5 is a back view thereof;  
 FIG. 6 is a top view thereof;  
 FIG. 7 is a bottom view thereof;  
 FIG. 8 is an isometric view of another embodiment of the baseboard heater housing;  
 FIG. 9 is a side view of a left side thereof;  
 FIG. 10 is a front view thereof;  
 FIG. 11 is a side view of a right side thereof;  
 FIG. 12 is a back view thereof;  
 FIG. 13 is a top view thereof; and,  
 FIG. 14 is a bottom view thereof.  
 The broken lines illustrate portions of the baseboard heater housing that form no part of the claimed design.

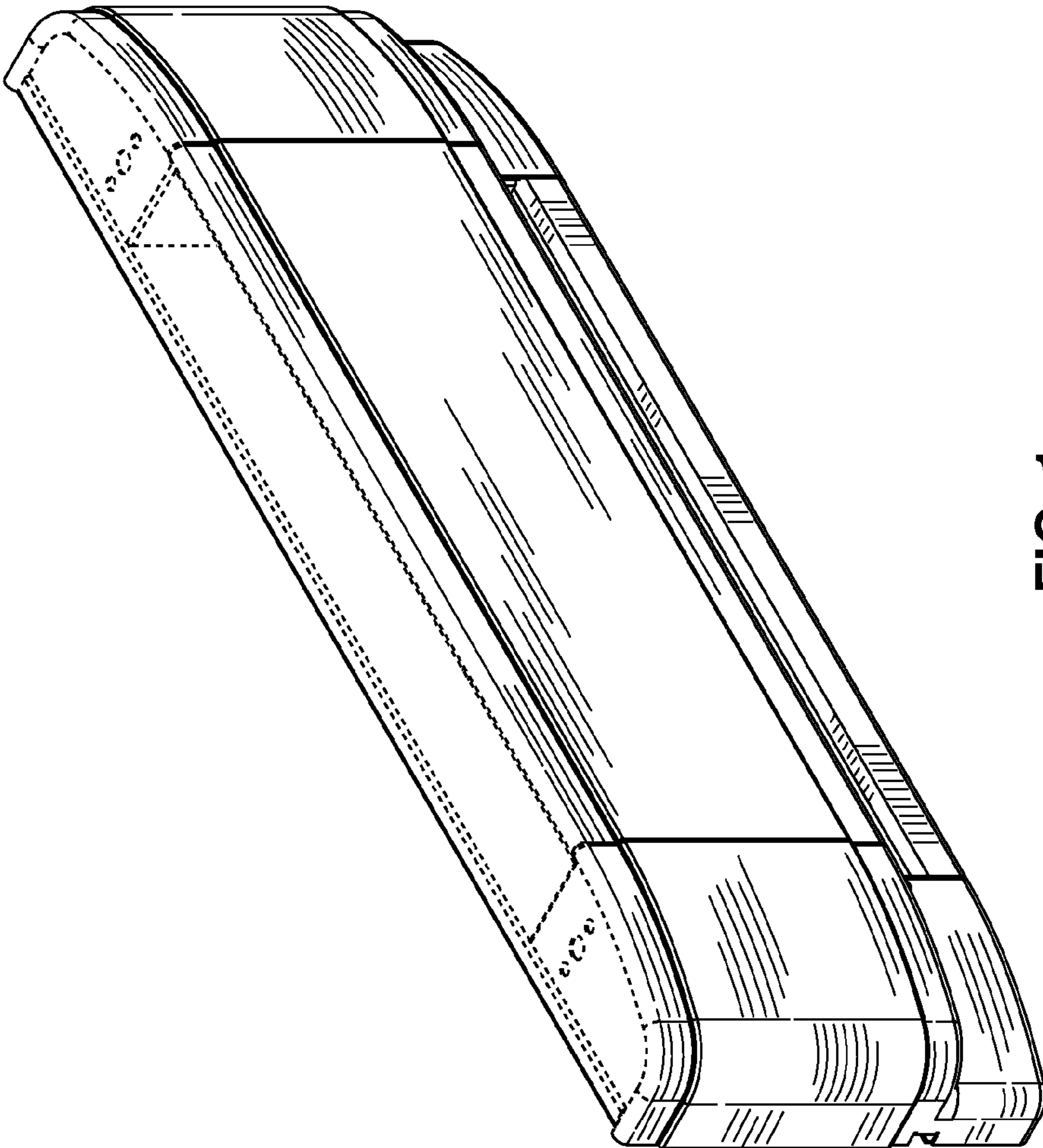
**1 Claim, 8 Drawing Sheets**

(56) **References Cited**

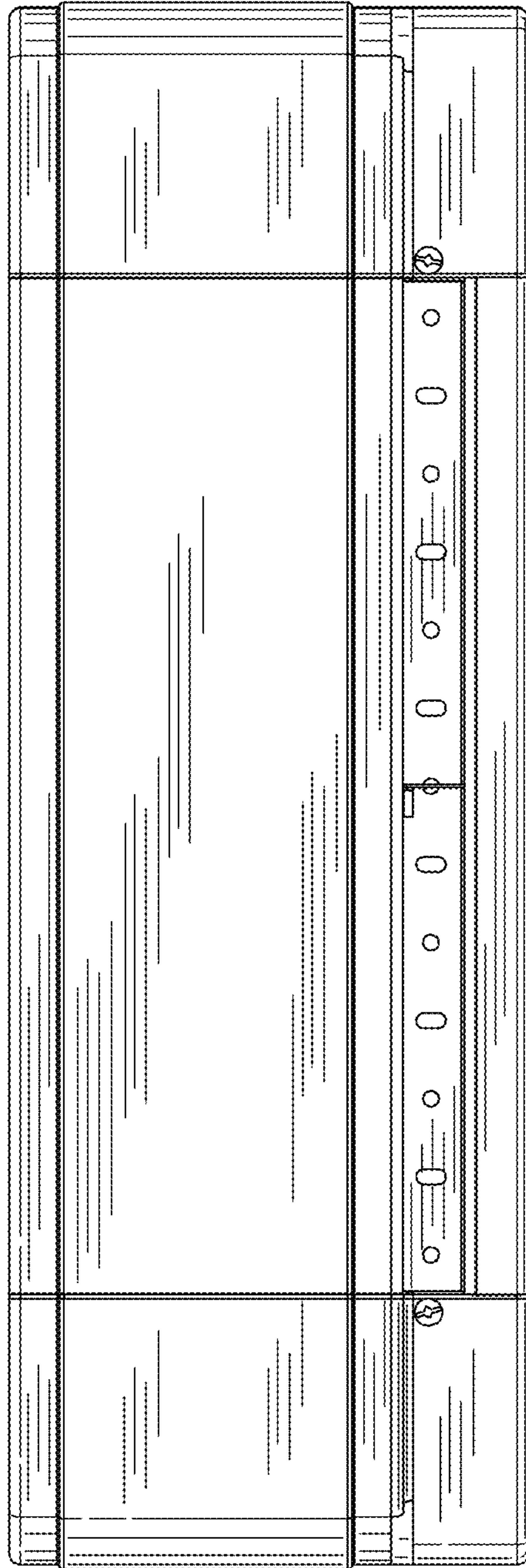
**U.S. PATENT DOCUMENTS**

- 1,221,422 A 4/1917 de la Poeze
- 1,555,339 A 9/1925 Vaughan
- 1,728,377 A 9/1929 Trane
- 2,541,162 A 2/1951 Hermann
- 3,091,289 A 5/1963 Weinstein
- 3,867,981 A 2/1975 Monroe
- 5,197,111 A 3/1993 Mills, II et al.
- D464,413 S 10/2002 Shapiro et al.
- 6,541,743 B2\* 4/2003 Chen ..... 219/530
- D477,864 S 7/2003 Giugiaro
- 6,609,664 B1 8/2003 Tamhane
- D484,960 S 1/2004 Giugiaro
- D514,674 S 2/2006 Blateri
- D567,347 S \* 4/2008 Ching ..... D23/342
- D568,975 S \* 5/2008 Lim ..... D23/351
- D595,397 S \* 6/2009 Park et al. .... D23/351

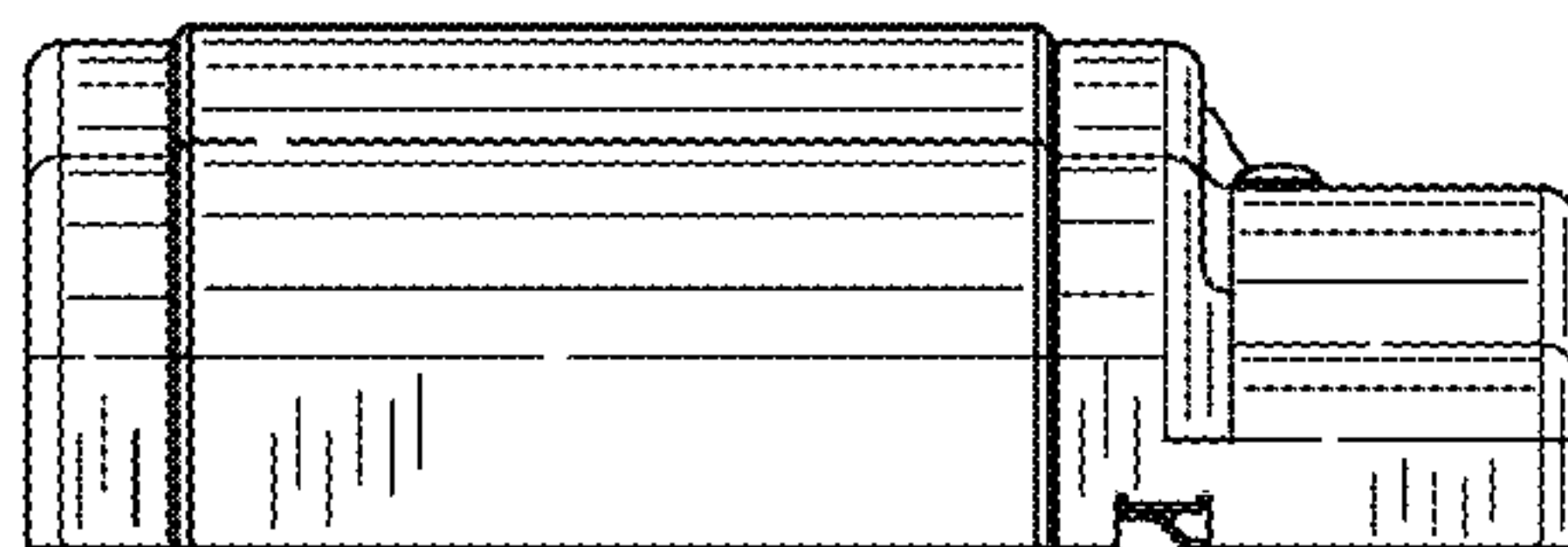




**FIG. 1**

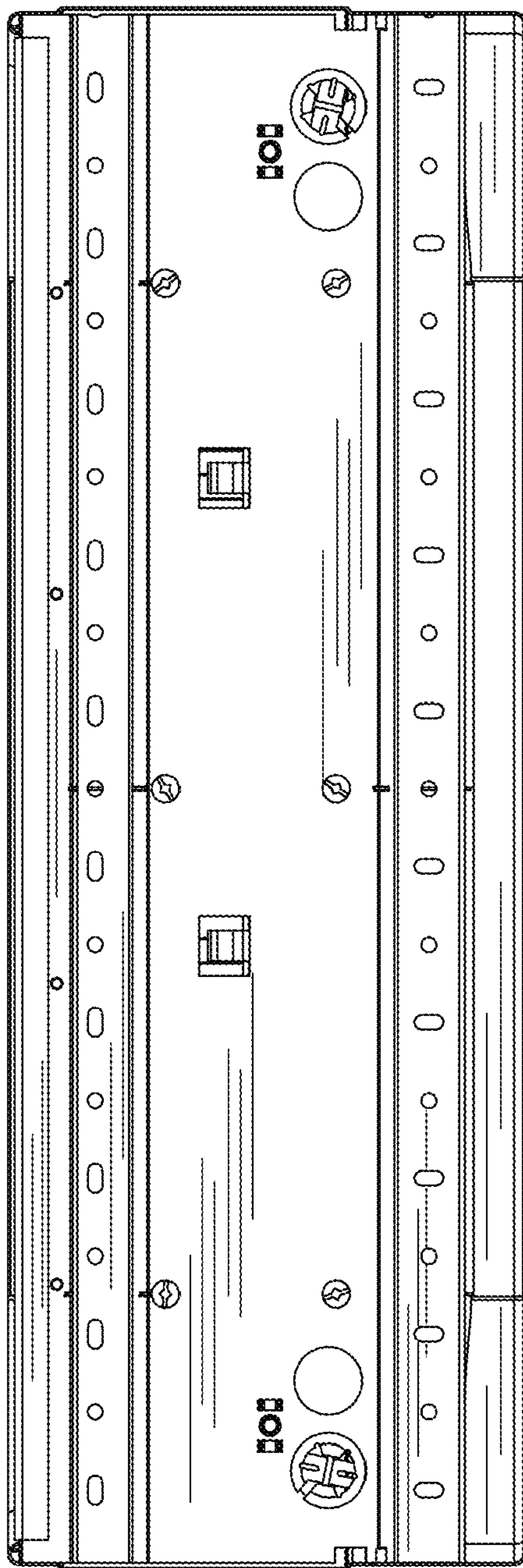


**FIG. 3**

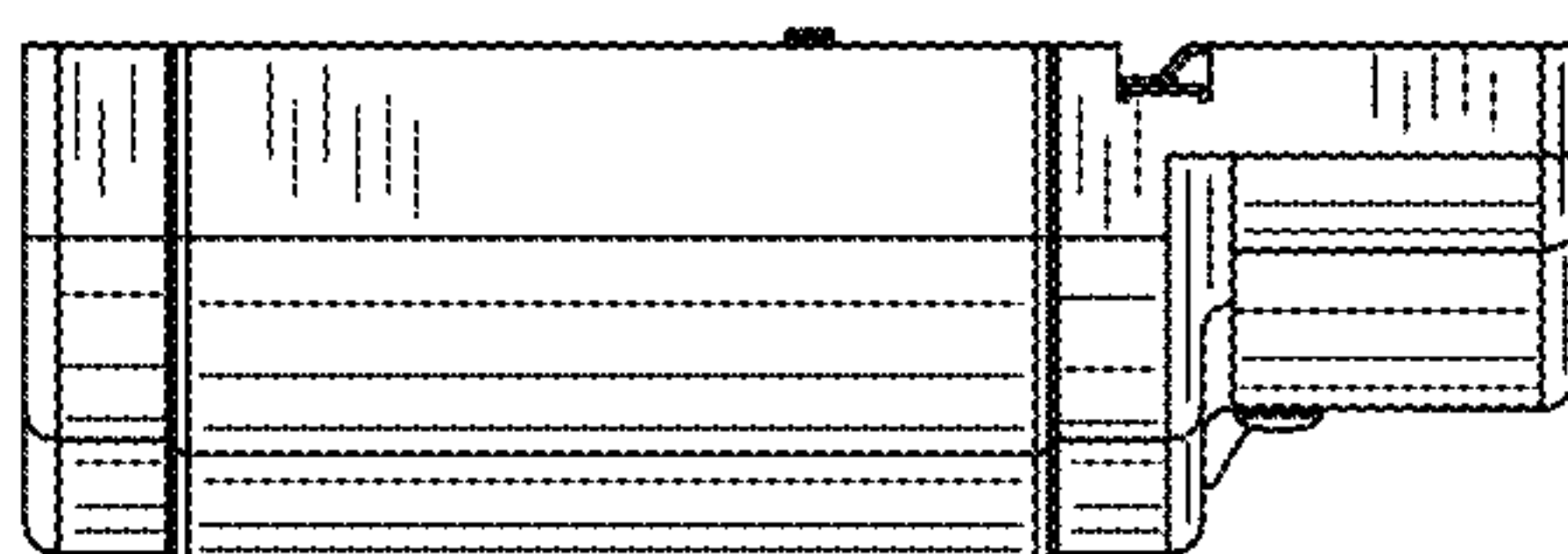


**FIG. 2**

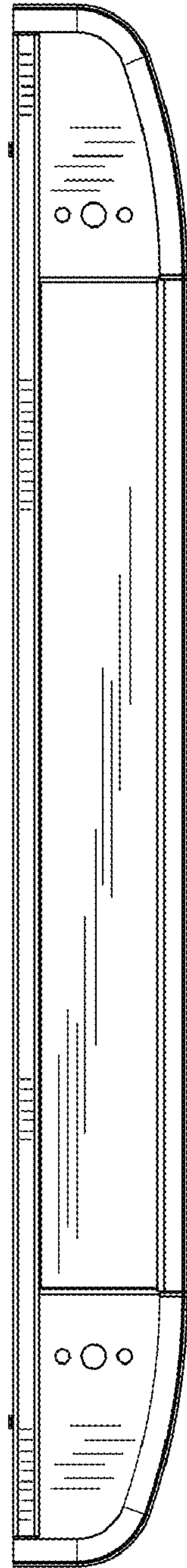




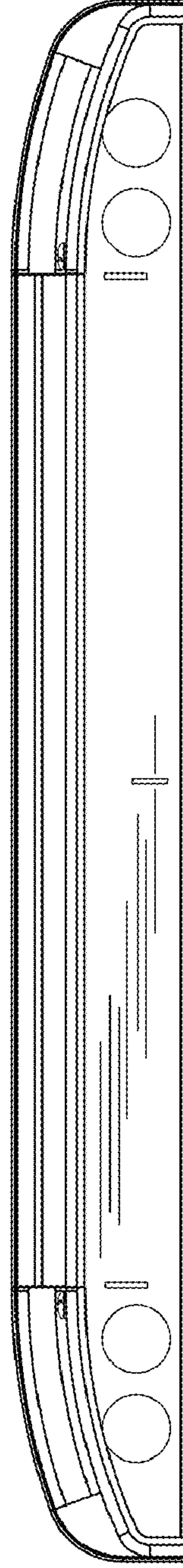
**FIG. 4**



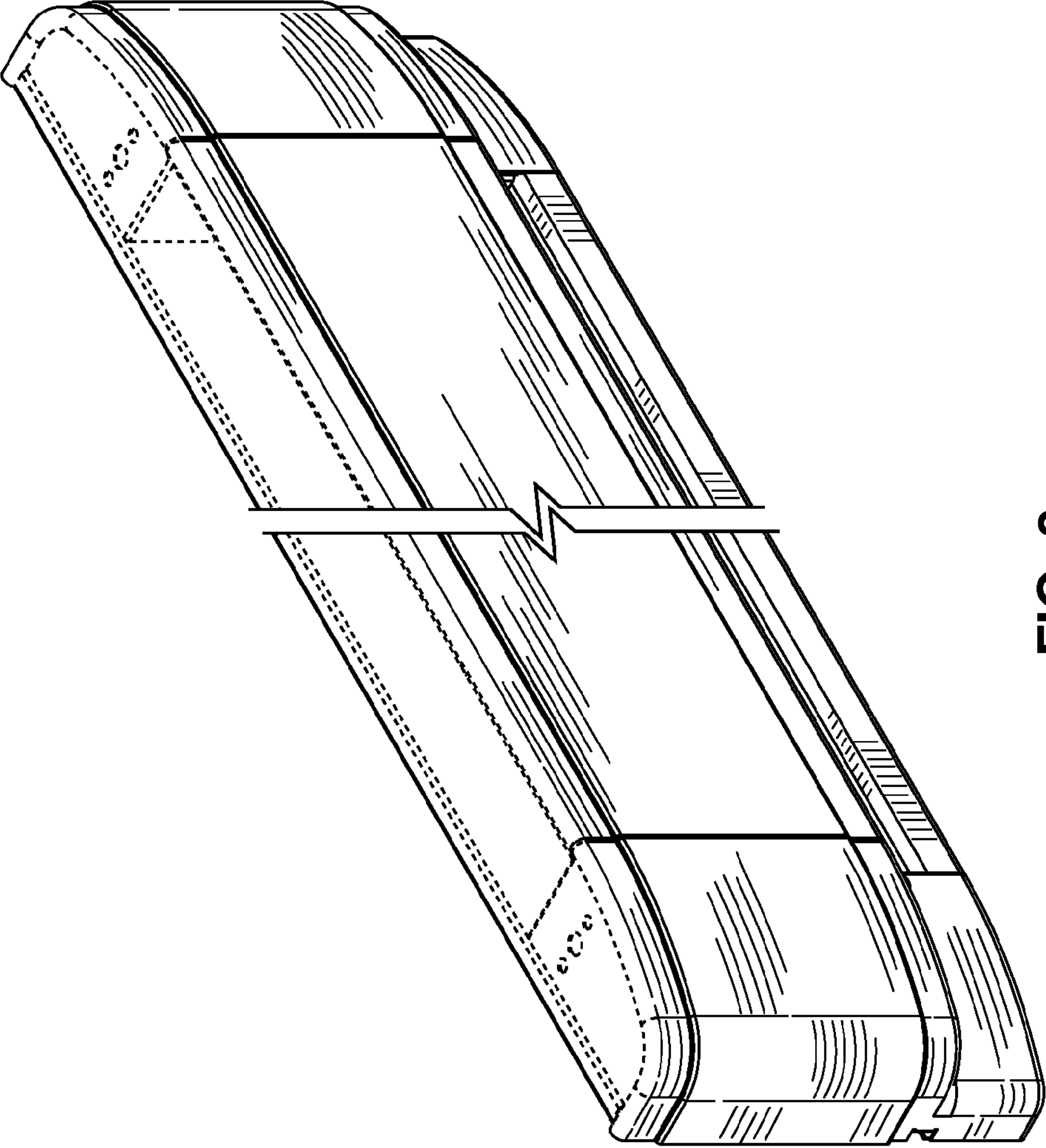
**FIG. 5**



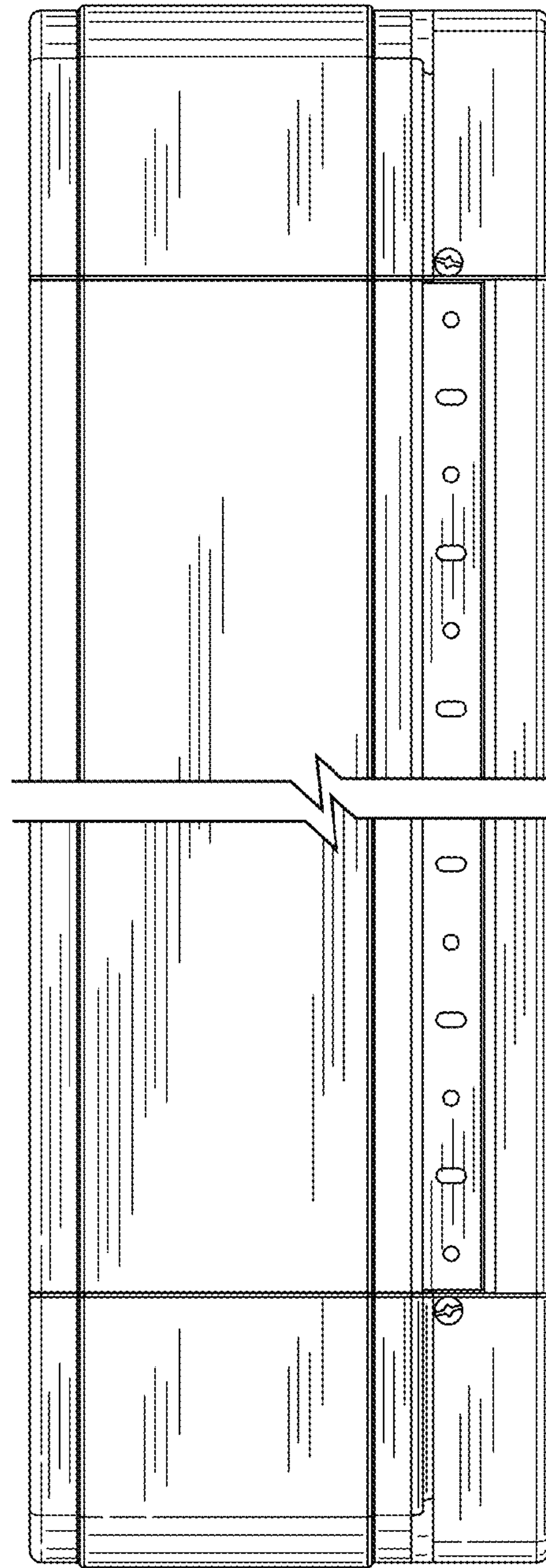
**FIG. 6**



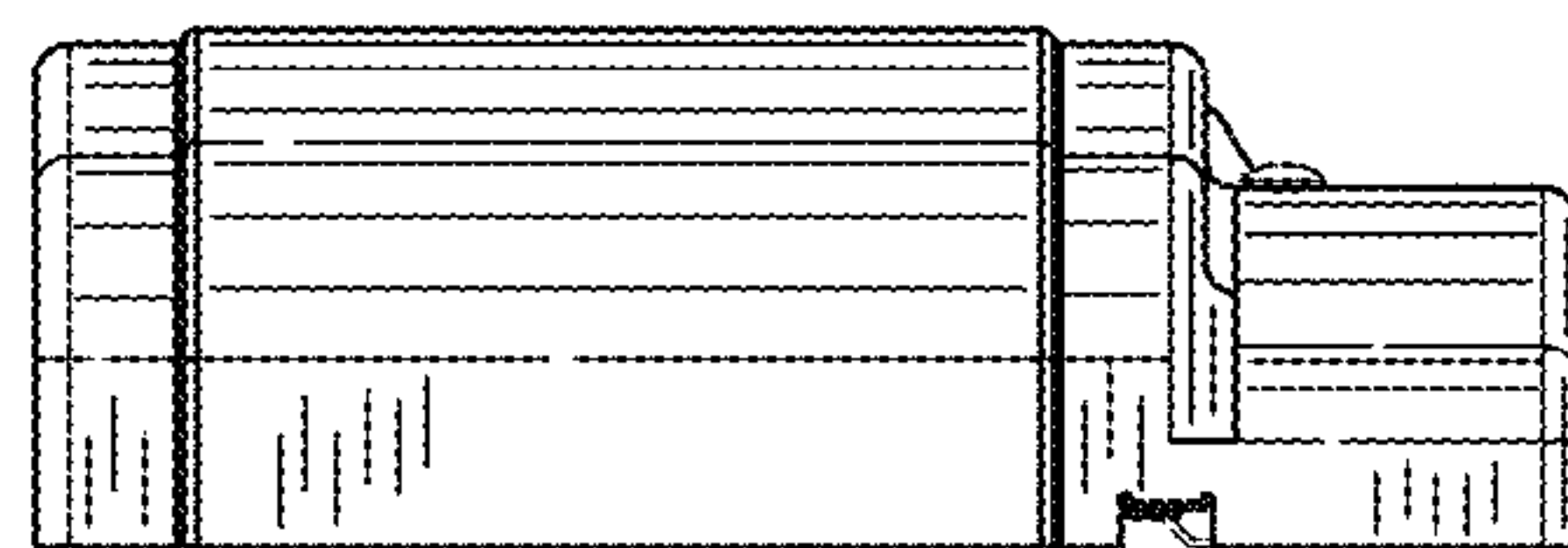
**FIG. 7**



**FIG. 8**

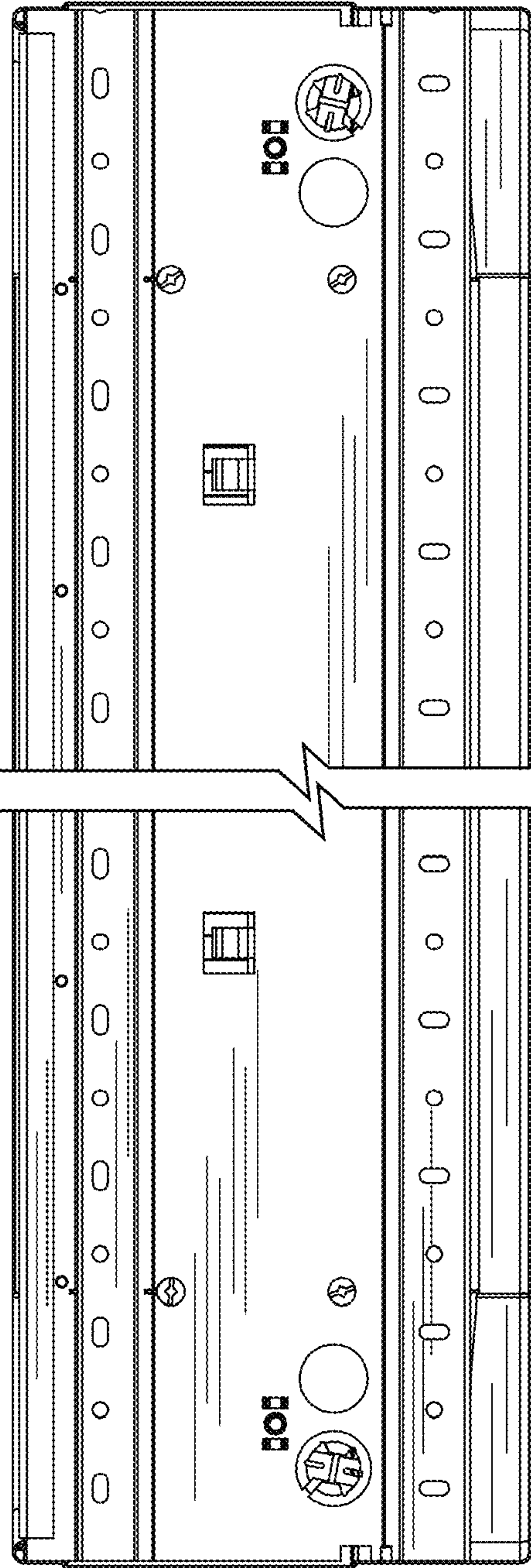


**FIG. 10**

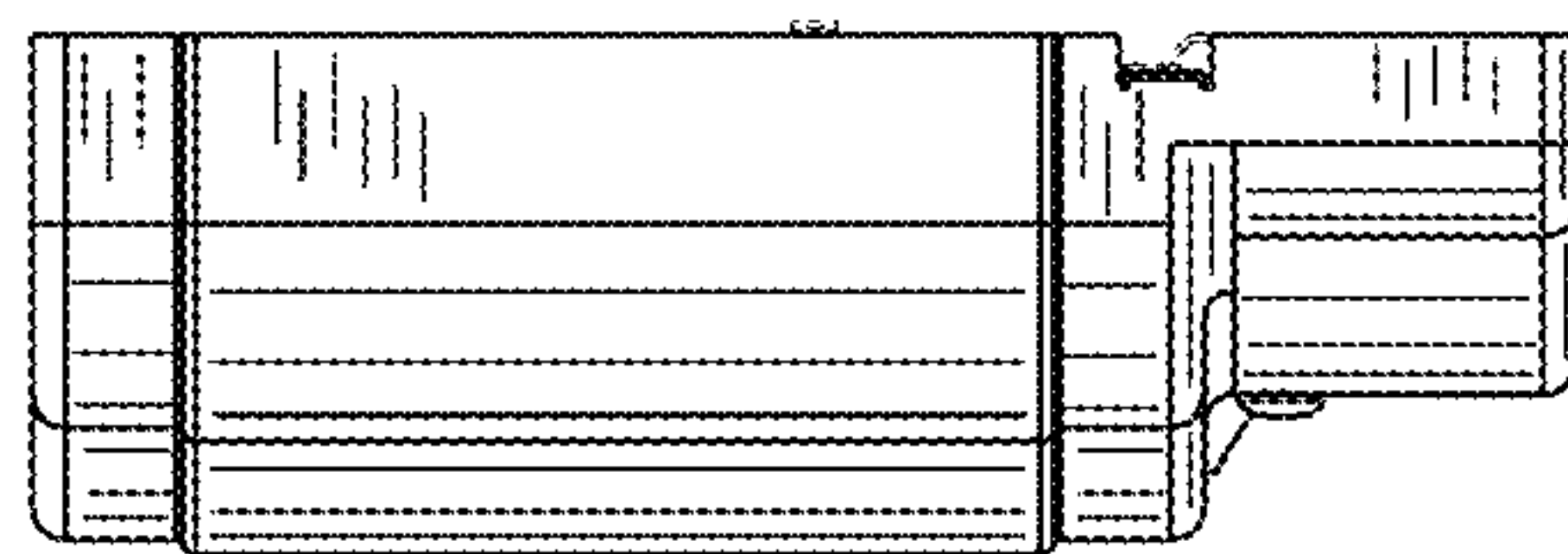


**FIG. 9**



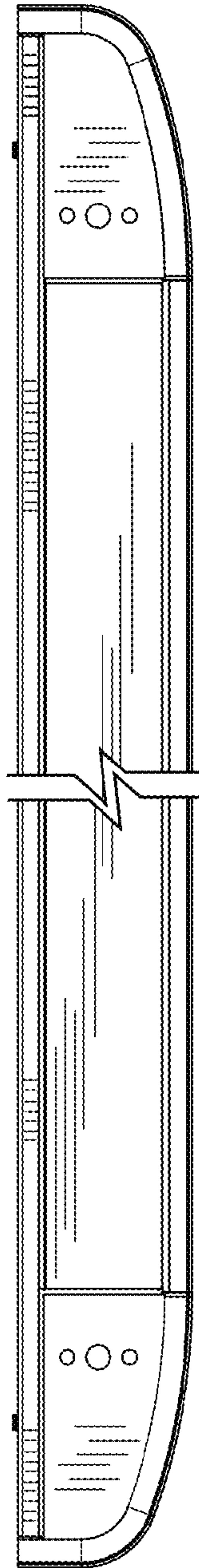


**FIG. 11**

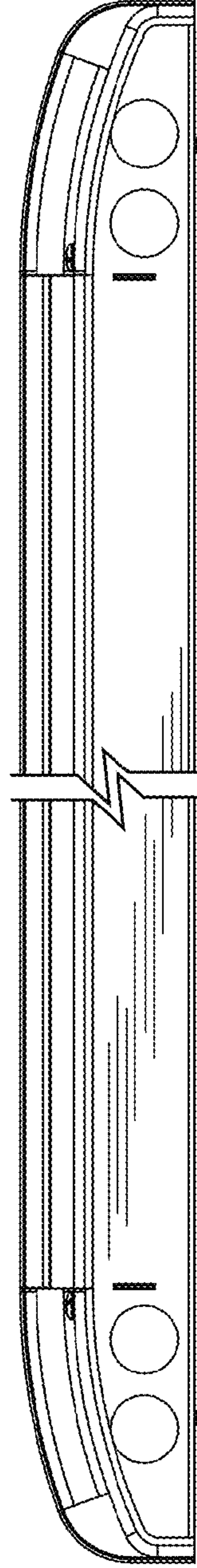


**FIG. 12**





**FIG. 13**



**FIG. 14**