



US00D675300S

(12) **United States Design Patent**
Miller et al.

(10) **Patent No.:** **US D675,300 S**
(45) **Date of Patent:** **** Jan. 29, 2013**

(54) **SINK**

(75) Inventors: **Jason Miller**, Sheboygan Falls, WI (US); **Terrence K. Mahon**, Whitefish Bay, WI (US); **Shawn J. Booth**, Sheboygan, WI (US); **Peter Tabeling**, Lakewood, OH (US)

(73) Assignee: **Kohler Co.**, Kohler, WI (US)

(**) Term: **14 Years**

(21) Appl. No.: **29/428,614**

(22) Filed: **Aug. 1, 2012**

Related U.S. Application Data

(62) Division of application No. 29/425,477, filed on Jun. 22, 2012, which is a division of application No. 29/412,242, filed on Feb. 1, 2012, now Pat. No. Des. 663,389, which is a division of application No. 29/386,884, filed on Mar. 4, 2011, now Pat. No. Des. 655,798.

(51) **LOC (9) Cl.** **23-02**

(52) **U.S. Cl.** **D23/308**

(58) **Field of Classification Search** D23/284, D23/290–292, 293.1, 303, 308; 4/619, 639–640
See application file for complete search history.

(56) **References Cited**

U.S. PATENT DOCUMENTS

D353,652 S	*	12/1994	Dannenberg	D23/293.1
D484,956 S	*	1/2004	Rachiele	D23/293.1
D492,983 S	*	7/2004	Rachiele	D23/293.1
D498,291 S	*	11/2004	Bayer	D23/290
D508,984 S	*	8/2005	Gordon	D23/293.1
D527,808 S	*	9/2006	Wozniczka et al.	D23/290
D546,929 S	*	7/2007	Schneider et al.	D23/290
D585,126 S	*	1/2009	Eilmus et al.	D23/290
D603,486 S	*	11/2009	Mayer et al.	D23/293.1

OTHER PUBLICATIONS

Rachiele; "Patented copper apron front sink with channel; "http://www.rachiele.com/copper_apron_sinks-with-patent.asp; retrieval date: Nov. 30, 2011; 3 pages.

* cited by examiner

Primary Examiner — Robert Delehanty

(74) *Attorney, Agent, or Firm* — Foley & Lardner LLP

(57) **CLAIM**

We claim the ornamental design for a sink, as shown and described.

DESCRIPTION

FIG. 1 is a top perspective view of an embodiment of the claimed design;

FIG. 2 is a top plan view of the claimed design of FIG. 1;

FIG. 3 is a bottom plan view of the claimed design of FIG. 1;

FIG. 4 is a front elevation view of the claimed design of FIG. 1;

FIG. 5 is a right-side elevation view of the claimed design of FIG. 1;

FIG. 6 is a rear elevation view of the claimed design of FIG. 1;

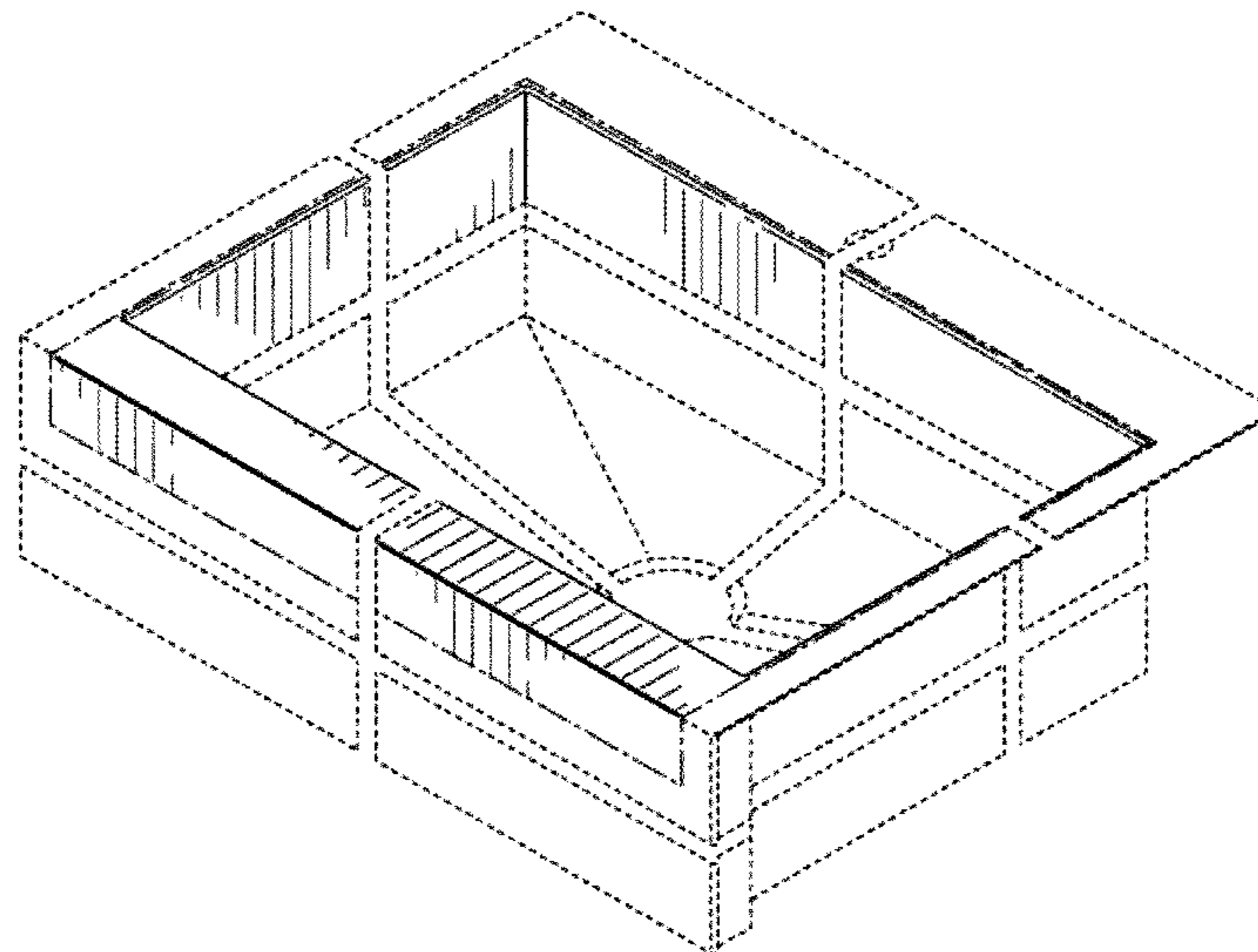
FIG. 7 is a cross-sectional view of the claimed design taken across line 7-7 in FIG. 2;

FIG. 8 is another cross-sectional view of the claimed design taken across line 8-8 in FIG. 2; and,

FIG. 9 is a detailed bottom perspective view of the claimed design of FIG. 1 showing a left end of a front apron.

The ornamental design which is claimed is shown in solid lines in the drawings. The broken lines in the drawings are for illustrative purposes only and form no part of the claimed design. The dash-dot lines in the drawings define boundaries of the claimed design and form no part thereof.

1 Claim, 6 Drawing Sheets



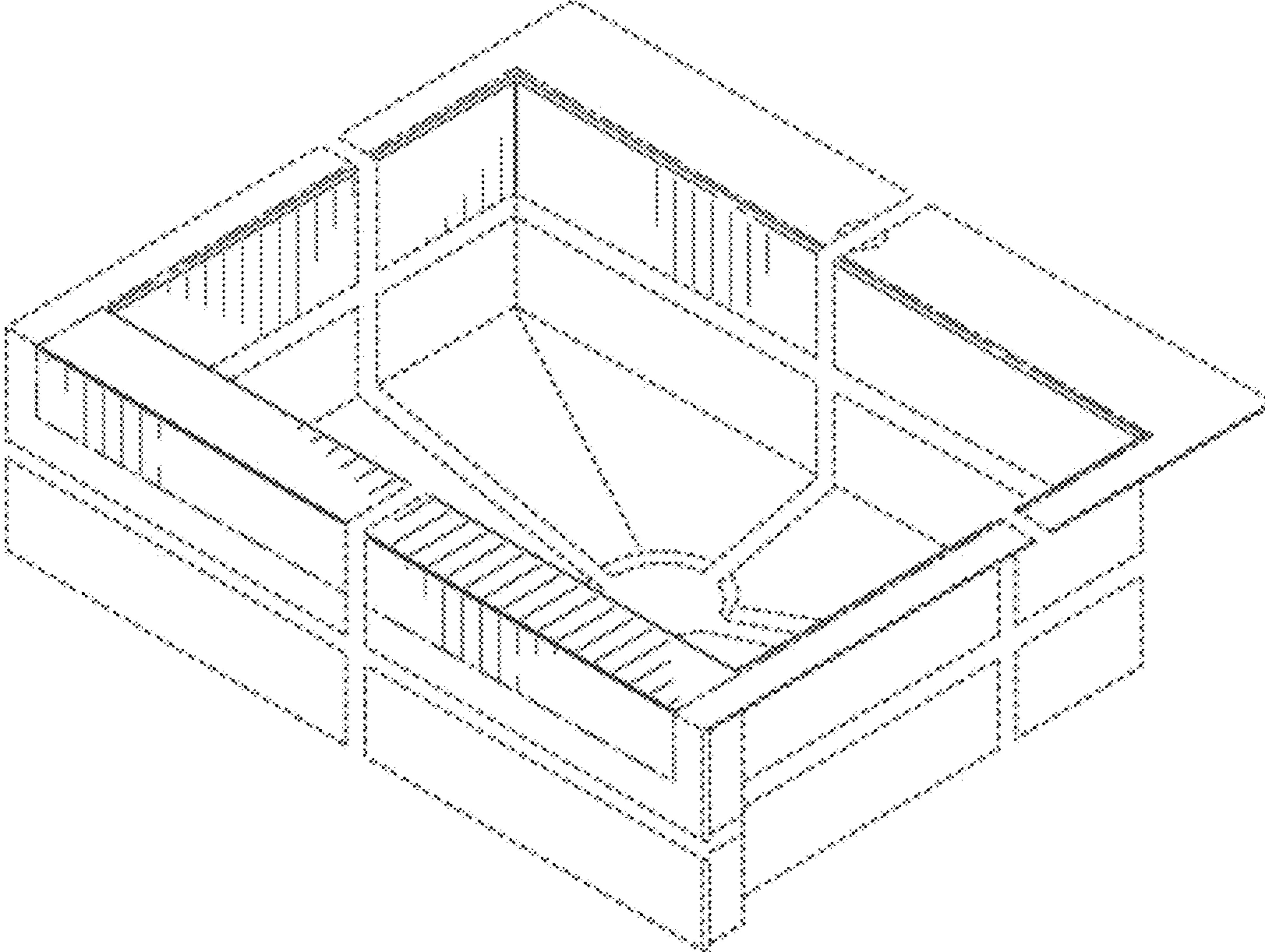


FIG. 1

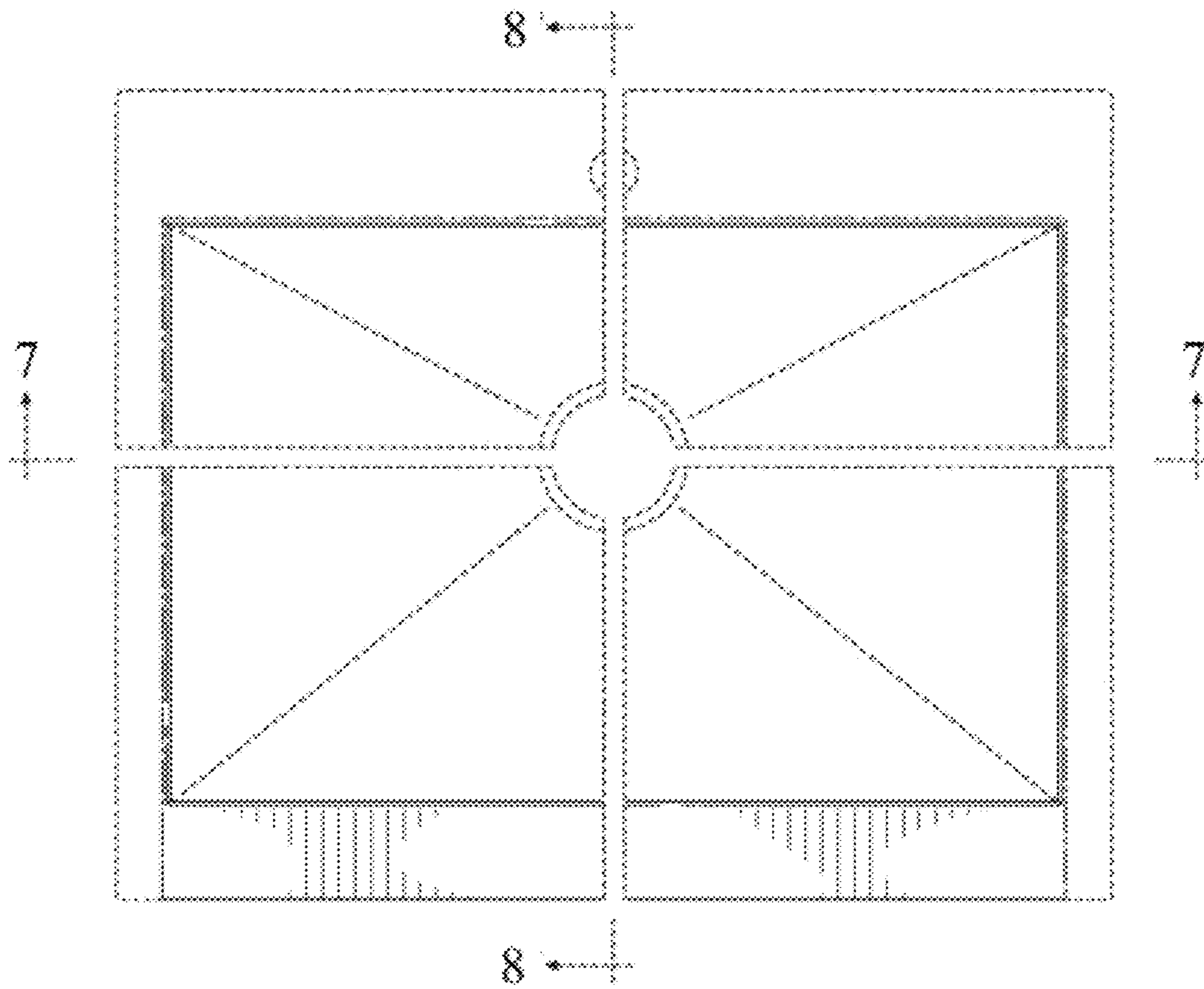


FIG. 2

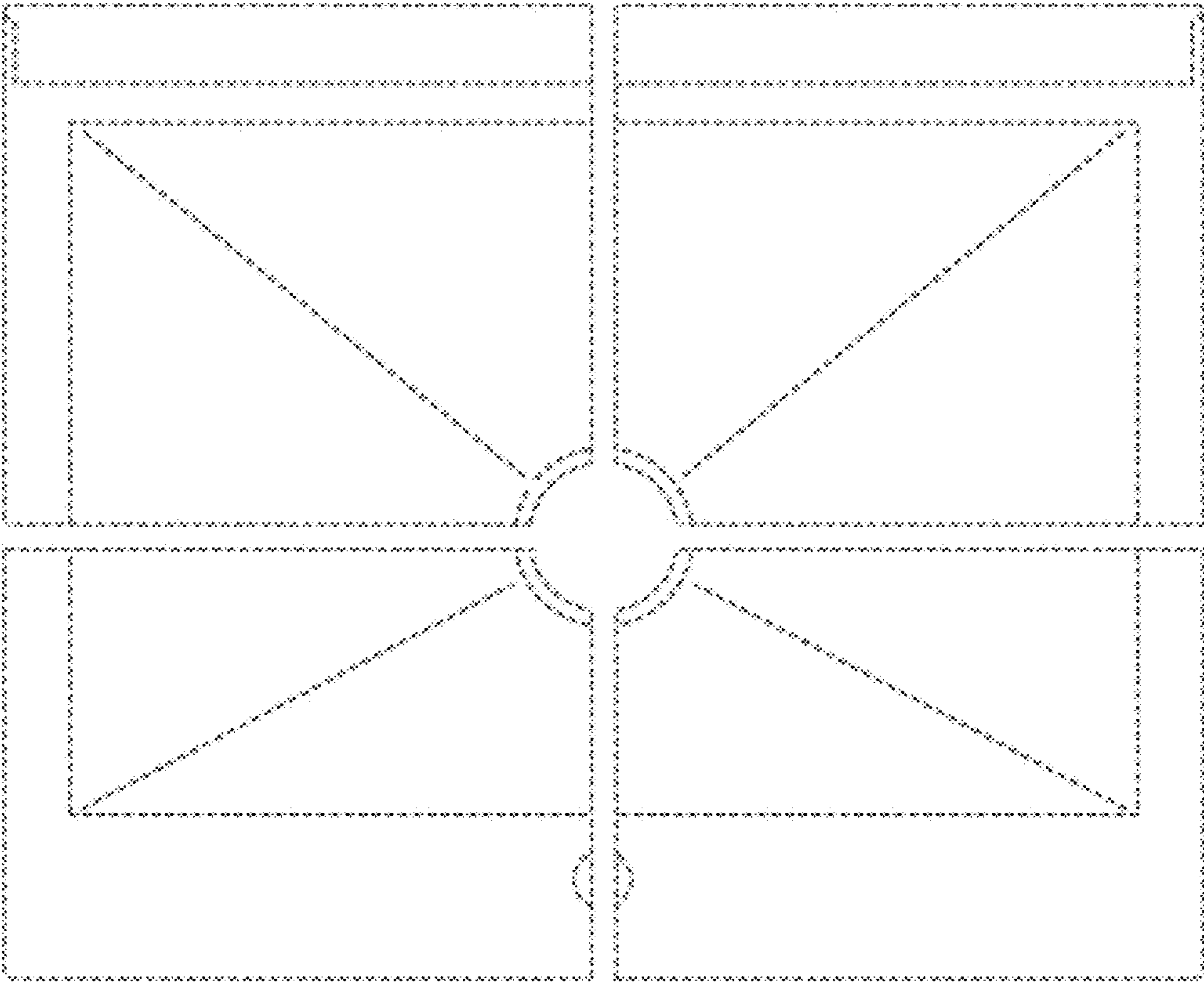


FIG. 3

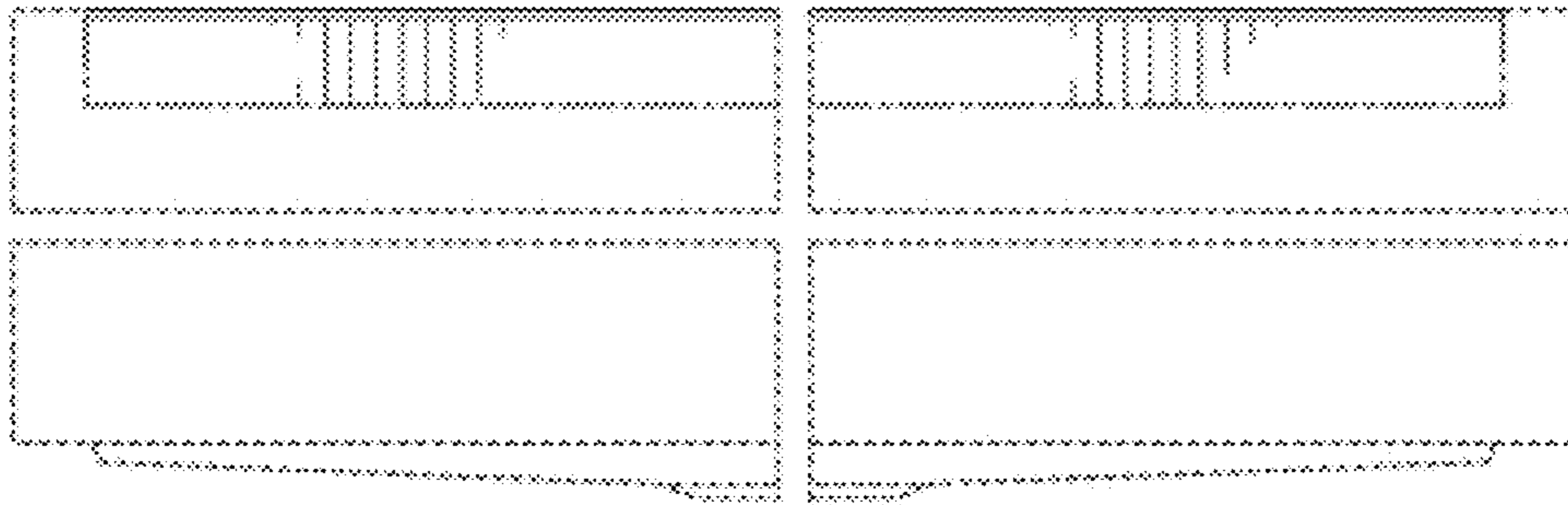


FIG. 4

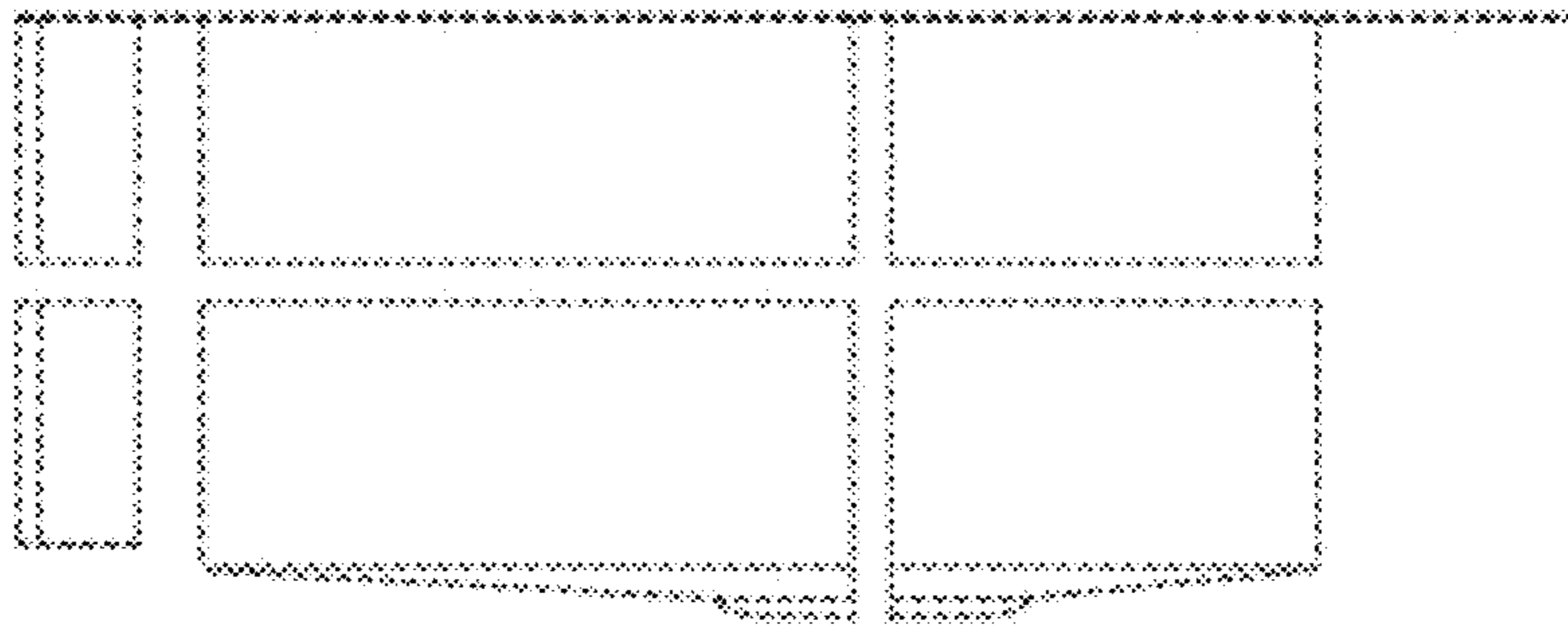


FIG. 5



FIG. 6

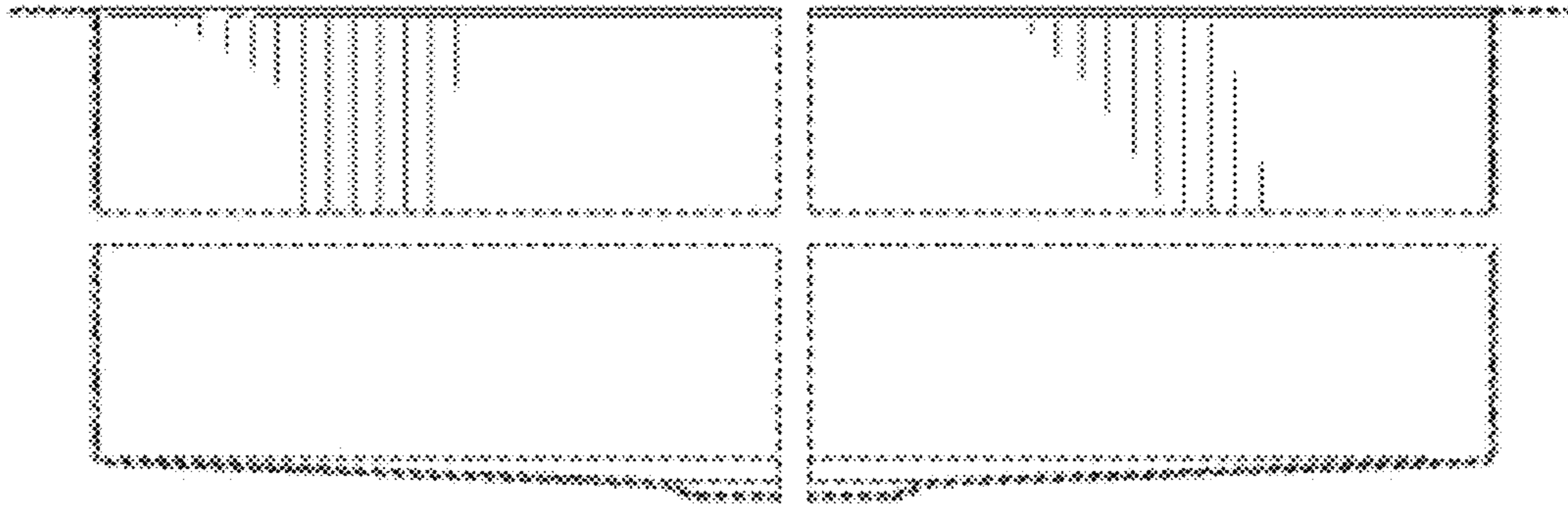


FIG. 7

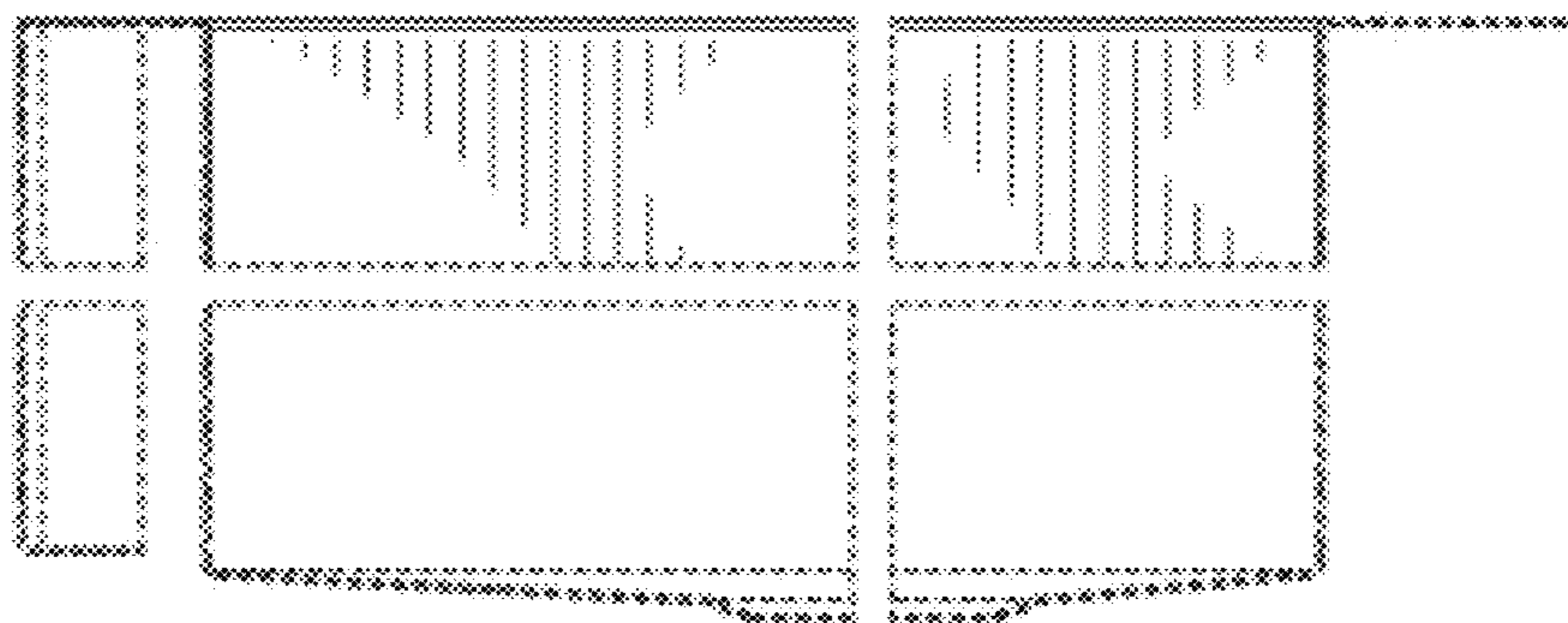


FIG. 8

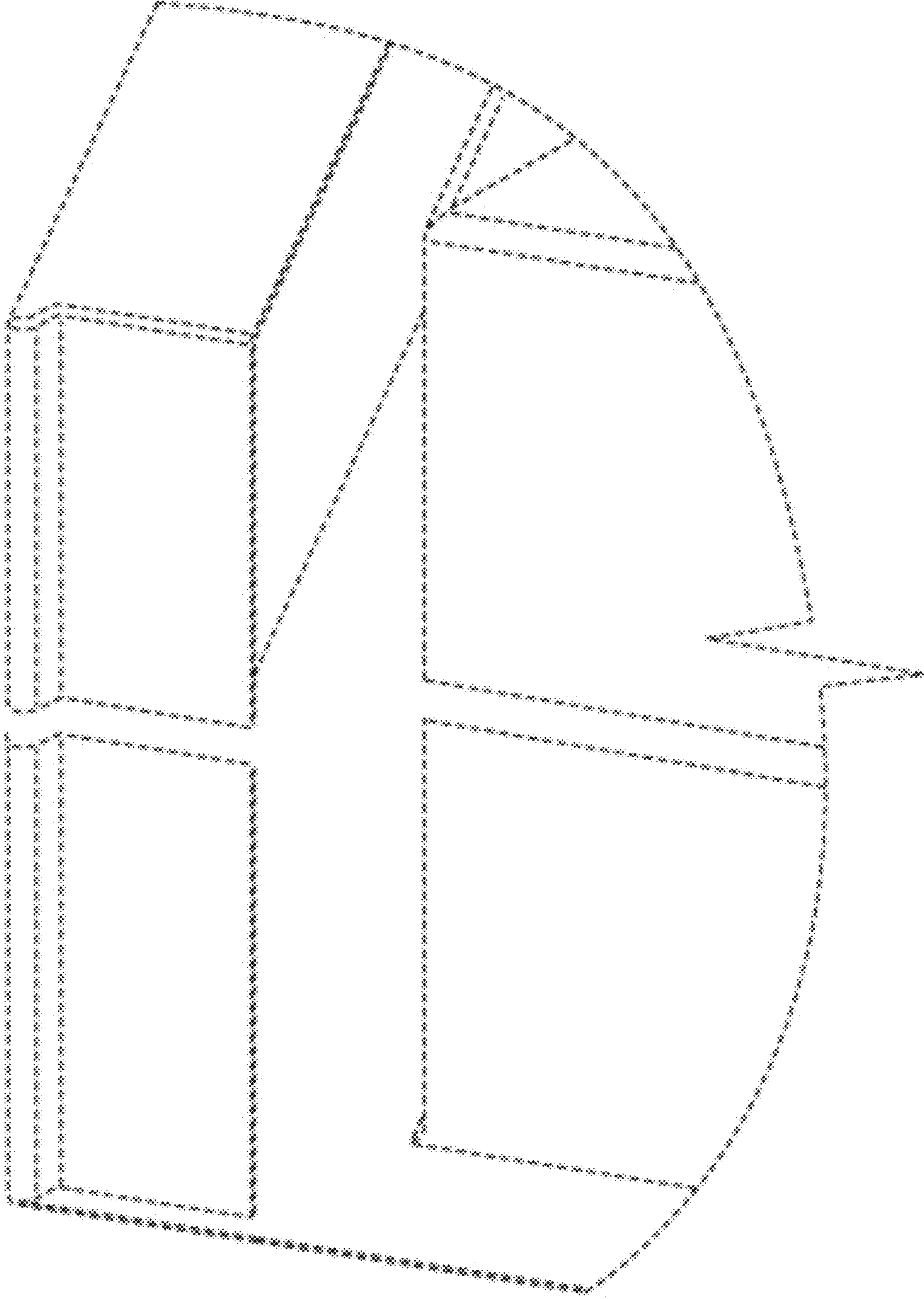


FIG. 9

UNITED STATES PATENT AND TRADEMARK OFFICE
CERTIFICATE OF CORRECTION

PATENT NO. : D675,300 S
APPLICATION NO. : 29/428614
DATED : January 29, 2013
INVENTOR(S) : Jason Miller et al.

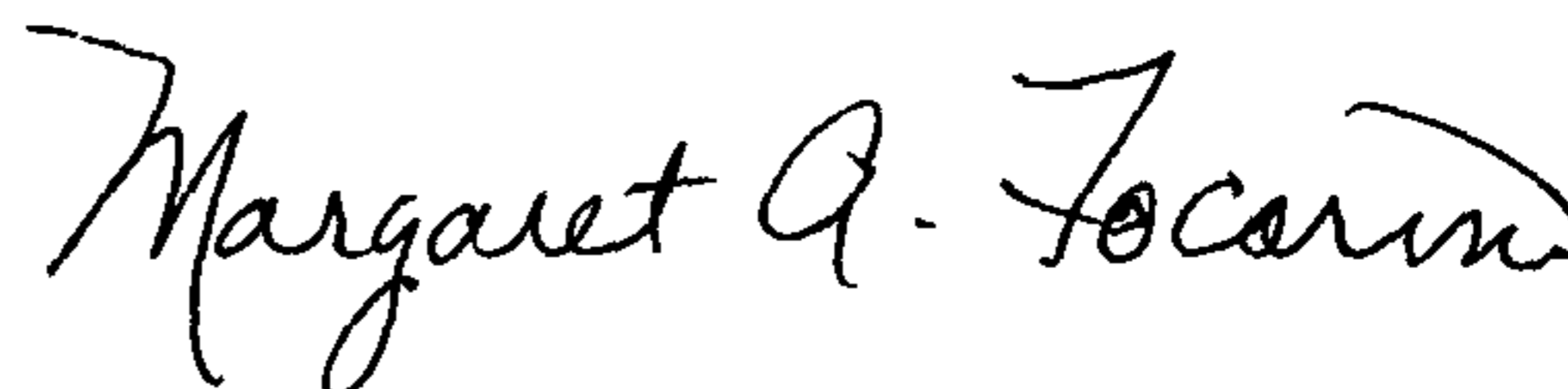
Page 1 of 7

It is certified that error appears in the above-identified patent and that said Letters Patent is hereby corrected as shown below:

In the Drawings:

Replace figures 1-9 with the attached figures.

Signed and Sealed this
Seventh Day of January, 2014



Margaret A. Focarino
Commissioner for Patents of the United States Patent and Trademark Office

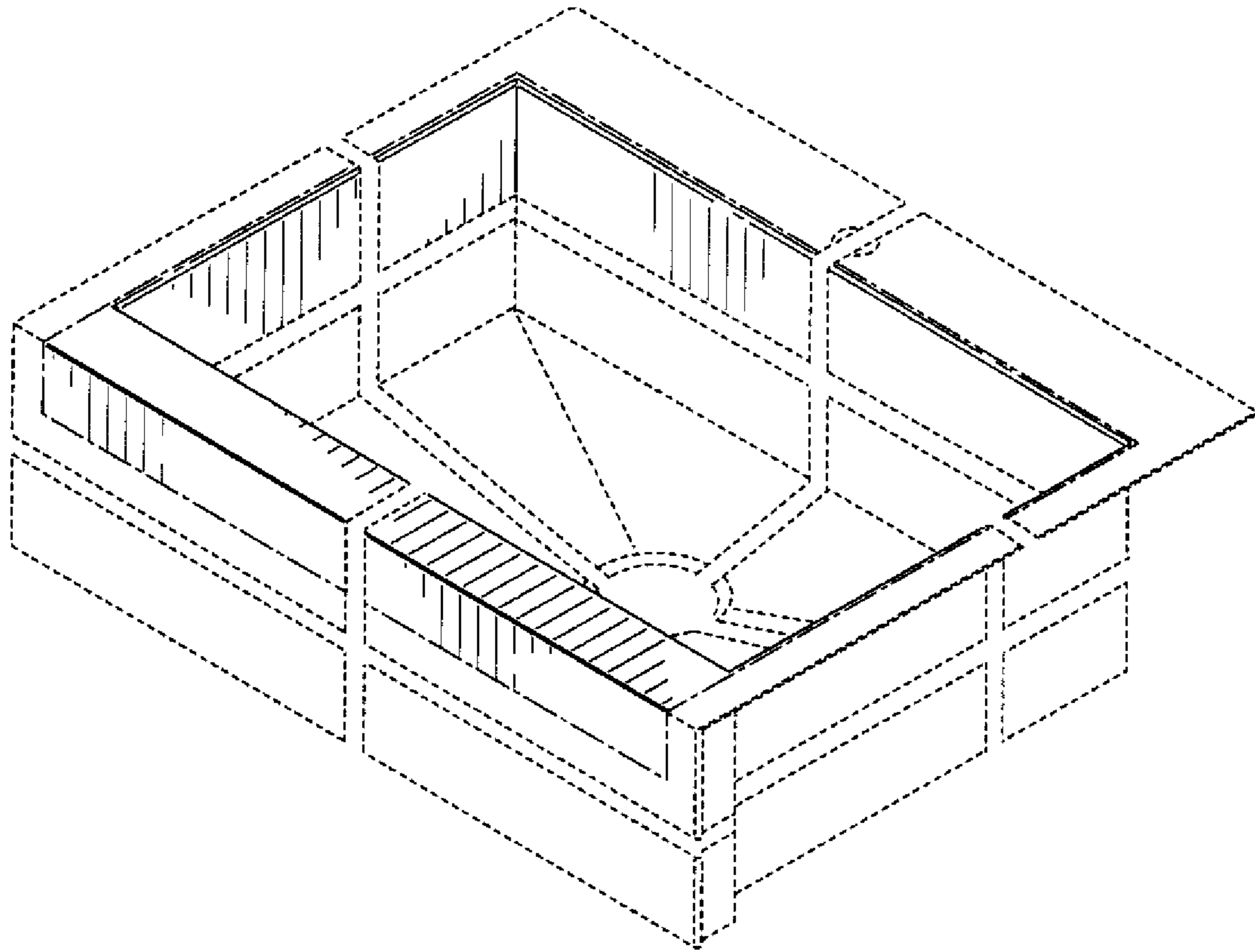


FIG. 1

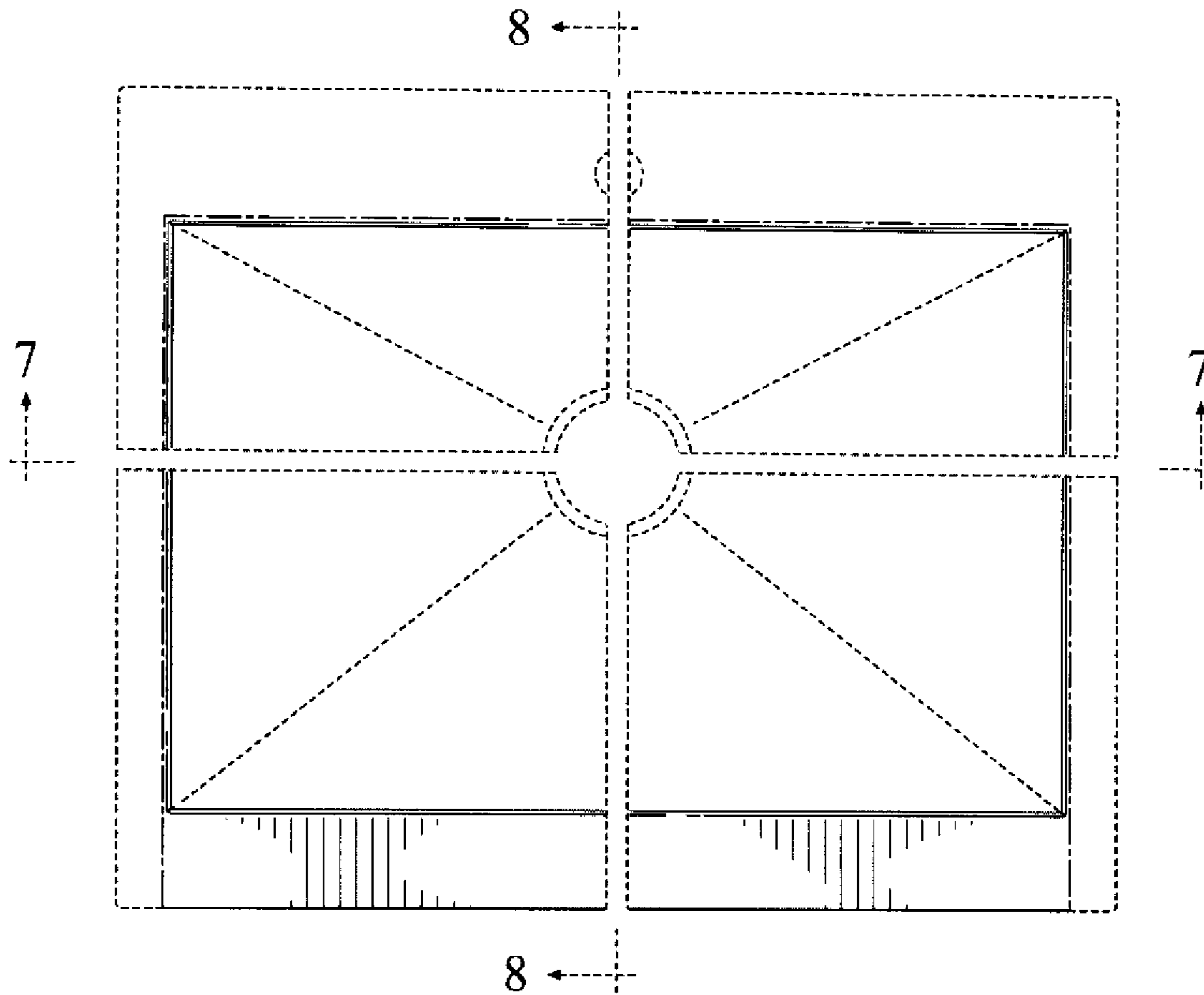


FIG. 2

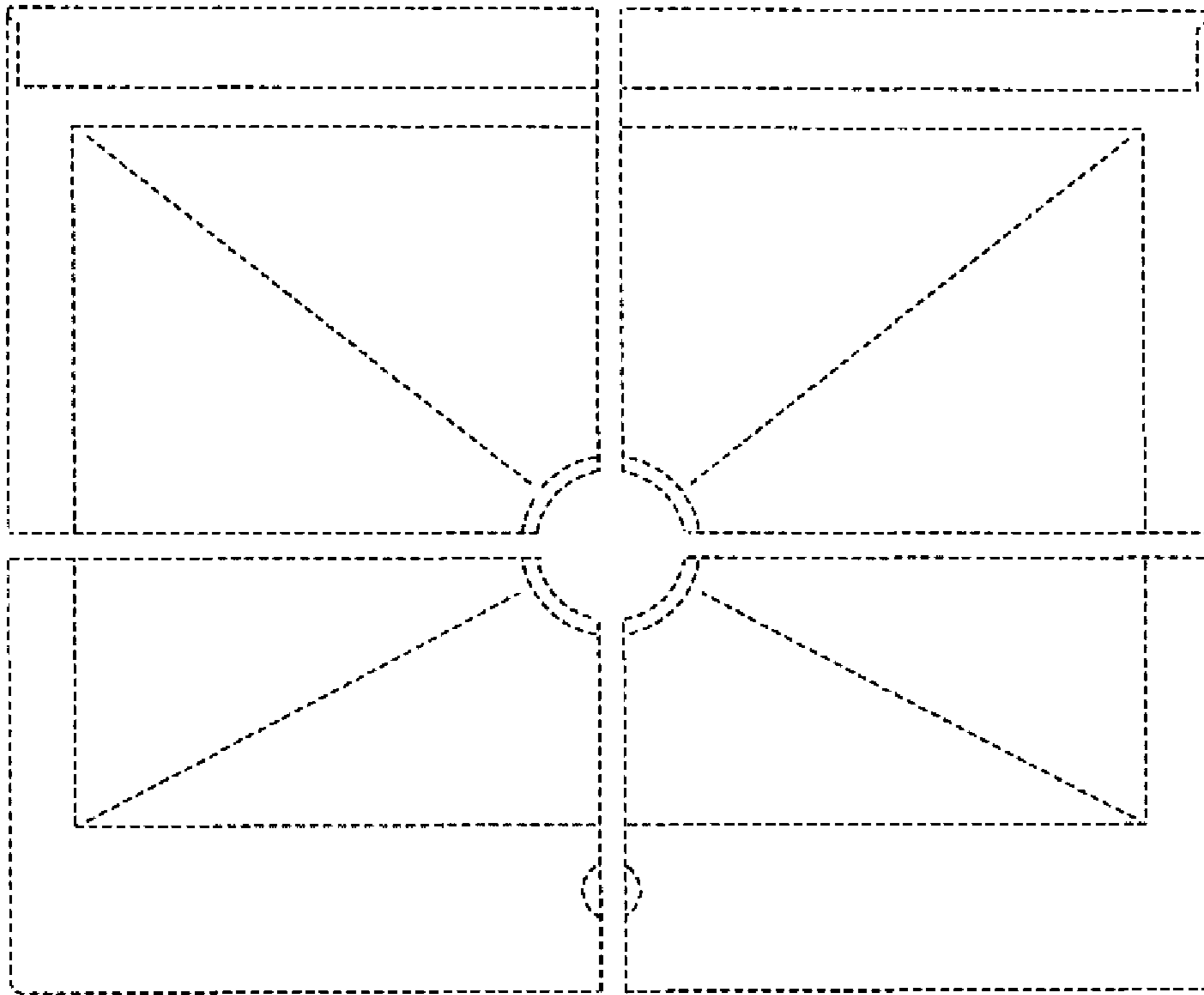


FIG. 3

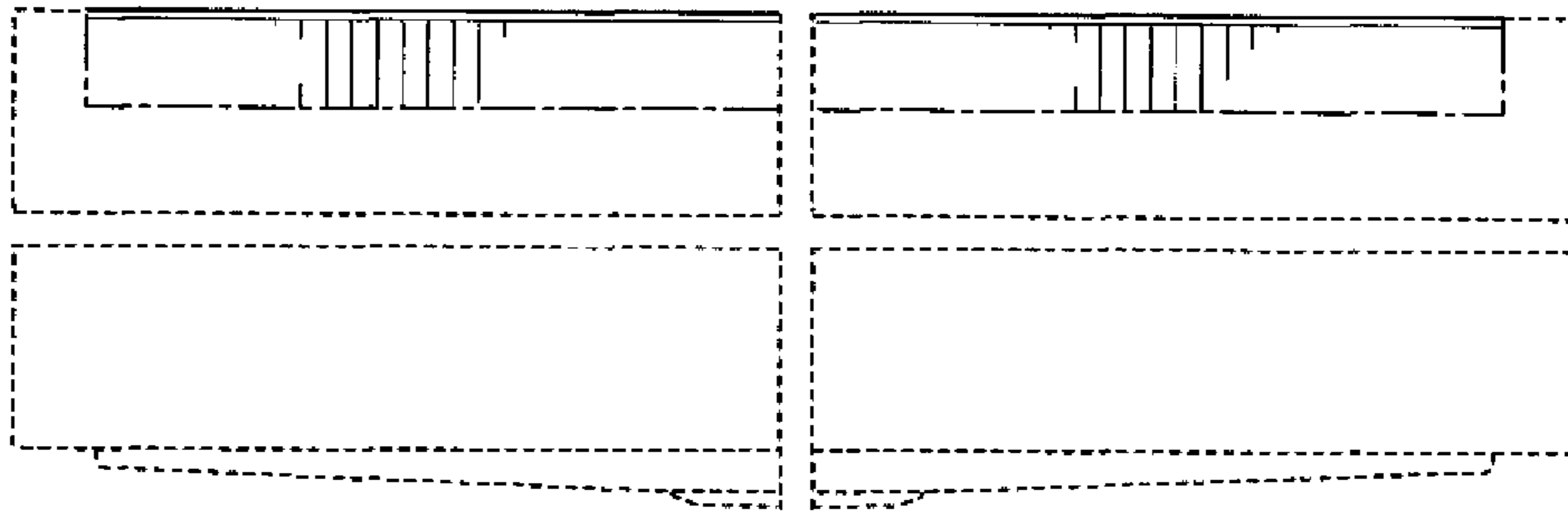


FIG. 4

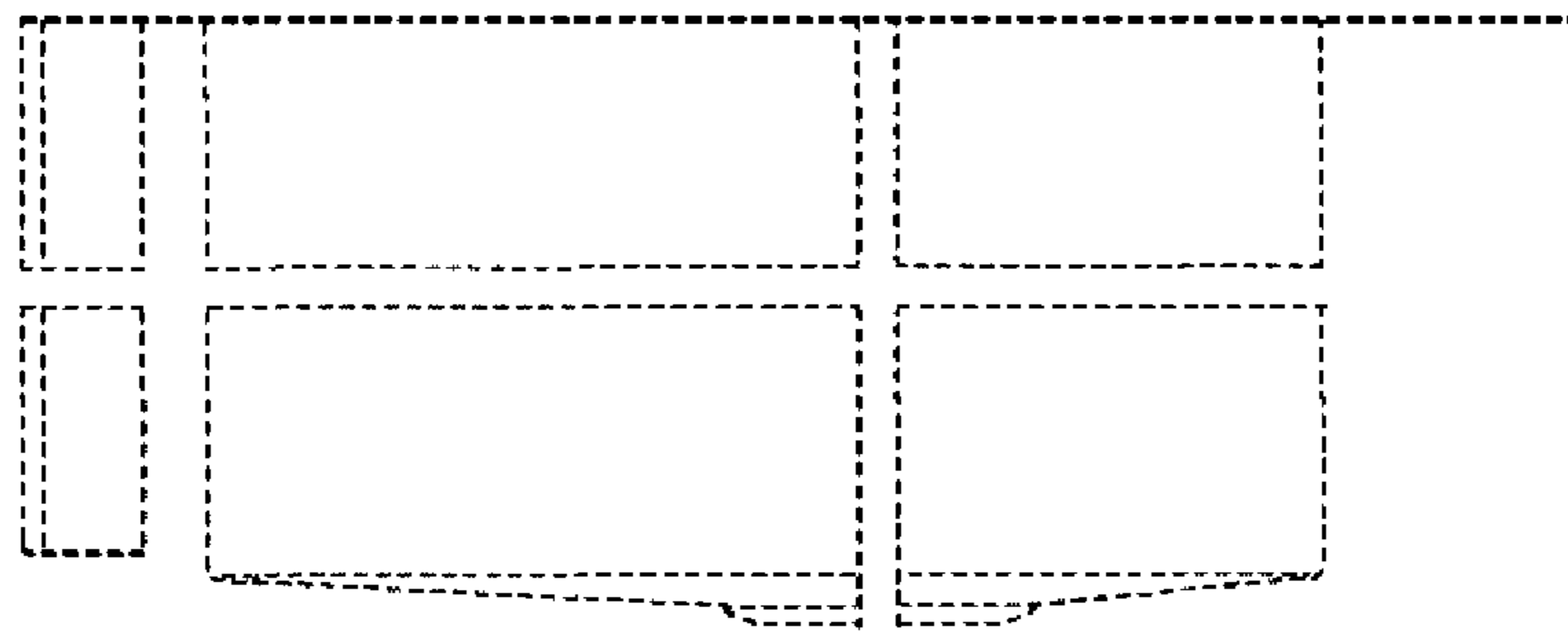


FIG. 5

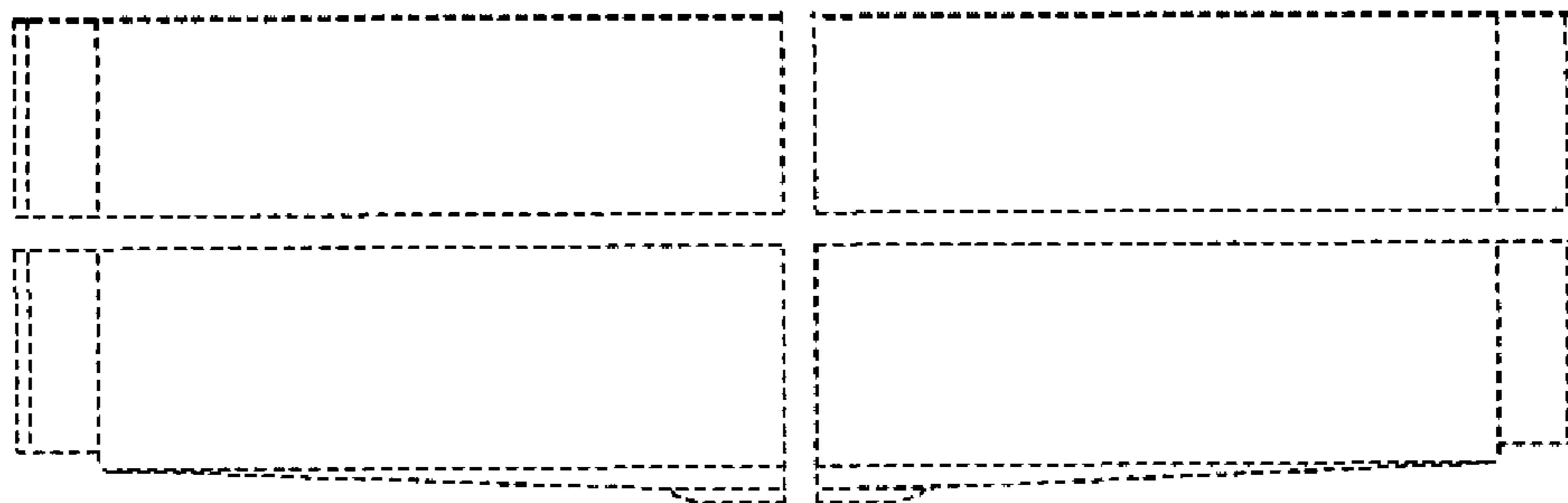


FIG. 6

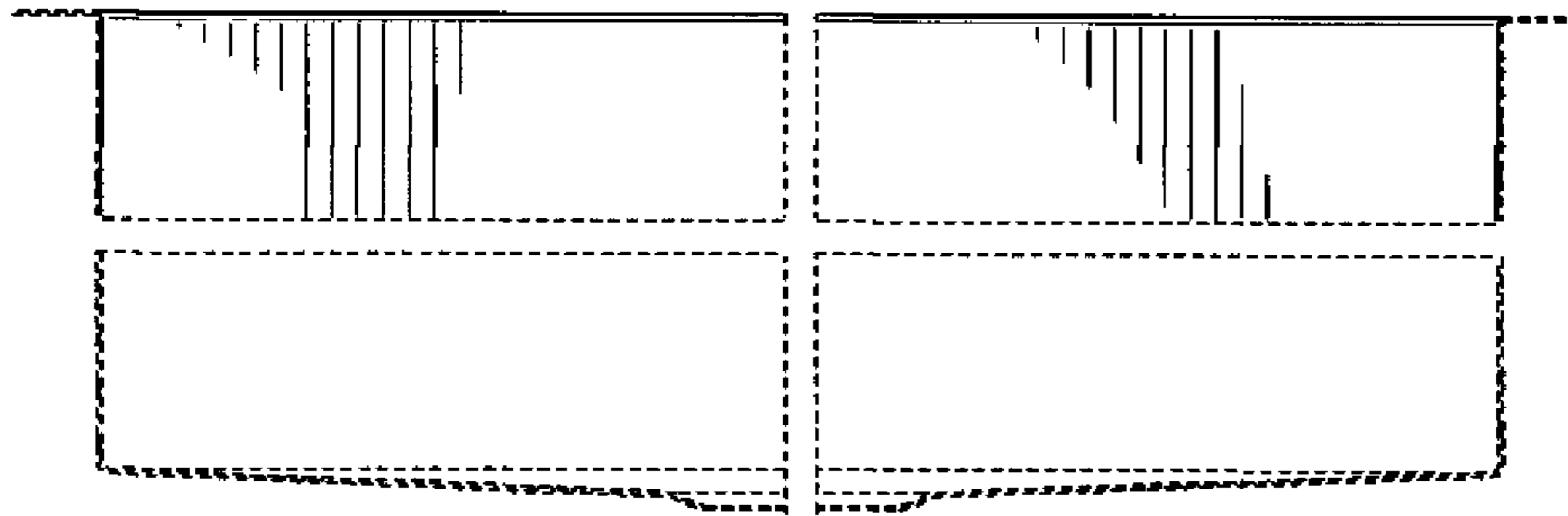


FIG. 7

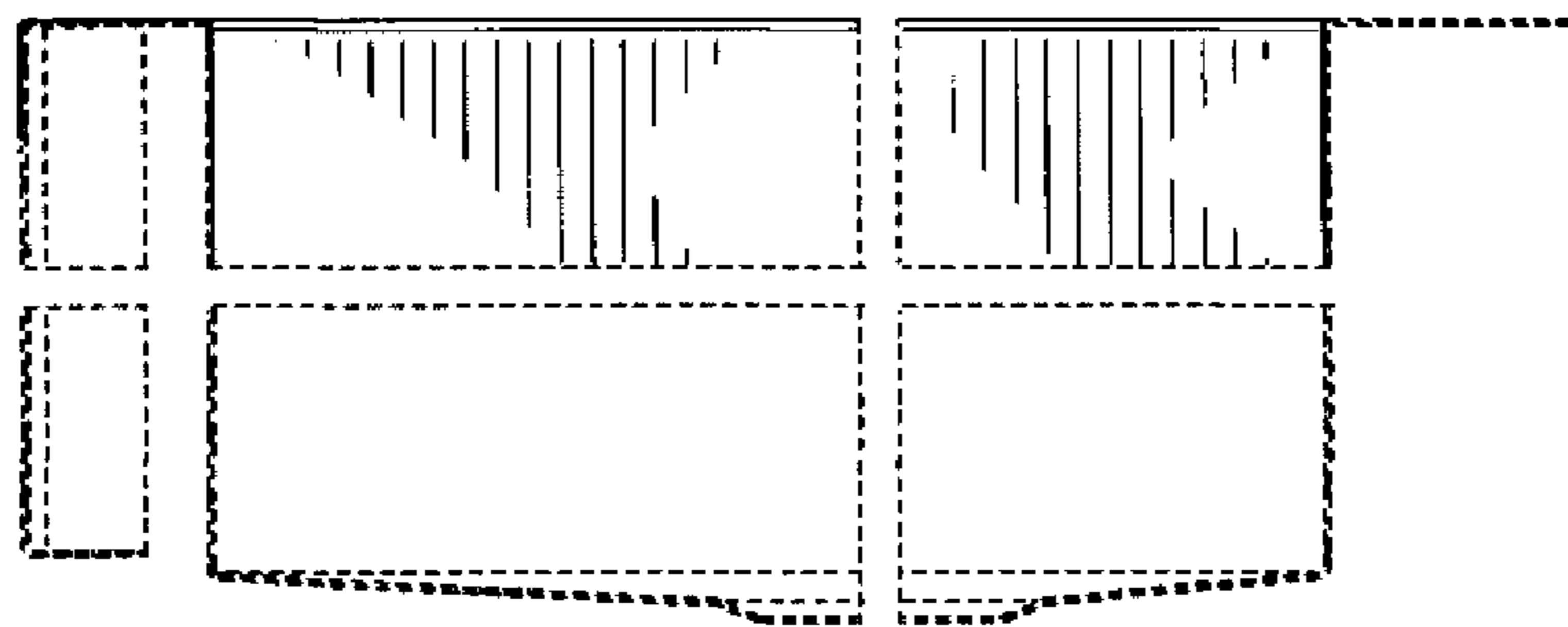


FIG. 8

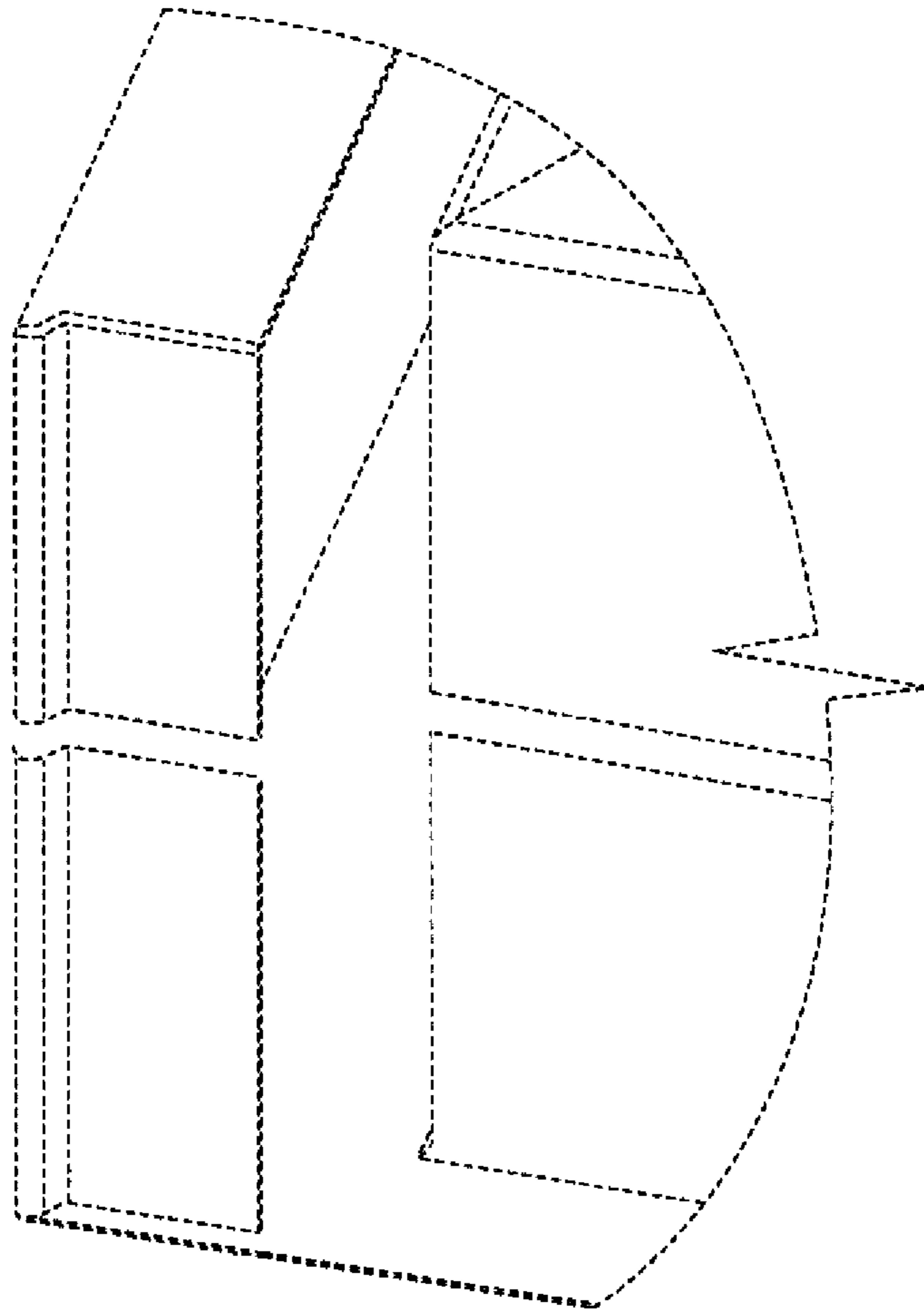


FIG. 9