



US00D675299S

(12) **United States Design Patent**
McKenzie

(10) **Patent No.:** **US D675,299 S**

(45) **Date of Patent:** **** Jan. 29, 2013**

(54) **MANIFOLD WITH TWO SIDED PORTS**

(76) Inventor: **Daniel McKenzie**, Georgetown (CA)

(**) Term: **14 Years**

(21) Appl. No.: **29/419,930**

(22) Filed: **May 3, 2012**

(51) **LOC (9) Cl.** **23-01**

(52) **U.S. Cl.** **D23/266; D15/5**

(58) **Field of Classification Search** **D23/266,**
D23/263; 137/881-887, 893, 561 A, 597;
D15/9

See application file for complete search history.

(56) **References Cited**

U.S. PATENT DOCUMENTS

D453,953 S *	2/2002	Pearl	D23/213
7,021,671 B2 *	4/2006	Evans	285/125.1
7,243,684 B1 *	7/2007	Chen	137/883
D557,282 S *	12/2007	Miller et al.	D15/5
D557,283 S *	12/2007	Miller et al.	D15/5
D557,284 S *	12/2007	Miller et al.	D15/5
D570,373 S *	6/2008	Miller et al.	D15/5
D570,880 S *	6/2008	Miller et al.	D15/5
D601,586 S *	10/2009	Stamler	D15/5

D602,044 S *	10/2009	Steinfels et al.	D15/5
D648,350 S *	11/2011	Steinfels	D15/5
2008/0276998 A1 *	11/2008	Boyher et al.	137/561 A

* cited by examiner

Primary Examiner — T. Chase Nelson

Assistant Examiner — Ania Aman

(57) **CLAIM**

The ornamental design for a manifold with two sided ports, as shown and described.

DESCRIPTION

FIG. 1 is a left side top front perspective view of the present design a manifold with two sided ports.

FIG. 2 is a right side top front perspective view of the manifold with two sided ports shown in FIG. 1.

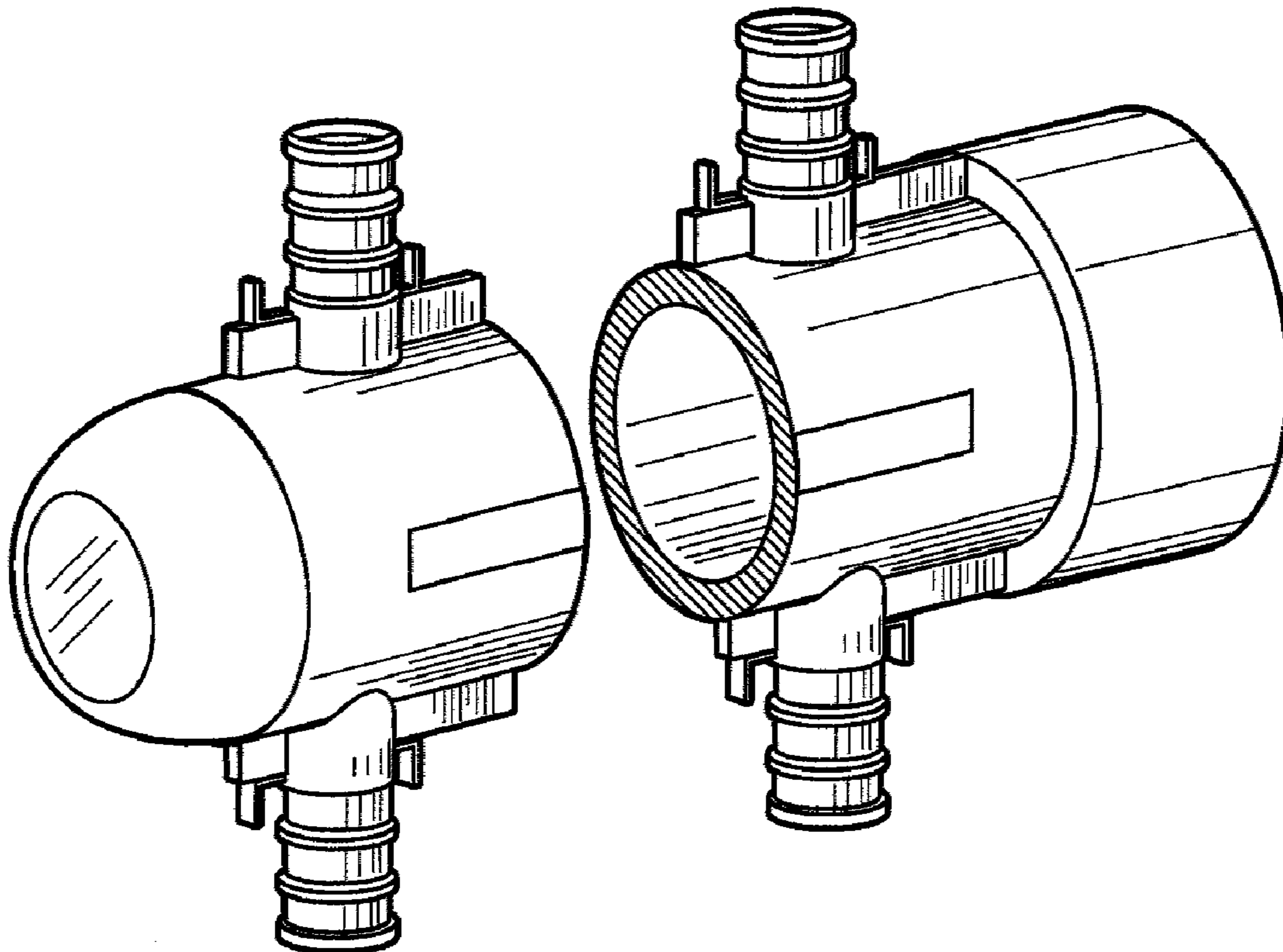
FIG. 3 is a left end elevational view of the manifold with two sided ports shown in FIG. 1; and,

FIG. 4 is a right end elevational view of the manifold with two sided ports shown in FIG. 1.

The ports are repeated at regular intervals throughout the length of the article.

The cut away portion in the drawings indicates the appearance of any portion of the article between the cut away lines forms no part of the claimed design.

1 Claim, 3 Drawing Sheets



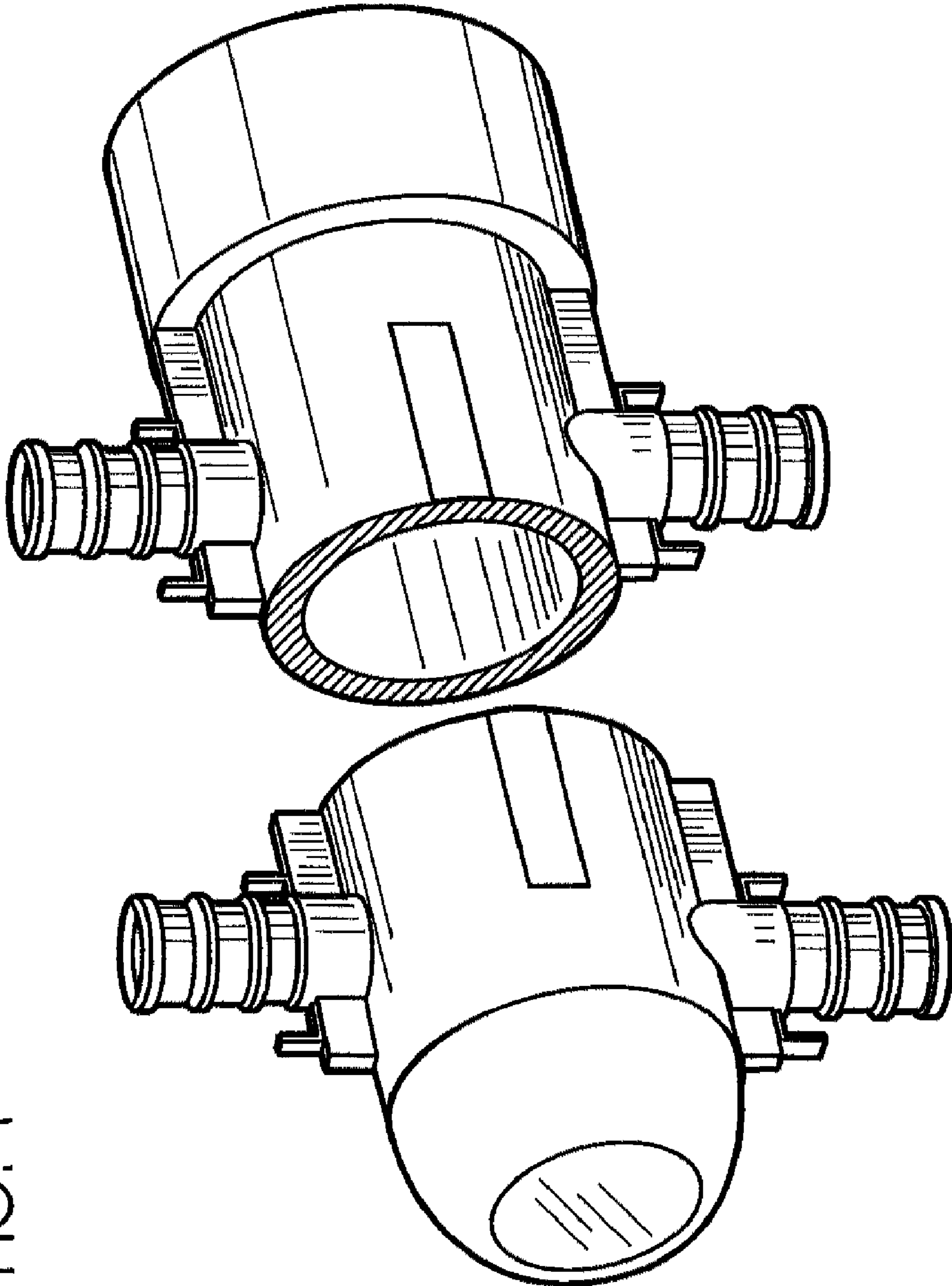


FIG. 1

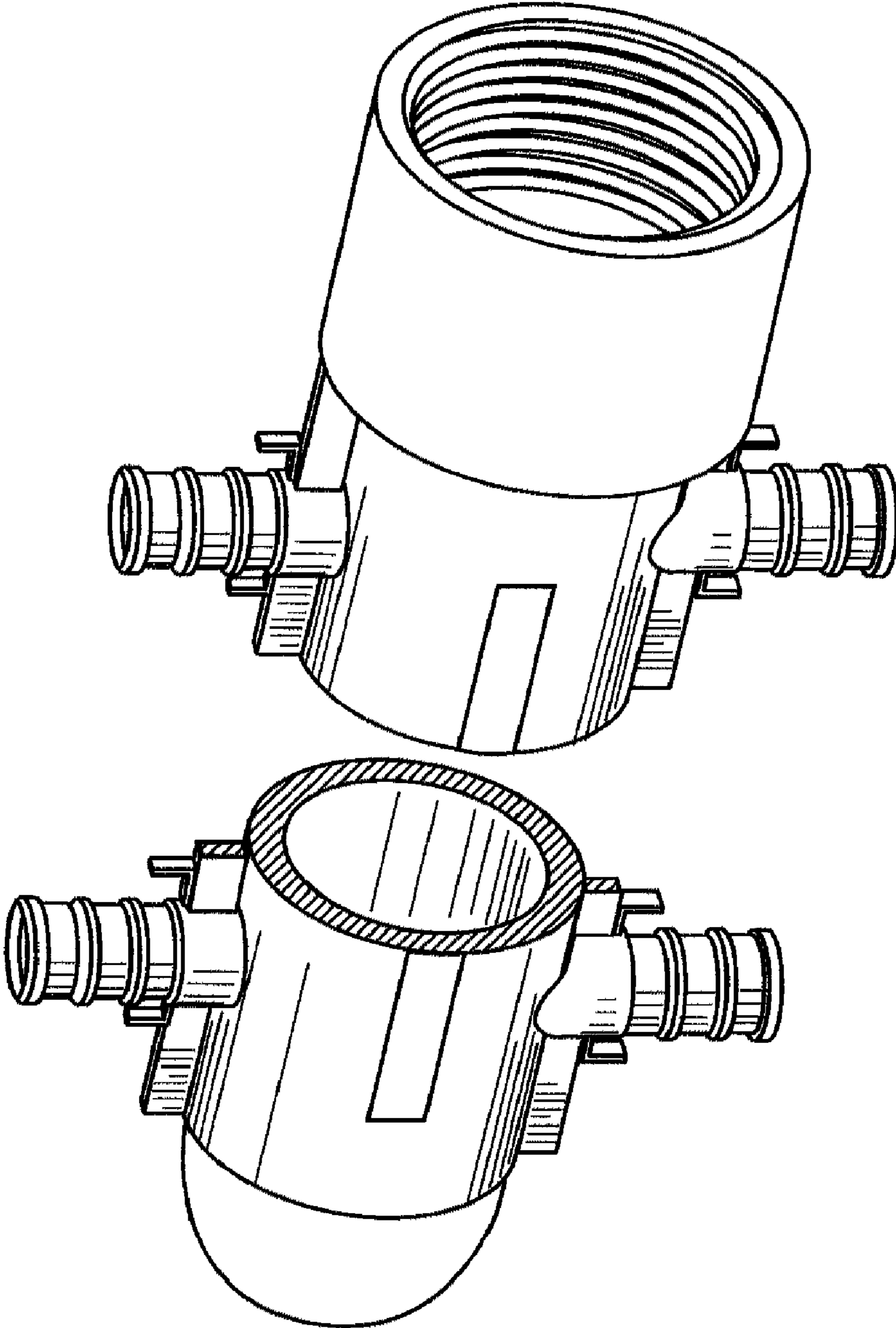


FIG. 2

FIG. 4

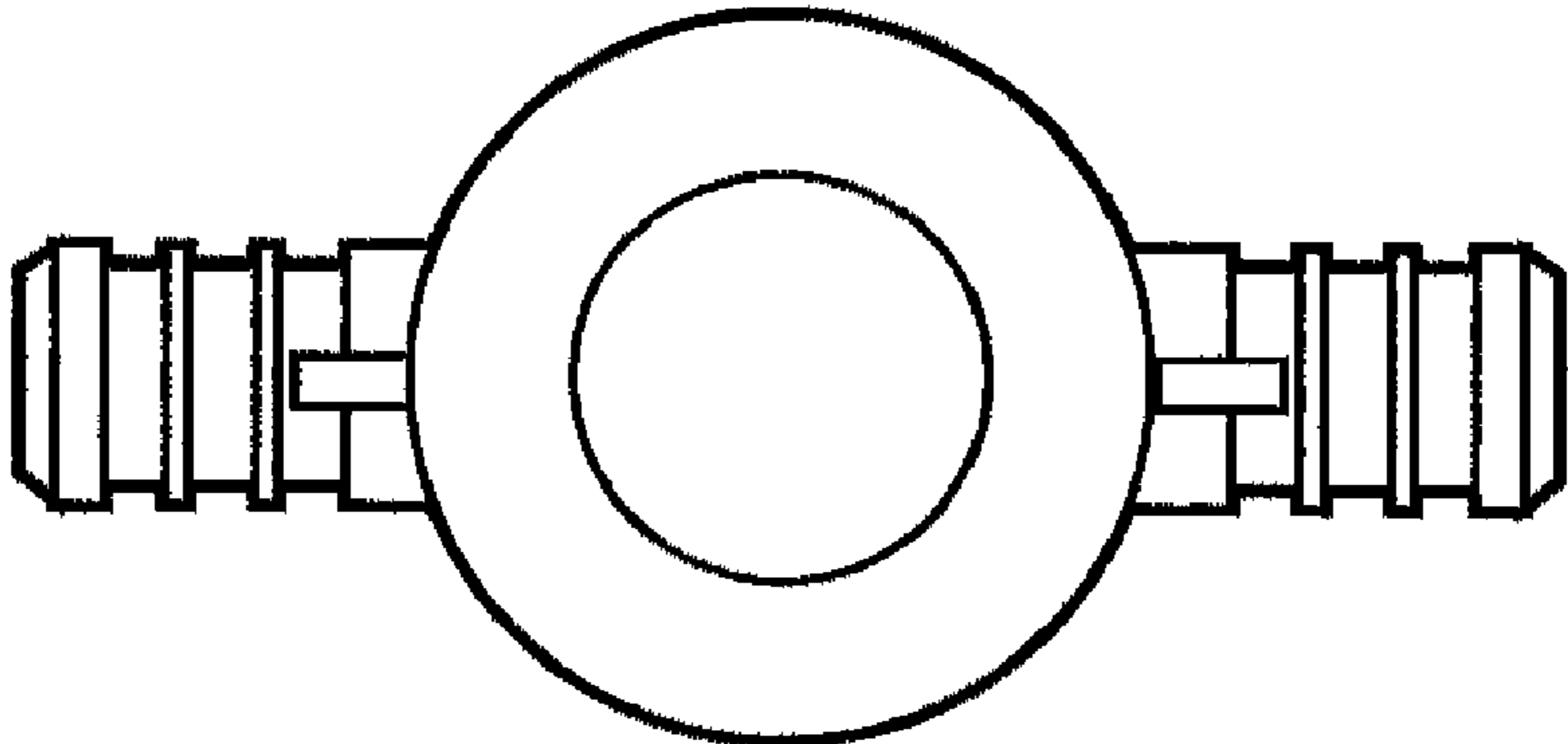


FIG. 3

