



US00D675298S

(12) **United States Design Patent**
Gridley

(10) **Patent No.:** **US D675,298 S**

(45) **Date of Patent:** **** Jan. 29, 2013**

(54) **WATER PIPE ASSEMBLY FOR PUMP TRAINING**

(76) Inventor: **Clayton Anthony Gridley**, Canton, GA (US)

(**) Term: **14 Years**

(21) Appl. No.: **29/416,730**

(22) Filed: **Mar. 26, 2012**

Related U.S. Application Data

(62) Division of application No. 13/430,576, filed on Mar. 26, 2012.

(51) **LOC (9) Cl.** **23-01**

(52) **U.S. Cl.** **D23/266**

(58) **Field of Classification Search** D23/263, D23/266; 285/179; 138/111, 118, 119, 123, 138/155, 158, 167, 177, DIG. 8
See application file for complete search history.

(56) **References Cited**

U.S. PATENT DOCUMENTS

291,372	A *	1/1884	McCausland	285/238
930,984	A *	8/1909	McGrath et al.	285/147.1
4,139,033	A	2/1979	Brown		
5,017,054	A *	5/1991	Gideon et al.	406/191
5,718,461	A *	2/1998	Esser	285/179
6,141,958	A *	11/2000	Voss	60/272
6,386,049	B1	5/2002	Schrumm		
D509,885	S *	9/2005	Cole	D23/266
7,032,621	B2 *	4/2006	Keyes	138/120
7,036,676	B2	5/2006	Christensen		
7,143,788	B2 *	12/2006	Keyes	138/120
D601,230	S *	9/2009	Misir	D23/266
7,644,776	B2	1/2010	Holley et al.		

7,827,860	B2	11/2010	Weis		
8,127,799	B2 *	3/2012	Cortez	138/97
2008/0173367	A1 *	7/2008	Keyes	138/149
2010/0229990	A1 *	9/2010	Cortez	138/97

* cited by examiner

Primary Examiner — Eric Goodman

(74) *Attorney, Agent, or Firm* — Crose Law LLC; Bradley D. Crose

(57) **CLAIM**

The ornamental design for a water pipe assembly for pump training, as shown and described.

DESCRIPTION

FIG. 1 is a front perspective view of a water pipe assembly for pump training, illustrating the new, original, and ornamental design;

FIG. 2 is a first side view of a water pipe assembly for pump training, illustrating the new, original, and ornamental design;

FIG. 3 is a second side view of a water pipe assembly for pump training, illustrating the new, original, and ornamental design;

FIG. 4 is a first end view of a water pipe assembly for pump training, illustrating the new, original, and ornamental design; and,

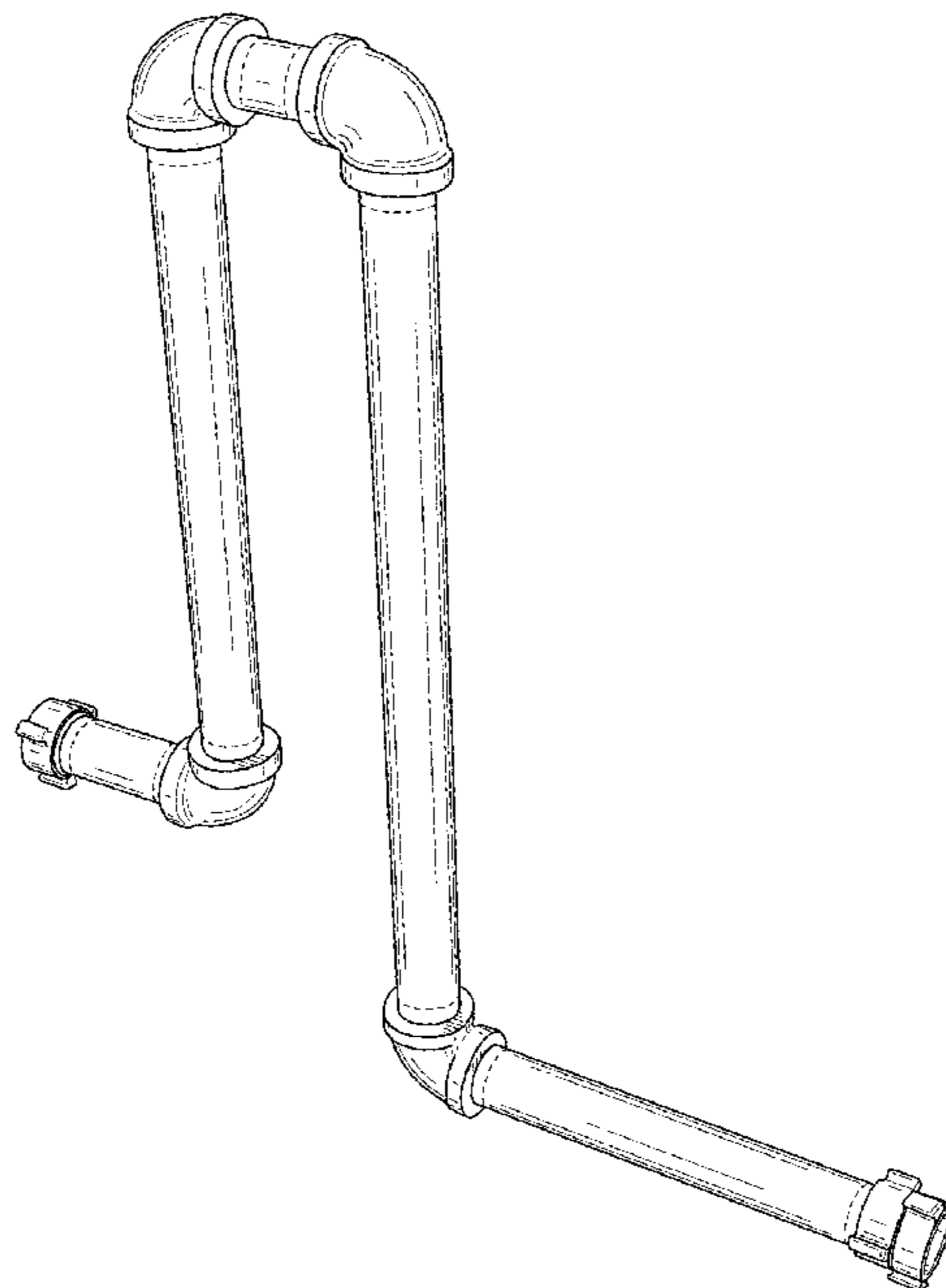
FIG. 5 is a second end view of a water pipe assembly for pump training, illustrating the new, original, and ornamental design.

FIG. 6 is a top view of a water pipe assembly for pump training, illustrating the new, original, and ornamental design; and,

FIG. 7 is a bottom view of a water pipe assembly for pump training, illustrating the new, original, and ornamental design.

In the drawings, the broken lines depict portions of the design that form no part of the claim.

1 Claim, 7 Drawing Sheets



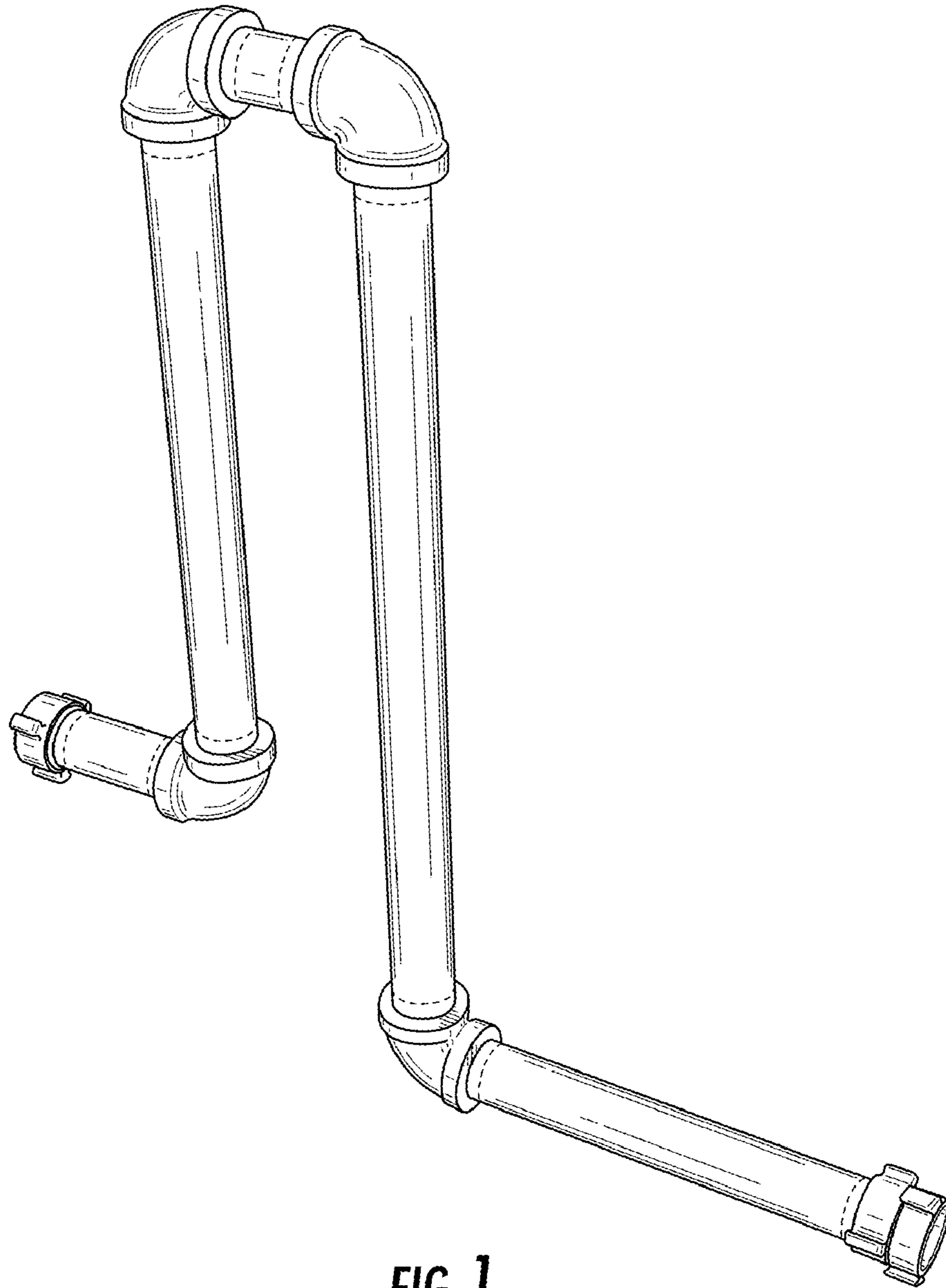


FIG. 1

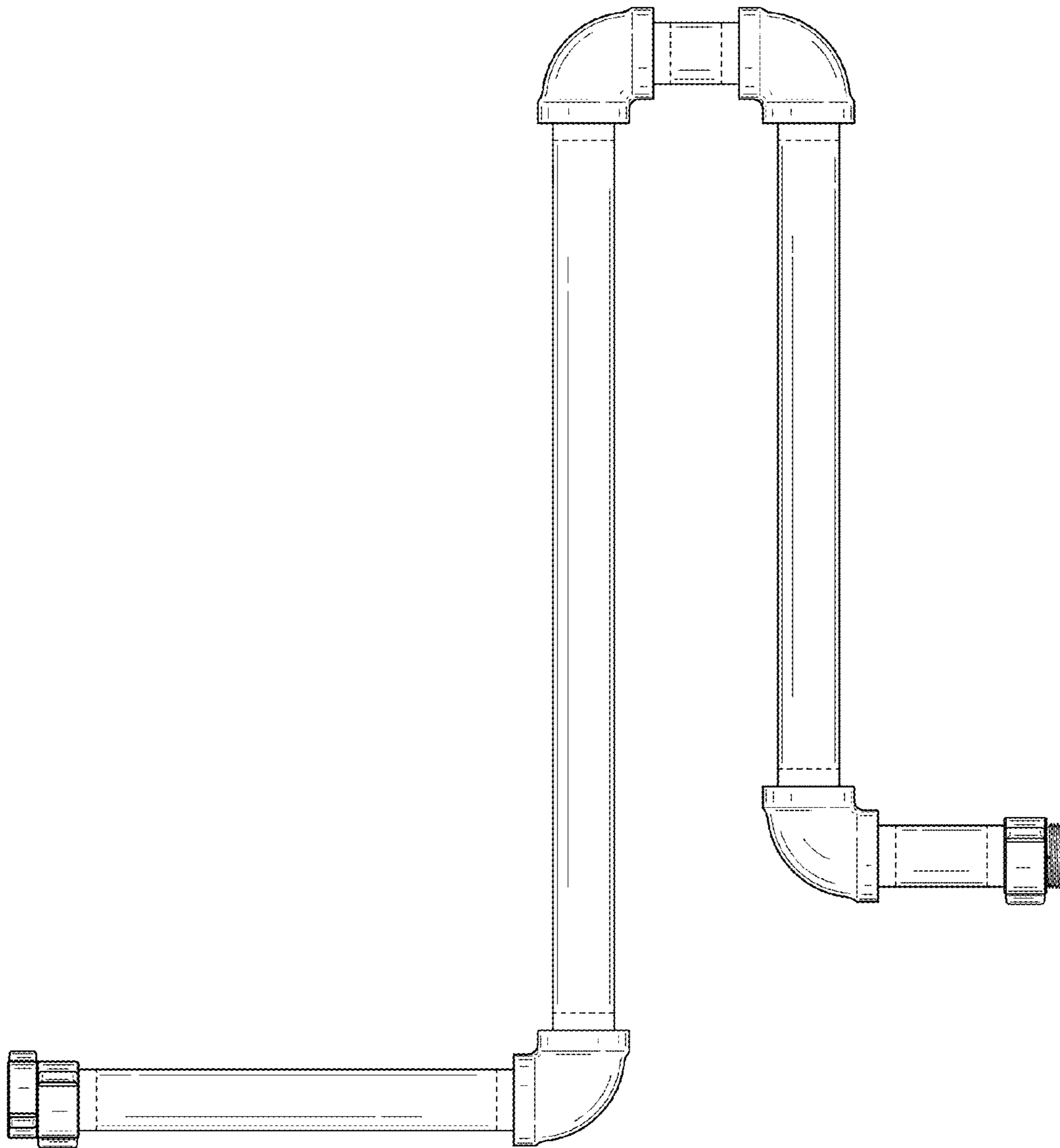


FIG. 2

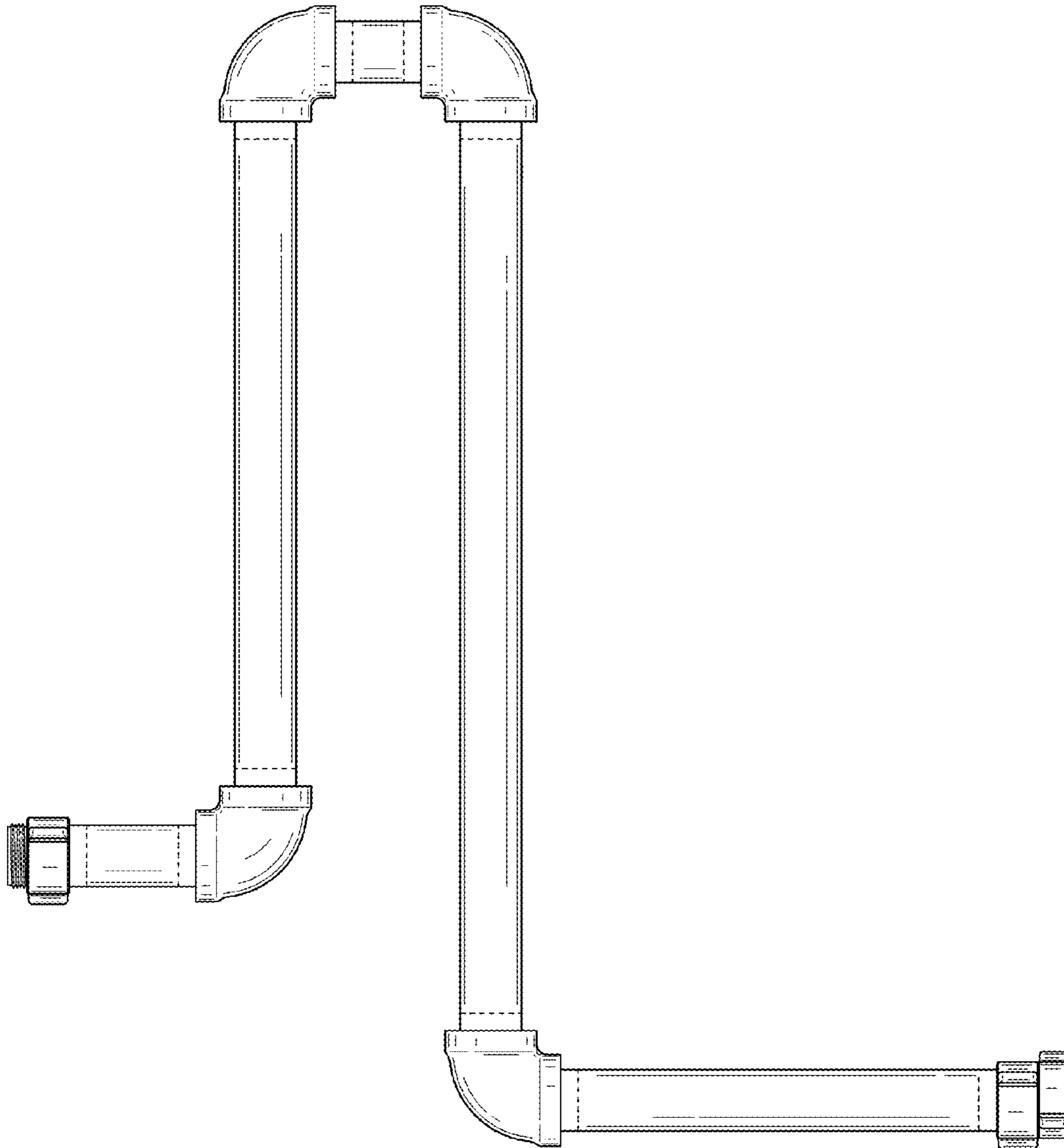


FIG. 3

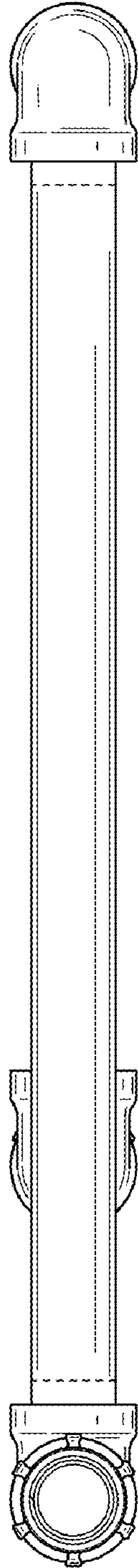


FIG. 4

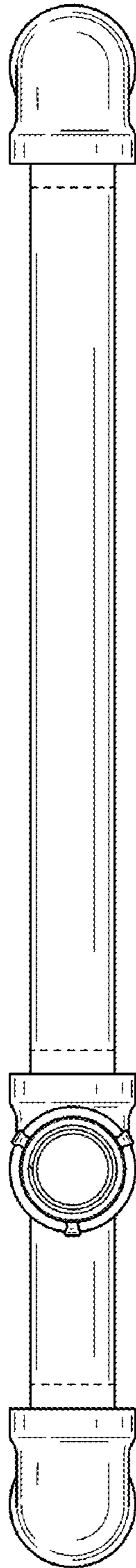


FIG. 5

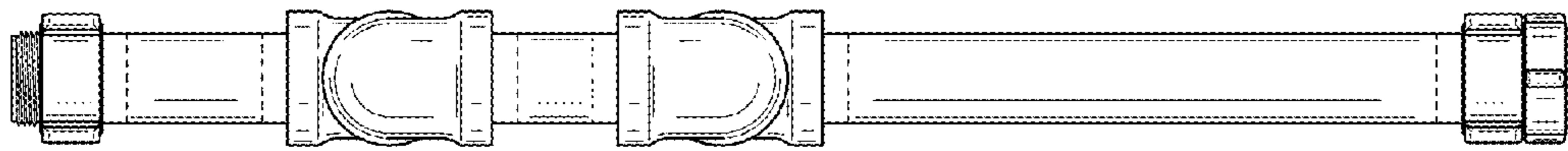


FIG. 6

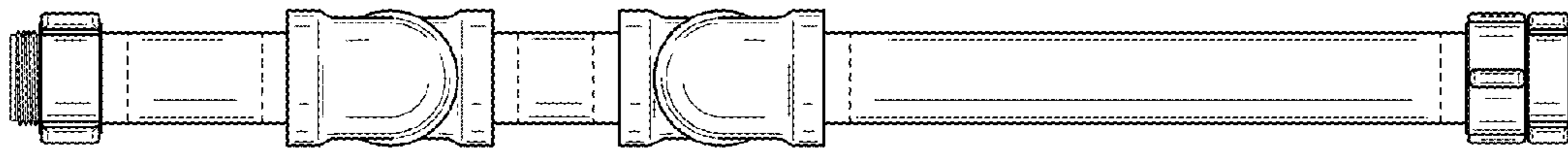


FIG. 7