



US00D675295S

(12) **United States Design Patent**  
**Mitchell**

(10) **Patent No.:** **US D675,295 S**  
(45) **Date of Patent:** **\*\* Jan. 29, 2013**

- (54) **PIPE FITTING APPARATUS**
- (76) Inventor: **James D. Mitchell**, Hermosa Beach, CA (US)
- (\*\*) Term: **14 Years**
- (21) Appl. No.: **29/428,375**
- (22) Filed: **Jul. 30, 2012**

**Related U.S. Application Data**

- (62) Division of application No. 29/375,510, filed on Sep. 23, 2010, now Pat. No. Des. 666,278.
- (51) **LOC (9) Cl.** ..... **23-01**
- (52) **U.S. Cl.** ..... **D23/263**
- (58) **Field of Classification Search** ..... D23/259–263; 137/15.01, 259, 269, 334, 360, 597, 605, 137/607; 285/179, 179.1; 4/680, 686, 687  
See application file for complete search history.

(56) **References Cited**

**U.S. PATENT DOCUMENTS**

D56,926	S	*	1/1921	Humphrey	.....	D23/263
1,901,897	A	*	3/1933	Clayton	.....	285/149.1
D229,409	S	*	11/1973	Luckenhill et al.	.....	D23/263
3,844,586	A	*	10/1974	Olen	.....	285/8
6,880,860	B2	*	4/2005	Gonzales et al.	.....	285/179
D604,242	S	*	11/2009	Kiely	.....	D13/133
D665,062	S	*	8/2012	Ball	.....	D23/263
D666,278	S	*	8/2012	Mitchell	.....	D23/263

2003/0178846	A1	*	9/2003	Ezura	.....	285/322
2004/0084899	A1	*	5/2004	Gonzales et al.	.....	285/179
2008/0092975	A1	*	4/2008	Grimes et al.	.....	138/177
2012/0074687	A1	*	3/2012	Mitchell	.....	285/179
2012/0192965	A1	*	8/2012	Popper et al.	.....	137/357

\* cited by examiner

*Primary Examiner* — Eric Goodman

(74) *Attorney, Agent, or Firm* — Lazaris IP

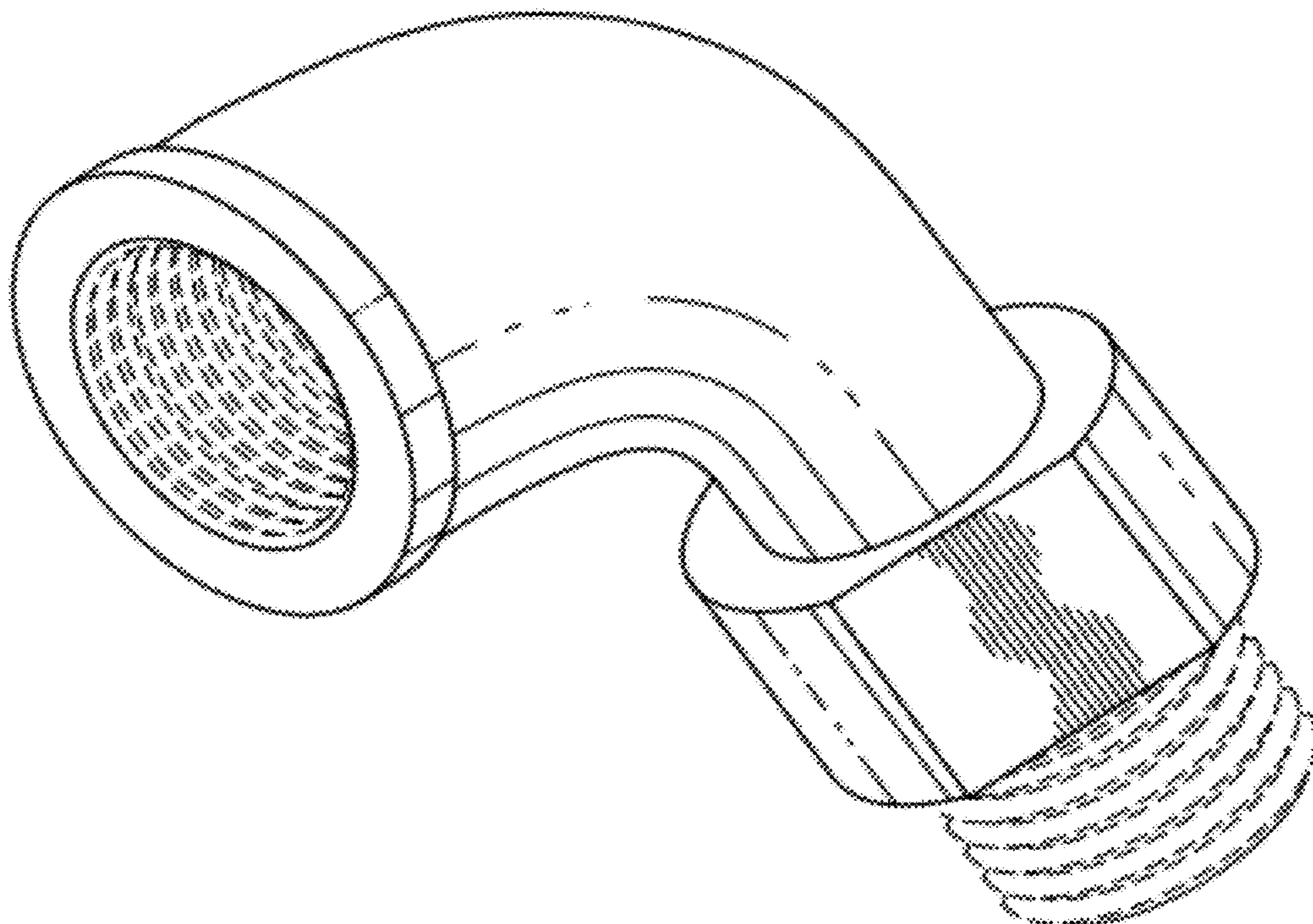
(57) **CLAIM**

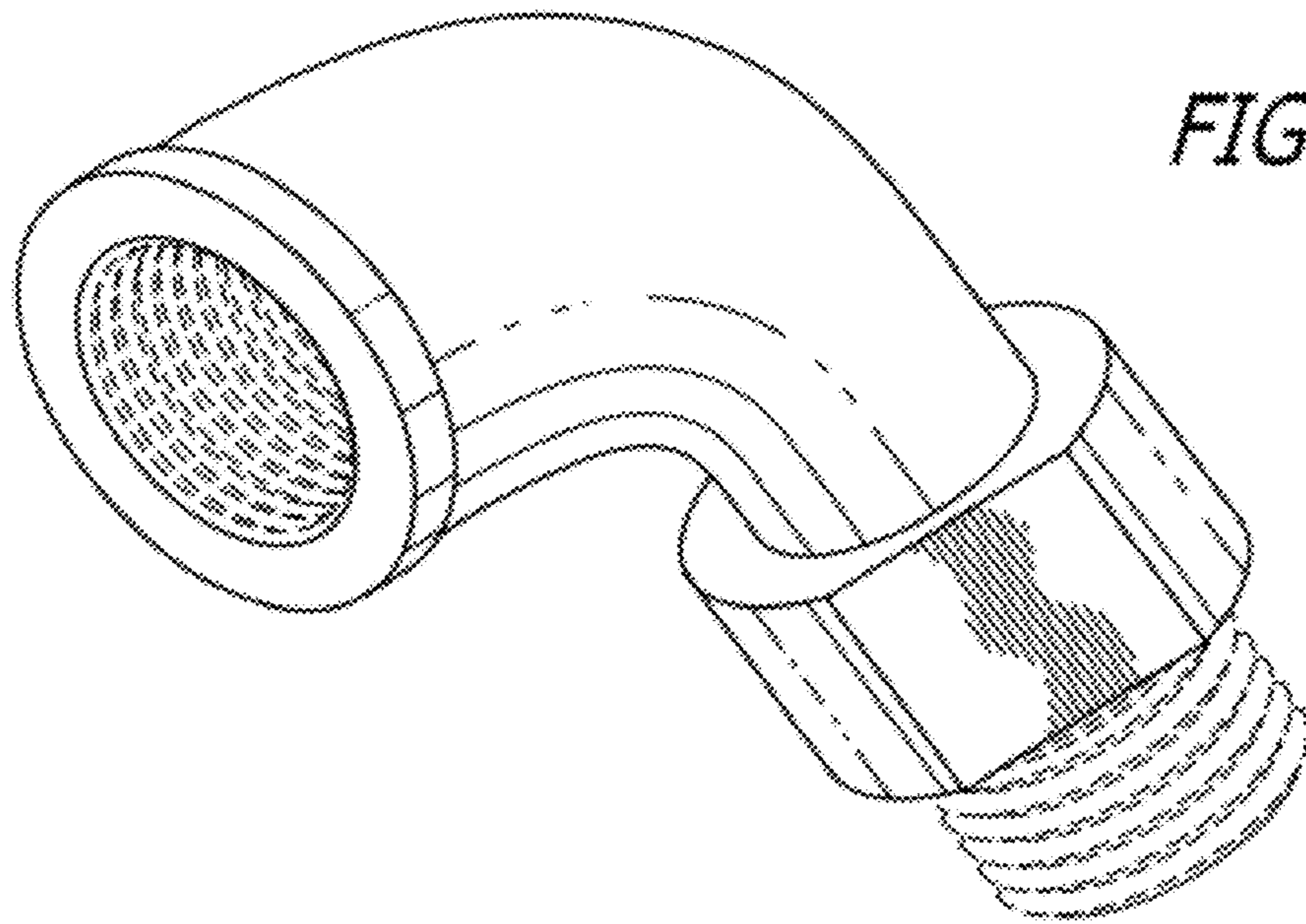
The ornamental design for a pipe fitting apparatus, as shown and described.

**DESCRIPTION**

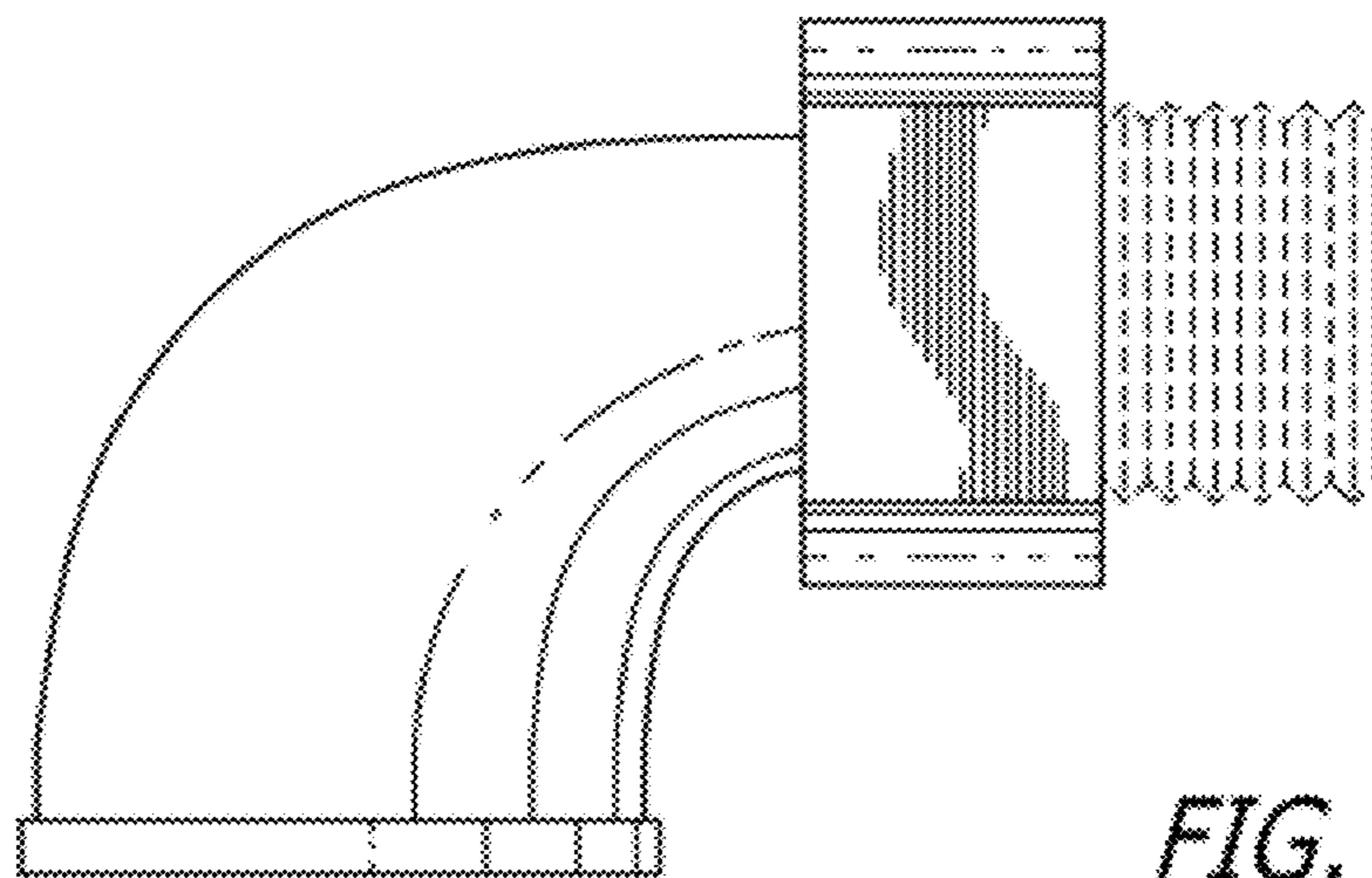
FIG. 1 is a perspective view of a pipe fitting apparatus according to one embodiment of the present design;  
 FIG. 2 is a side view of a pipe fitting apparatus according to one embodiment of the present design;  
 FIG. 3 is an end view of a pipe fitting apparatus according to one embodiment of the present design;  
 FIG. 4 is an end view of a pipe fitting apparatus according to one embodiment of the present design;  
 FIG. 5 is a top view of a pipe fitting apparatus according to one embodiment of the present design; and,  
 FIG. 6 is a bottom view of a pipe fitting apparatus according to one embodiment of the present design.  
 The broken lines indicating threads are shown for illustrative purposes only and form no part of the claimed design.

**1 Claim, 2 Drawing Sheets**





*FIG. 1*



*FIG. 2*

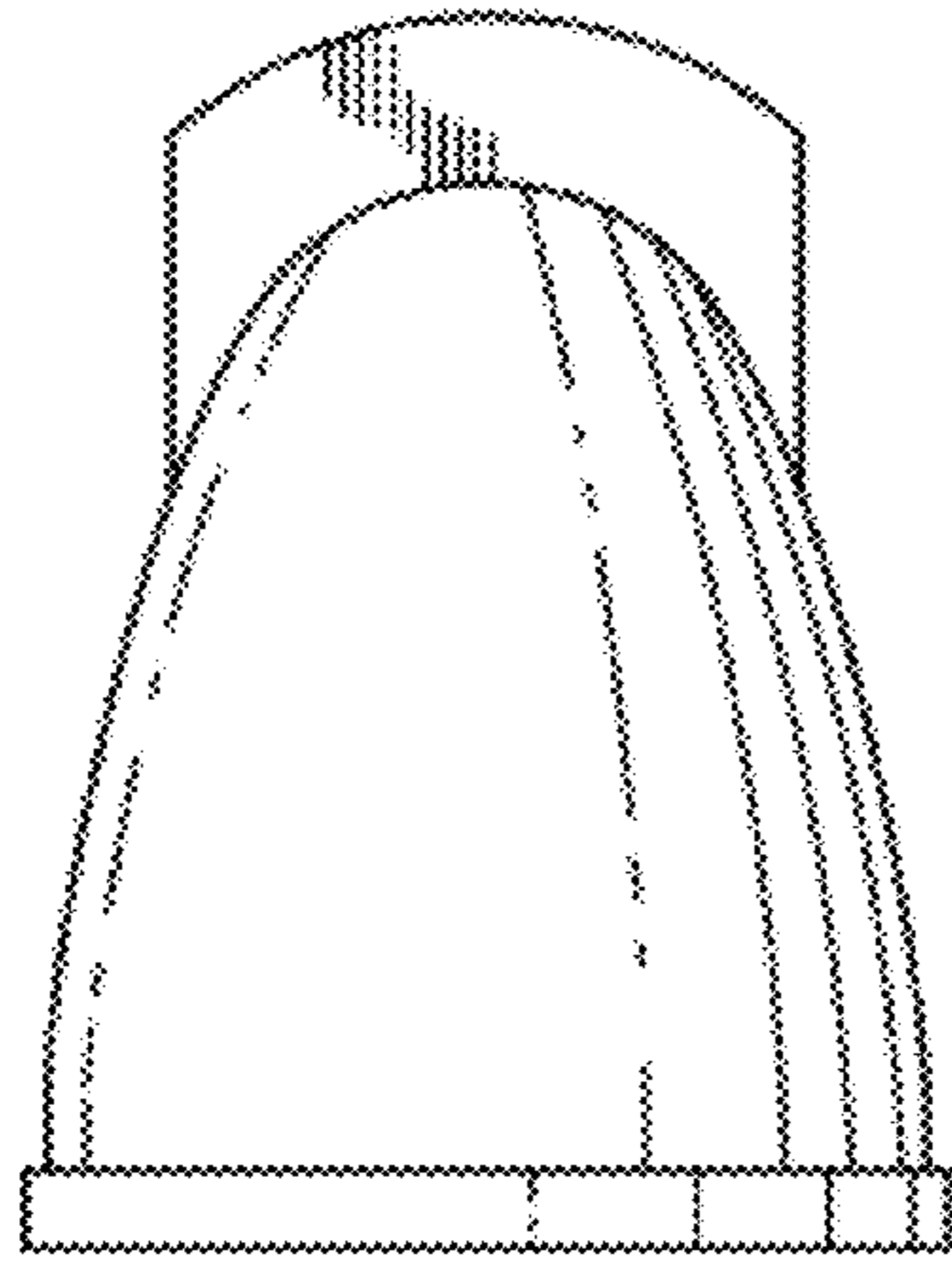


FIG. 3

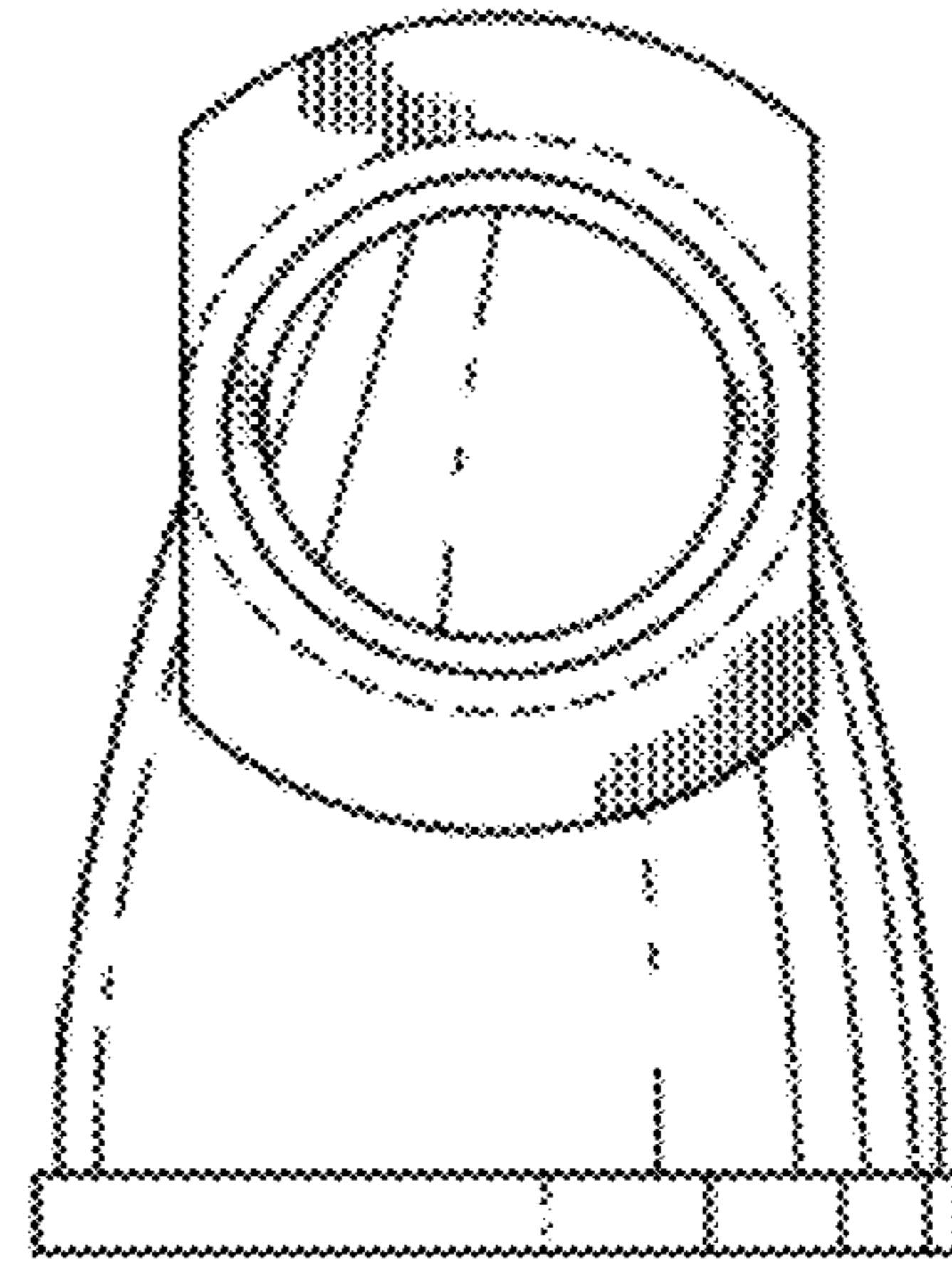


FIG. 4

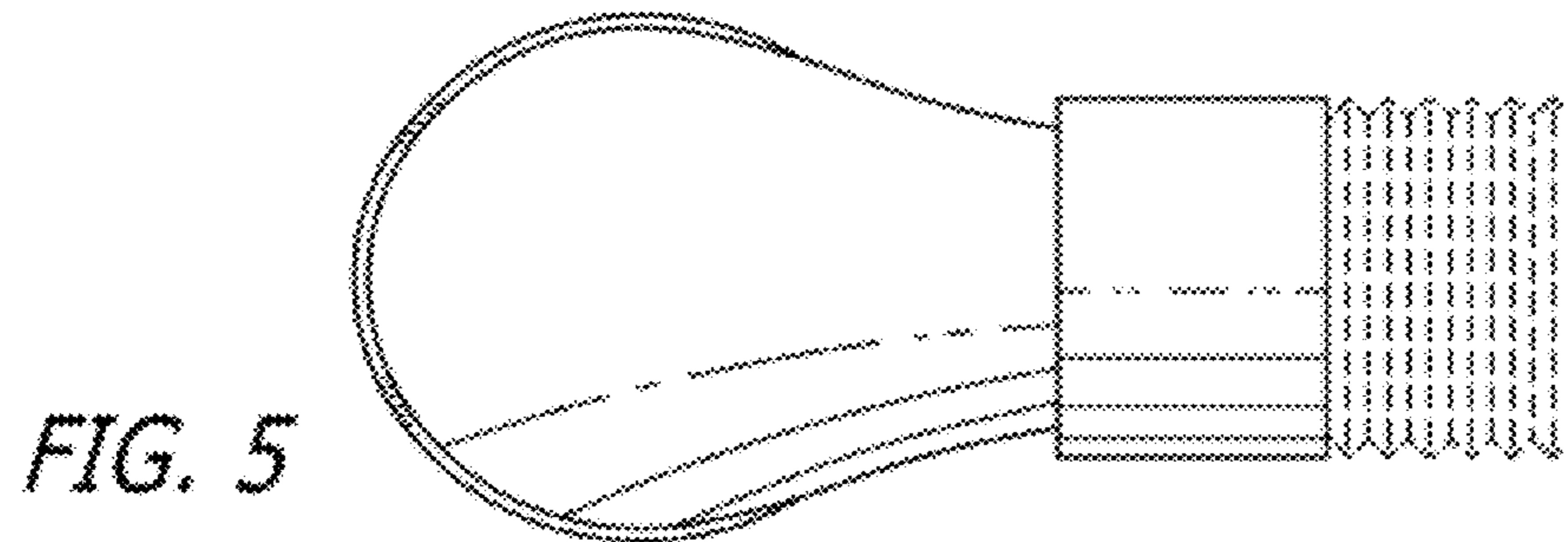


FIG. 5

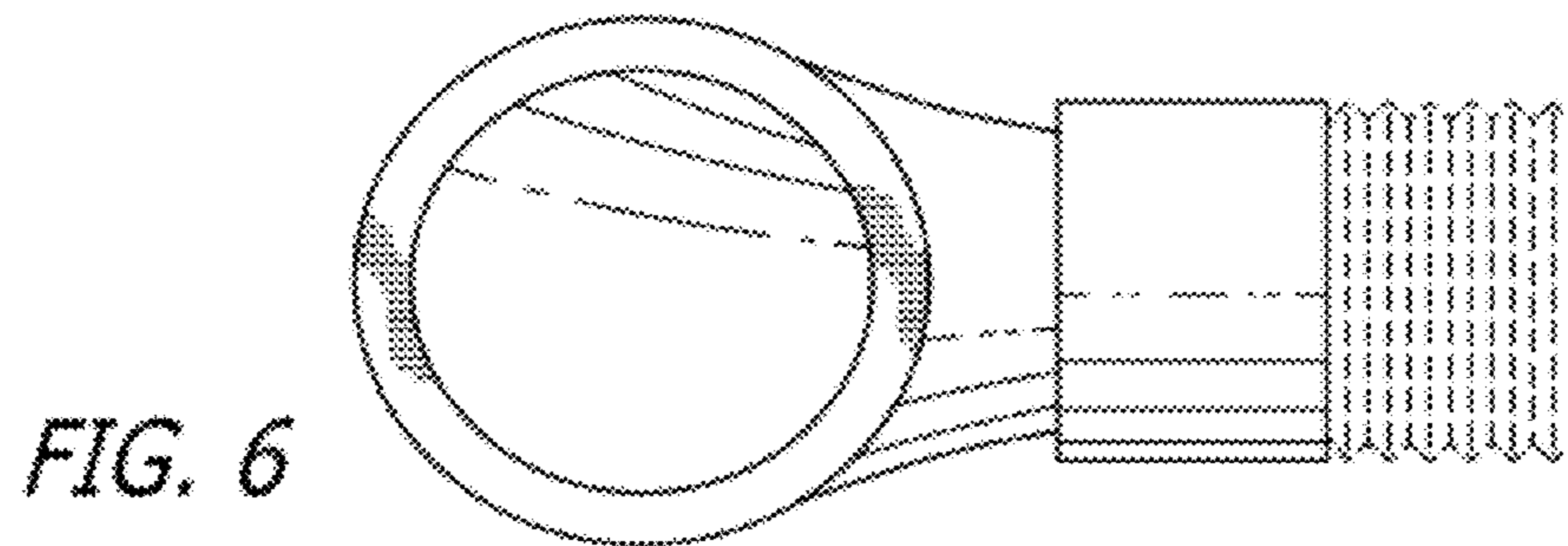


FIG. 6