

US00D675289S

(12) **United States Design Patent**
Freudendahl

(10) **Patent No.:** **US D675,289 S**

(45) **Date of Patent:** **** Jan. 29, 2013**

(54) **PIPE JUNCTION**

(75) **Inventor:** **Erling Arnum Freudendahl**, Galten (DK)

(73) **Assignee:** **AVK Holding A/S**, Galten (DK)

(**) **Term:** **14 Years**

(21) **Appl. No.:** **29/383,131**

(22) **Filed:** **Jan. 12, 2011**

(30) **Foreign Application Priority Data**

Jul. 19, 2010 (EP) 001732868-0001

(51) **LOC (9) Cl.** **23-01**

(52) **U.S. Cl.** **D23/259**

(58) **Field of Classification Search** D23/259,
D23/262; 285/369, 372, 373, 417, 133.11,
285/133.3, 133.21, 133.4-133.6

See application file for complete search history.

(56) **References Cited**

U.S. PATENT DOCUMENTS

D270,935 S * 10/1983 Logsdon D23/262
D296,816 S * 7/1988 Budzinski et al. D23/263
D319,287 S * 8/1991 Baumstark et al. D23/207
6,231,090 B1 * 5/2001 Fukao et al. 285/340

D453,552 S * 2/2002 Sato et al. D23/262
D483,094 S * 12/2003 Wilk et al. D23/262
D483,095 S * 12/2003 Snyder et al. D23/262
D483,441 S * 12/2003 Dole et al. D23/262
D493,512 S * 7/2004 Dole et al. D23/262
D495,404 S * 8/2004 Wilk et al. D23/262
D517,665 S * 3/2006 Wilk et al. D23/262
D524,427 S * 7/2006 Wilk et al. D23/262
D559,362 S * 1/2008 Zeppetbauer D23/262
D623,277 S * 9/2010 Guzzoni et al. D23/262

* cited by examiner

Primary Examiner — Eric Goodman

(74) *Attorney, Agent, or Firm* — Tsircou Law, P.C.

(57) **CLAIM**

I claim the ornamental design for a pipe junction, as shown and described.

DESCRIPTION

FIG. 1 is a side perspective view of a pipe junction in accordance with the new design.

FIG. 2 is a side elevational view of the pipe junction of FIG. 1.

FIG. 3 is a front view of the pipe junction of FIG. 1.

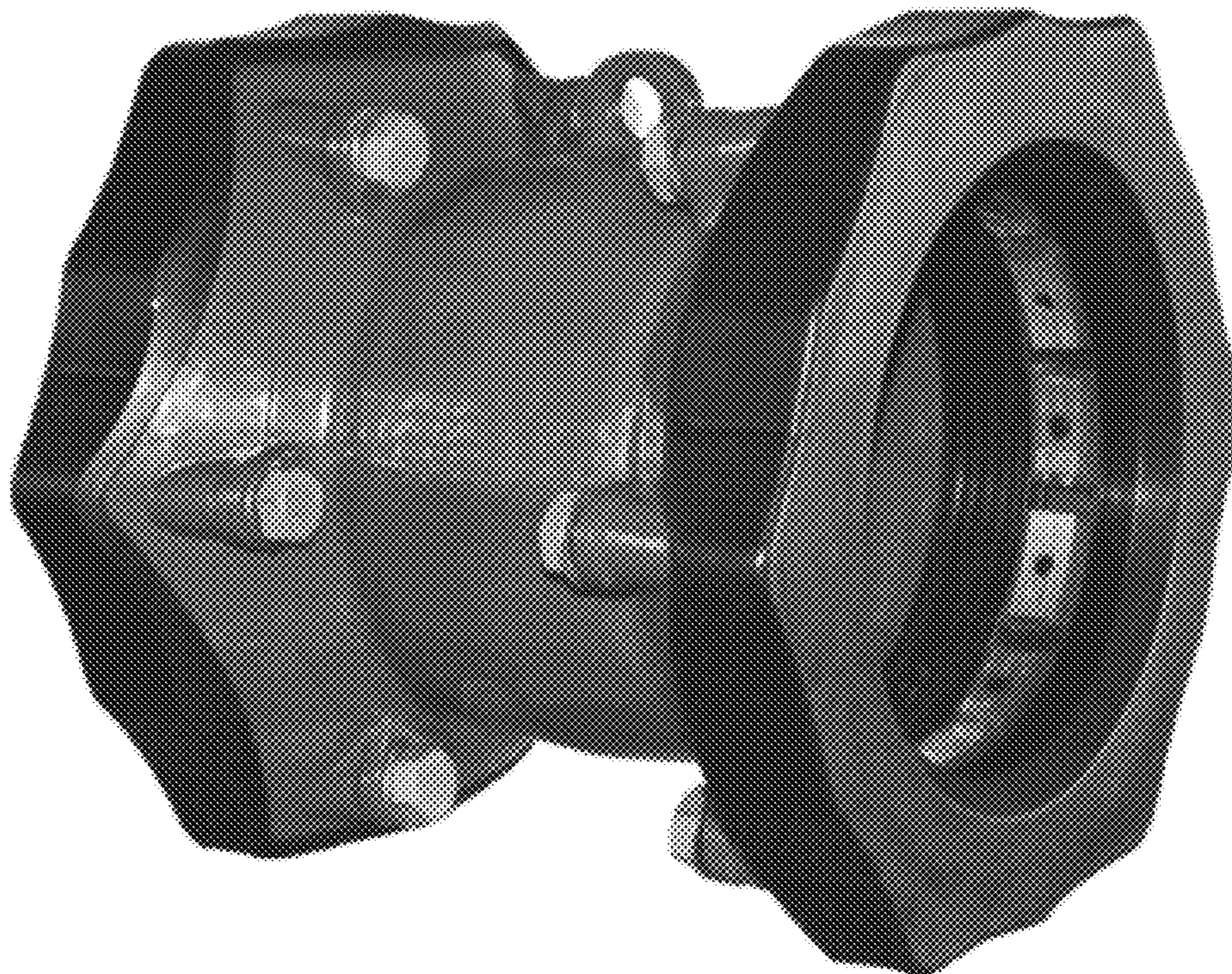
FIG. 4 is a left side elevational view of the pipe junction of FIG. 1.

FIG. 5 is a top view of the pipe junction of FIG. 1.

FIG. 6 is a back view of the pipe junction of FIG. 1; and,

FIG. 7 is a bottom view of the pipe junction of FIG. 1.

1 Claim, 3 Drawing Sheets



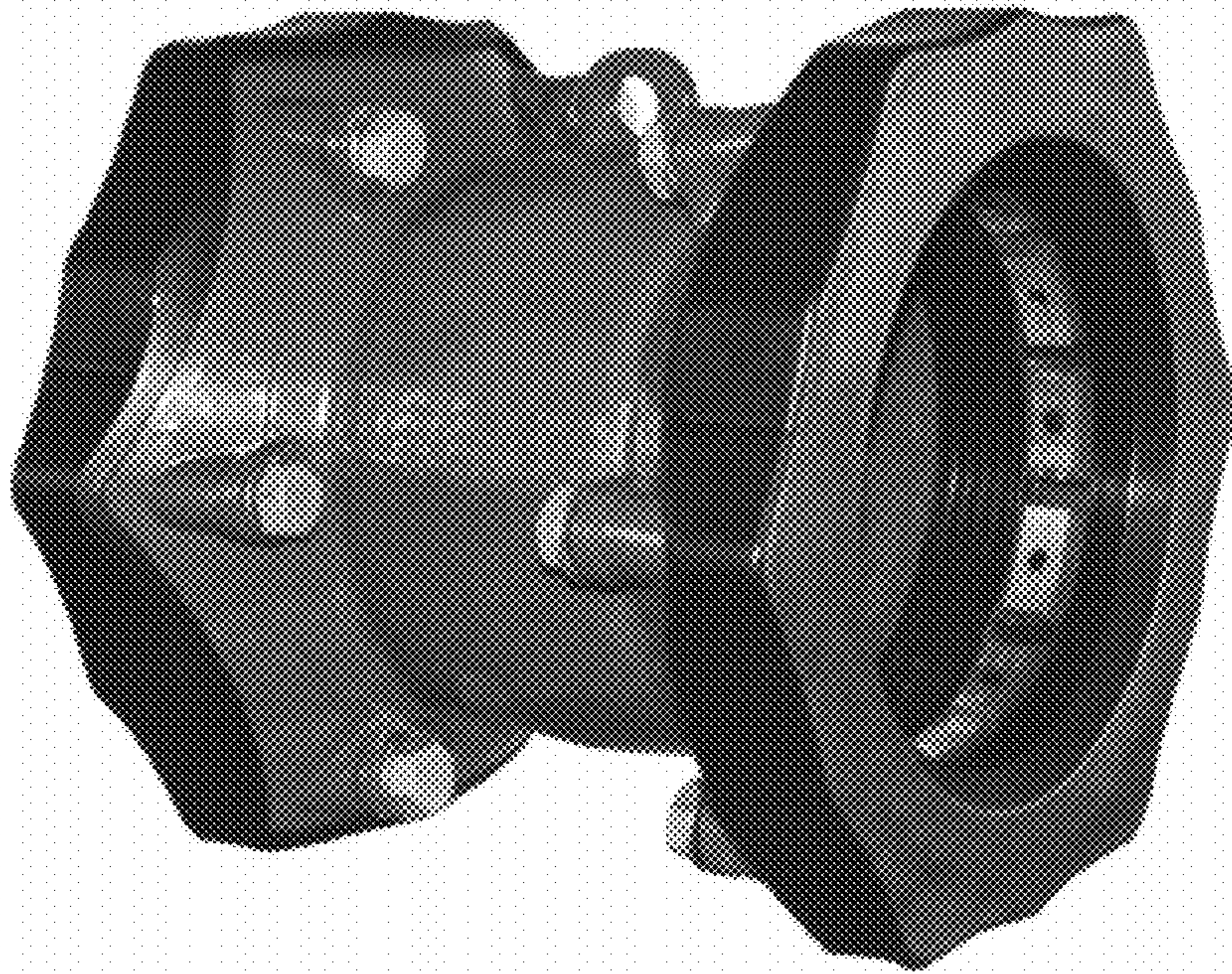


FIG. 1

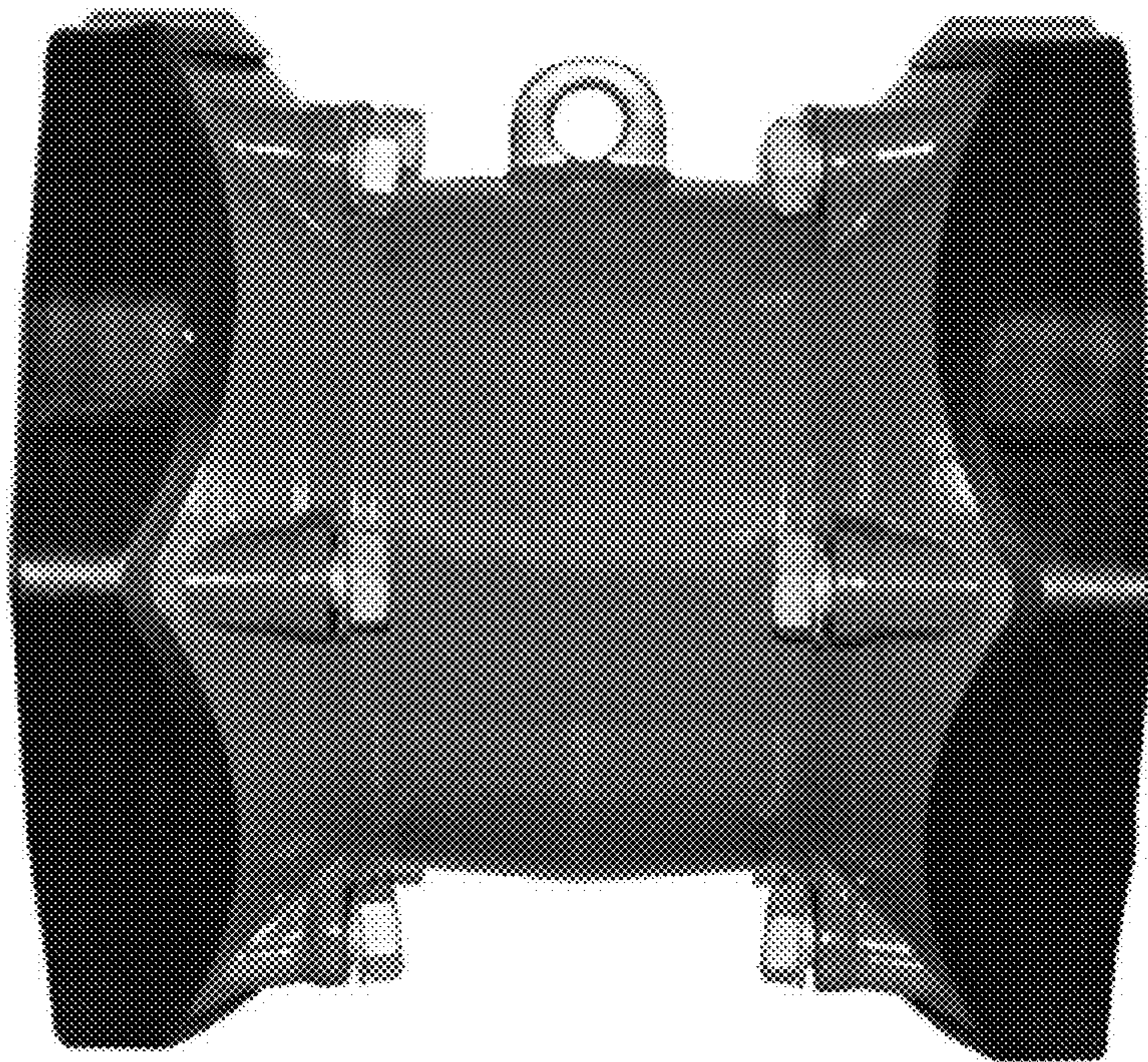


FIG. 2

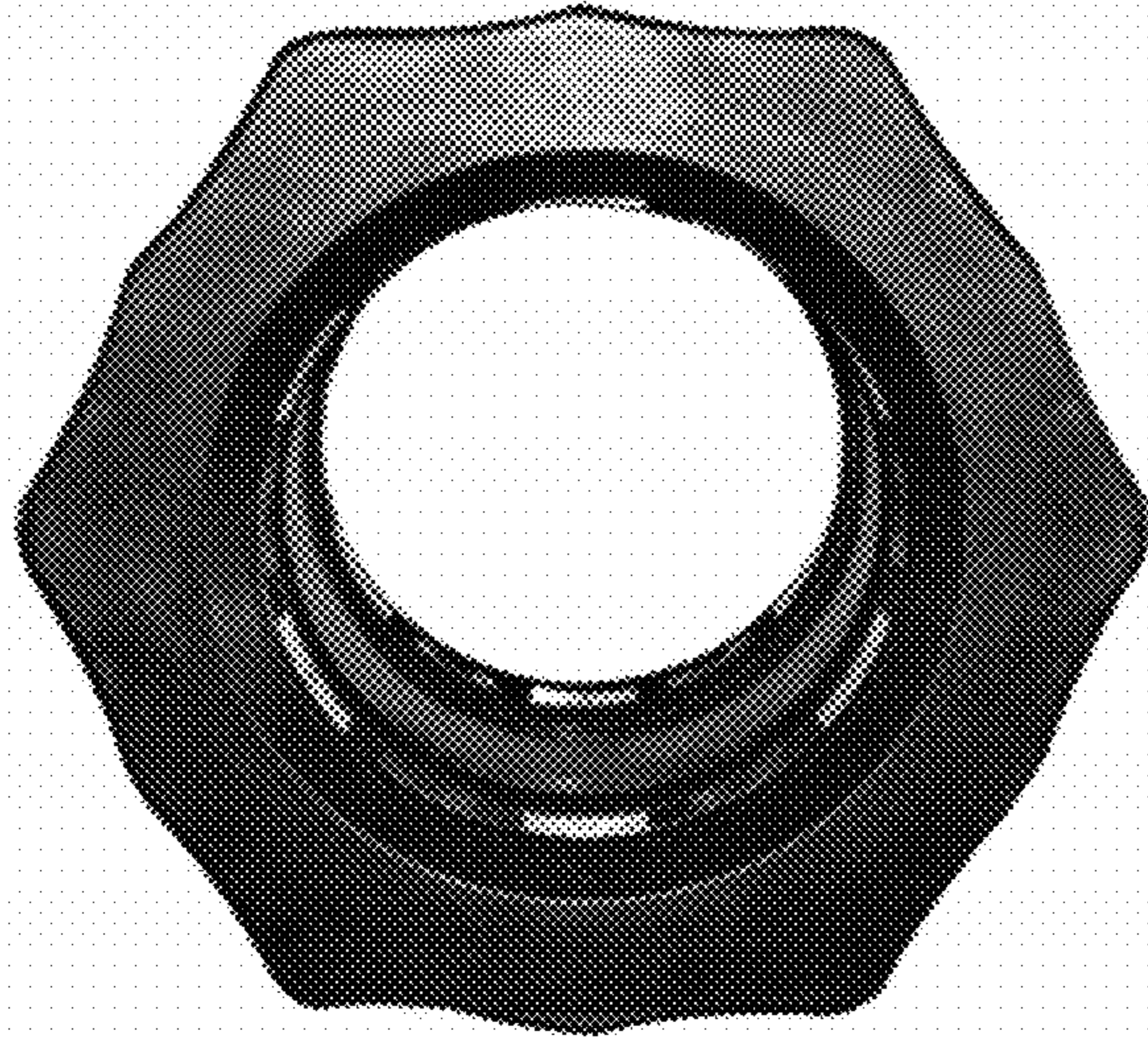


FIG. 3

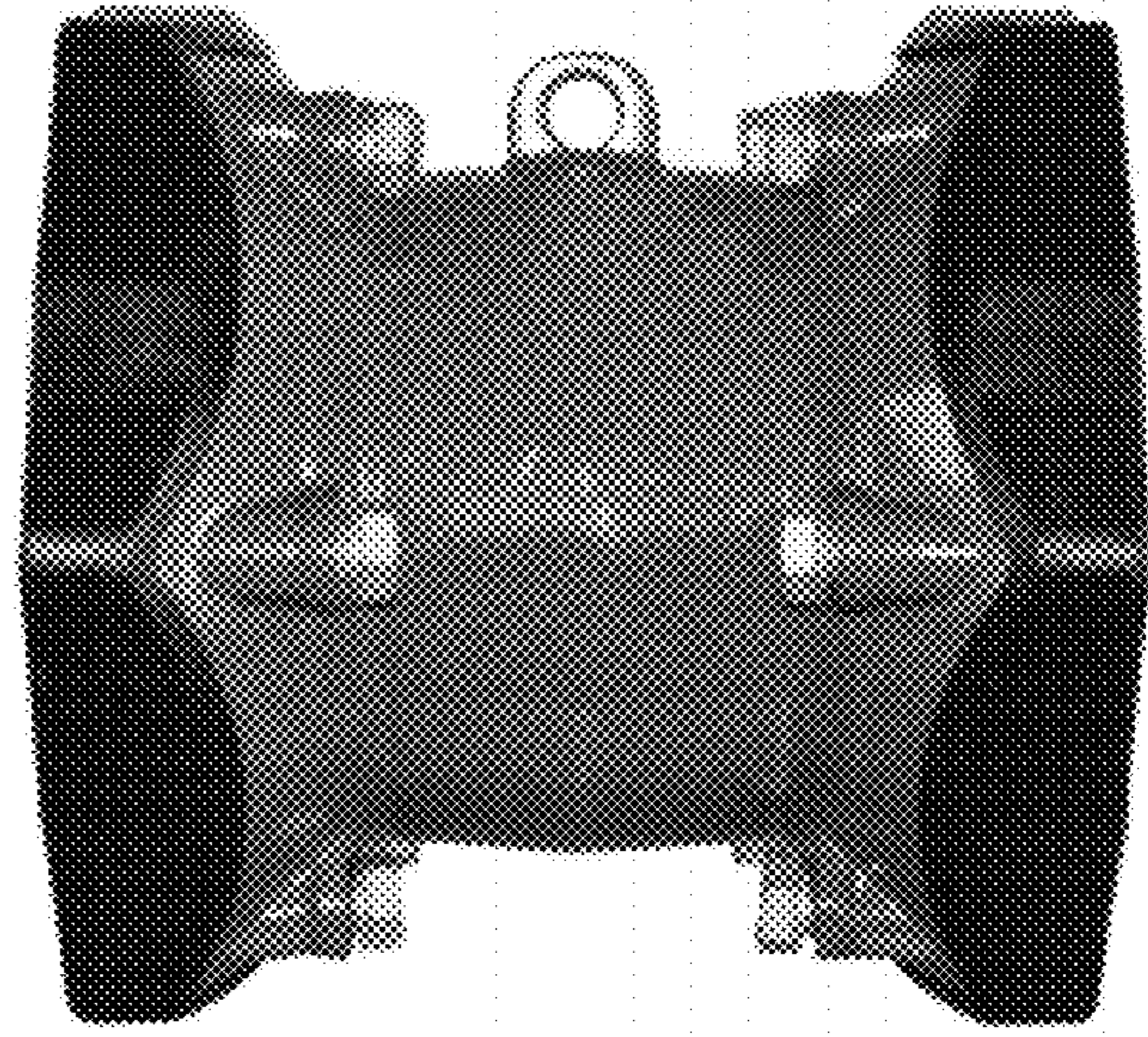


FIG. 4

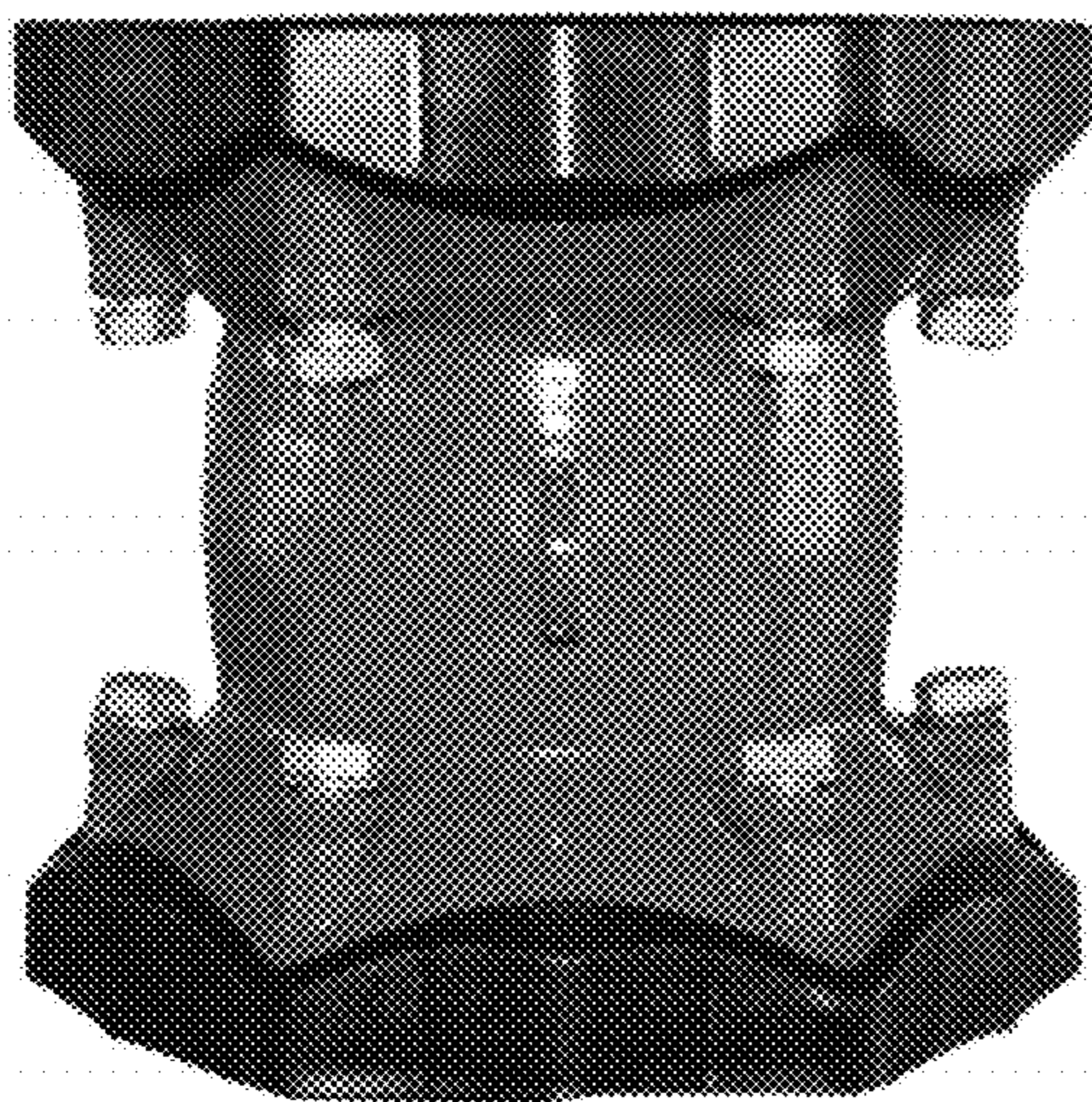


FIG. 5

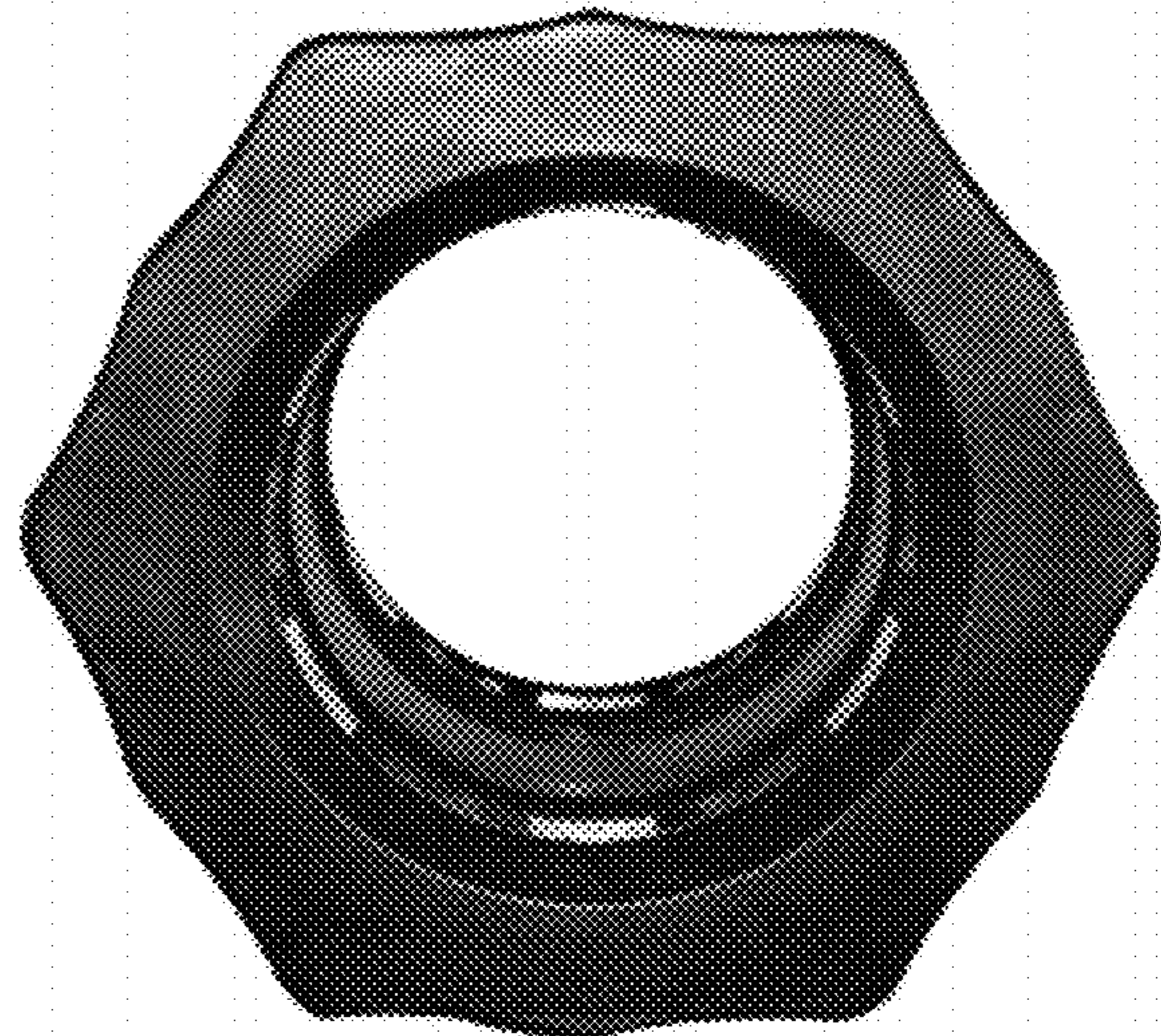


FIG. 6



FIG. 7