



US00D675288S

(12) **United States Design Patent**
Lord

(10) **Patent No.:** **US D675,288 S**
(45) **Date of Patent:** **** Jan. 29, 2013**

(54) **FAUCET HANDLE**

(75) Inventor: **Judd Lord**, Fishers, IN (US)

(73) Assignee: **Masco Corporation of Indiana**,
Indianapolis, IN (US)

(**) Term: **14 Years**

(21) Appl. No.: **29/417,875**

(22) Filed: **Apr. 10, 2012**

(51) **LOC (9) Cl.** **23-01**

(52) **U.S. Cl.** **D23/252**

(58) **Field of Classification Search** D23/238-243,
D23/250, 252, 249, 245; 4/675-678; 137/801
See application file for complete search history.

(56) **References Cited**

U.S. PATENT DOCUMENTS

| | | | | |
|--------------|--------|---------|-------|---------|
| D468,398 S * | 1/2003 | Ziemann | | D23/238 |
| D472,961 S * | 4/2003 | Ziemann | | D23/238 |
| D496,092 S * | 9/2004 | Otero | | D23/252 |

* cited by examiner

Primary Examiner — Robert Delehanty

(74) *Attorney, Agent, or Firm* — Edgar A. Zarins; Nirav D. Parikh; Lora J. Graentzdoerffer

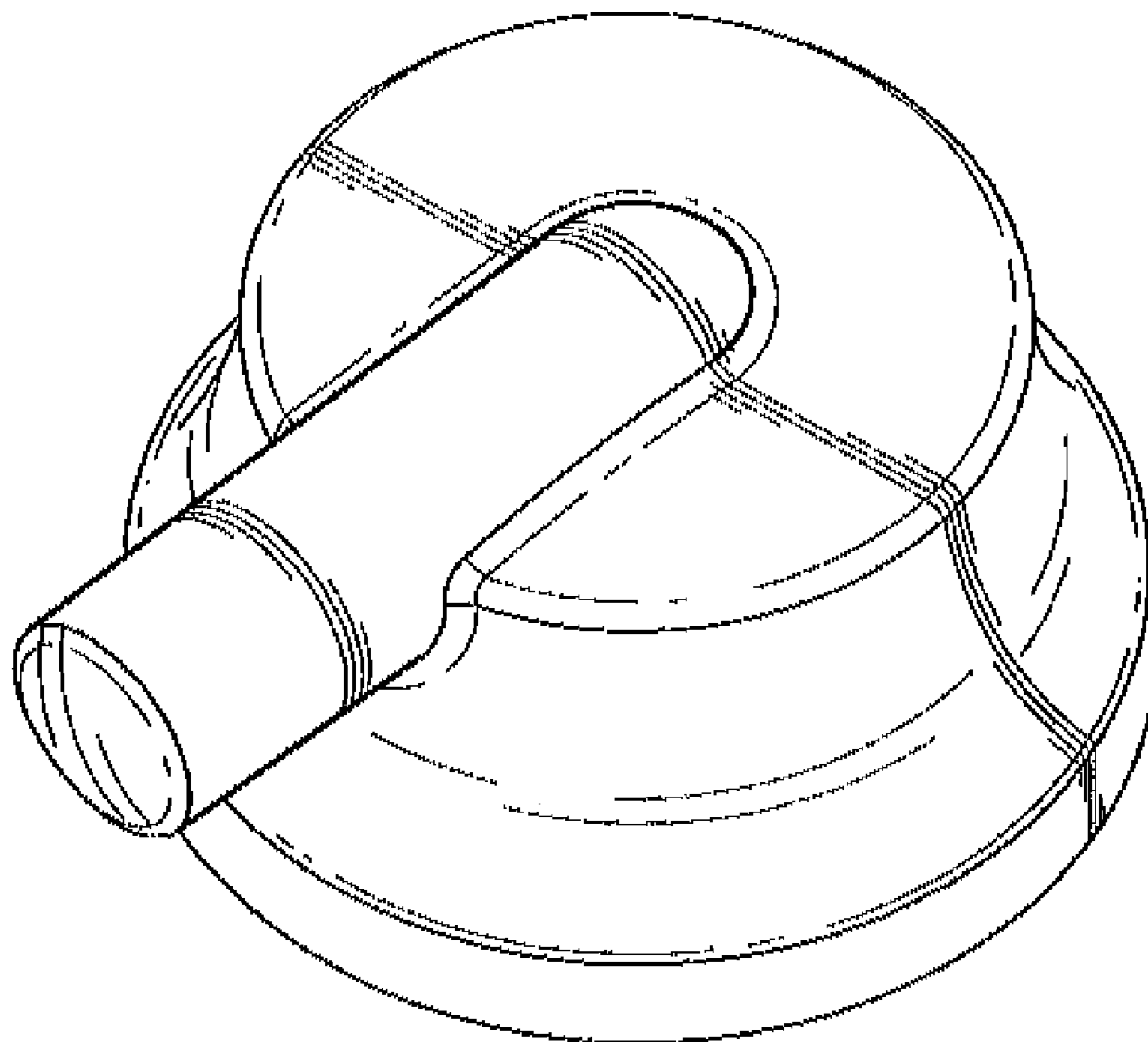
(57) **CLAIM**

The ornamental design for a faucet handle, as shown and described.

DESCRIPTION

FIG. 1 is a perspective view of a faucet handle showing my new design;
FIG. 2 is a top plan view thereof;
FIG. 3 is a right side view thereof;
FIG. 4 is a left side view thereof;
FIG. 5 is a front view thereof;
FIG. 6 is a rear view thereof; and,
FIG. 7 is a bottom view thereof.

1 Claim, 1 Drawing Sheet



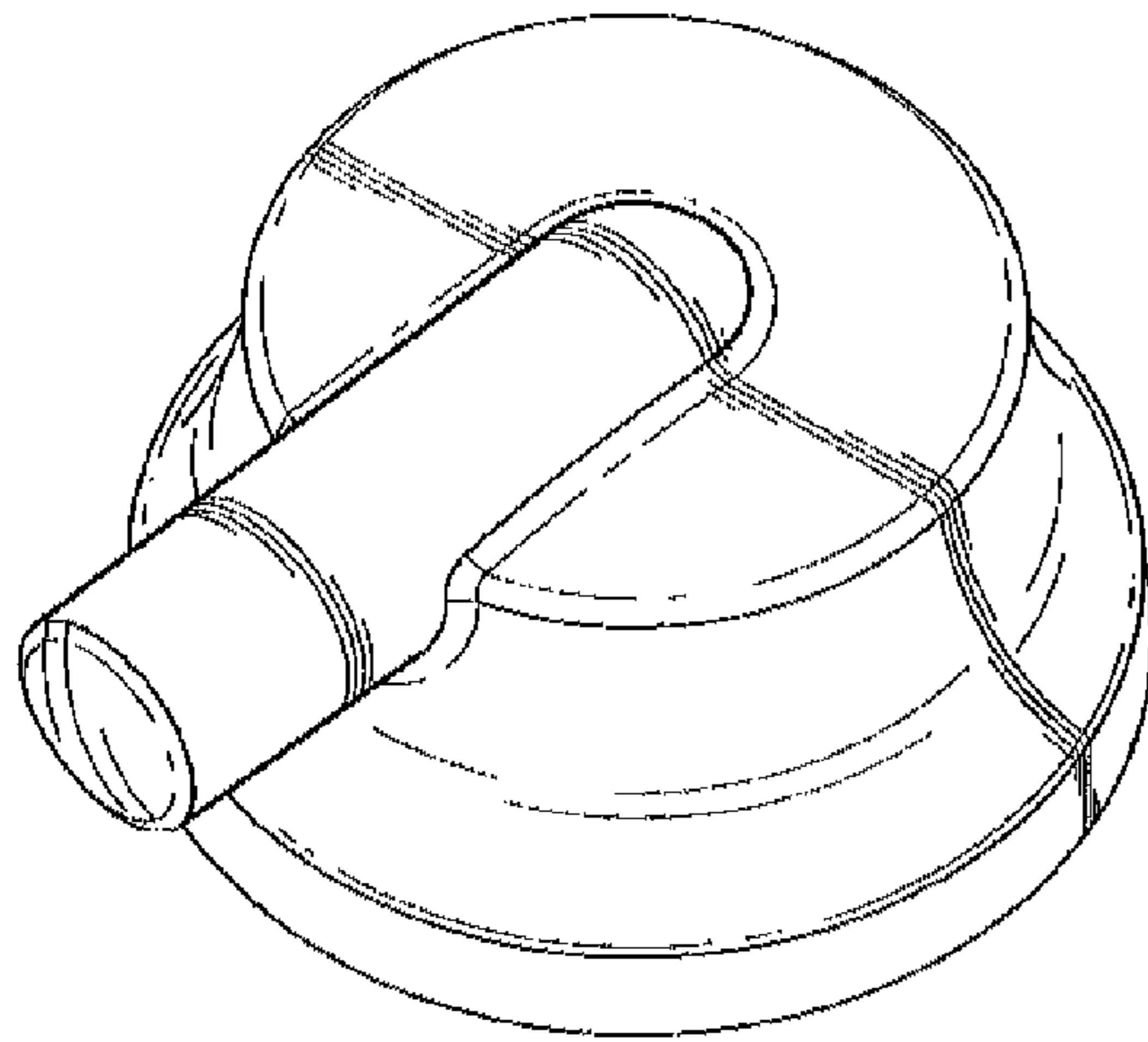


Fig-1

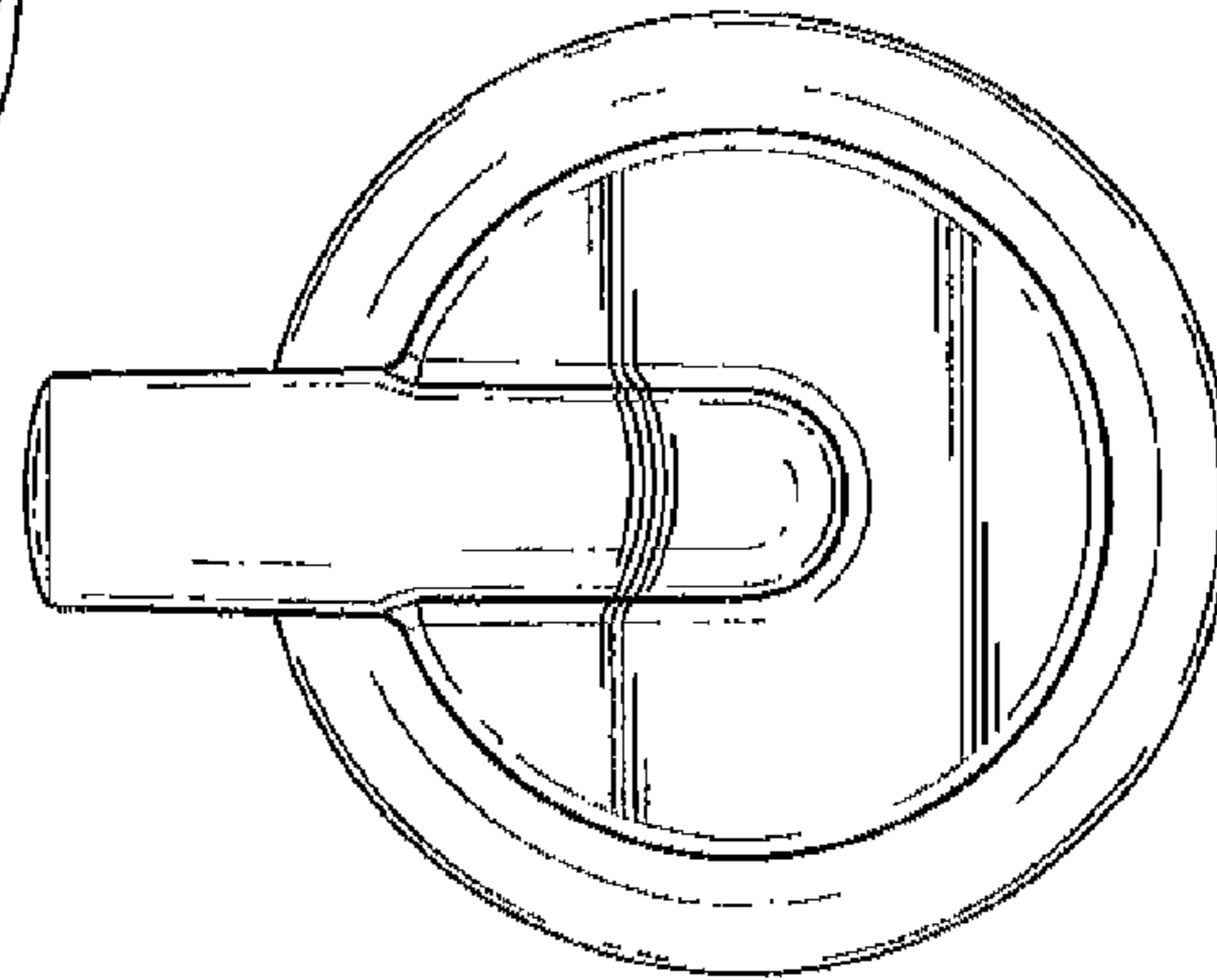


Fig-2

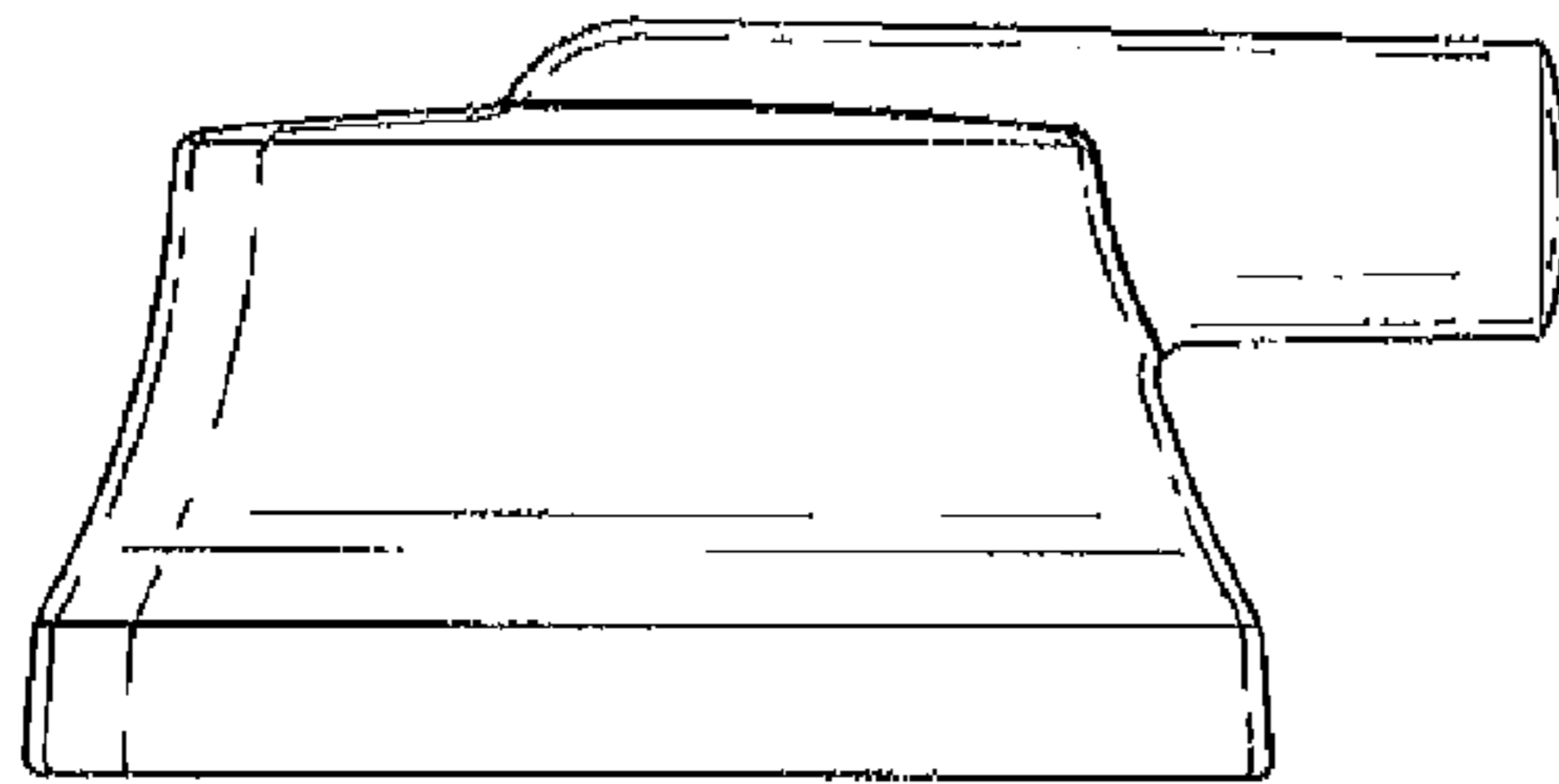


Fig-3

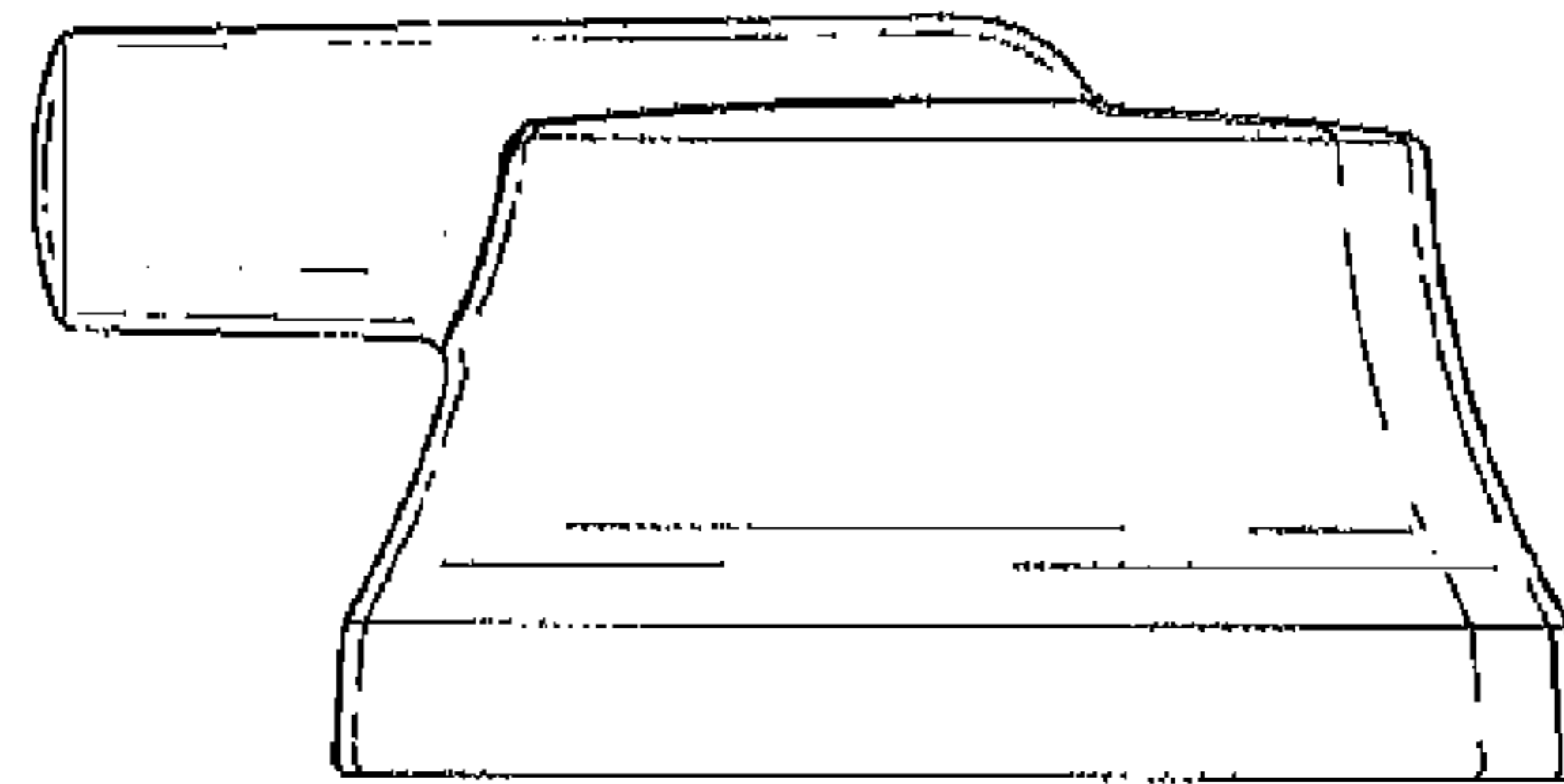


Fig-4

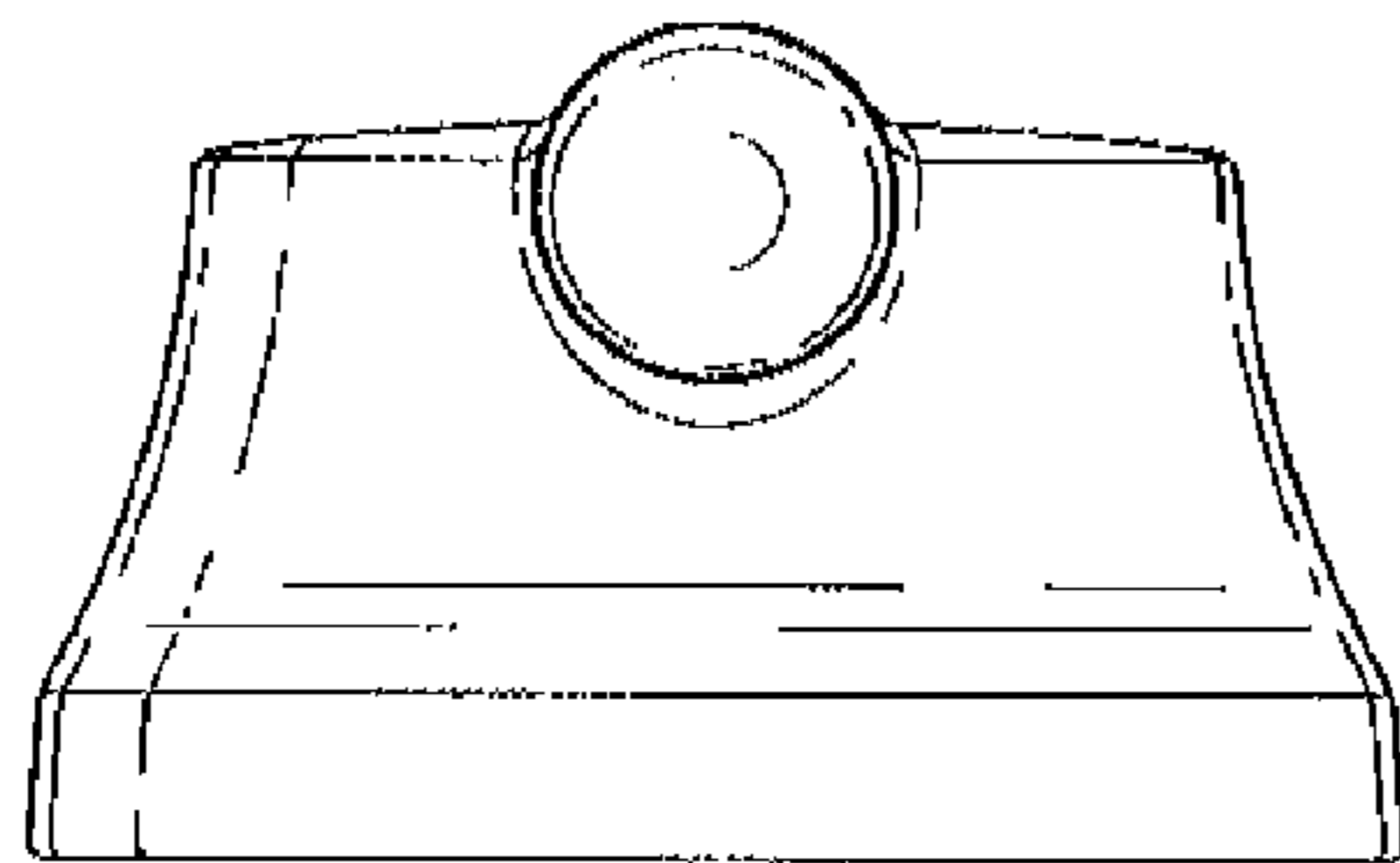


Fig-5

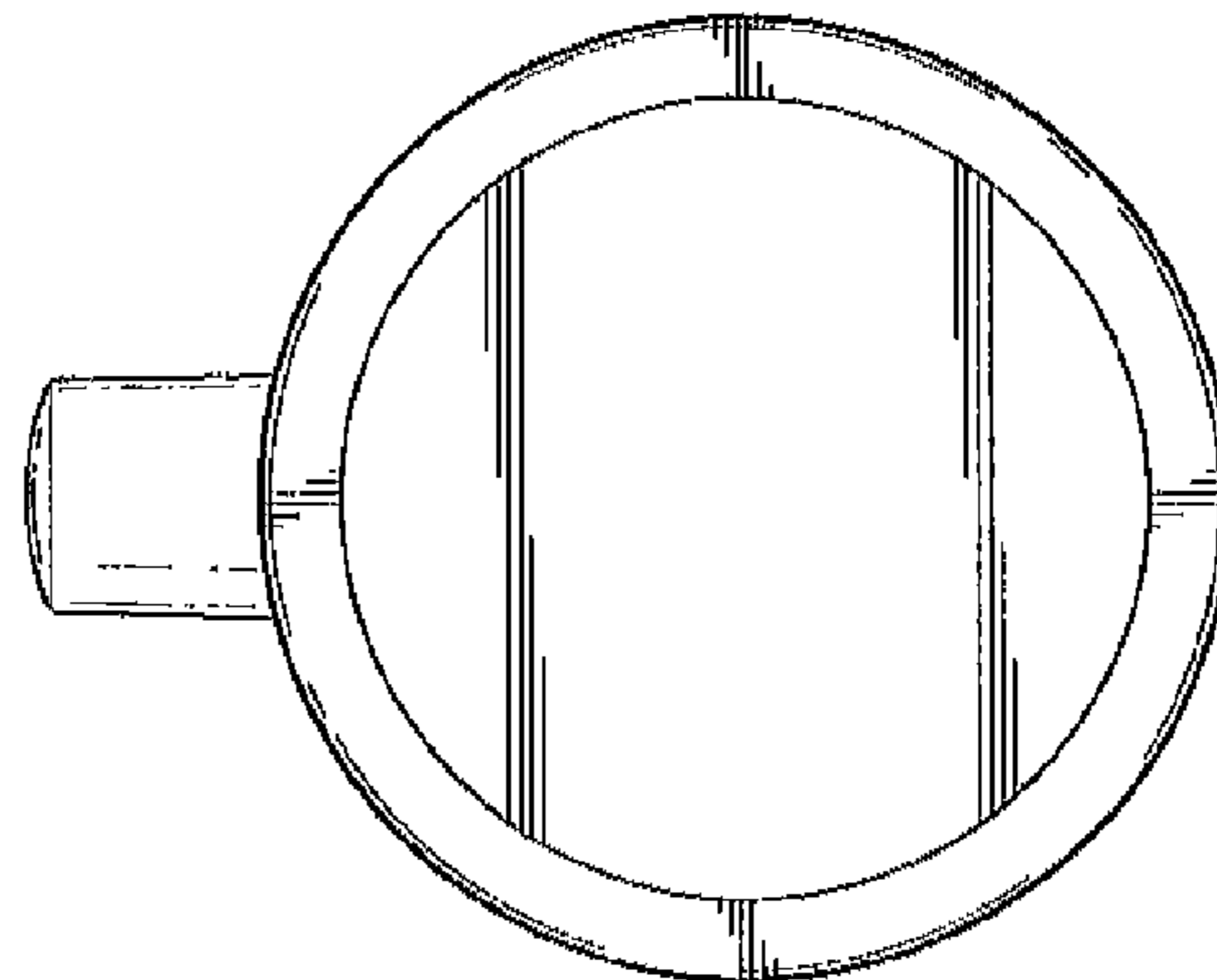


Fig-7

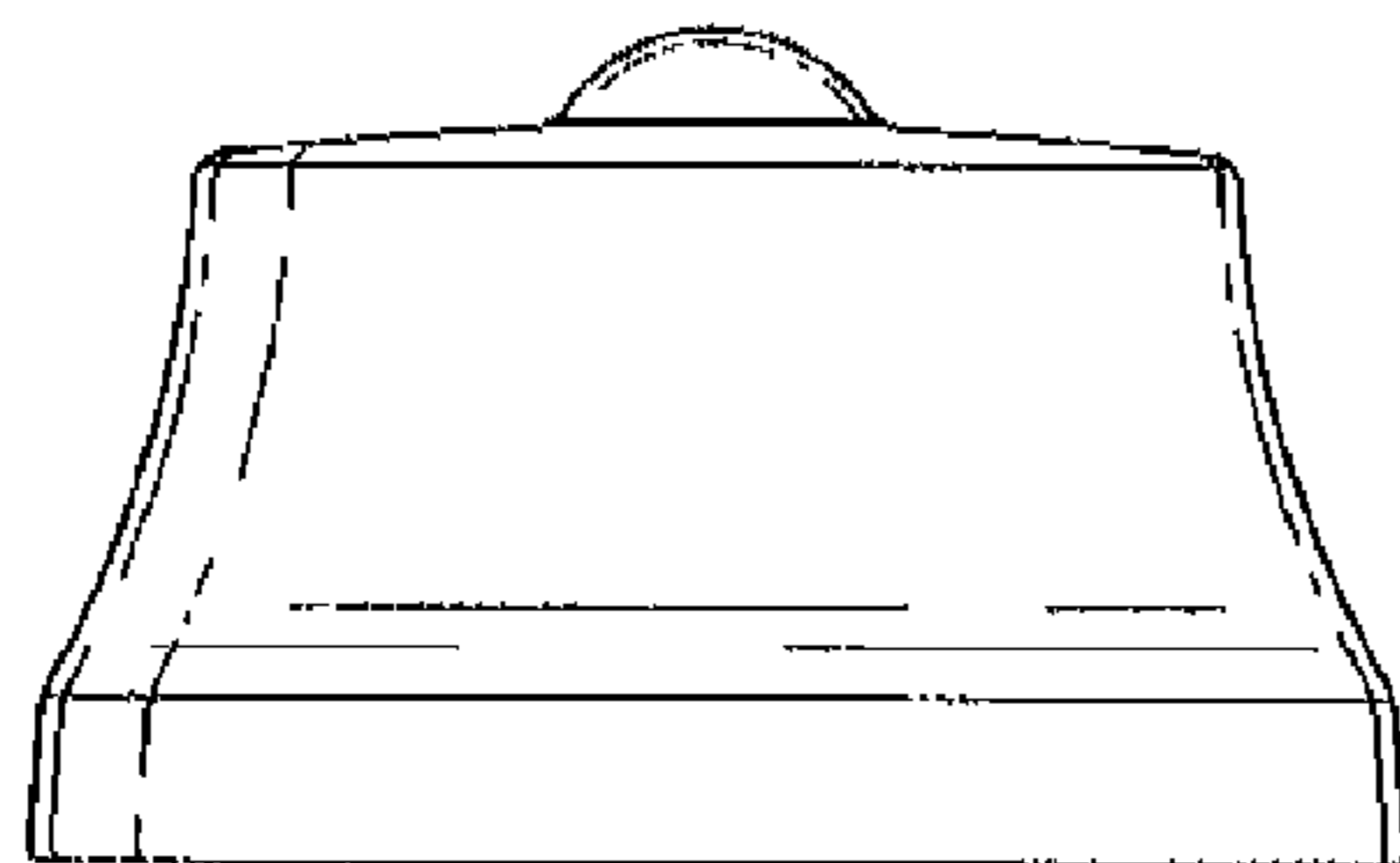


Fig-6