



US00D675284S

(12) **United States Design Patent**
Asaba

(10) **Patent No.:** **US D675,284 S**
(45) **Date of Patent:** **** Jan. 29, 2013**

(54) **FISHING REEL PORTION**

(75) Inventor: **Mariko Asaba**, Osaka (JP)

(73) Assignee: **Shimano Inc.**, Osaka (JP)

(**) Term: **14 Years**

(21) Appl. No.: **29/425,695**

(22) Filed: **Jun. 26, 2012**

(30) **Foreign Application Priority Data**

Jan. 10, 2012 (JP) 2012-000253

(51) **LOC (9) Cl.** **22-05**

(52) **U.S. Cl.** **D22/141**

(58) **Field of Classification Search** D22/137-141;
242/223-224, 310-311, 314, 370; 43/19-21

See application file for complete search history.

(56) **References Cited**

U.S. PATENT DOCUMENTS

D516,160 S * 2/2006 Iwabuchi D22/141
7,118,059 B2 * 10/2006 Morise 242/311

(Continued)

Primary Examiner — Catheri Oliver-Garcia

(74) *Attorney, Agent, or Firm* — Global IP Counselors, LLP

(57) **CLAIM**

The ornamental design for a fishing reel portion, as shown and described.

DESCRIPTION

FIG. 1 is a first perspective view of a fishing reel with a fishing reel portion in accordance with my new design;

FIG. 2 is a second perspective view of the fishing reel with the fishing reel portion illustrated in FIG. 1;

FIG. 3 is a first side elevational view of the fishing reel with the fishing reel portion illustrated in FIG. 1;

FIG. 4 is a second side elevational view of the fishing reel with the fishing reel portion illustrated in FIG. 1;

FIG. 5 is a top plan view of the fishing reel illustrated in FIG. 1, with the fishing reel portion being hidden;

FIG. 6 is a bottom plan view of the fishing reel with the fishing reel portion illustrated in FIG. 1;

FIG. 7 is a front elevational view of the fishing reel illustrated in FIG. 1, with the fishing reel portion being hidden;

FIG. 8 is a rear elevational view of the fishing reel illustrated in FIG. 1, with the fishing reel portion being hidden;

FIG. 9 is a first enlarged, partial perspective view of the fishing reel with the fishing reel portion illustrated in FIG. 1;

FIG. 10 is a second enlarged, partial perspective with the fishing reel portion being hidden plan view of the fishing reel with the fishing reel portion illustrated in FIG. 1;

FIG. 11 is a first side elevational view, similar to FIG. 3, of an alternative fishing reel portion identical to FIGS. 1 to 10, but where a top edge boundary of the fishing reel portion is shown in broken lines; and,

FIG. 12 is a second side elevational view, similar to FIG. 4, of the alternative fishing reel of FIG. 11, which is identical to FIGS. 1 to 10, but where a top edge boundary of the fishing reel portion is shown in broken lines.

The broken line illustration of the environmental structure (the remaining structure of the fishing reel) in the drawings is not part of the claimed design.

In the alternative fishing reel portion illustrated in FIGS. 11 and 12, the top boundary does not form part of the claimed design. In other words, with respect to the alternate design of the fishing reel portion illustrated in FIGS. 11 and 12, it should be understood that the claimed design extends to the top boundary but does not include the top boundary shown in broken lines.

The broken line illustration of the environmental structure (the remaining structure of the fishing reel) in the drawings is not part of the claimed design.

In the alternative fishing reel portion illustrated in FIGS. 11 and 12, the top boundary does not form part of the claimed design. In other words, with respect to the alternate design of the fishing reel portion illustrated in FIGS. 11 and 12, it should be understood that the claimed design extends to the top boundary but does not include the top boundary shown in broken lines.

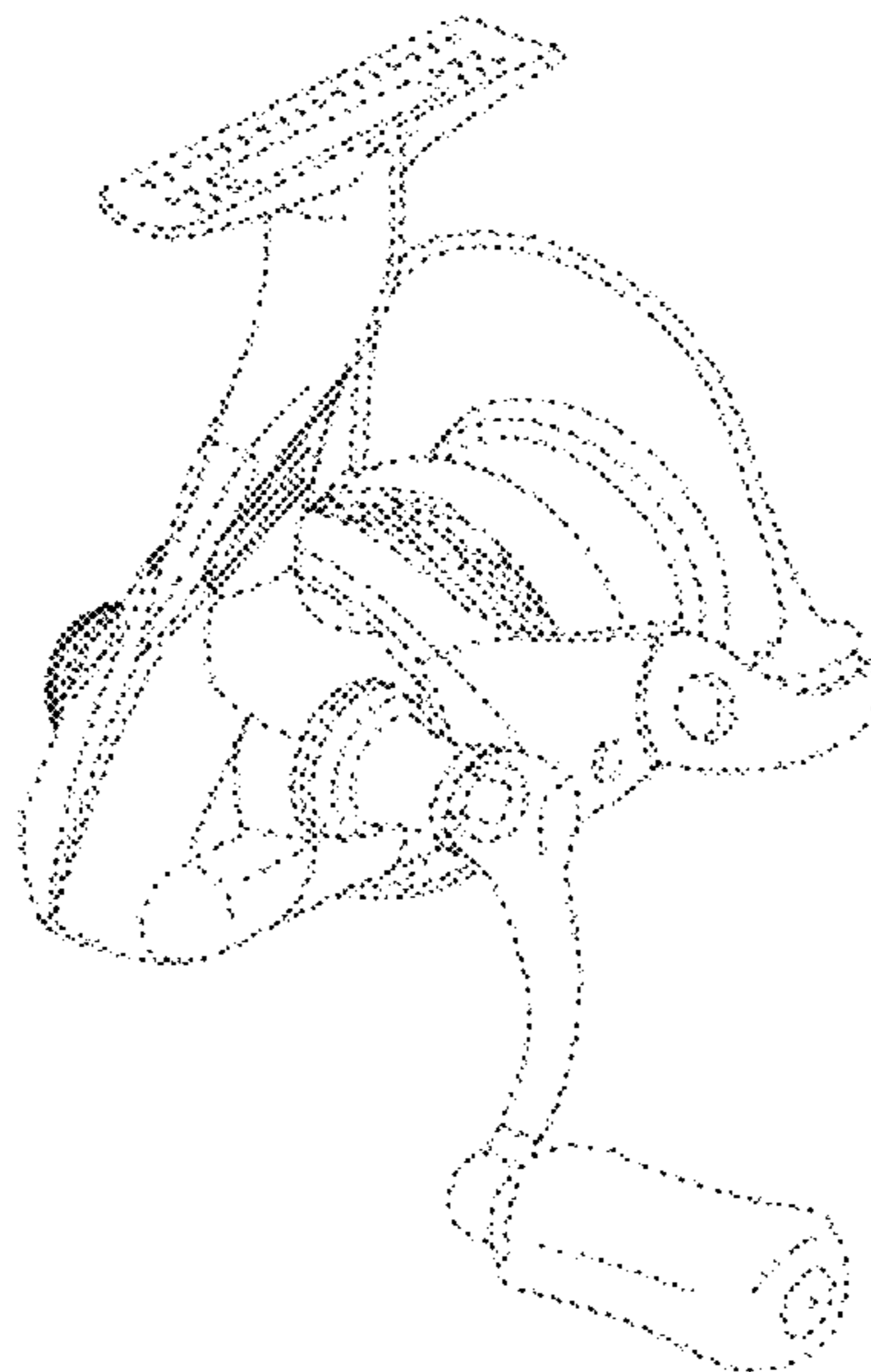
In the alternative fishing reel portion illustrated in FIGS. 11 and 12, the top boundary does not form part of the claimed design. In other words, with respect to the alternate design of the fishing reel portion illustrated in FIGS. 11 and 12, it should be understood that the claimed design extends to the top boundary but does not include the top boundary shown in broken lines.

In the alternative fishing reel portion illustrated in FIGS. 11 and 12, the top boundary does not form part of the claimed design. In other words, with respect to the alternate design of the fishing reel portion illustrated in FIGS. 11 and 12, it should be understood that the claimed design extends to the top boundary but does not include the top boundary shown in broken lines.

In the alternative fishing reel portion illustrated in FIGS. 11 and 12, the top boundary does not form part of the claimed design. In other words, with respect to the alternate design of the fishing reel portion illustrated in FIGS. 11 and 12, it should be understood that the claimed design extends to the top boundary but does not include the top boundary shown in broken lines.

In the alternative fishing reel portion illustrated in FIGS. 11 and 12, the top boundary does not form part of the claimed design. In other words, with respect to the alternate design of the fishing reel portion illustrated in FIGS. 11 and 12, it should be understood that the claimed design extends to the top boundary but does not include the top boundary shown in broken lines.

1 Claim, 6 Drawing Sheets



US D675,284 S

Page 2

U.S. PATENT DOCUMENTS

D539,378 S *	3/2007	Kondo et al.	D22/141	D624,626 S *	9/2010	Noma	D22/141
D579,513 S *	10/2008	Iwabuchi	D22/141	D654,554 S *	2/2012	McCune et al.	D22/141

* cited by examiner

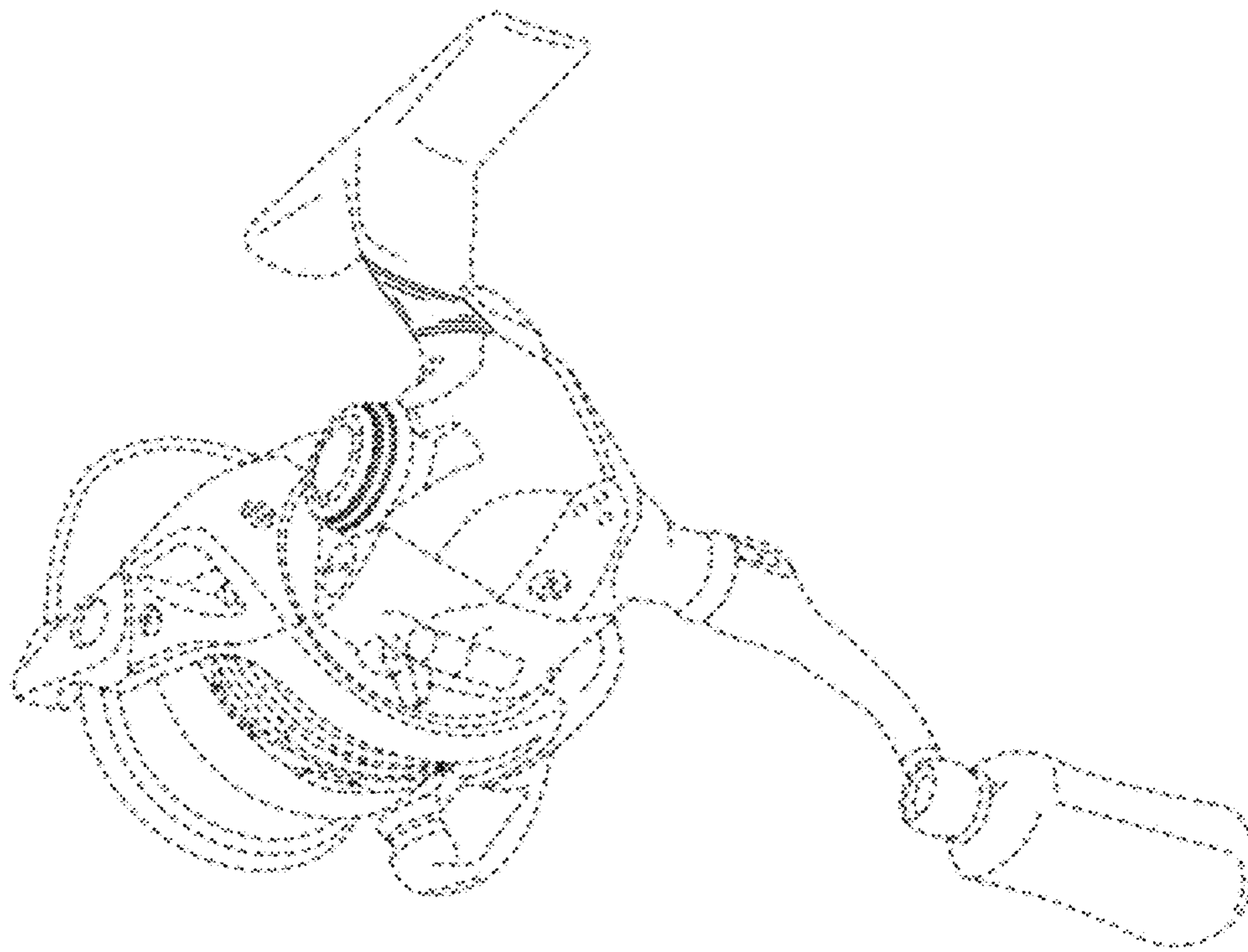


FIG. 1

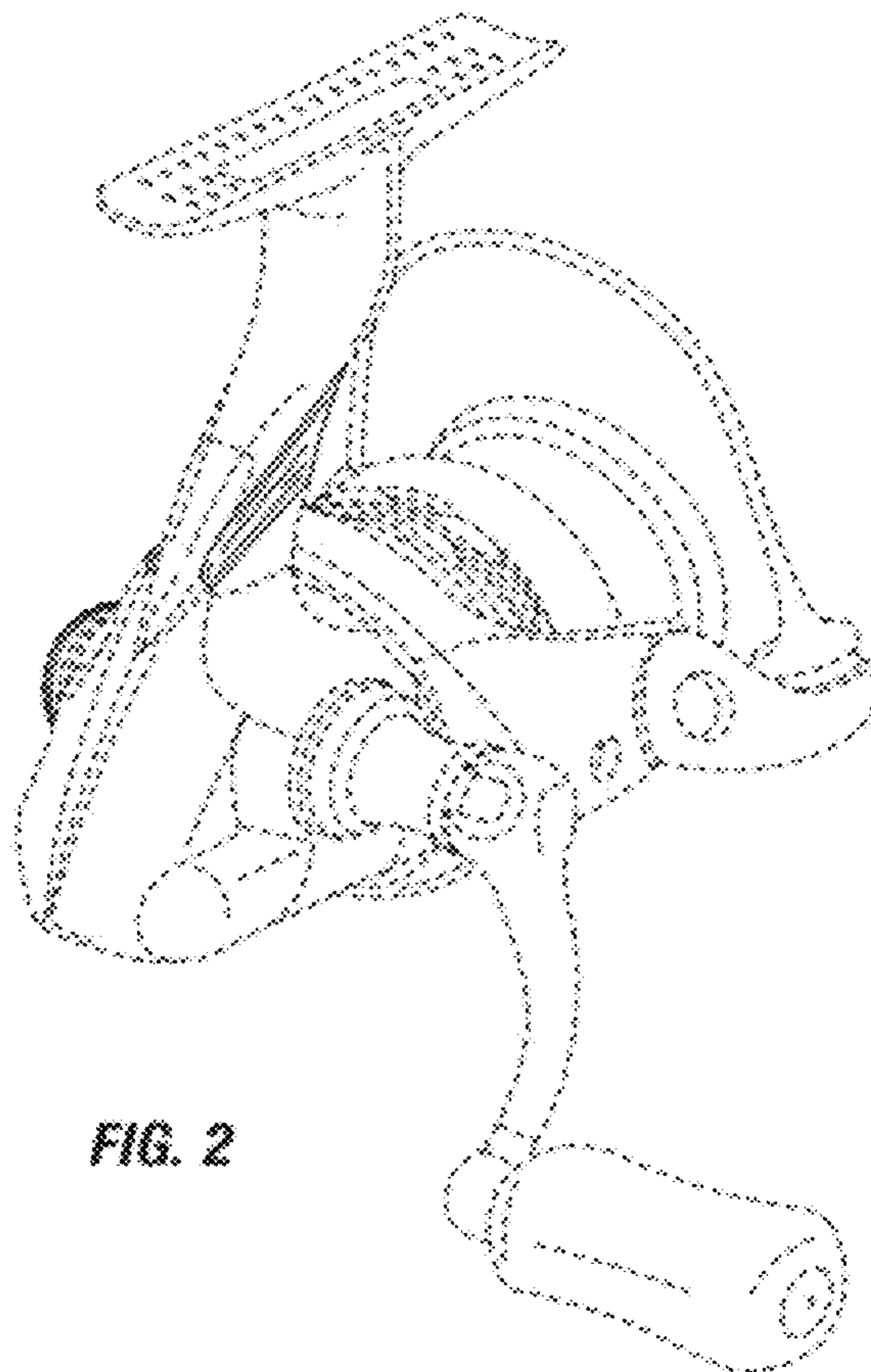


FIG. 2

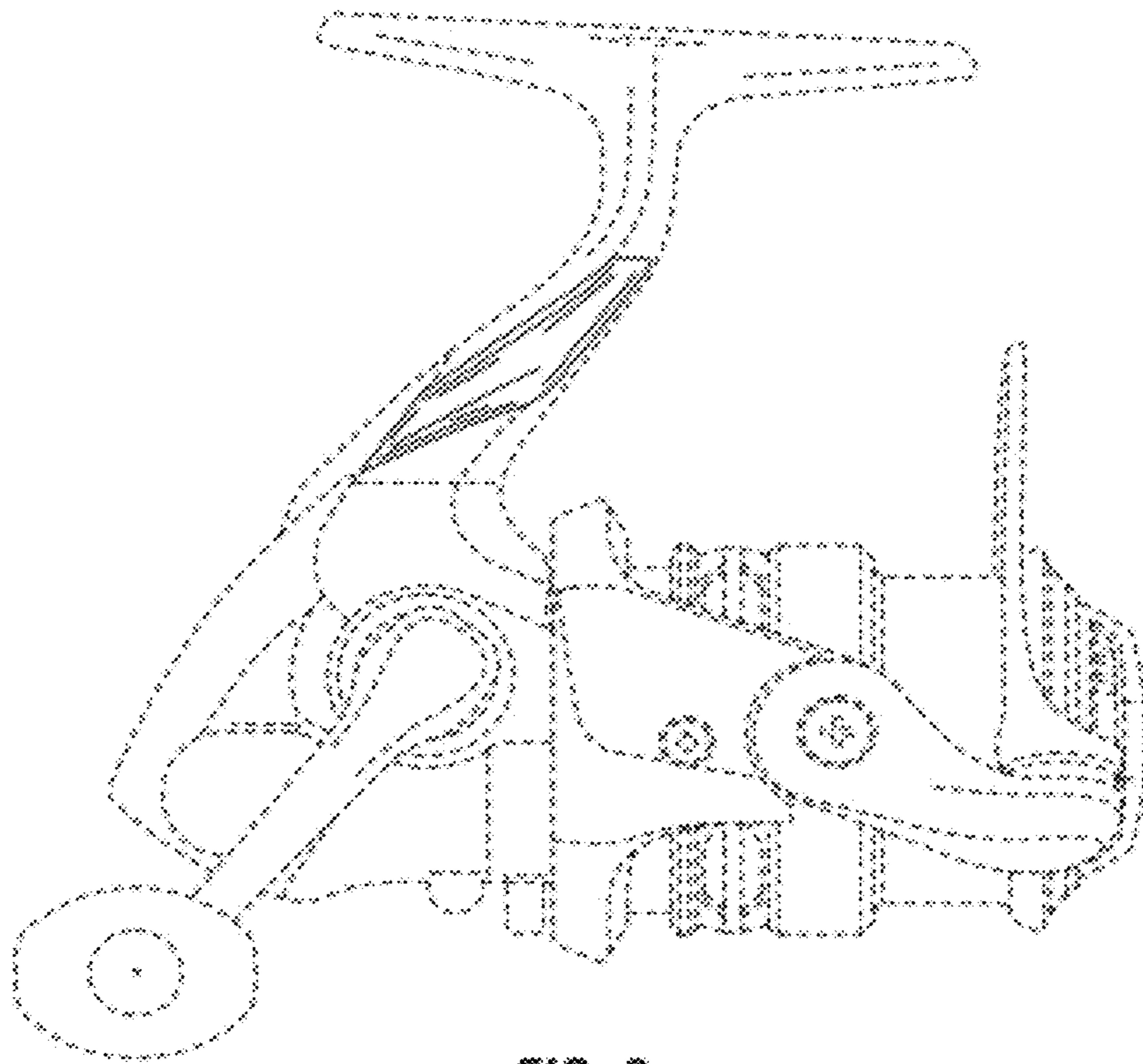


FIG. 3

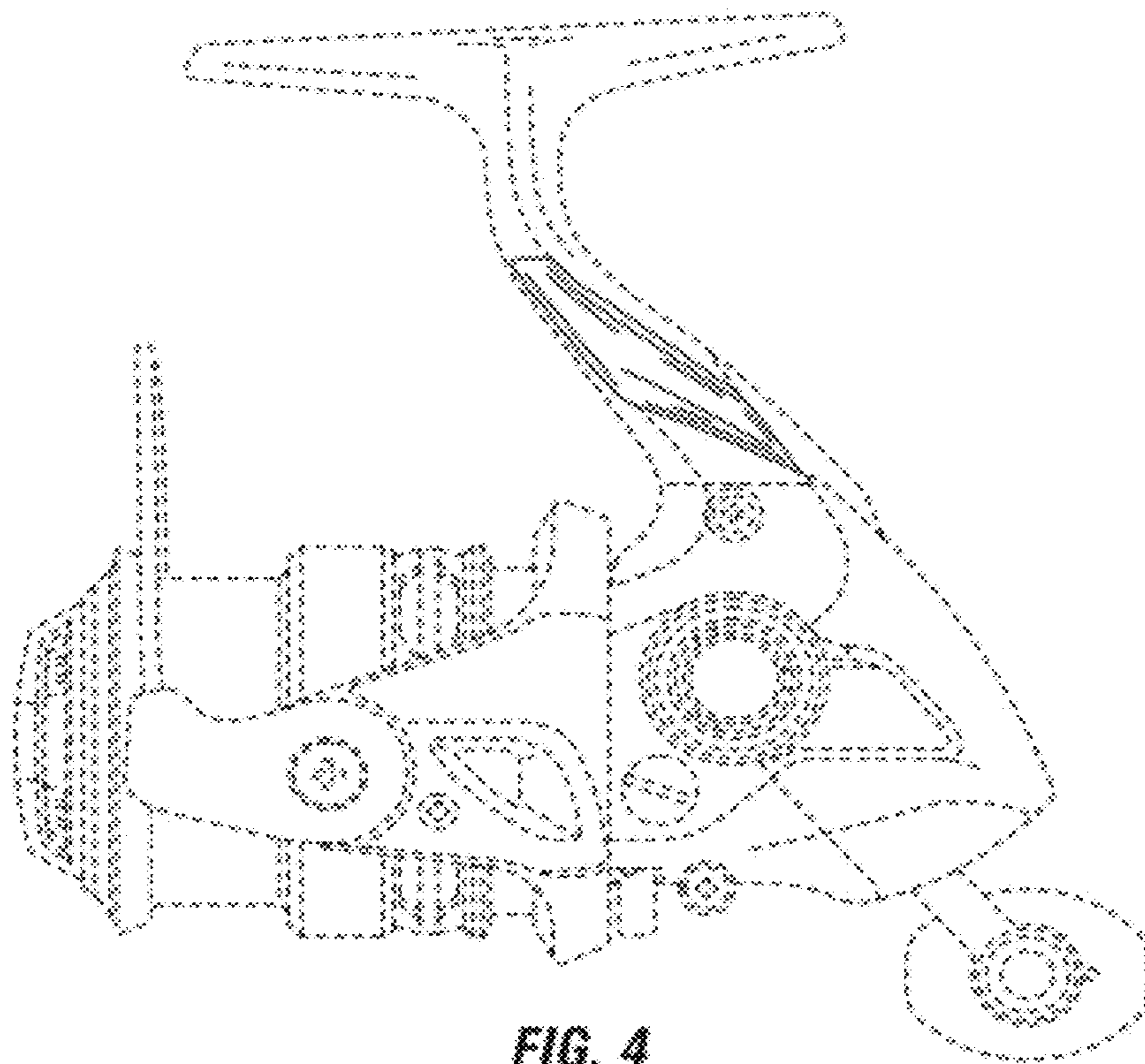


FIG. 4

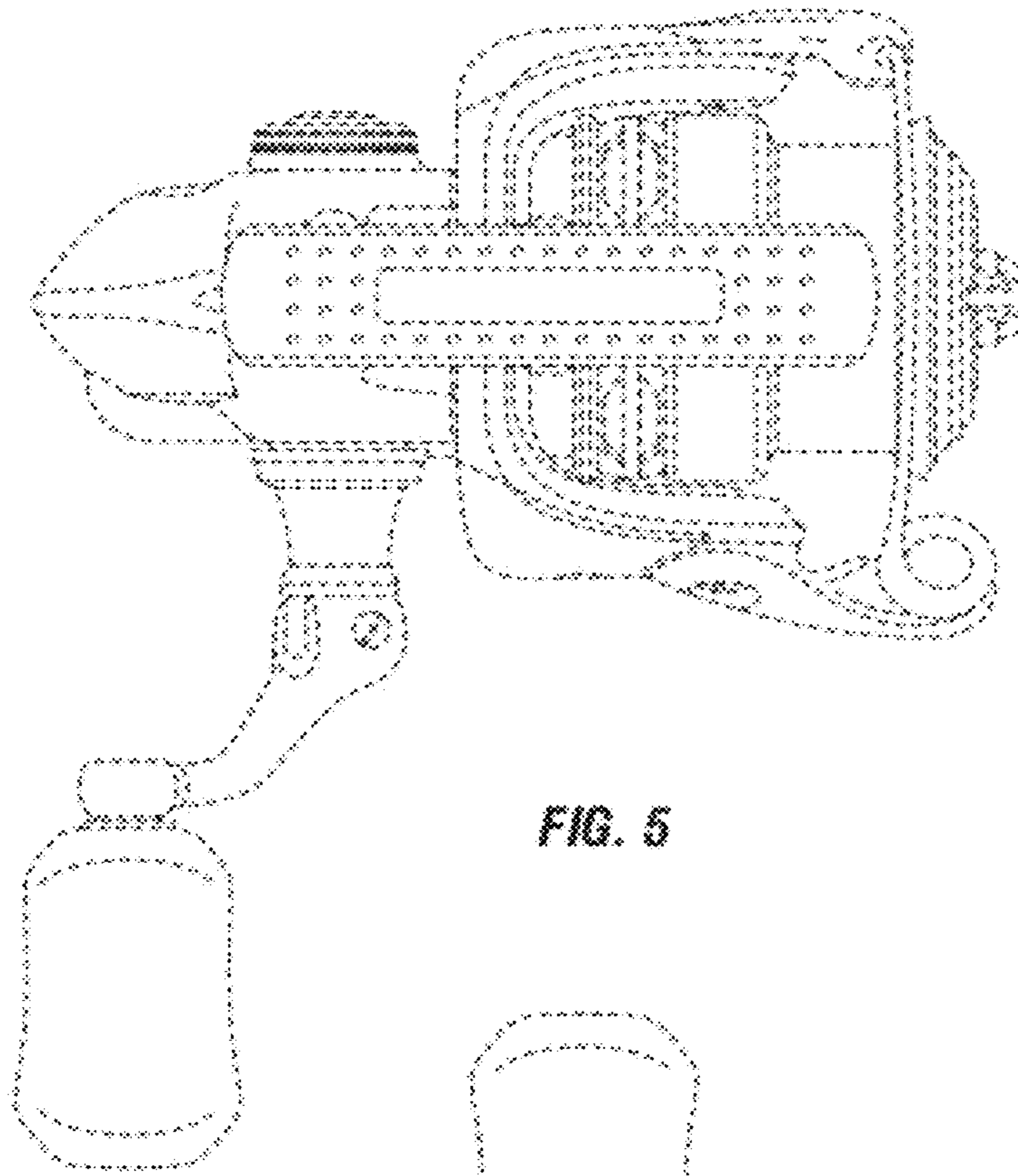


FIG. 5

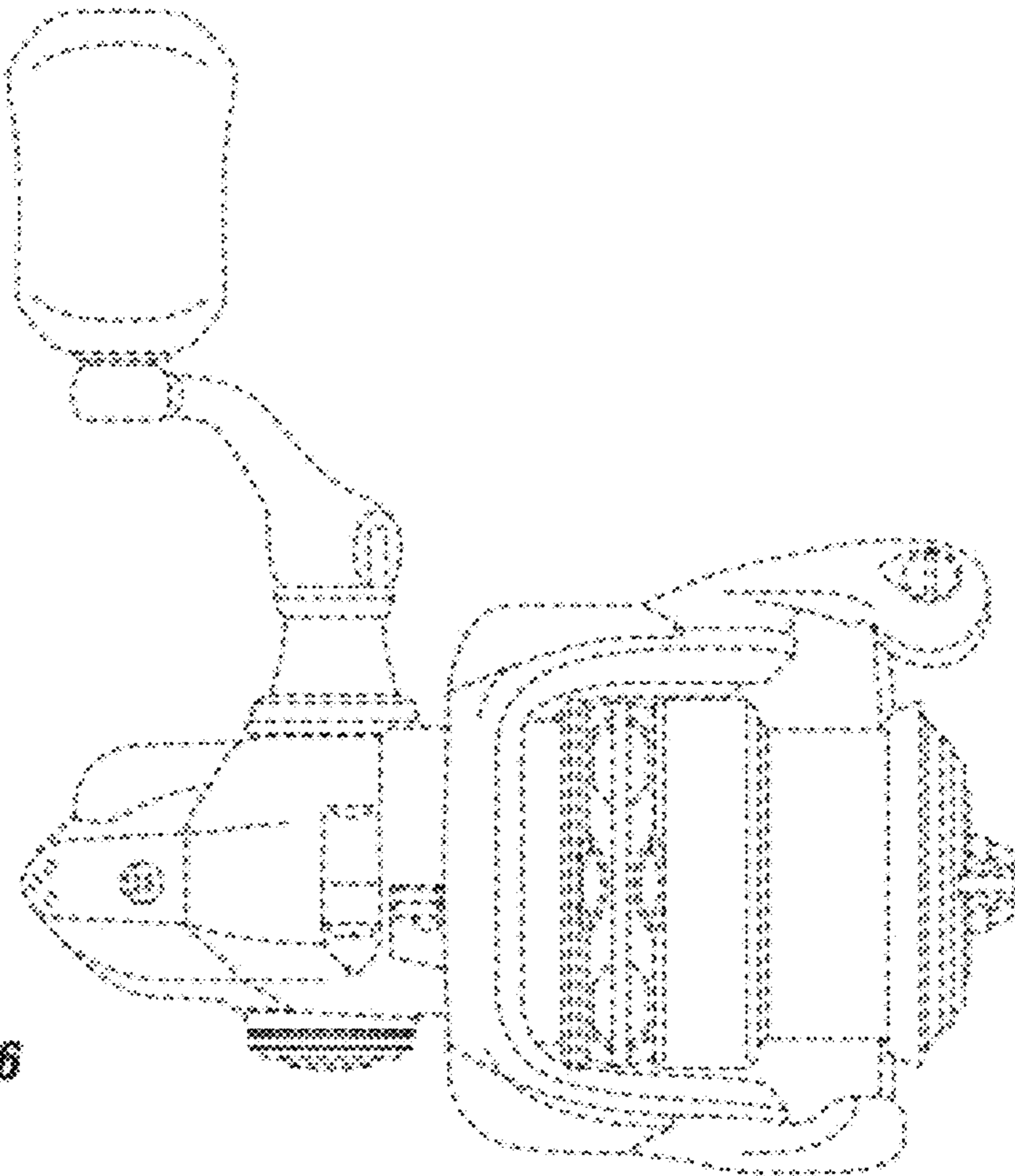
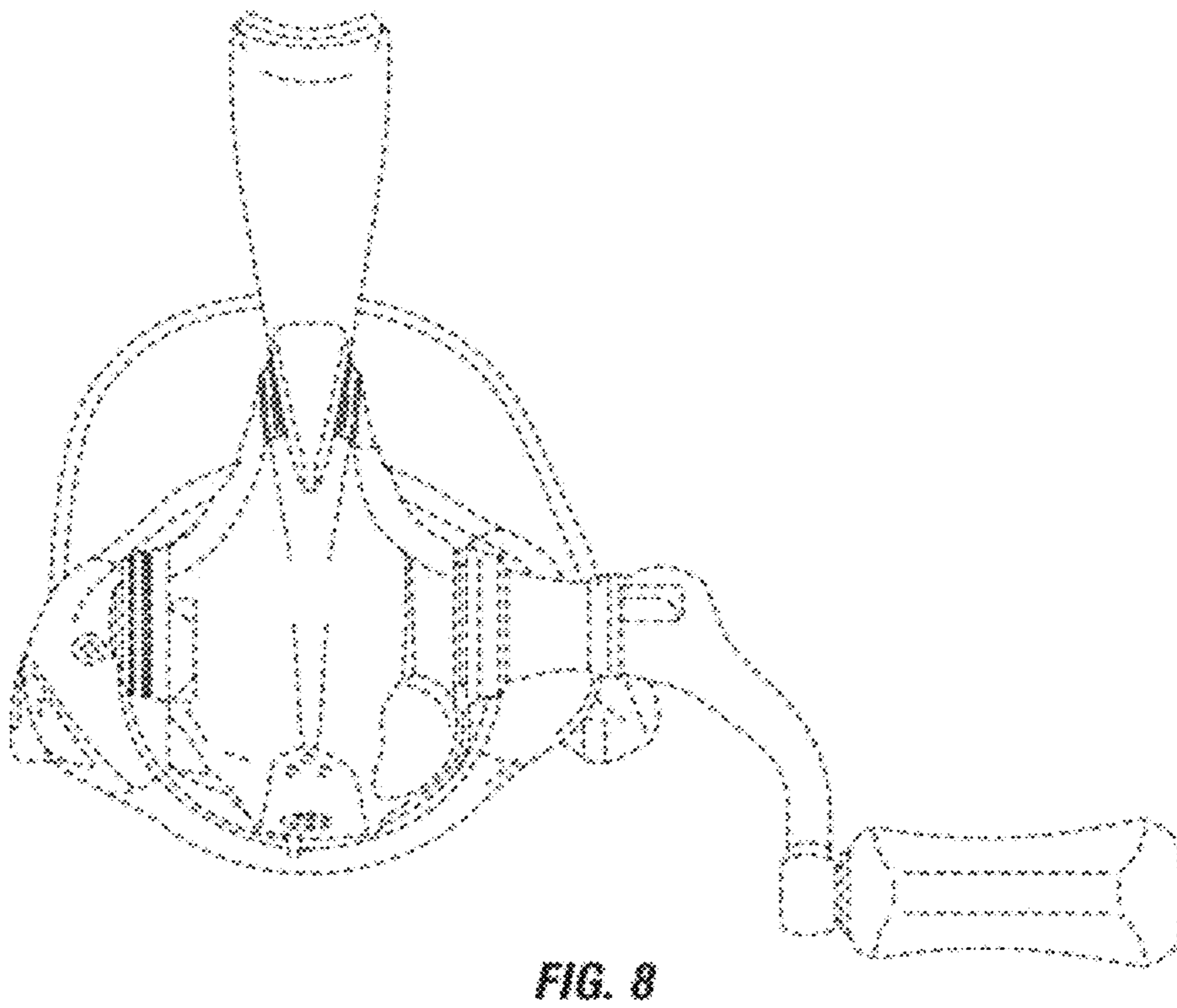
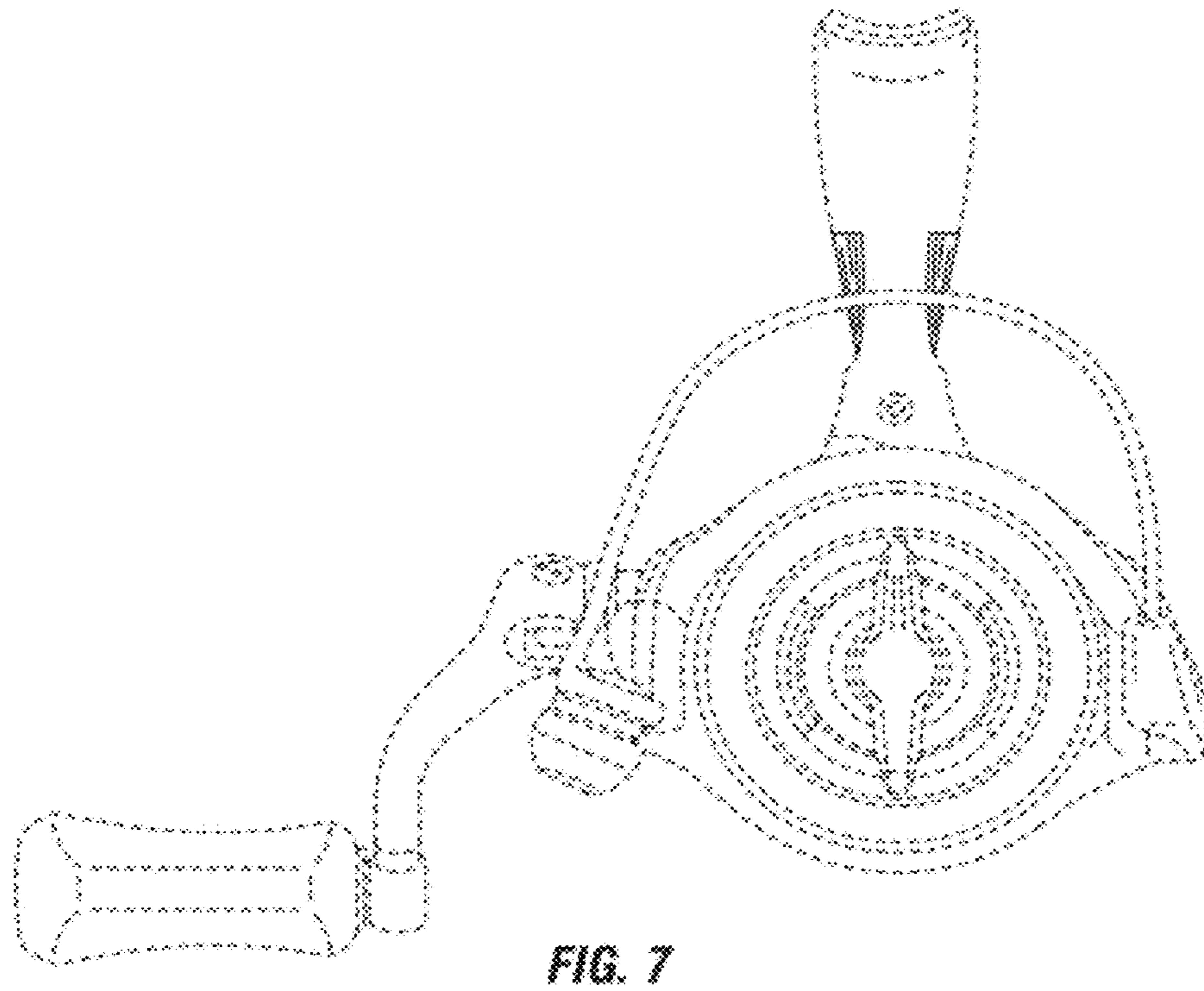


FIG. 6



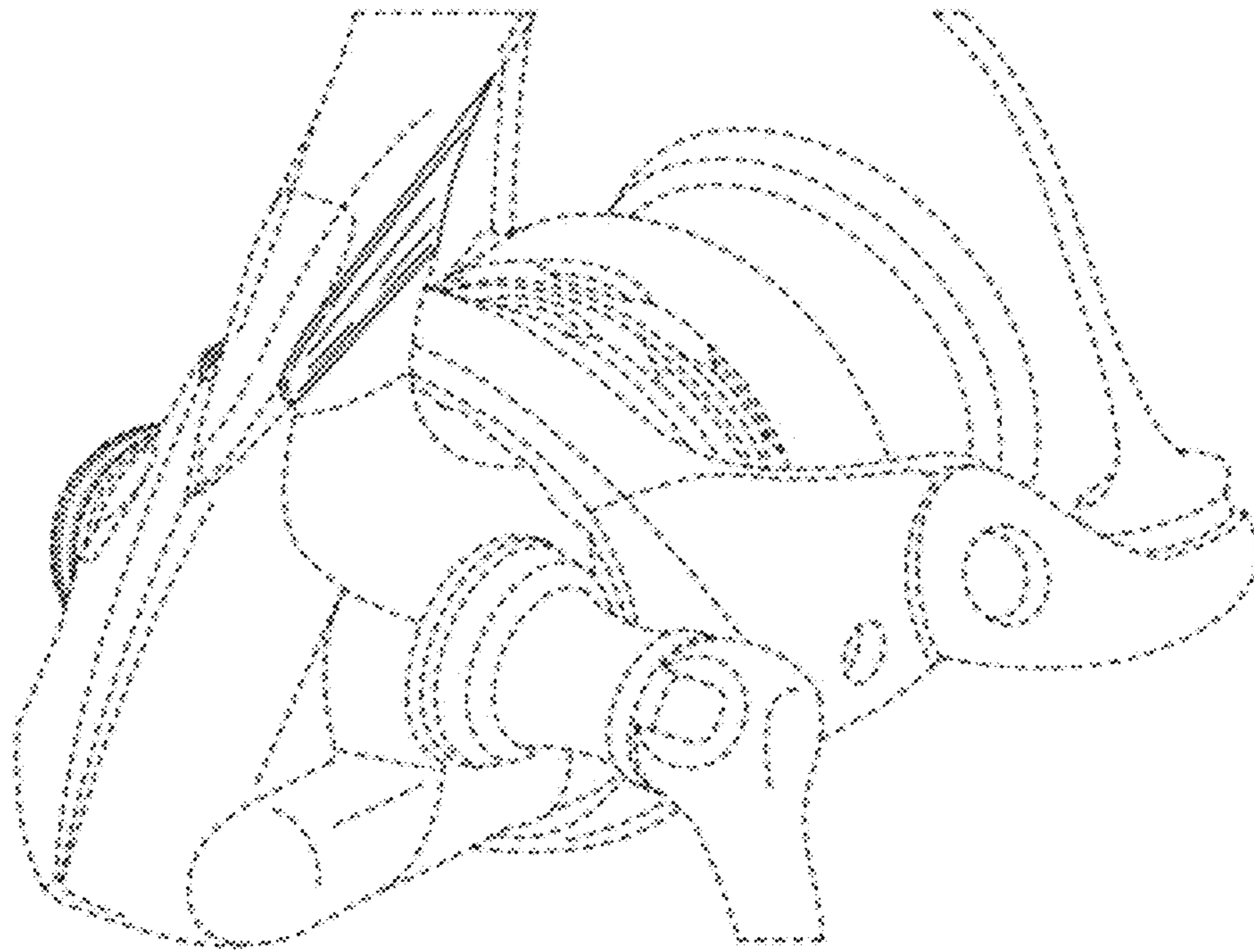


FIG. 9

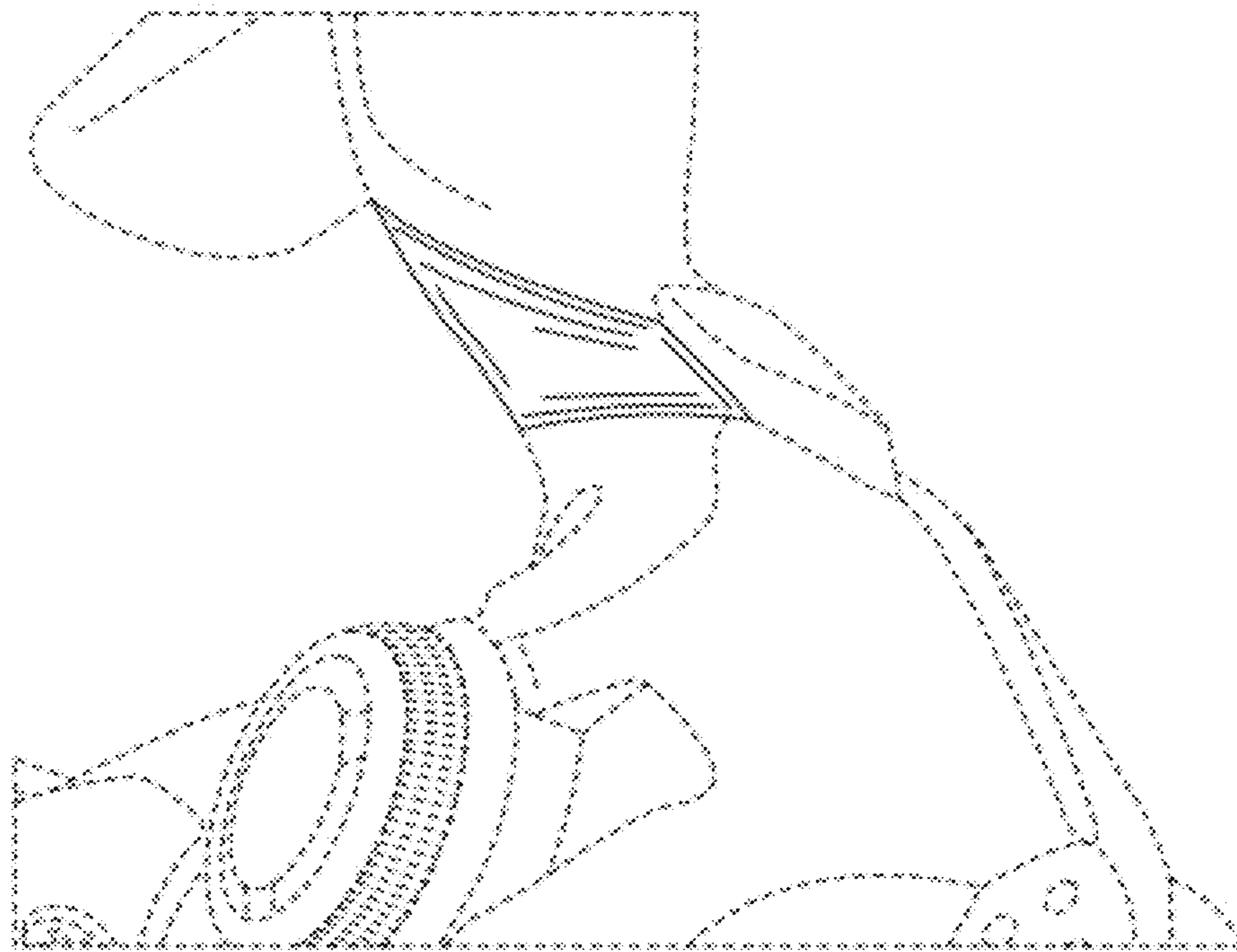


FIG. 10

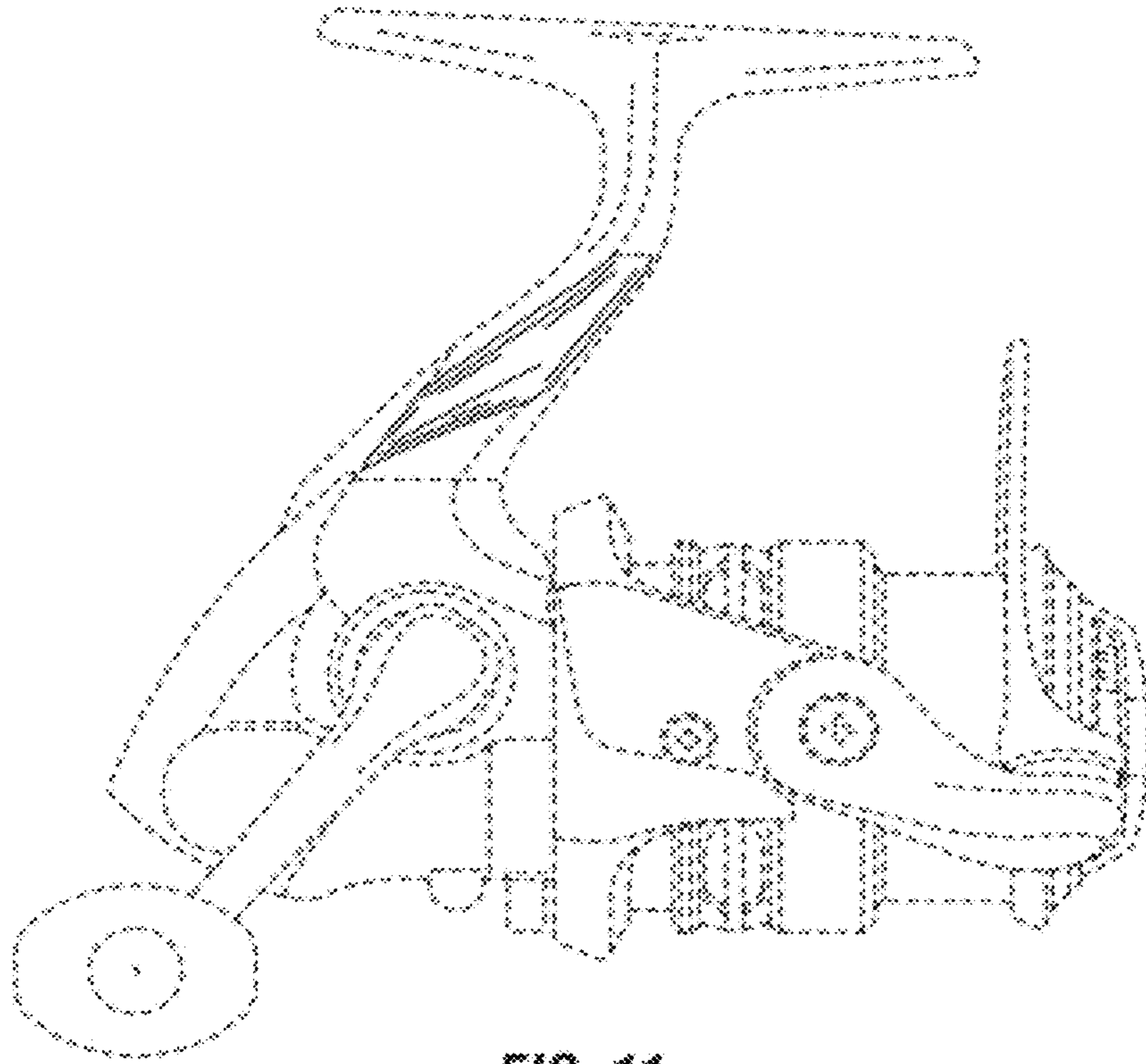


FIG. 11

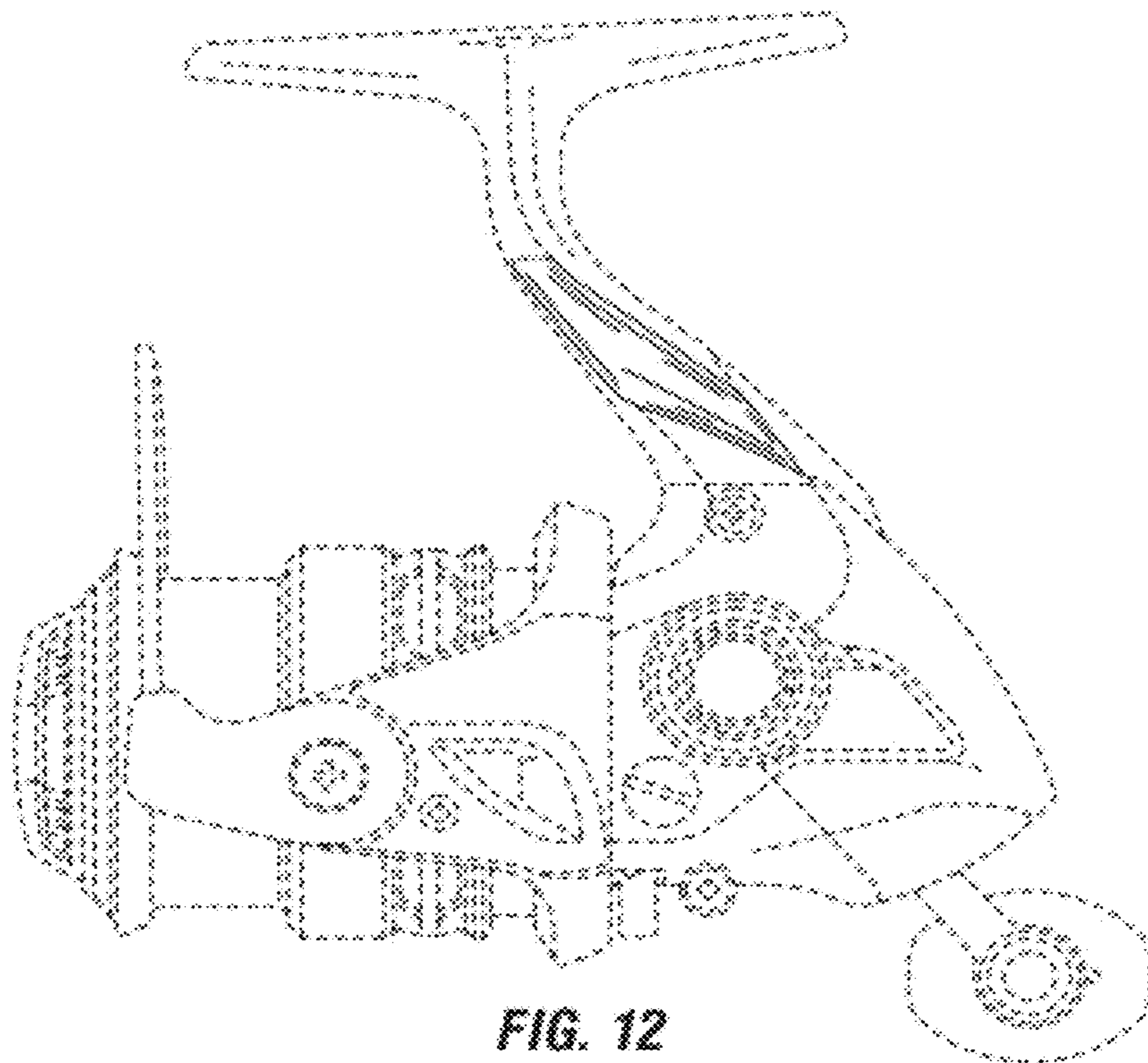


FIG. 12